



US00D706037S

(12) **United States Design Patent**
Weaver et al.

(10) **Patent No.:** **US D706,037 S**
(45) **Date of Patent:** **** Jun. 3, 2014**

(54) **HEAD OF A CLEANING DEVICE**

(71) Applicant: **Quickie Manufacturing Corporation**,
Cinnaminson, NJ (US)

(72) Inventors: **Jace Weaver**, Gilberstville, PA (US);
Michael Schiavo, Mt. Ephraim, NJ (US)

(73) Assignee: **Quickie Manufacturing Corporation**,
Cinnaminson, NJ (US)

(**) Term: **14 Years**

(21) Appl. No.: **29/452,800**

(22) Filed: **Apr. 22, 2013**

(51) **LOC (10) Cl.** **04-01**

(52) **U.S. Cl.**

USPC **D4/118**; D4/130; D4/199; D32/50

(58) **Field of Classification Search**

CPC A61B 1/00; A61B 5/0095; A61B 7/04;
A61B 7/046; A61B 7/048; A61B 15/00;
A61B 15/0055; A61B 15/0081; A61B 17/08;
A61B 2200/30; A61B 2200/302; A61B
2200/3026; A61B 2200/3033; A61B
2200/3046; A61B 2200/306; A61B 2200/308;
A47L 13/06; A47L 13/10; A47L 13/12

USPC D4/118, 130, 132, 135, 138, 199;
D32/40, 50, 52; 15/111, 143.1, 146,
15/159.1, 160, 171, 175, 176.1, 176.2,
15/176.4, 176.5, 176.6

See application file for complete search history.

(56) **References Cited**

U.S. PATENT DOCUMENTS

3,682,516 A * 8/1972 Savage 403/189
4,785,489 A * 11/1988 Von Doehren 15/111
D412,248 S * 7/1999 Berti D4/199
D439,055 S * 3/2001 Hay D4/132
D487,973 S * 4/2004 Vosbikian D4/132
D692,243 S * 10/2013 Weaver et al. D4/199

FOREIGN PATENT DOCUMENTS

FR 2241189 A * 3/1975 A47L 13/12
WO WO 2005/079628 A1 * 9/2005 A46B 17/08

OTHER PUBLICATIONS

DE 40603004-0011 Registered Design, (Braun GmbH) Oct. 10,
2006, [online], [retrieved on Sep. 27, 2013]. Retrieved from the
Designs Register of the German Patent and Trade Mark Office using
the Internet: <URL: http://register.dmpa.de>.*

EU 847561-0001, Registered Design, (Aledin Bürsten Und
Besenfabrik) Jan. 29, 2008, [online], [retrieved on Mar. 10, 2014]
Retrieved from the Questel Intellectual Property Portal Design Data-
base using the Internet: <URL: http://www.orbit.com>.*

(Continued)

Primary Examiner — Melanie H Tung

Assistant Examiner — Lavone D Tabor

(74) *Attorney, Agent, or Firm* — Jason F. Cotter; Gregory J.
Winsky; Archer & Greiner, P.C.

(57) **CLAIM**

The ornamental design for a head of a cleaning device, as
shown and described.

DESCRIPTION

FIG. 1 is a perspective view of a head of a cleaning device
showing our new design;

FIG. 2 is a top plan view thereof;

FIG. 3 is a bottom plan view thereof;

FIG. 4 is a right side elevational view thereof;

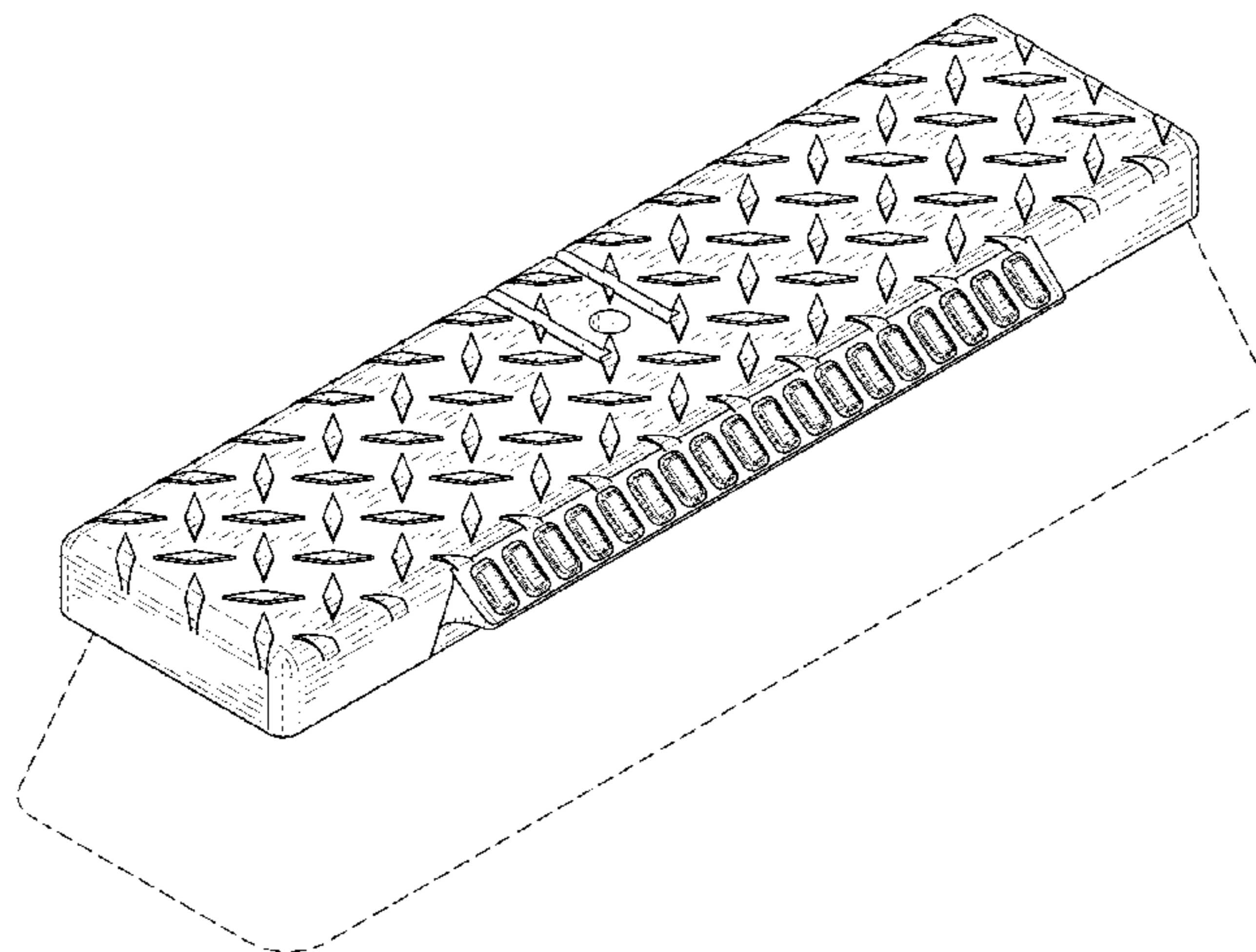
FIG. 5 is a left side elevational view thereof;

FIG. 6 is a front elevational view thereof; and,

FIG. 7 is a rear elevational view thereof.

The broken lines shown in the drawings represent unclaimed
portions of the head of a cleaning device and form no part of
the claimed design.

1 Claim, 4 Drawing Sheets



(56)

References Cited

OTHER PUBLICATIONS

WIPO DM/062444, Registered Design No. 5, (Noelle Group GmbH & Co.) Feb. 28, 2003, [online], [retrieved on Mar. 10, 2014] Retrieved

from the Hague Express Design Database of the World Intellectual Property Organization using the Internet: <URL: <http://www.wipo.int>>.*

* cited by examiner

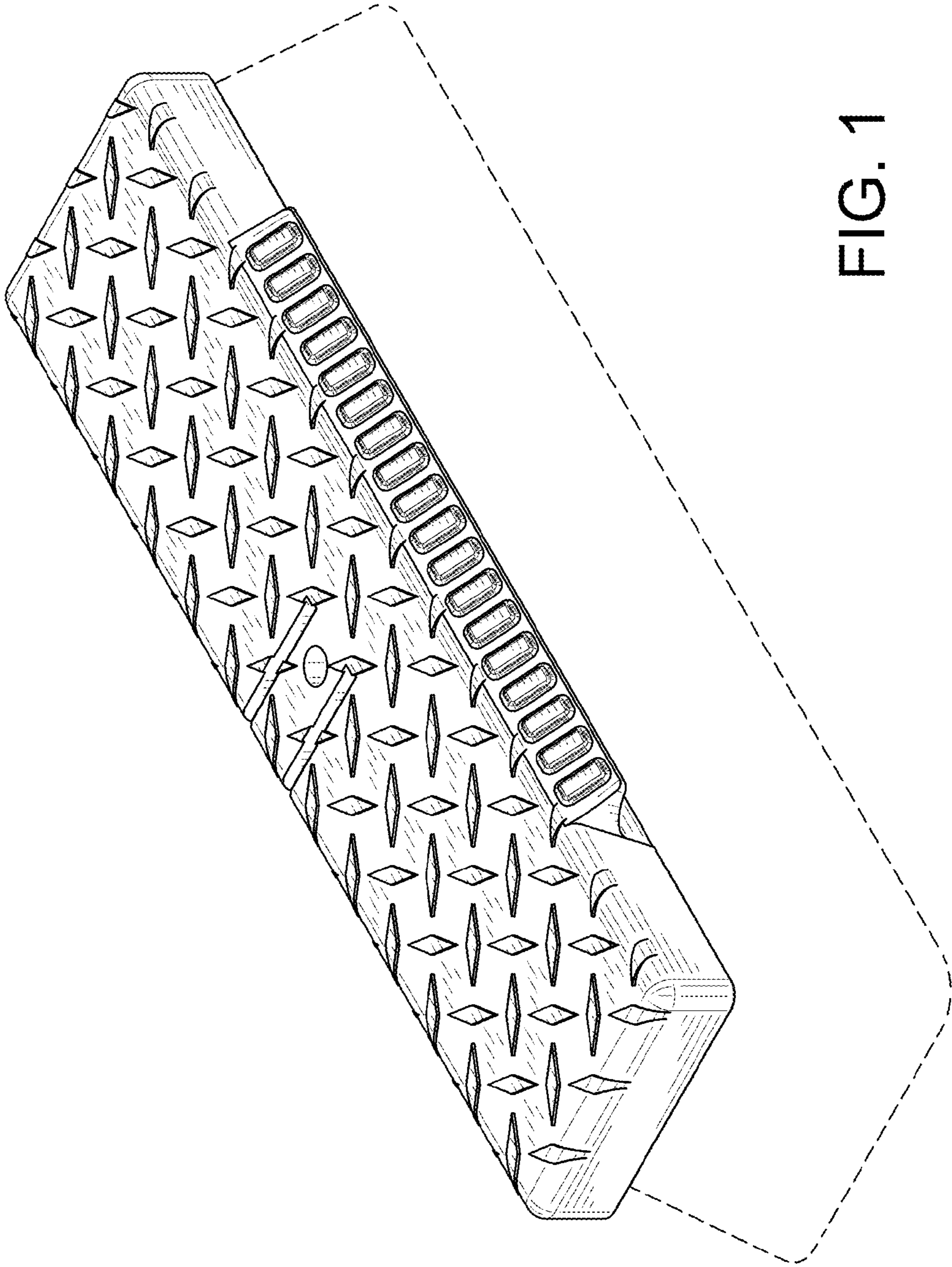


FIG. 1

FIG. 2

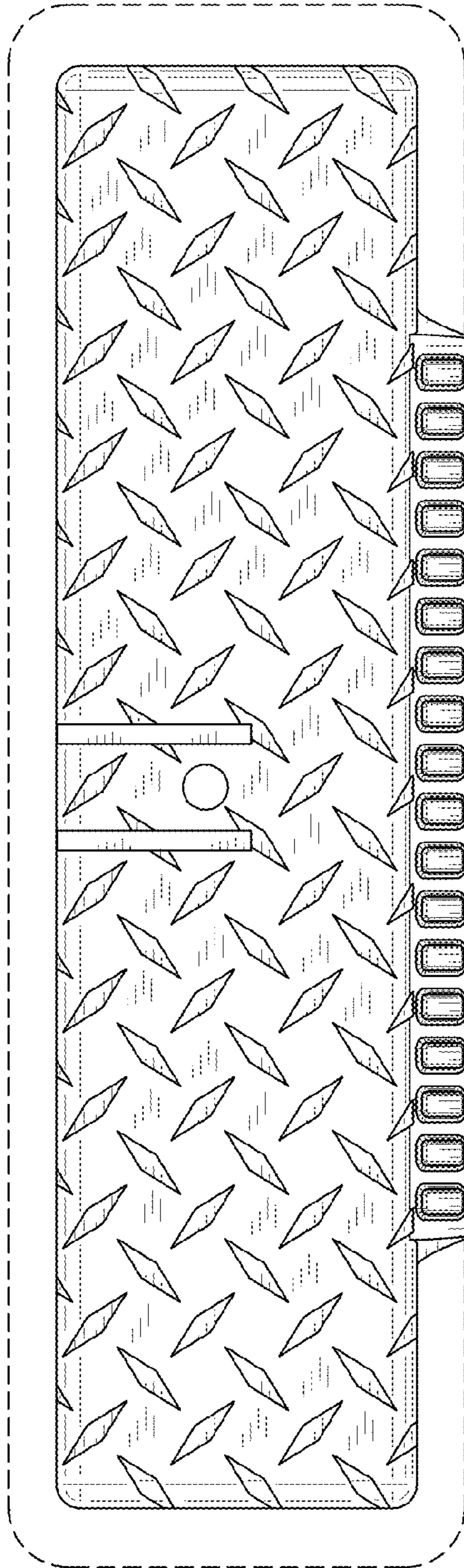
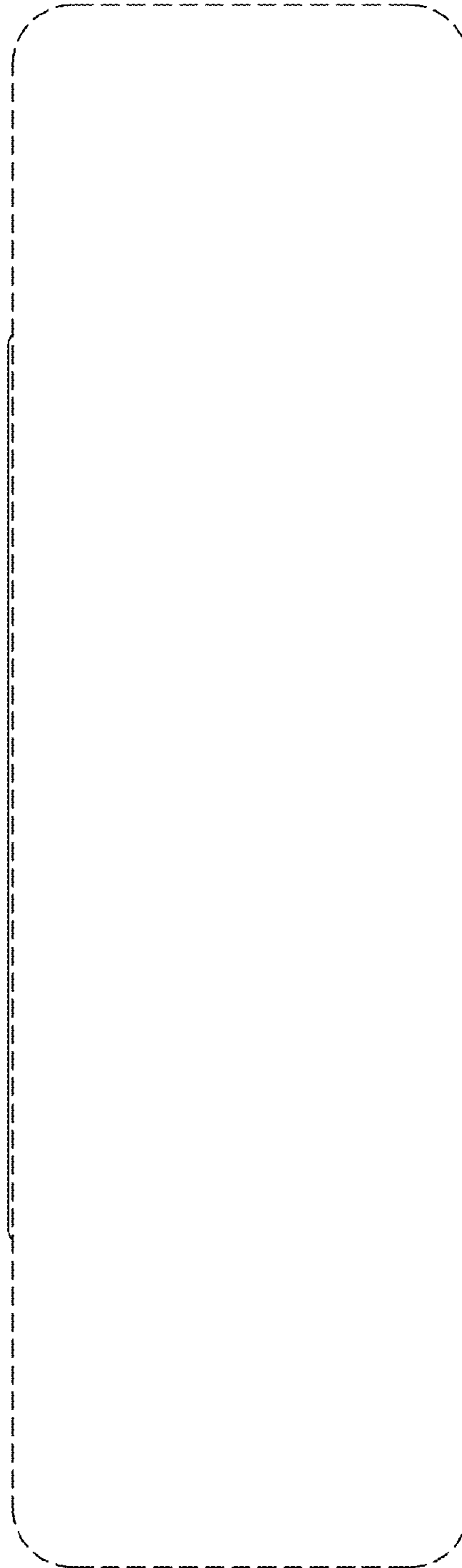


FIG. 3



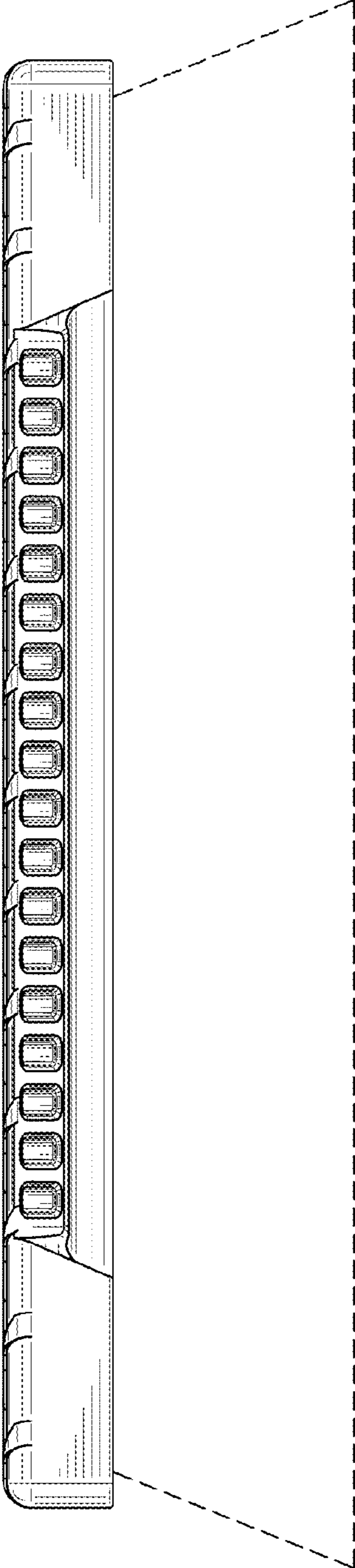


FIG. 4

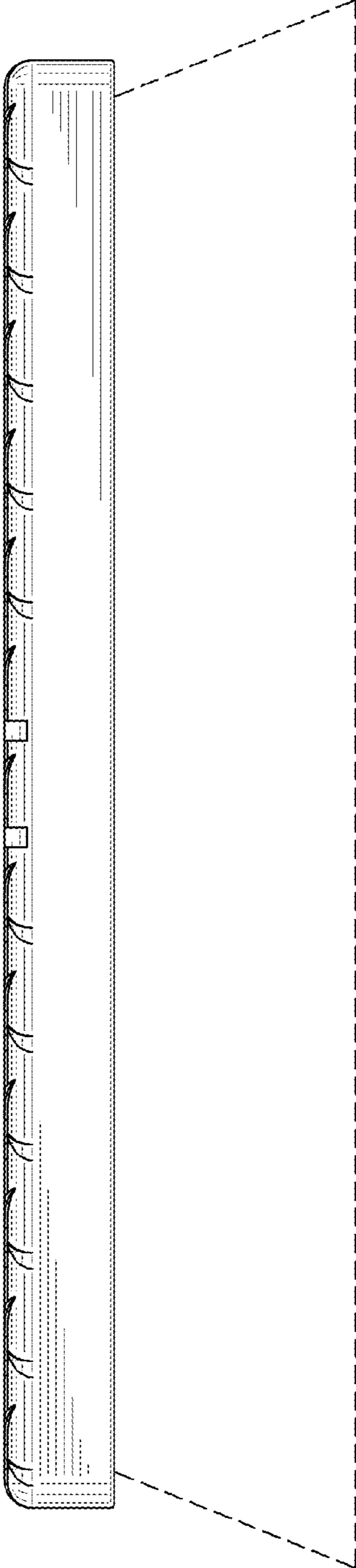


FIG. 5

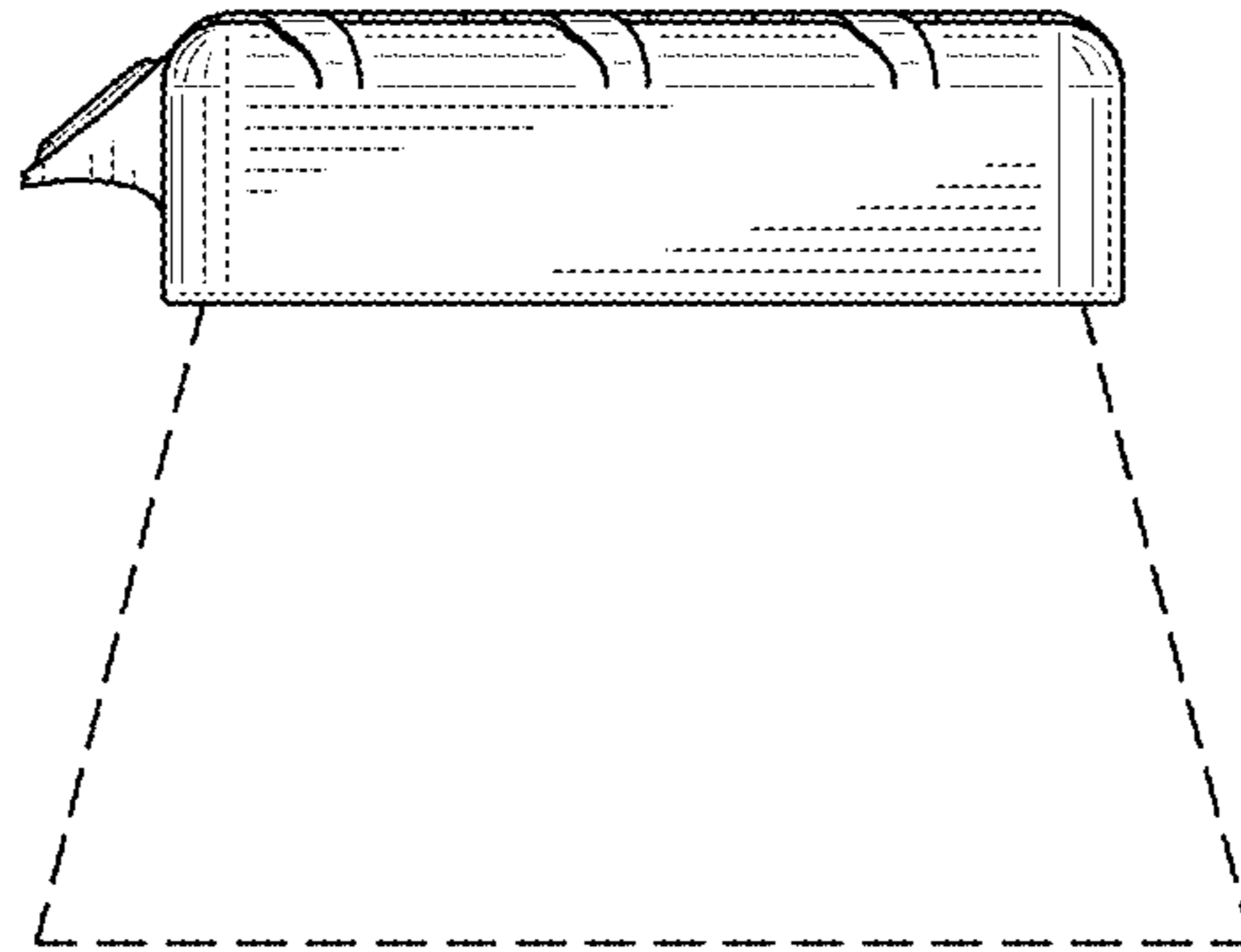


FIG. 6

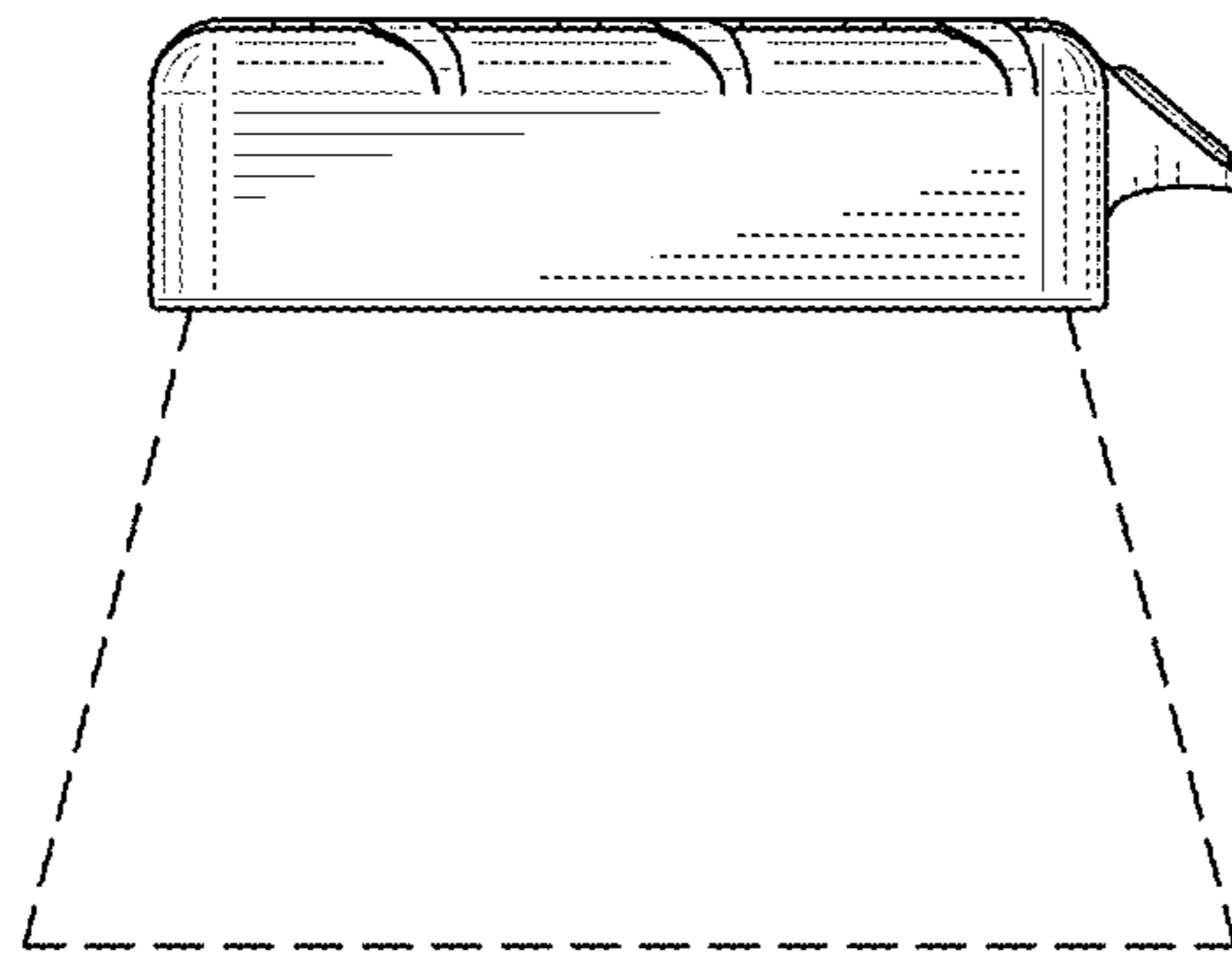


FIG. 7