



US00D706033S

(12) **United States Design Patent**
Dickie et al.

(10) **Patent No.:** **US D706,033 S**
(45) **Date of Patent:** **** Jun. 3, 2014**

- (54) **BRUSH HEAD FOR ELECTRIC TOOTHBRUSH**
- (71) Applicants: **Robert G. Dickie**, King City (CA);
Shahram Nabavi, King City (CA)
- (72) Inventors: **Robert G. Dickie**, King City (CA);
Shahram Nabavi, King City (CA)
- (73) Assignee: **Brushpoint Innovations Inc**, King City,
Ontario (CA)
- (**) Term: **14 Years**
- (21) Appl. No.: **29/467,122**
- (22) Filed: **Sep. 16, 2013**

D307,216 S	4/1990	Yuen
D326,778 S	6/1992	Vetter
5,142,724 A	9/1992	Park
5,289,604 A	3/1994	Kressner
5,416,942 A	5/1995	Baldacci et al.
5,467,495 A	11/1995	Boland et al.
5,499,420 A	3/1996	Boland
5,577,285 A	11/1996	Drossler
5,625,916 A	5/1997	McDougall
5,652,990 A	8/1997	Driesen et al.
5,732,433 A	3/1998	Gocking et al.
5,867,856 A	2/1999	Herzog
5,926,897 A	7/1999	Volpenhein
6,018,840 A	2/2000	Guay et al.
6,021,538 A	2/2000	Kressner et al.
6,035,476 A	3/2000	Underwood et al.
6,058,541 A	5/2000	Masterman et al.
6,178,583 B1	1/2001	Volpenhein
6,195,828 B1	3/2001	Fritsch
6,308,359 B2	10/2001	Fritsch et al.
6,360,395 B2	3/2002	Blaustein et al.

(Continued)

Related U.S. Application Data

- (63) Continuation-in-part of application No. 29/445,856,
filed on Feb. 18, 2013, now Pat. No. Des. 689,698.
- (51) **LOC (10) Cl.** **04-02**
- (52) **U.S. Cl.**
USPC **D4/101; D4/111**
- (58) **Field of Classification Search**
USPC D4/101, 104-112; 15/110, 167.1,
15/167.2, 176.1, 188, 207.2;
132/308-311; 601/139, 141, 142
See application file for complete search history.

Primary Examiner — Melanie H Tung
Assistant Examiner — Lavone D Tabor

(74) *Attorney, Agent, or Firm* — Sand & Sebolt

(57) **CLAIM**

The ornamental design for a brush head for electric toothbrush, as shown and described.

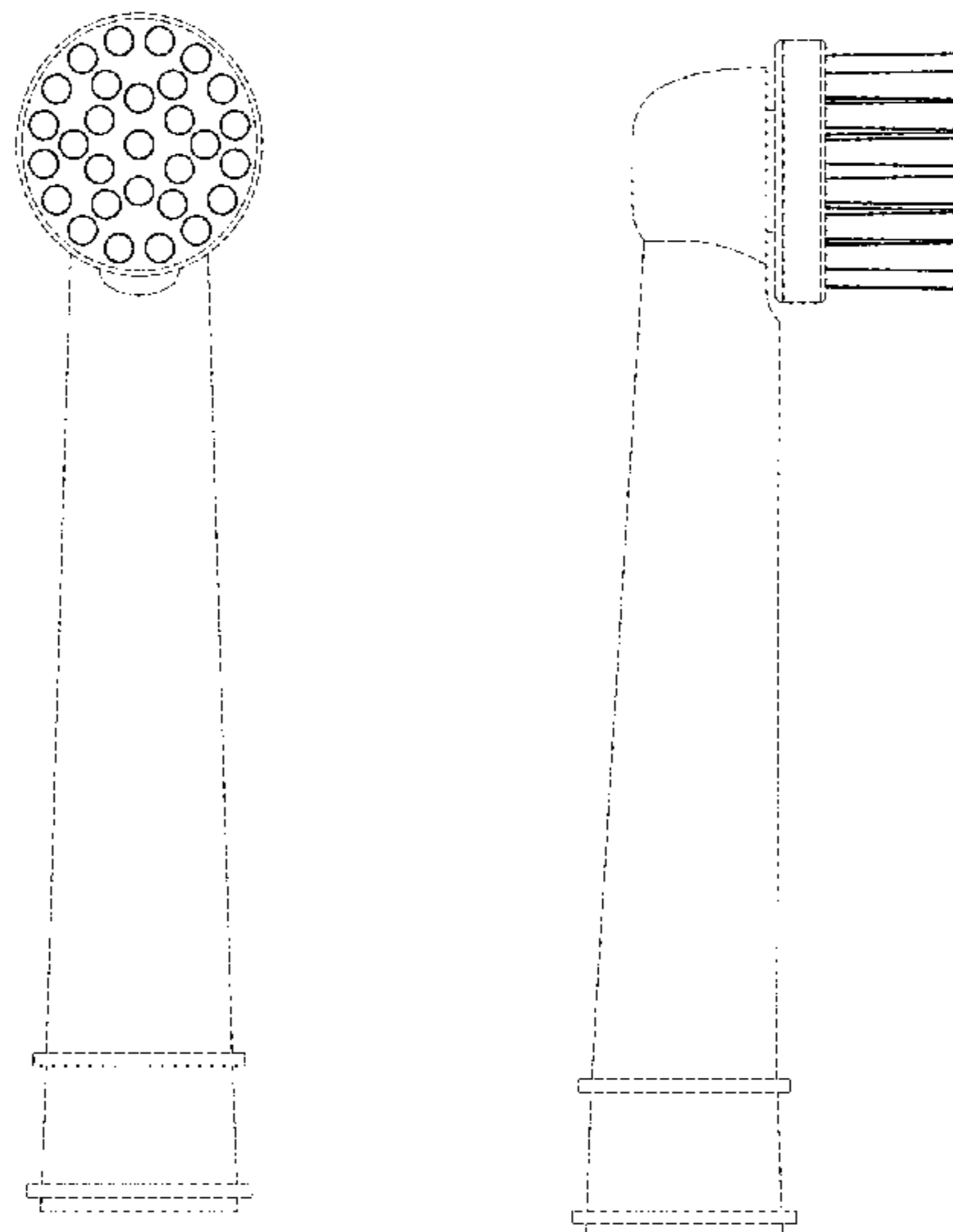
DESCRIPTION

FIG. 1 is a perspective view of a brush head for electric toothbrush showing our new design.
 FIG. 2 is a front elevational view of our brush head.
 FIG. 3 is a rear elevational view thereof.
 FIG. 4 is a left side elevational view thereof.
 FIG. 5 is a right side elevational view thereof.
 FIG. 6 is an enlarged top plan view thereof; and,
 FIG. 7 is an enlarged bottom plan view thereof.
 The broken lines illustrate portions of the brush head for electric toothbrush that form no part of the claimed design.

1 Claim, 4 Drawing Sheets

(56) **References Cited**
U.S. PATENT DOCUMENTS

2,080,605 A	5/1937	Duey
2,140,307 A	12/1938	Belaschk et al.
2,155,245 A	4/1939	Sekine
2,558,332 A	6/1951	Artale
D266,116 S	9/1982	Deconinck
4,399,582 A	8/1983	Ernest et al.
D295,342 S	4/1988	van Asten
D305,480 S	1/1990	Yuen



(56)

References Cited

U.S. PATENT DOCUMENTS

6,363,565 B1 4/2002 Paffrath
6,367,108 B1 4/2002 Fritsch et al.
6,574,820 B1 6/2003 DePuydt et al.
6,588,042 B2 7/2003 Fritsch et al.
6,665,901 B2 12/2003 Driesen et al.
7,322,066 B2 1/2008 Ping et al.

D577,199 S * 9/2008 Zhuan D4/101
D579,664 S * 11/2008 Fisher et al. D4/101
7,690,067 B2 4/2010 Schaefer et al.
7,698,771 B2 4/2010 Gall
7,934,284 B2 5/2011 Braun et al.
7,941,886 B2 5/2011 Chenvainu et al.
7,958,589 B2 6/2011 Braun et al.
2010/0162499 A1 7/2010 Braun et al.
2010/0162500 A1 7/2010 Hilscher et al.

* cited by examiner

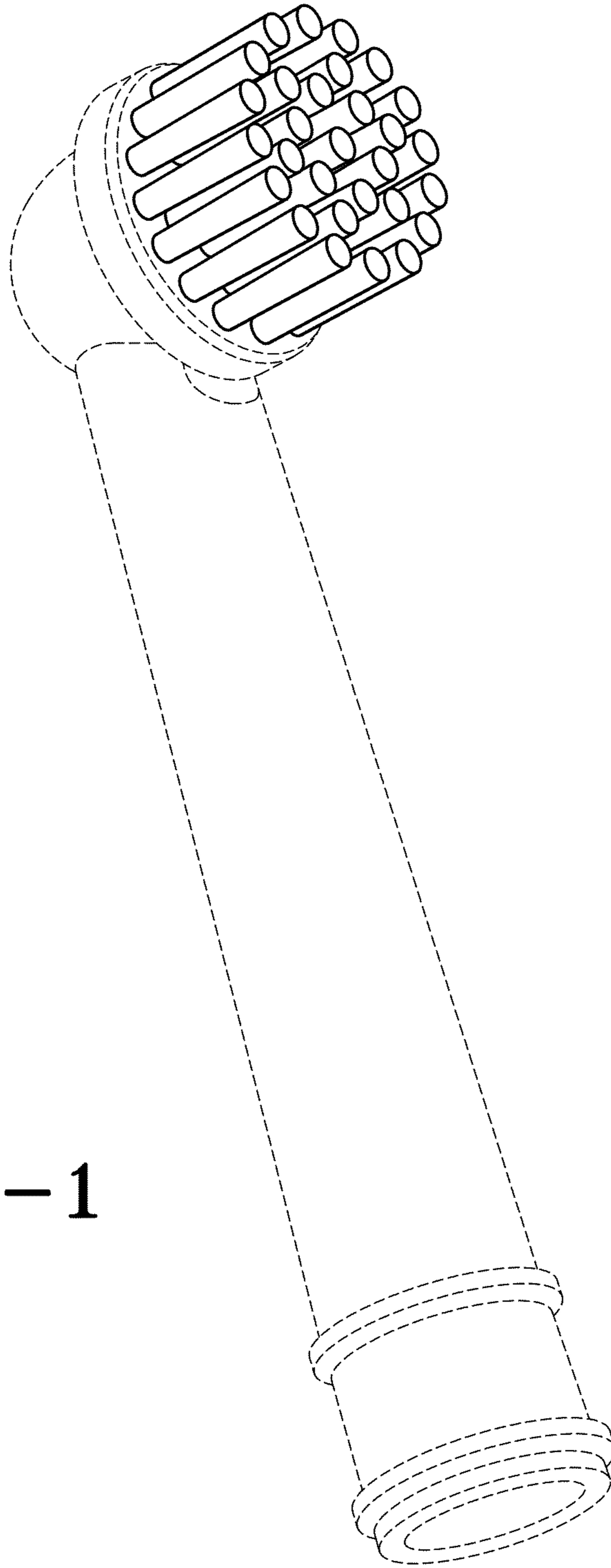


FIG-1

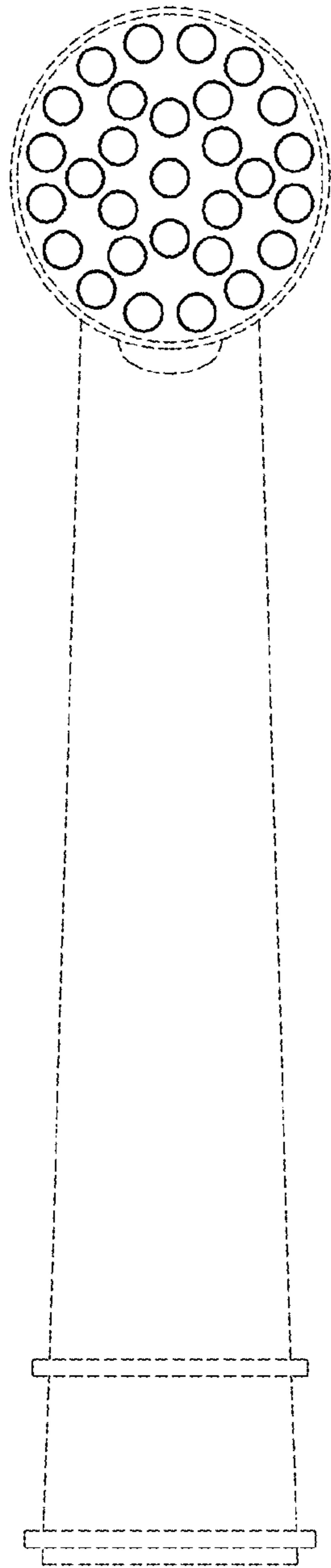


FIG-2

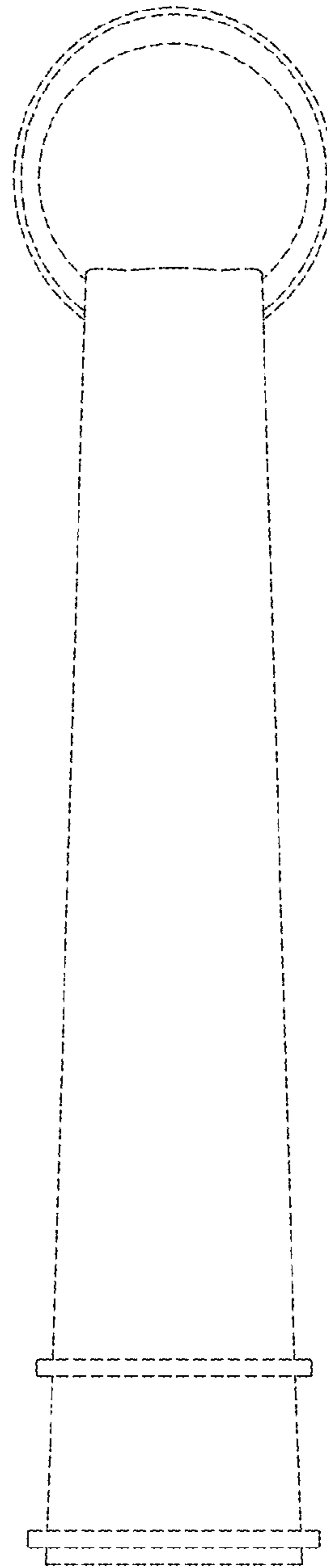


FIG-3

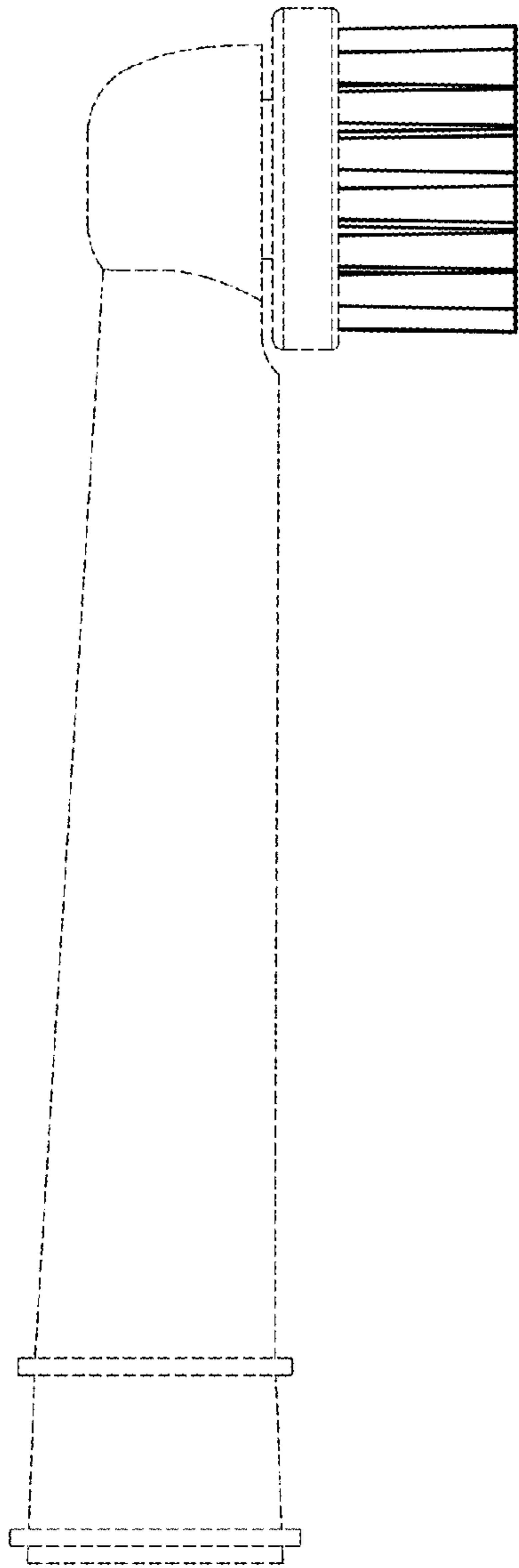


FIG-4

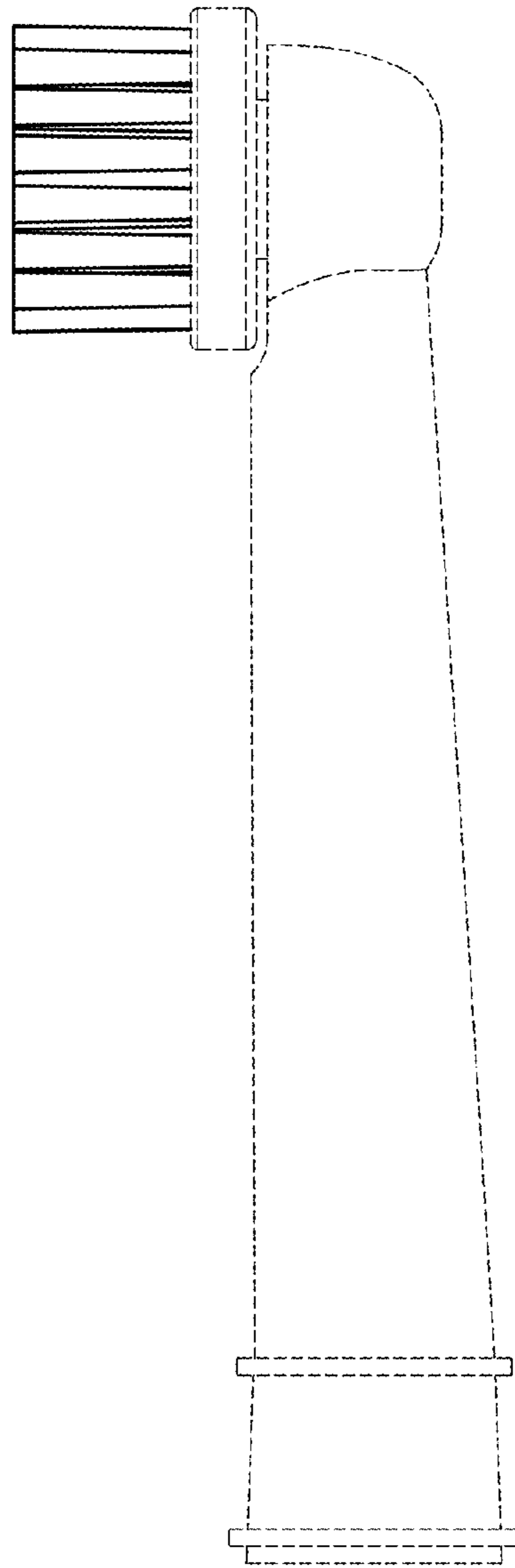


FIG-5

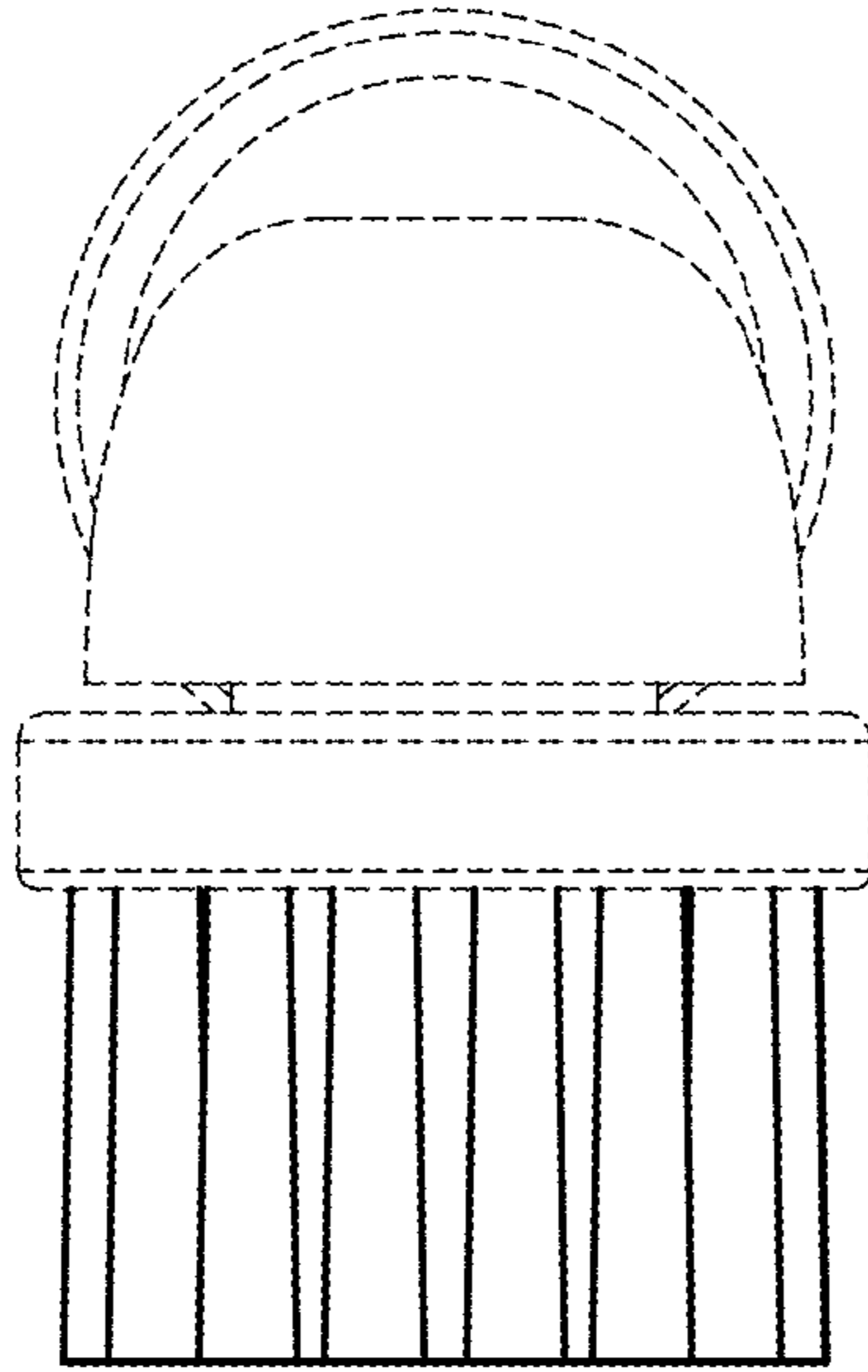


FIG-6

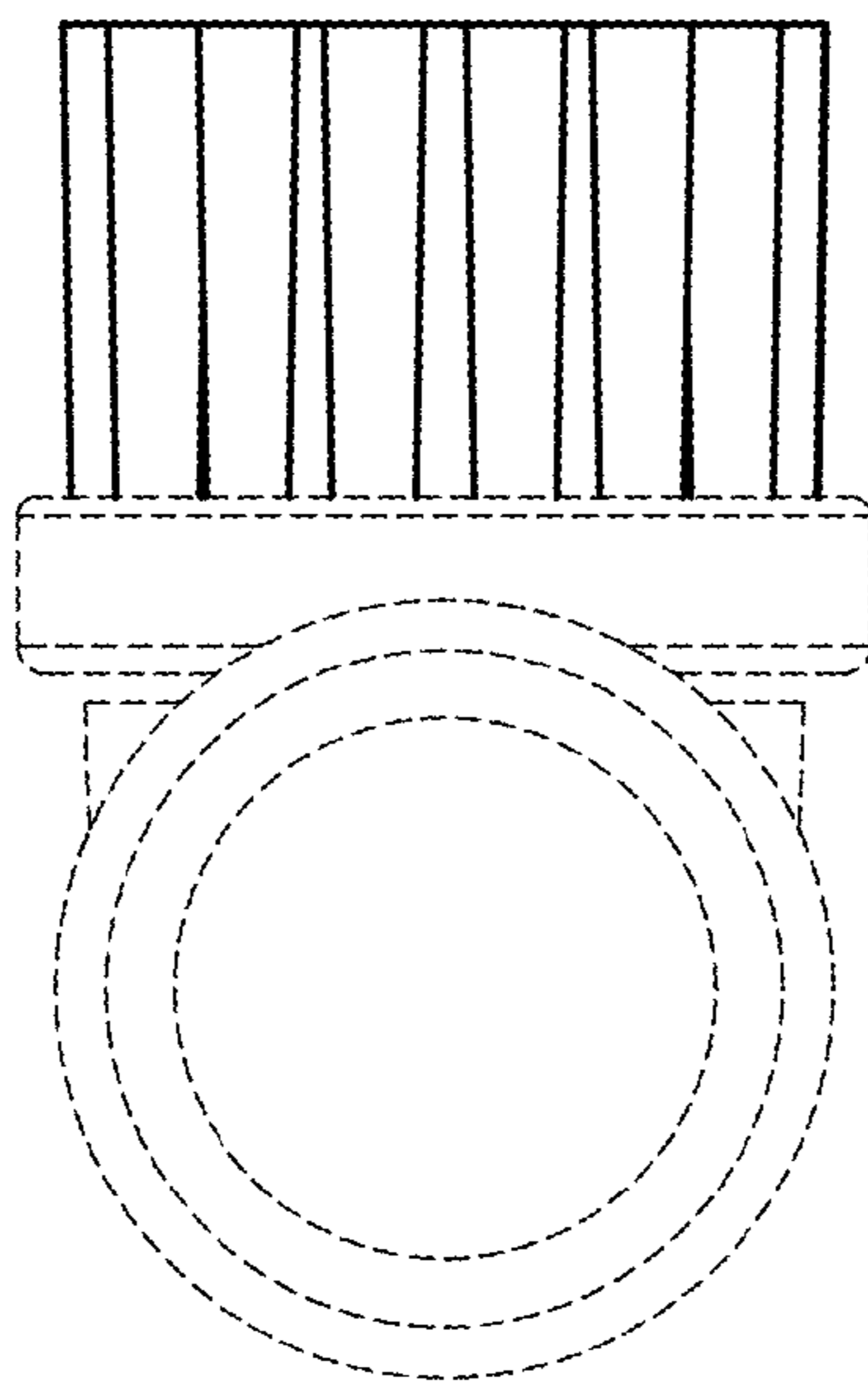


FIG-7