



US00D706032S

(12) **United States Design Patent**  
**Roth et al.**

(10) **Patent No.:** **US D706,032 S**  
(45) **Date of Patent:** **\*\* Jun. 3, 2014**

- (54) **RESEALABLE CONTAINER**
- (71) Applicants: **Donna Roth**, Duxbury, MA (US); **Troy Kyle**, Pembroke, MA (US)
- (72) Inventors: **Donna Roth**, Duxbury, MA (US); **Troy Kyle**, Pembroke, MA (US)
- (73) Assignee: **Cool Gear International LLC**, Plymouth, MA (US)
- (\*\*) Term: **14 Years**
- (21) Appl. No.: **29/472,141**
- (22) Filed: **Nov. 8, 2013**

- D327,218 S 6/1992 Nickerson
- D329,593 S 9/1992 Otsuka
- 5,199,591 A 4/1993 Thibeault et al.
- D347,973 S 6/1994 McBride
- D371,075 S 6/1996 Stonehouse
- D381,046 S 7/1997 Hiers et al.
- D393,730 S 4/1998 Petruzzi
- D396,916 S 8/1998 Ochs, Sr.
- D403,964 S 1/1999 Jansen
- 5,896,990 A 4/1999 Barzana
- D414,435 S 9/1999 Nahon
- D423,778 S 5/2000 Rahal
- D424,438 S 5/2000 Turner et al.
- D426,656 S 6/2000 Hogan
- D432,015 S 10/2000 Holiday
- D444,385 S 7/2001 Dixon
- D447,693 S 9/2001 Warner et al.
- D454,307 S 3/2002 Lindsey
- D461,674 S 8/2002 Dorney

(Continued)

**Related U.S. Application Data**

- (63) Continuation of application No. 29/434,975, filed on Oct. 18, 2012, now Pat. No. Des. 693,120.
- (51) **LOC (10) Cl.** ..... **03-01**
- (52) **U.S. Cl.**  
USPC ..... **D3/271.1; D7/510; D9/772**
- (58) **Field of Classification Search**  
USPC ..... **D3/270, 271.1; D7/509, 510, 602, 615; D9/763, 772, 779, 780; 215/253-258, 215/273; 220/269, 288, 304, 604, 608, 620, 220/630, 644, 771, 906**  
See application file for complete search history.

*Primary Examiner* — Cynthia Ramirez

(74) *Attorney, Agent, or Firm* — Edwards Wildman Palmer LLP; Steven M. Jensen; Richard B. Emmons

(57) **CLAIM**

The ornamental design for a resealable container, as shown and described.

**DESCRIPTION**

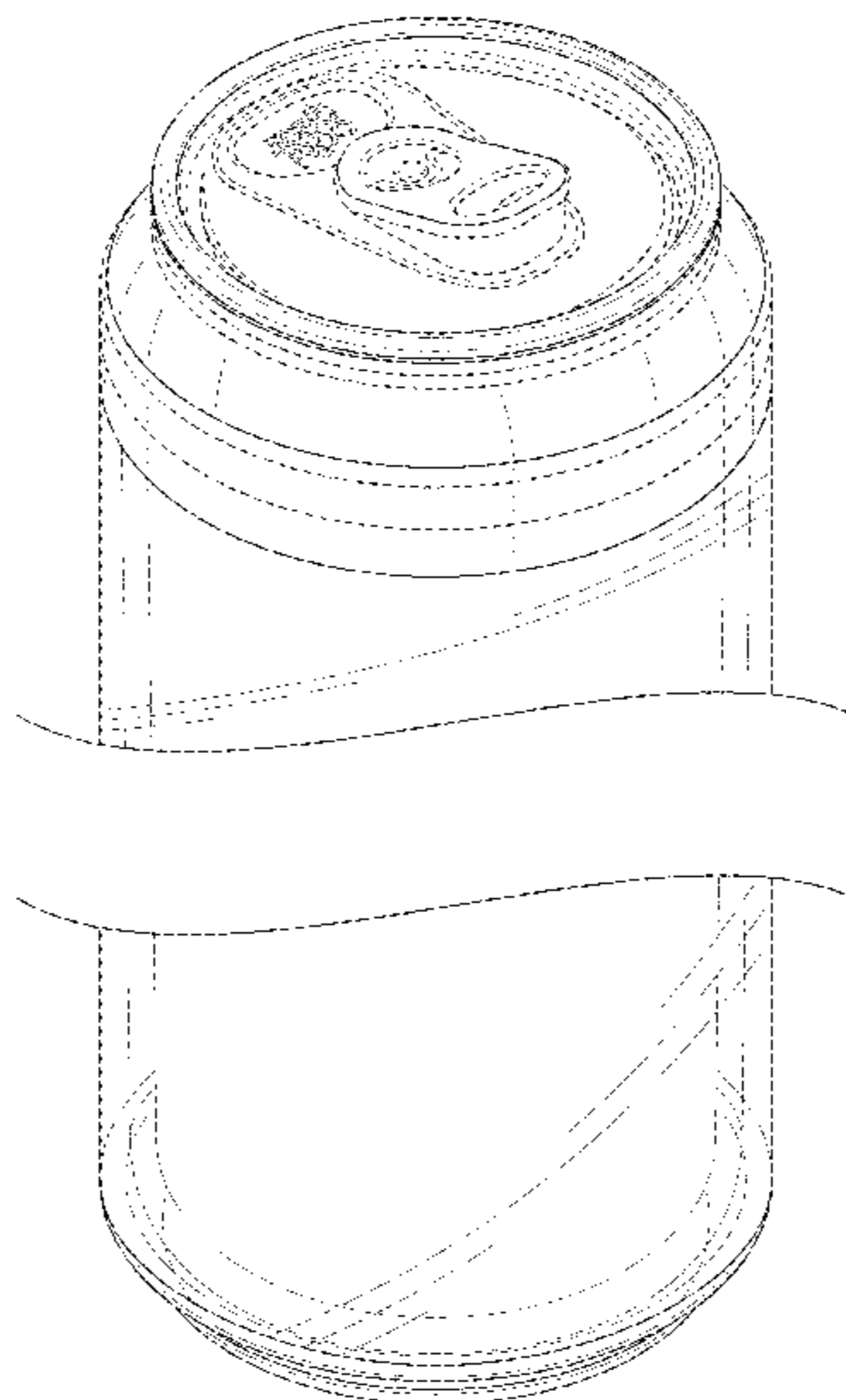
FIG. 1 is a perspective view of the top, back, and right side of a container showing an embodiment of the new design; FIG. 2 is a front view thereof; FIG. 3 is a back view thereof; FIG. 4 is a left view thereof; FIG. 5 is a right view thereof; FIG. 6 is a top view thereof; and, FIG. 7 is a bottom view thereof. The container is shown with a symbolic break in its length. The appearance of any portion of the article between the break lines forms no part of the claimed design.

**1 Claim, 7 Drawing Sheets**

(56) **References Cited**

**U.S. PATENT DOCUMENTS**

- 3,734,360 A 5/1973 Brown
- D285,661 S 9/1986 Brownbill
- 4,883,187 A 11/1989 Knitzer
- 4,892,206 A 1/1990 Perrin
- 4,925,051 A 5/1990 Herbst
- 4,930,654 A 6/1990 Thibeault et al.
- 4,989,746 A 2/1991 Pierce
- 5,088,614 A 2/1992 Dumestre



(56)

**References Cited**

U.S. PATENT DOCUMENTS

D466,371 S 12/2002 Parker  
 D479,437 S 9/2003 Gluck  
 D486,734 S 2/2004 Weber  
 D518,333 S 4/2006 Gluck  
 D529,379 S 10/2006 Mengeu et al.  
 D534,770 S 1/2007 Gluck  
 D547,122 S 7/2007 Gluck  
 D549,595 S 8/2007 Lowther, Sr. et al.  
 D554,433 S 11/2007 Gluck  
 D563,723 S 3/2008 Gluck  
 D569,245 S 5/2008 Joshi et al.  
 D570,228 S 6/2008 van Dam  
 D587,137 S 2/2009 Hayden et al.  
 7,500,577 B2 3/2009 Wichelhaus  
 D591,103 S 4/2009 Wong  
 D593,876 S 6/2009 Hayden et al.  
 D594,167 S 6/2009 Chavez, II et al.  
 D596,048 S 7/2009 Hayden et al.  
 7,556,425 B2 7/2009 Gluck  
 D601,436 S 10/2009 Stephens et al.  
 D603,722 S 11/2009 Reimer  
 D604,181 S 11/2009 Reimer  
 D604,639 S 11/2009 Huls et al.  
 D605,060 S 12/2009 Reimer  
 D607,754 S 1/2010 Hayden et al.  
 D611,203 S 3/2010 Jager  
 D612,747 S 3/2010 Ball

D616,416 S 5/2010 Lin  
 D618,115 S 6/2010 Huls et al.  
 7,735,673 B2 6/2010 Huffman et al.  
 D623,963 S 9/2010 Fairchild, Jr. et al.  
 D632,588 S 2/2011 George  
 D632,589 S 2/2011 George  
 D640,141 S 6/2011 Chapin  
 D640,852 S 6/2011 Warlick et al.  
 D641,644 S 7/2011 George  
 D643,718 S 8/2011 Fields  
 D644,537 S 9/2011 Hu  
 D644,941 S 9/2011 Hermans  
 D650,234 S 12/2011 Tseng  
 D653,538 S 2/2012 Toms et al.  
 D653,964 S 2/2012 Cepetic  
 D666,873 S 9/2012 Gluck  
 D669,781 S 10/2012 Fields  
 D671,843 S 12/2012 Plosky et al.  
 8,336,725 B2 12/2012 Ramsey et al.  
 D675,066 S 1/2013 Conlin et al.  
 D678,784 S 3/2013 Aranha  
 D693,120 S \* 11/2013 Roth et al. .... D3/271.1  
 2002/0121456 A1 9/2002 Mannion et al.  
 2003/0192468 A1 10/2003 Goertzen  
 2005/0284263 A1 12/2005 Klosterman  
 2006/0107563 A1 5/2006 Farmsworth et al.  
 2007/0051725 A1 3/2007 Glade  
 2007/0138178 A1 6/2007 Erickson  
 2008/0000992 A1 1/2008 Mediare

\* cited by examiner

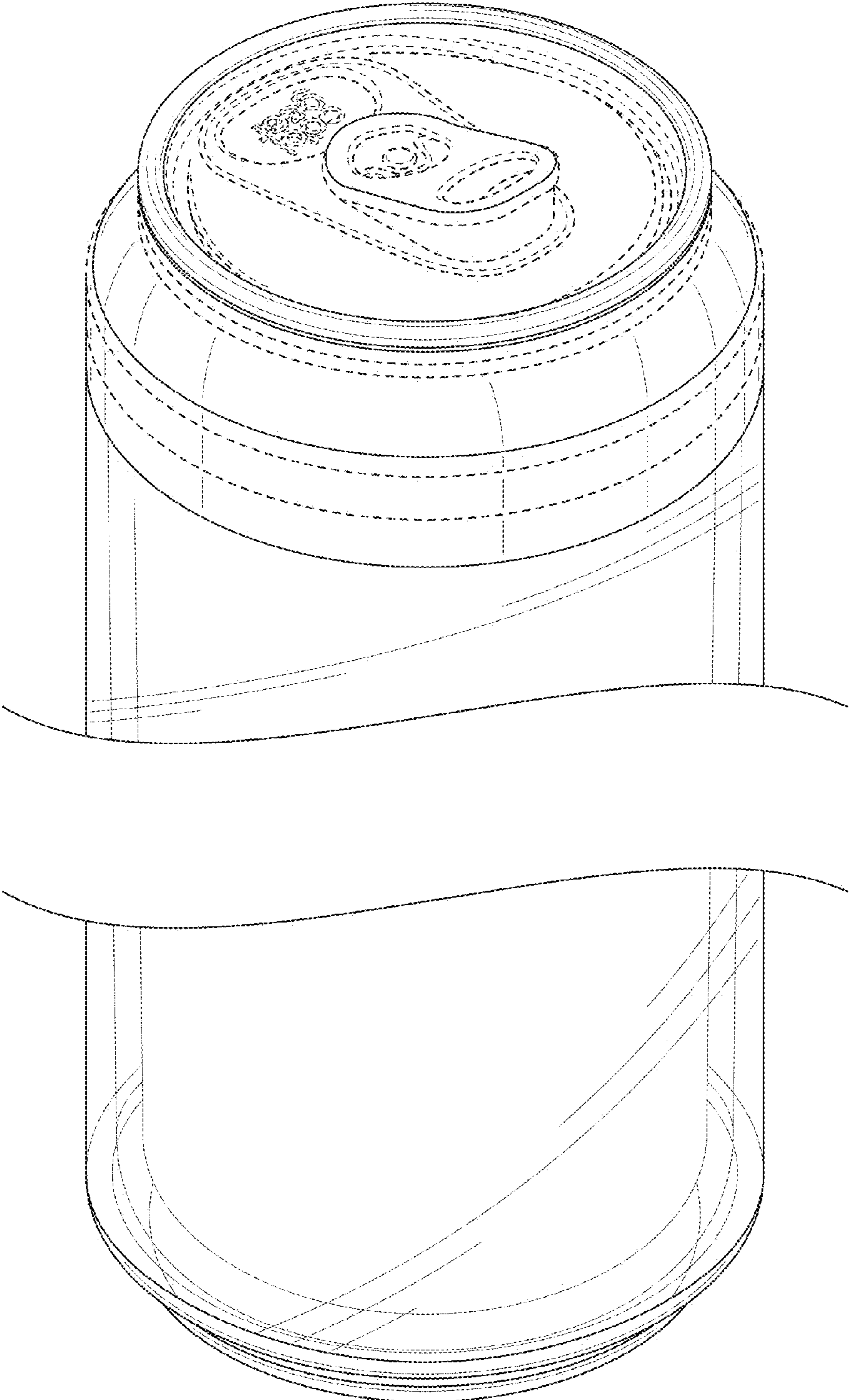


FIG. 1

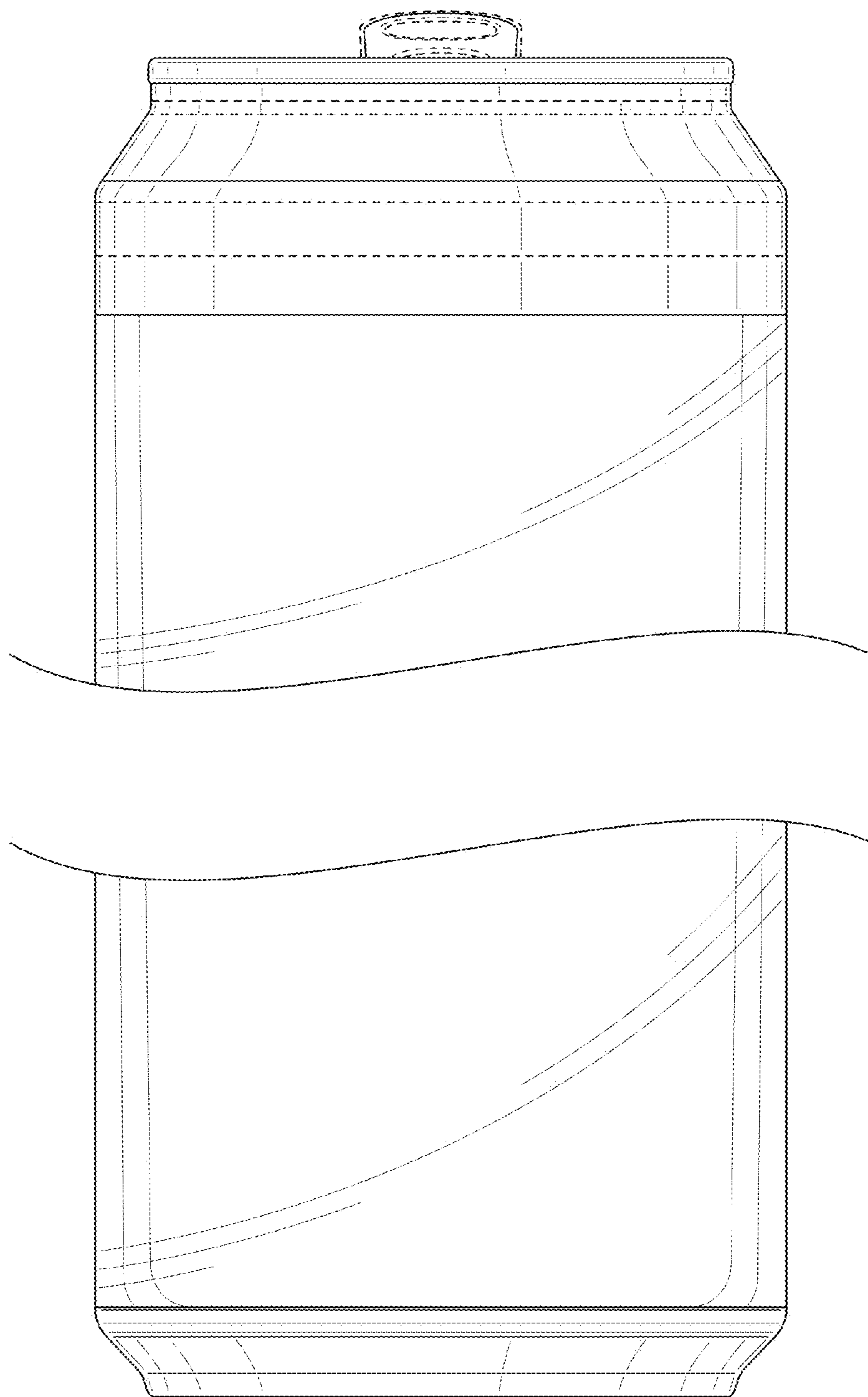


FIG. 2

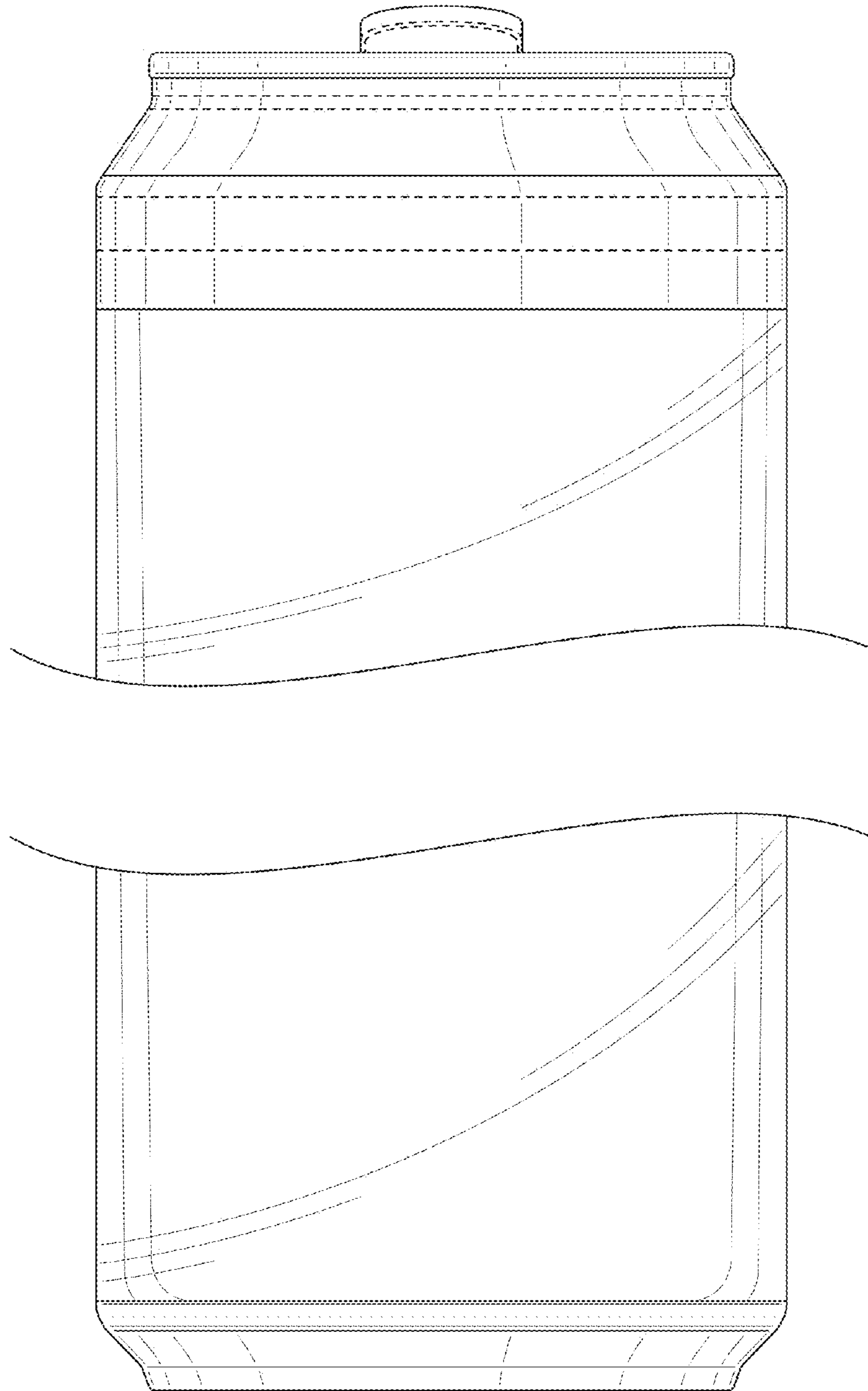


FIG. 3

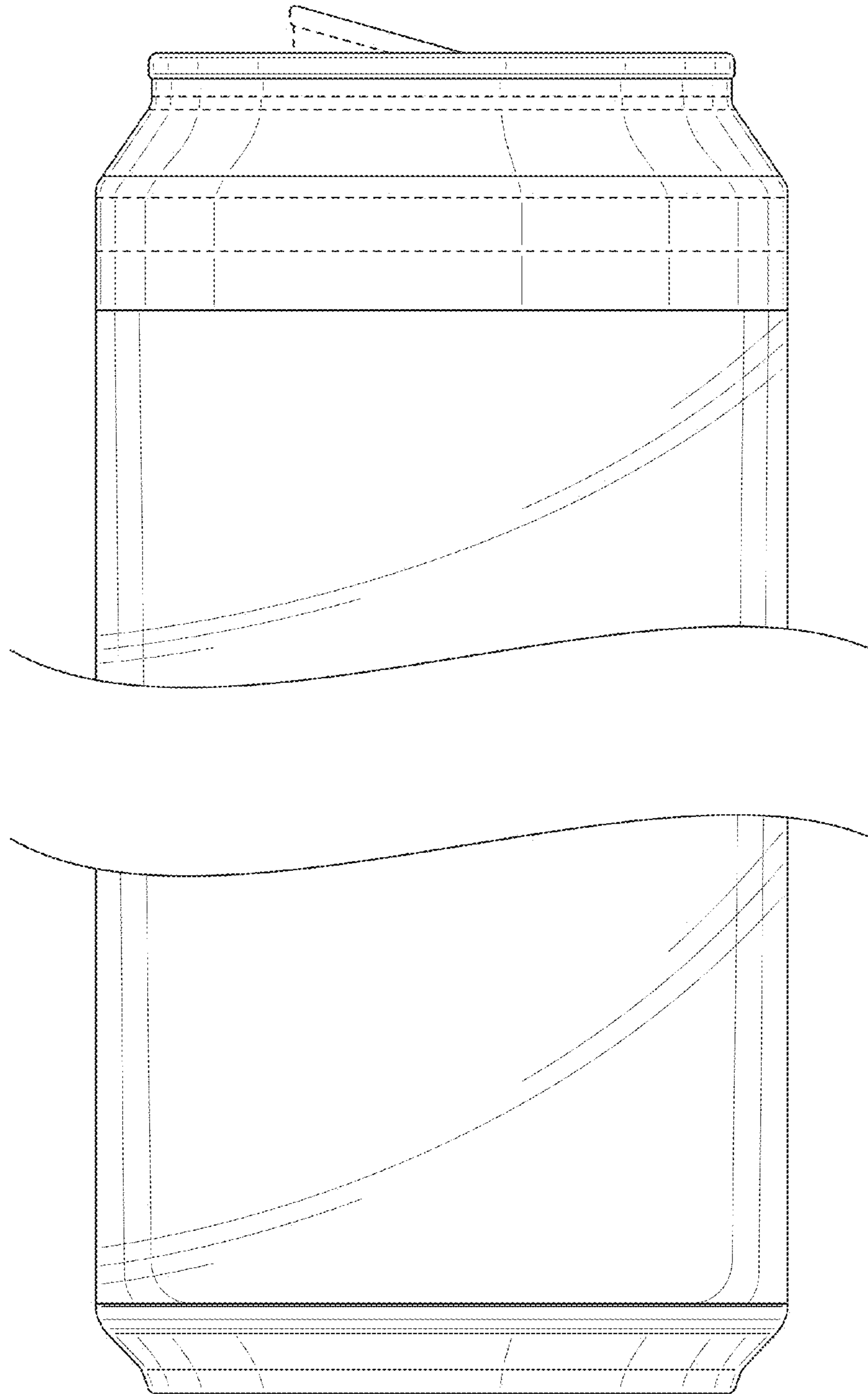


FIG. 4

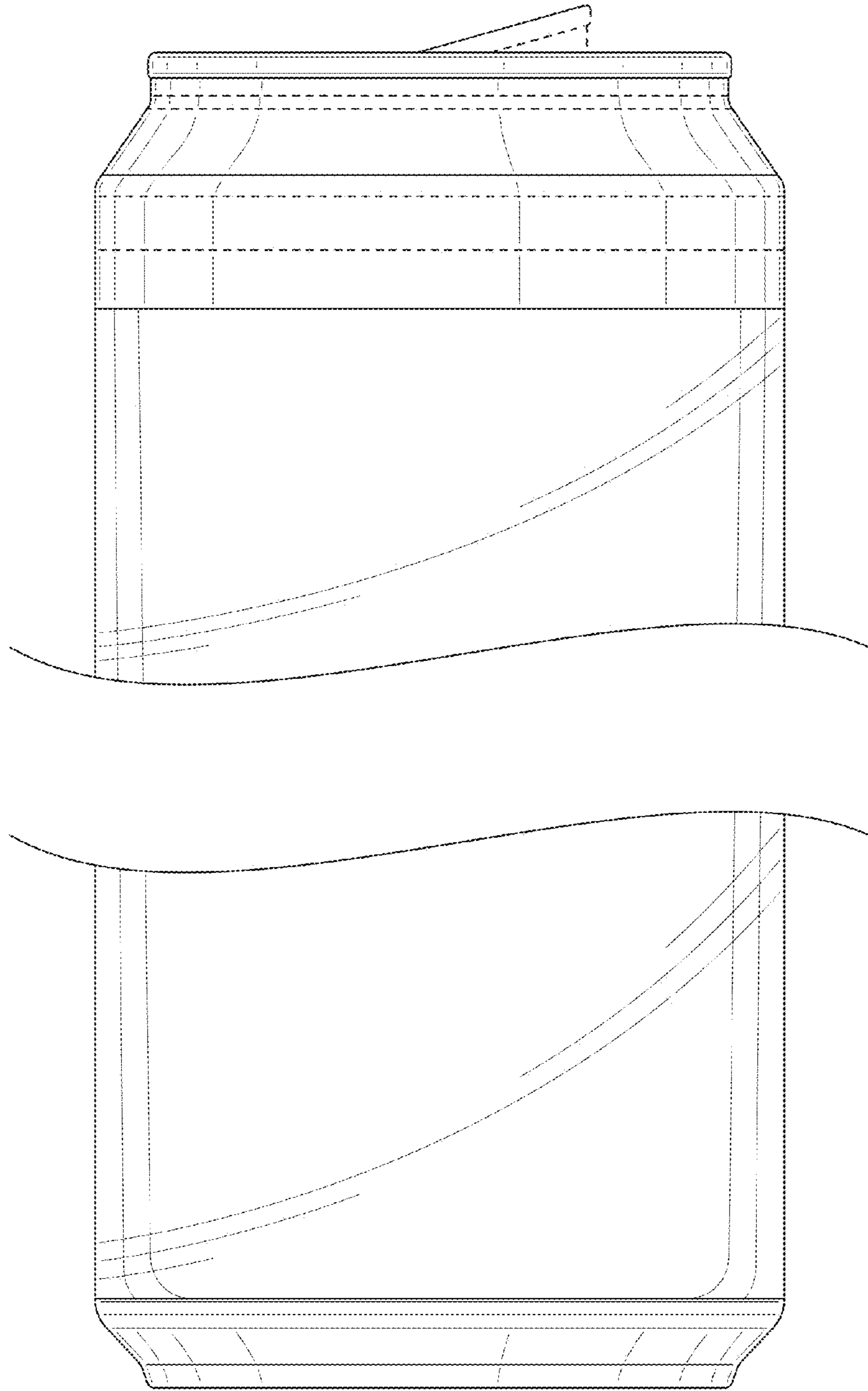


FIG. 5

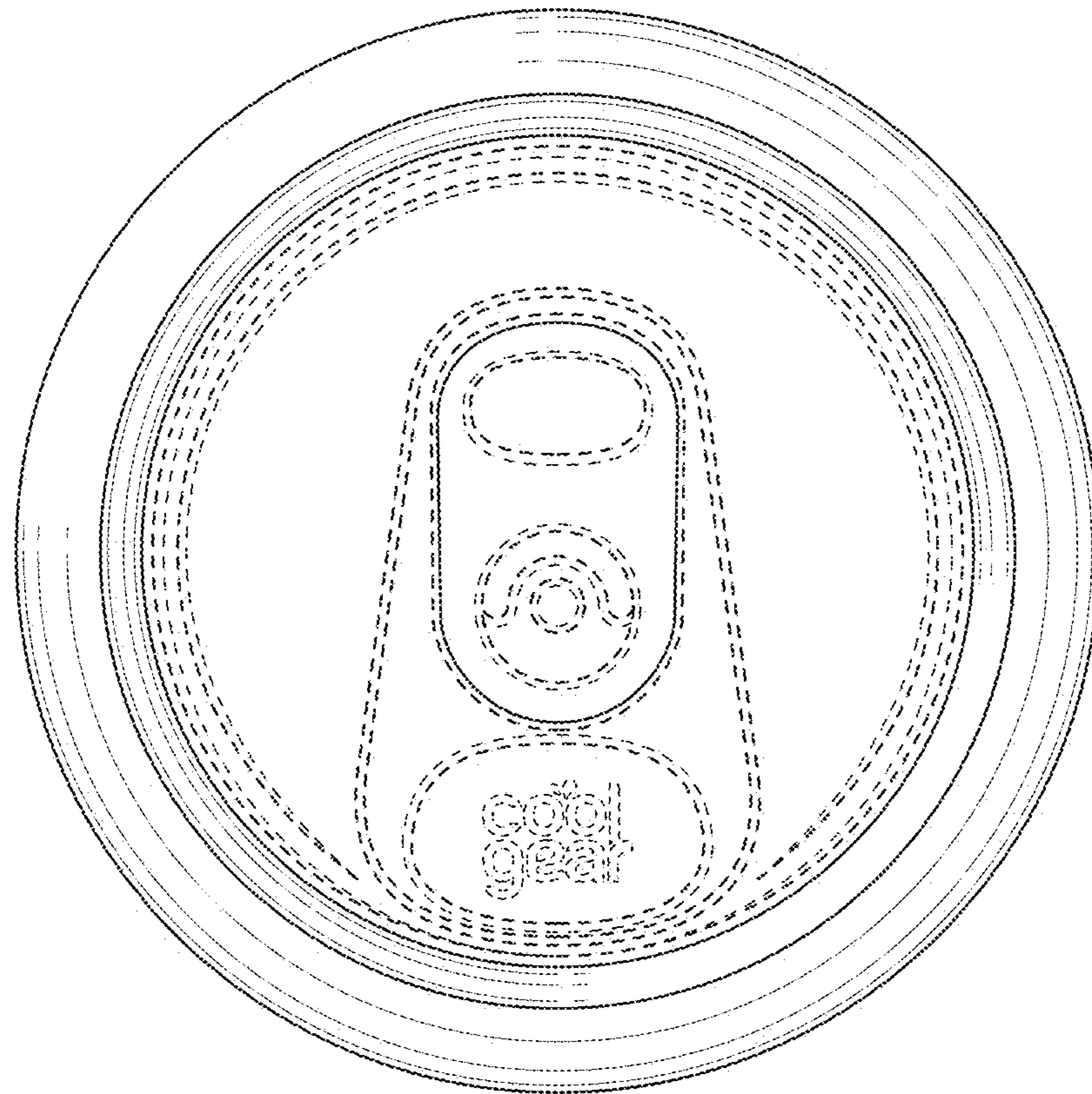


FIG. 6



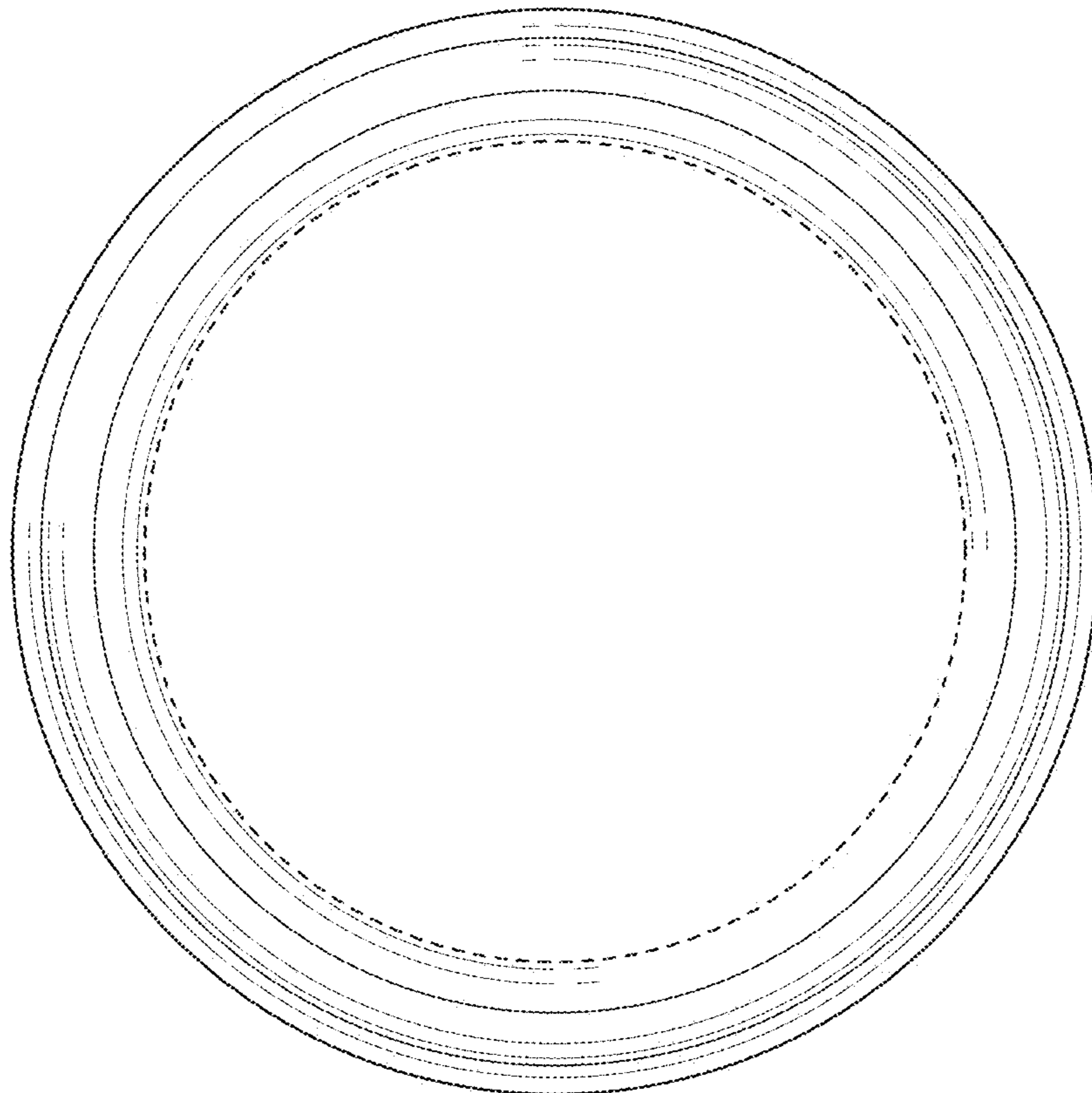


FIG. 7