



US00D706031S

(12) **United States Design Patent**
Willows et al.

(10) **Patent No.:** **US D706,031 S**
(45) **Date of Patent:** **** Jun. 3, 2014**

(54) **COMBINED POUCH AND BOTTLE HOLDER**

(75) Inventors: **Keith S. Willows**, Seattle, WA (US);
June A. Angus, Seattle, WA (US);
Antonio Del Rosario, Bellevue, WA (US)

(73) Assignee: **Amphipod, Inc.**, Seattle, WA (US)

(**) Term: **14 Years**

(21) Appl. No.: **29/429,394**

(22) Filed: **Aug. 10, 2012**

(51) **LOC (10) Cl.** **03-01**

(52) **U.S. Cl.**
USPC **D3/249; D3/303**

(58) **Field of Classification Search**
USPC D3/374, 249, 300, 226, 221, 228, 303;
150/130-132, 136-137, 146-147;
224/660, 662, 684

See application file for complete search history.

(56) **References Cited**

U.S. PATENT DOCUMENTS

D409,380 S	5/1999	Angus et al.	
D415,892 S	11/1999	Angus et al.	
D448,925 S	10/2001	Willows et al.	
D458,021 S	6/2002	Willows et al.	
D467,079 S	12/2002	Willows et al.	
D484,307 S	12/2003	Willows et al.	
6,698,636 B2	3/2004	Angus et al.	
D576,791 S *	9/2008	Wagner, II	D3/226
D651,793 S *	1/2012	Willows et al.	D3/226
D663,950 S *	7/2012	Willows et al.	D3/226
D681,945 S *	5/2013	Willows et al.	D3/226

* cited by examiner

Primary Examiner — Holly Baynham

(74) *Attorney, Agent, or Firm* — Lowe Graham Jones PLLC

(57) **CLAIM**
We claim the ornamental design for a combined pouch and bottle holder, as shown and described.

DESCRIPTION

FIGS. 1-7 are views of a first embodiment of a combined pouch and bottle holder, showing our new design.

FIG. 1 is a perspective view of the combined pouch and bottle holder.

FIG. 2 is a front view of the combined pouch and bottle holder.

FIG. 3 is a right side view of the combined pouch and bottle holder.

FIG. 4 is a left side view of the combined pouch and bottle holder.

FIG. 5 is a back view of the combined pouch and bottle holder.

FIG. 6 is a top view of the combined pouch and bottle holder.

FIG. 7 is a bottom view of the combined pouch and bottle holder.

FIG. 8 is a front view of the second embodiment of the combined pouch and bottle holder.

FIG. 9 is a right side view of the combined pouch and bottle holder.

FIG. 10 is a left side view of the combined pouch and bottle holder.

FIG. 11 is a top view of the combined pouch and bottle holder.

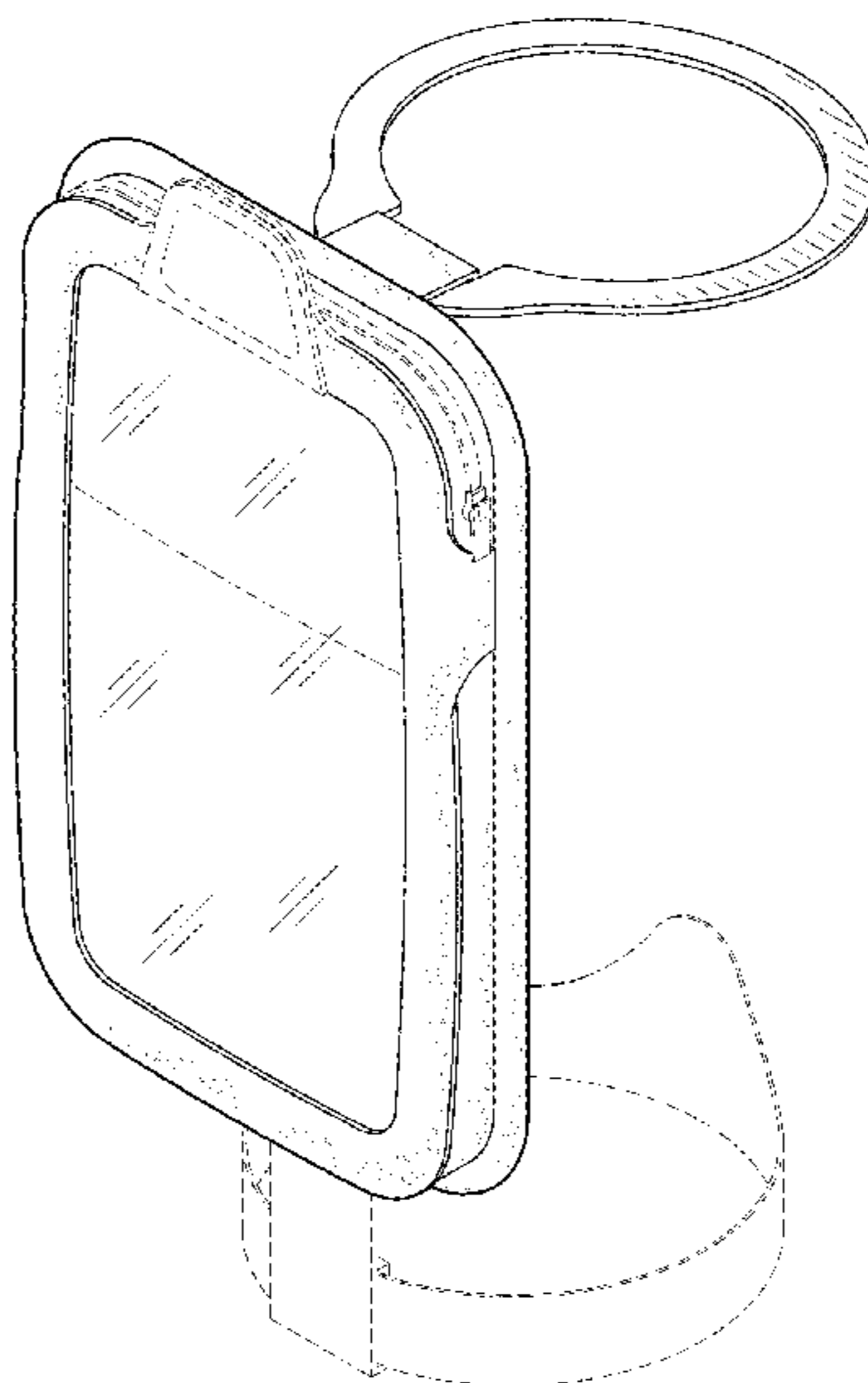
FIG. 12 is a bottom view of the combined pouch and bottle holder; and,

FIG. 13 is a right side view of the combined pouch and bottle holder.

The pouch is formed from nonrigid materials and is shown in a substantially flattened configuration. The broken lines showing portions of the pouch, zipper, zipper pull, holder and bottle are for the purposes of illustrating environment and form no part of the claimed design.

The undisclosed back view of the second embodiment is identical to the back view of the first embodiment.

1 Claim, 11 Drawing Sheets



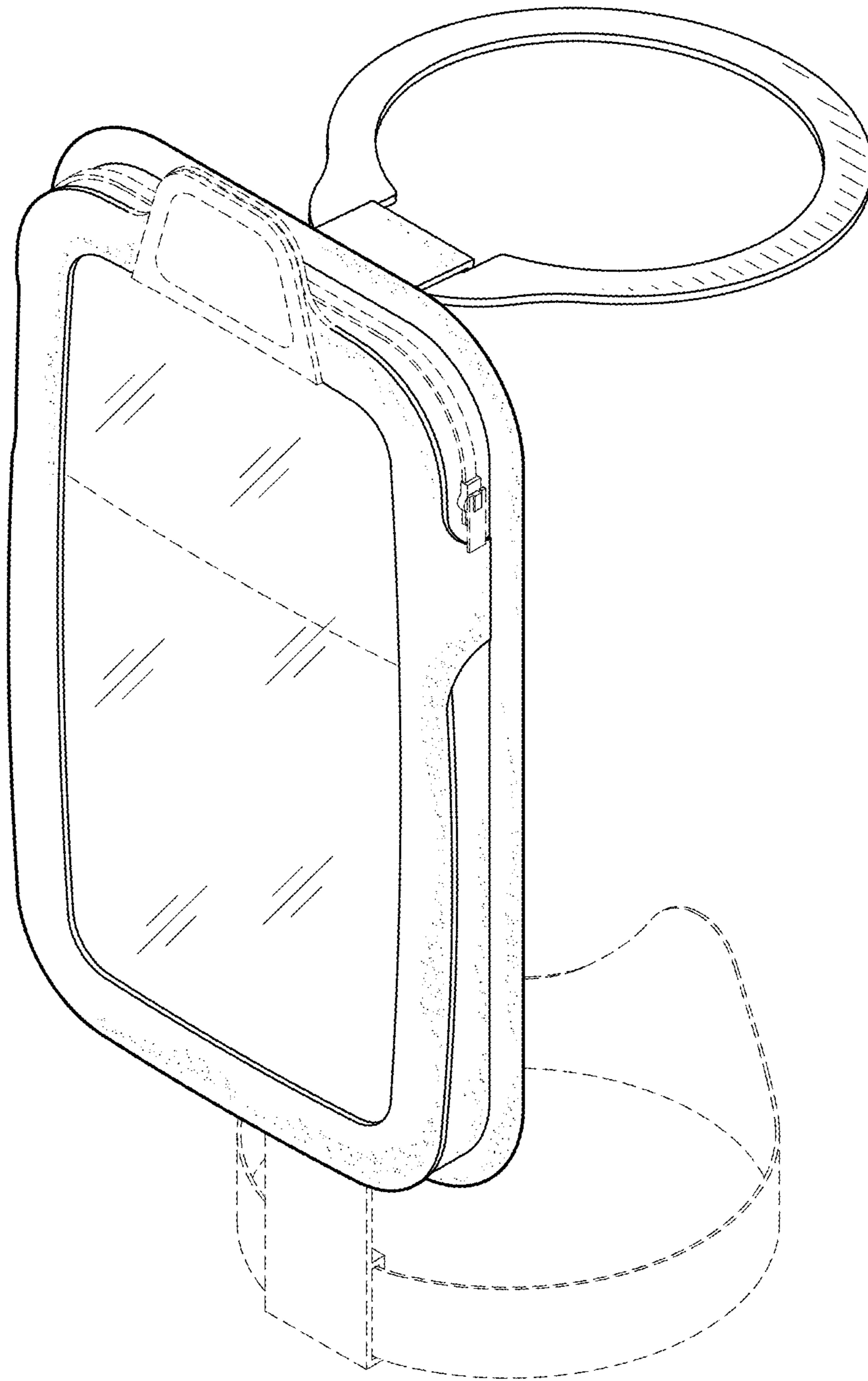


FIG. 1

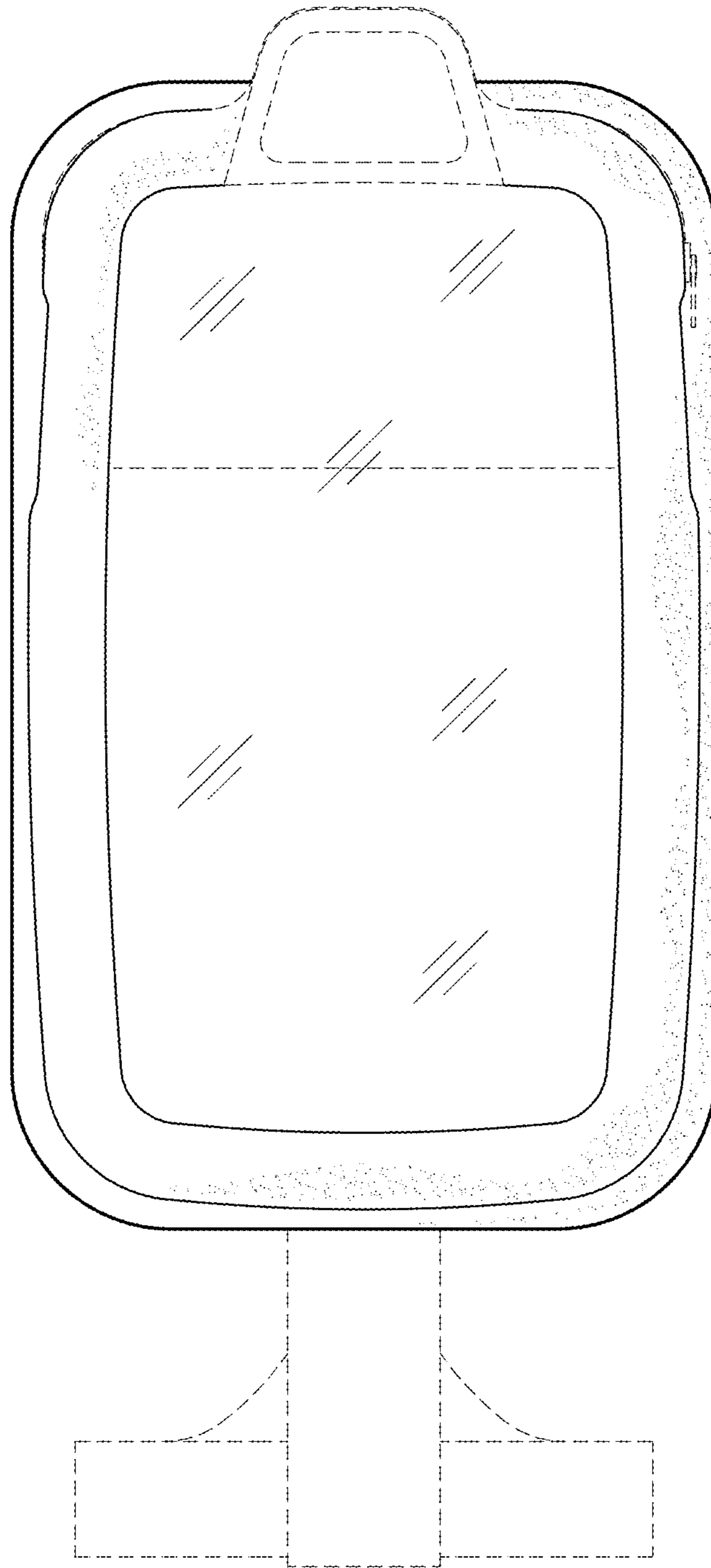


FIG. 2

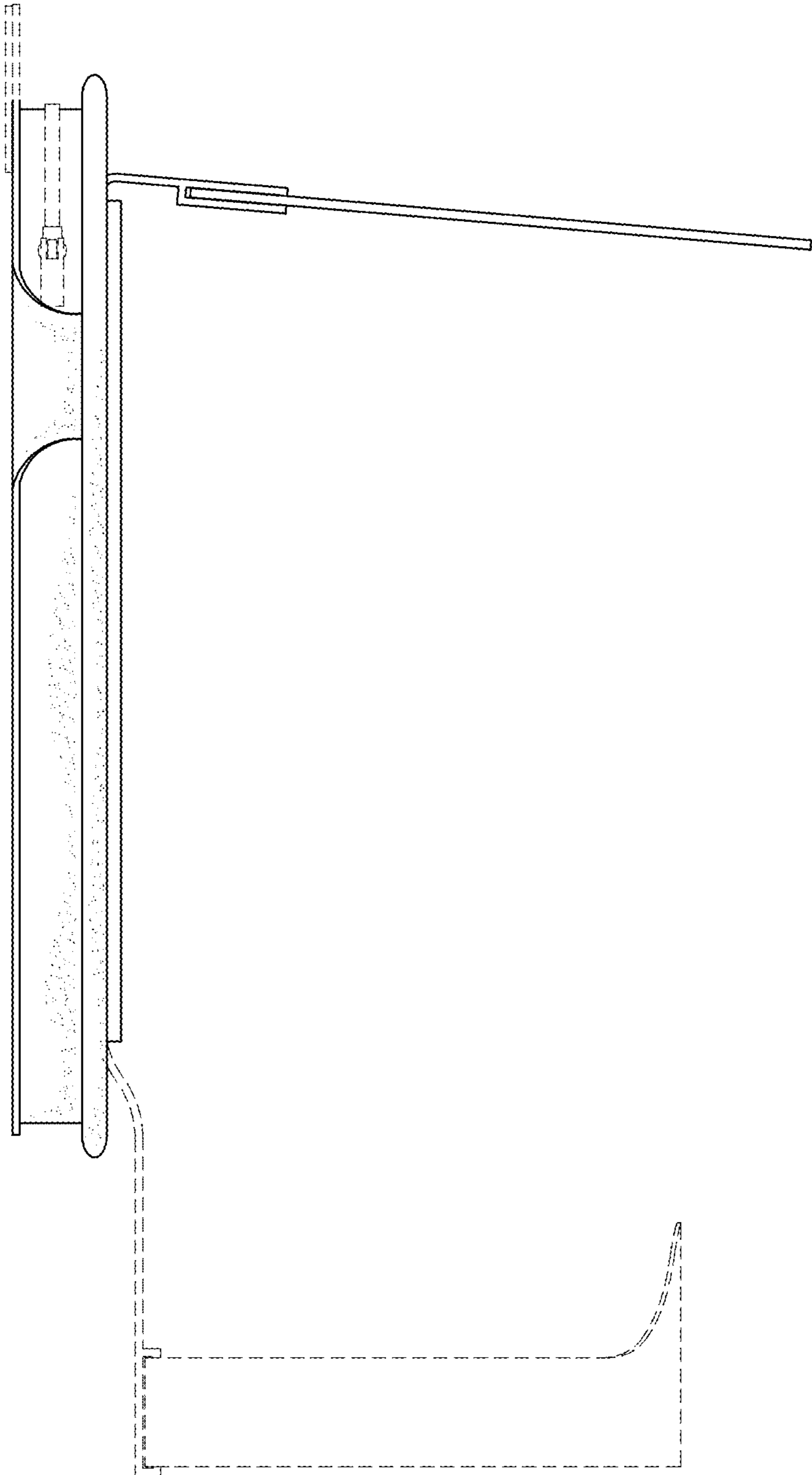


FIG. 3

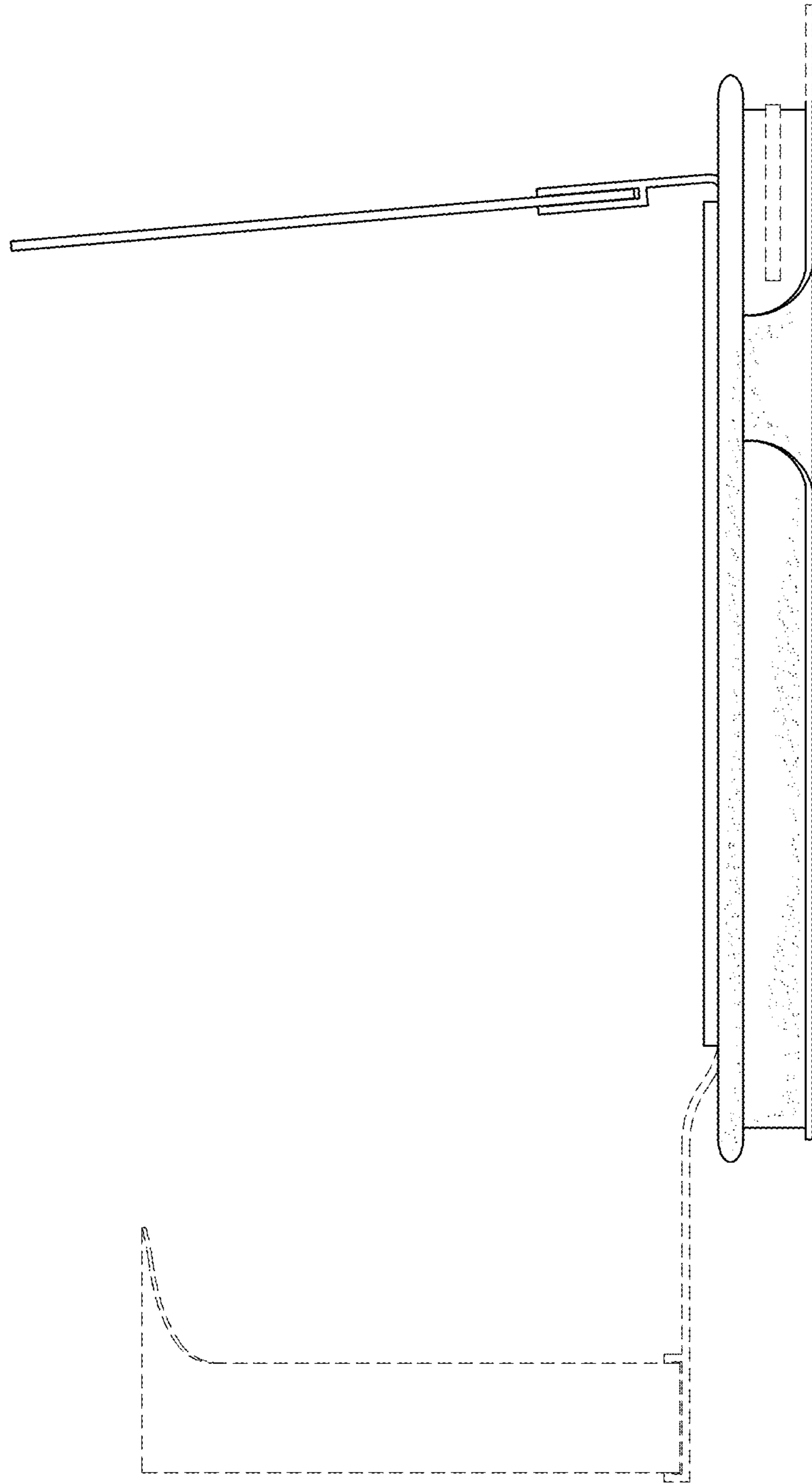


FIG. 4

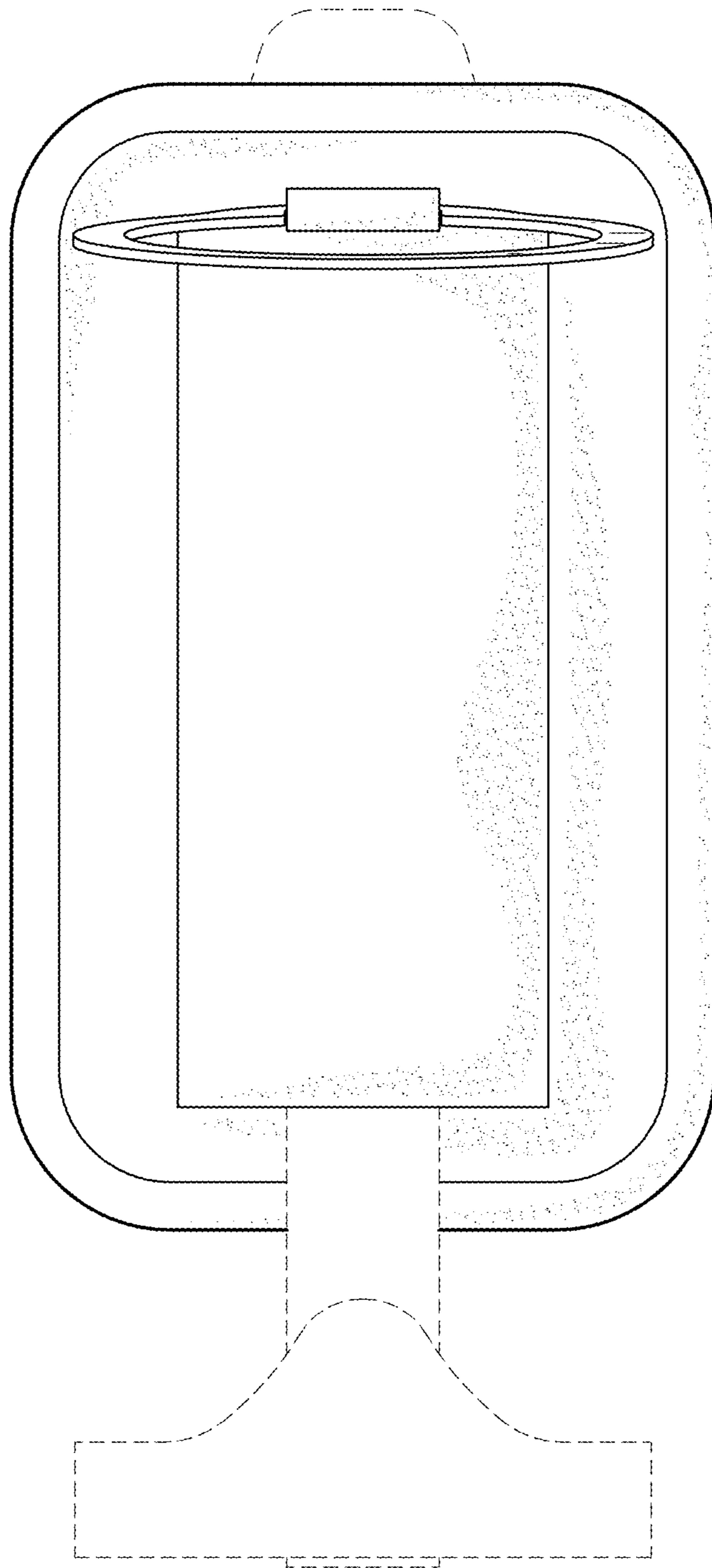


FIG. 5

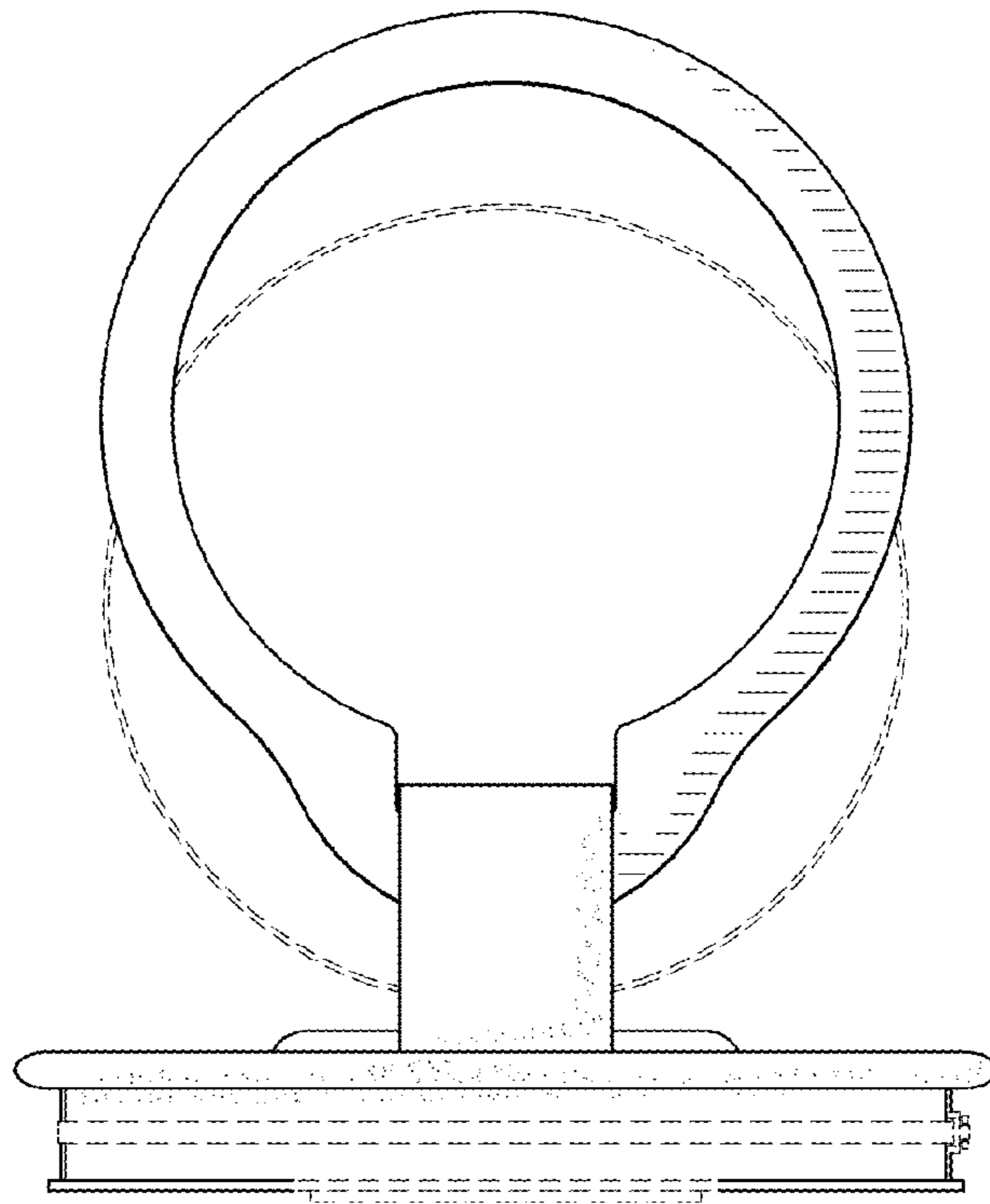


FIG. 6

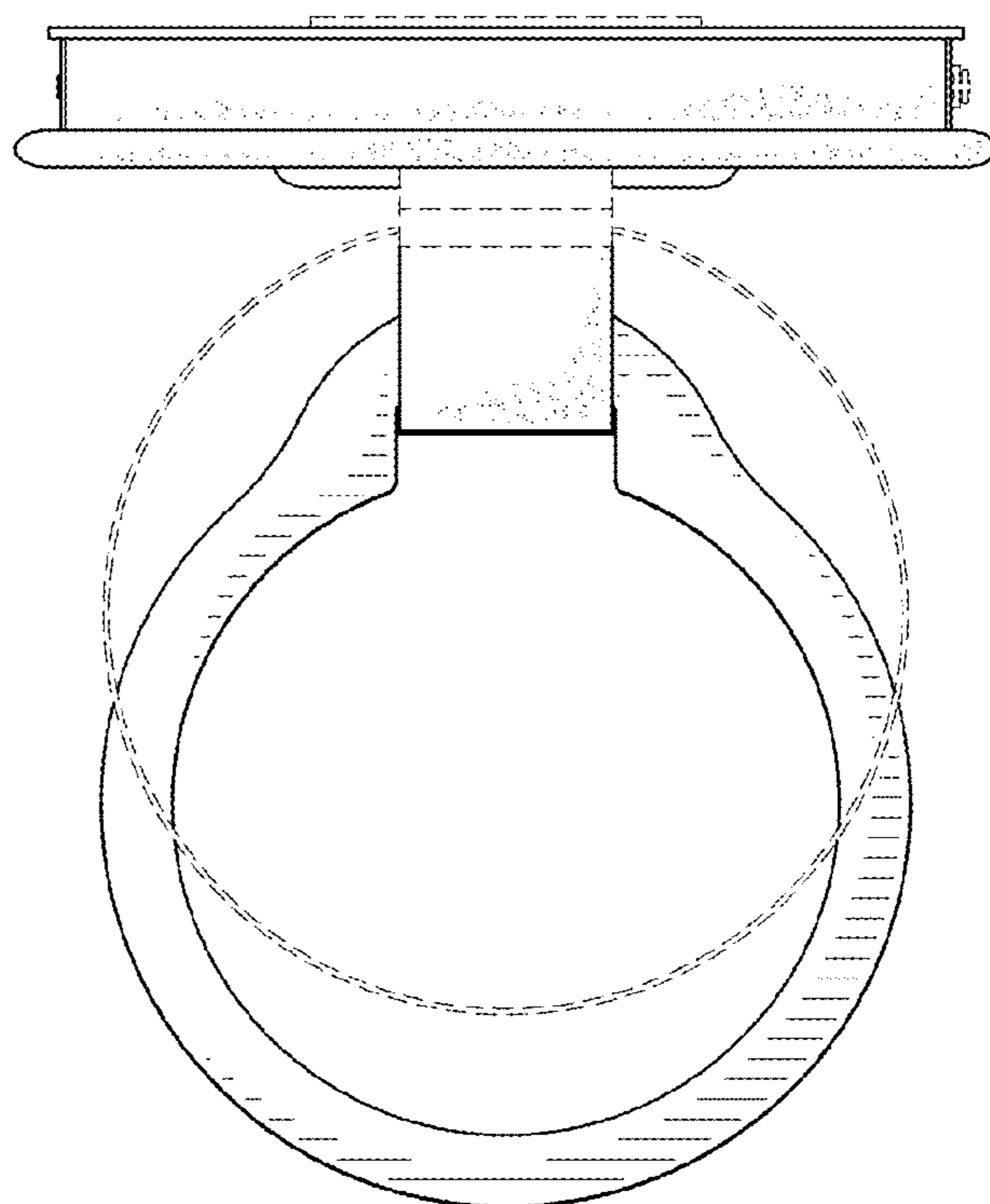


FIG. 7

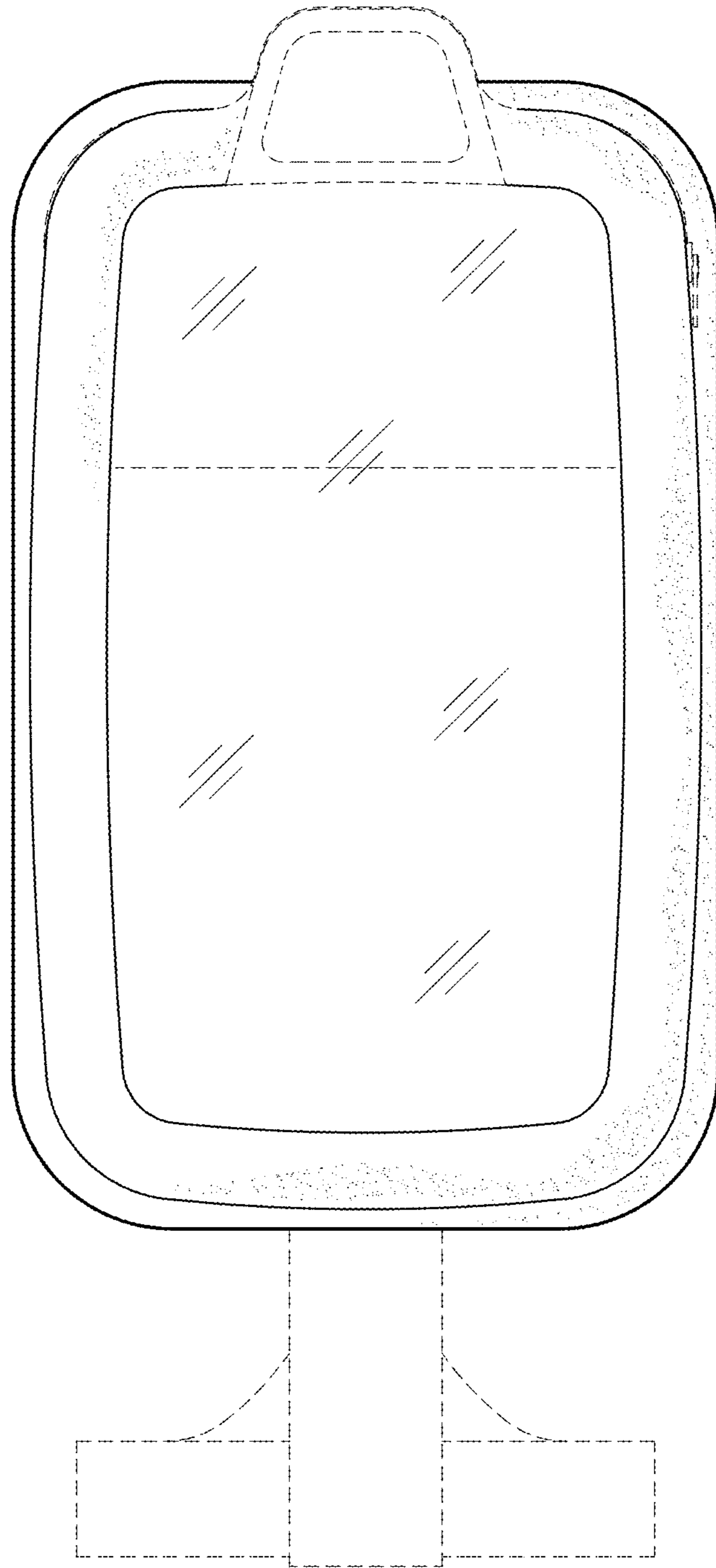


FIG. 8

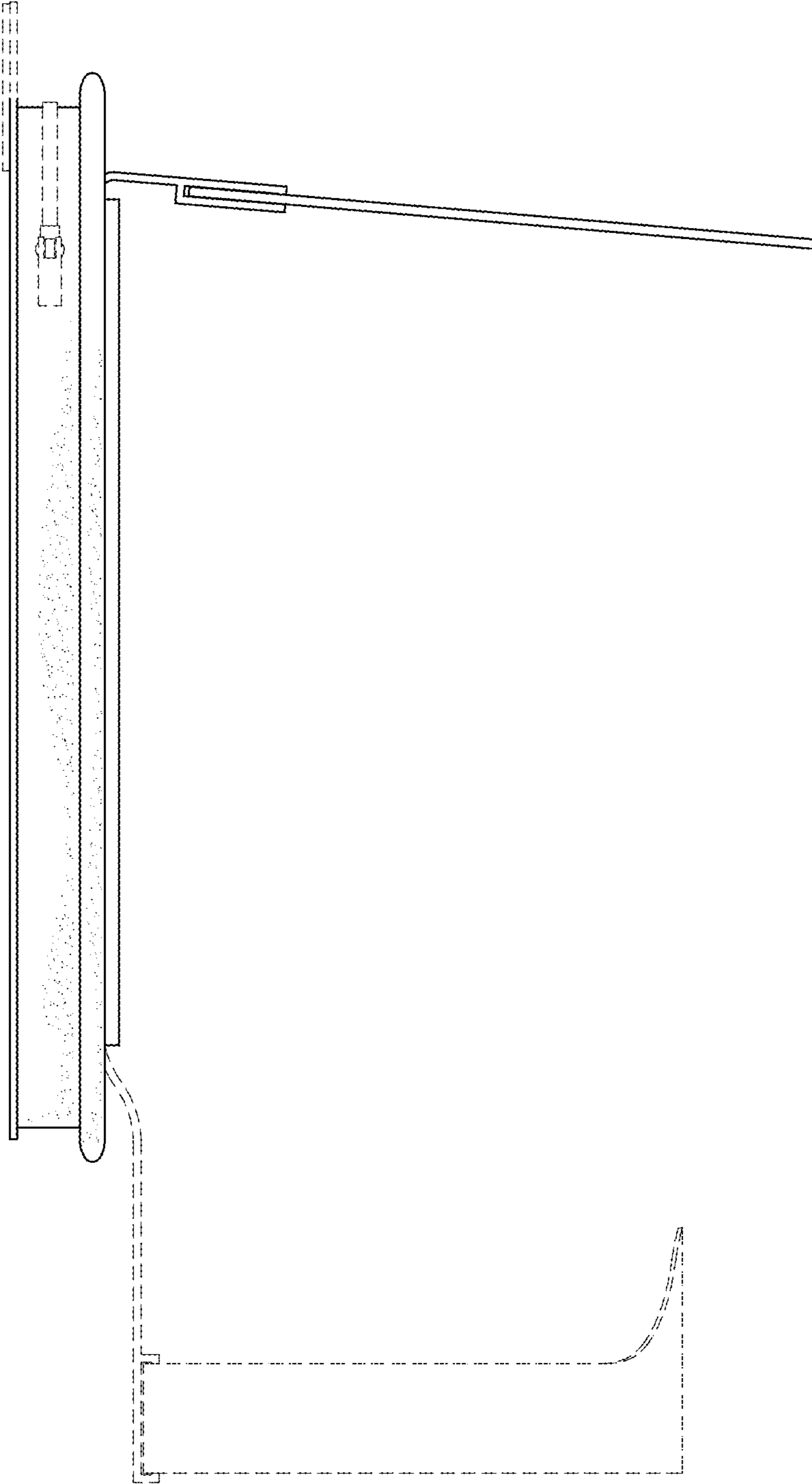


FIG. 9

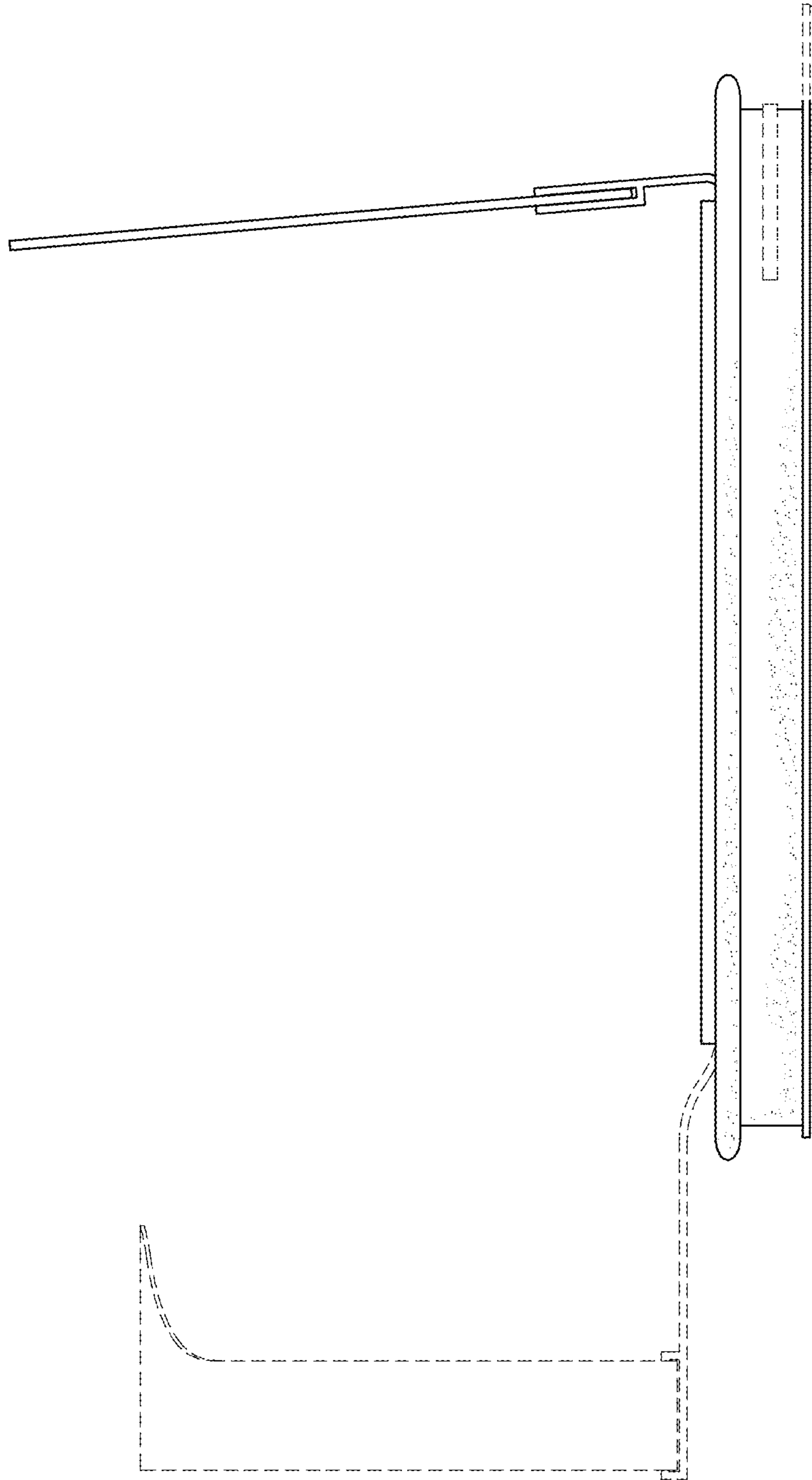


FIG.10

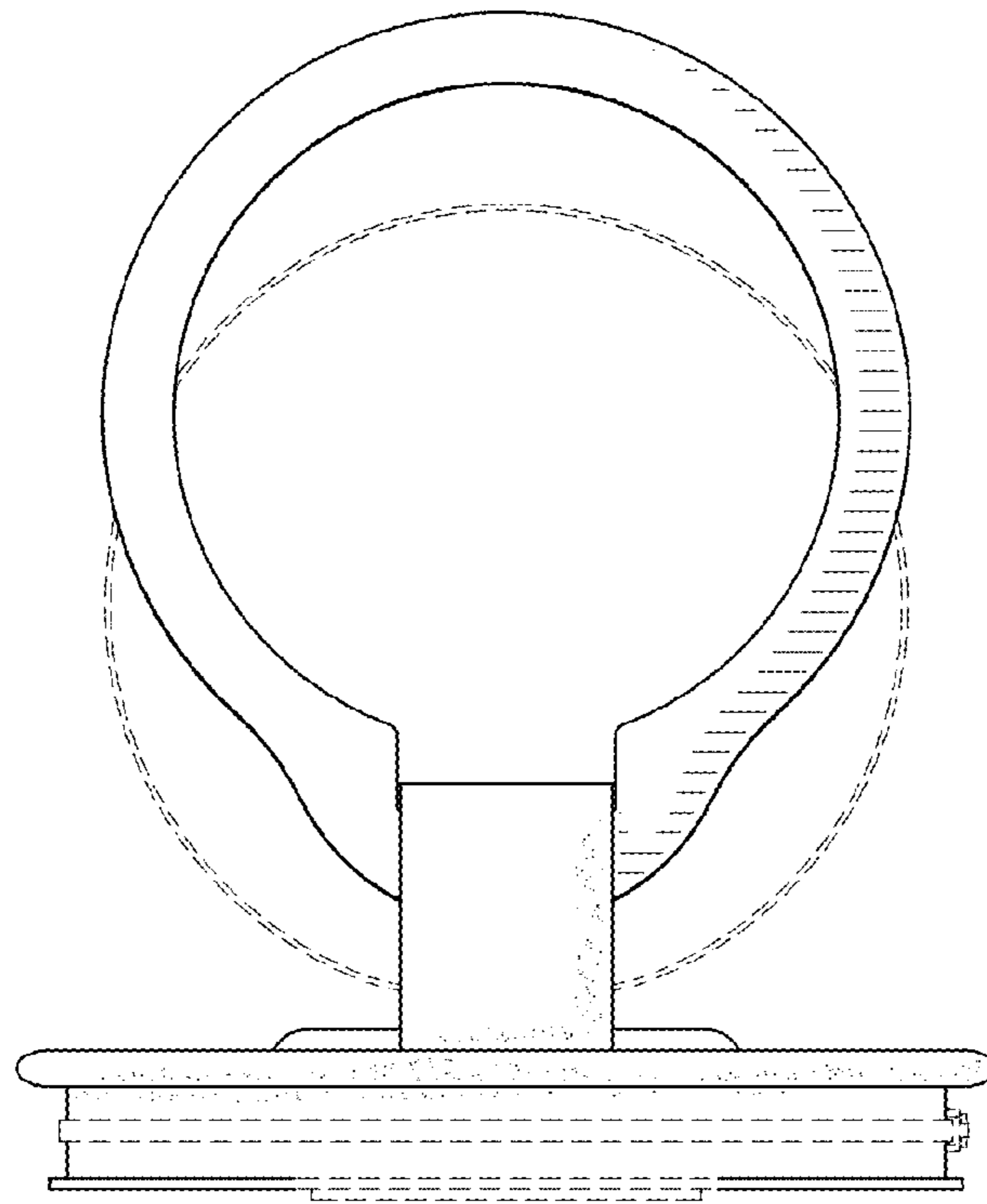


FIG. 11

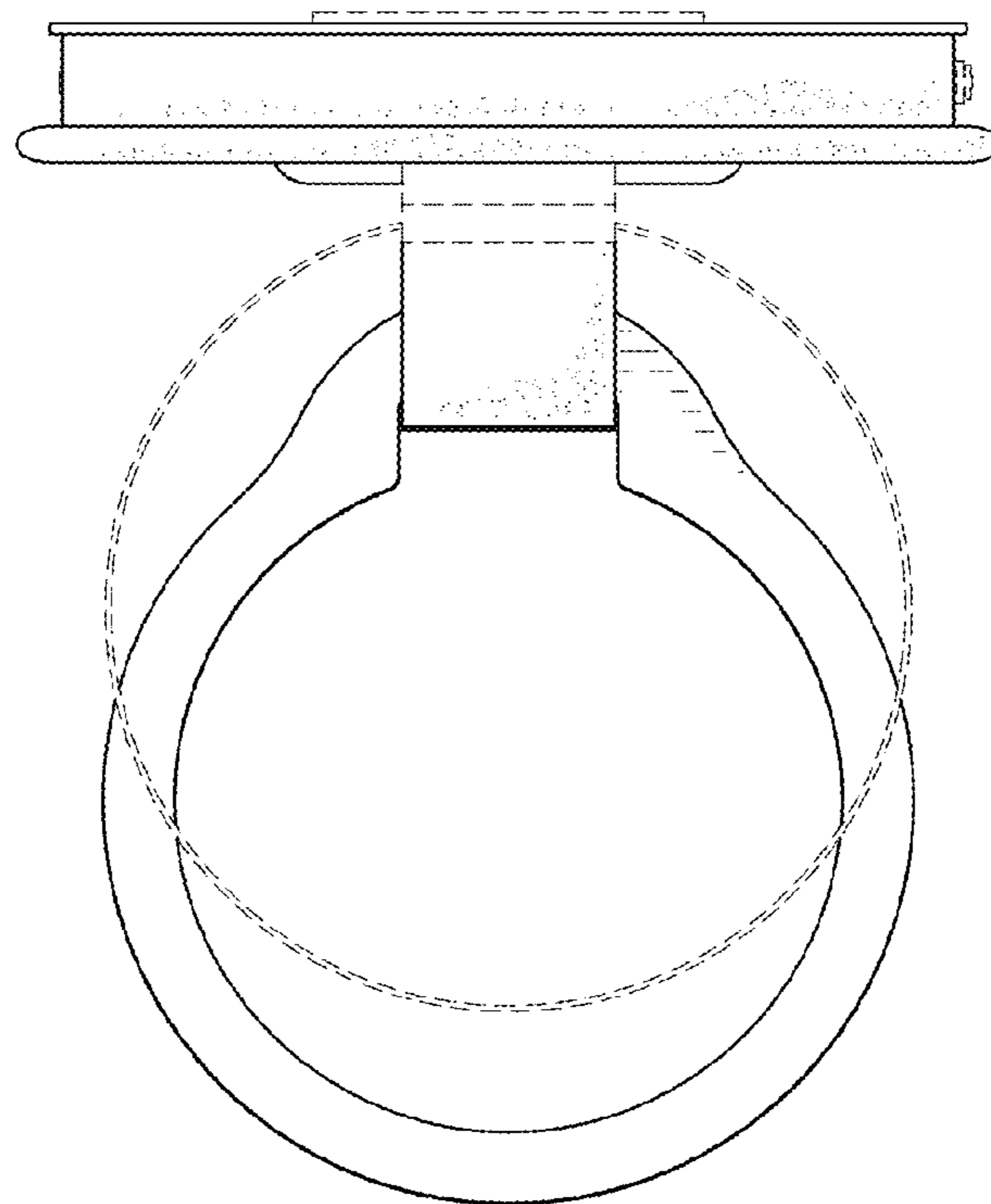


FIG. 12

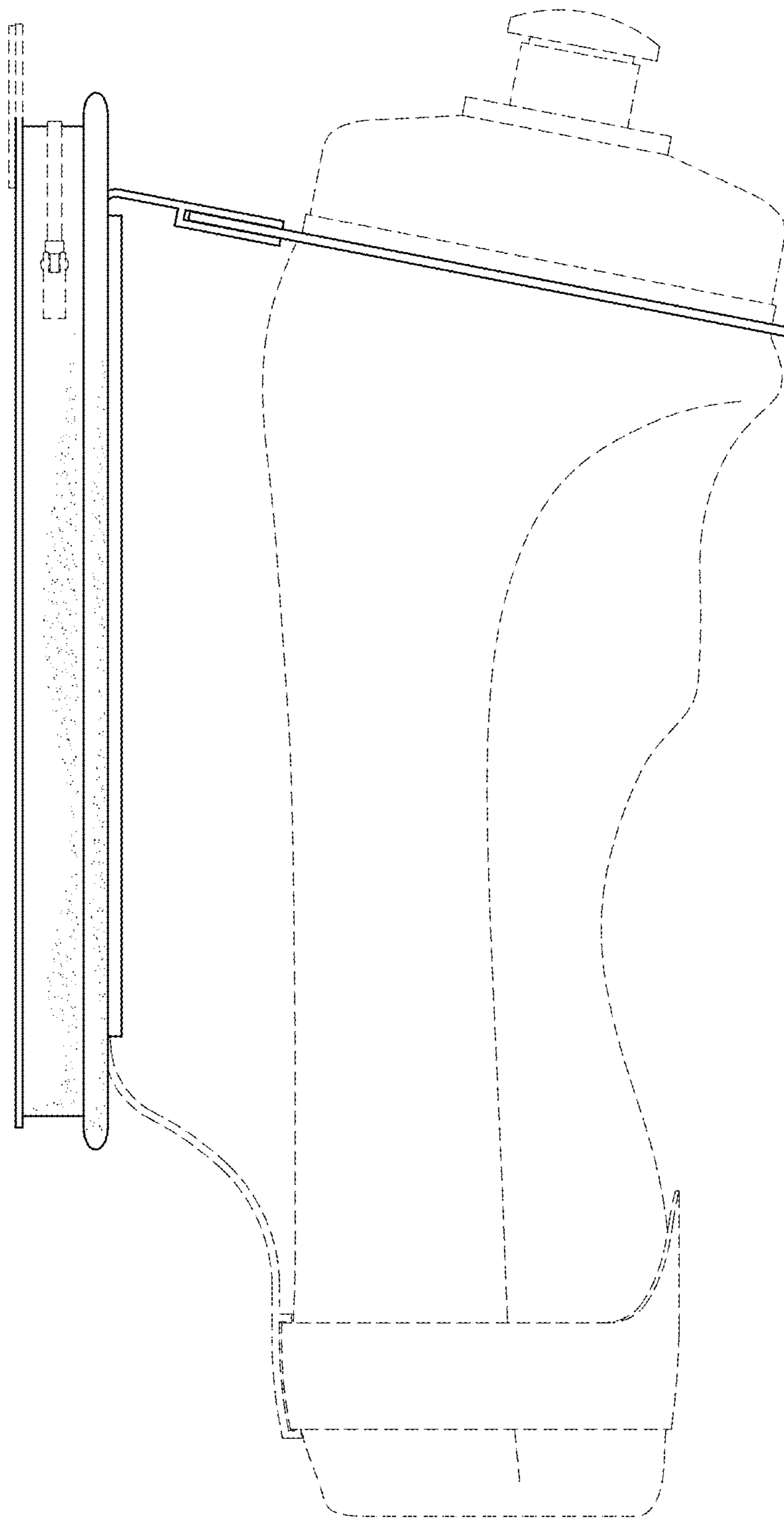


FIG.13