



US00D706028S

(12) **United States Design Patent**
Willows et al.

(10) **Patent No.:** **US D706,028 S**
(45) **Date of Patent:** **** Jun. 3, 2014**

(54) **POUCH AND BOTTLE HOLSTERS**

(71) Applicant: **Amphipod, Inc.**, Seattle, WA (US)

(72) Inventors: **Keith S. Willows**, Seattle, WA (US);
June A. Angus, Seattle, WA (US);
Antonio Del Rosario, Bellevue, WA (US)

(73) Assignee: **Amphipod, Inc.**, Seattle, WA (US)

(**) Term: **14 Years**

(21) Appl. No.: **29/466,773**

(22) Filed: **Sep. 11, 2013**

(51) **LOC (10) Cl.** **03-01**

(52) **U.S. Cl.**
USPC **D3/224**

(58) **Field of Classification Search**
USPC D3/224, 226, 228, 215, 229; 224/219,
224/222, 267, 269, 223, 240-241, 901, 904,
224/919, 677, 148.6, 250, 664, 682
See application file for complete search history.

(56) **References Cited**

U.S. PATENT DOCUMENTS

5,240,158	A *	8/1993	Walsh	224/677
5,427,290	A	6/1995	Thatcher	
5,722,574	A	3/1998	Pratt	
D409,380	S	5/1999	Angus et al.	
D415,892	S	11/1999	Angus et al.	
6,182,872	B1	2/2001	Six	
D448,925	S	10/2001	Willows et al.	
D458,021	S	6/2002	Willows et al.	
D467,079	S	12/2002	Willows et al.	
D468,902	S	1/2003	Willows et al.	
D483,942	S	12/2003	Willows et al.	
D484,307	S	12/2003	Willows et al.	

6,698,636	B2	3/2004	Angus et al.	
D505,008	S *	5/2005	Malik	D3/224
6,971,562	B2	12/2005	Willows et al.	
D571,553	S *	6/2008	Logan et al.	D3/226
7,520,412	B2	4/2009	Willows et al.	
7,845,506	B2	12/2010	Willows et al.	
8,152,011	B2	4/2012	Willows et al.	
D668,861	S *	10/2012	Pomerantz	D3/224
D680,327	S	4/2013	Willows et al.	
D681,326	S	5/2013	Willows et al.	

(Continued)

Primary Examiner — Catheri Oliver-Garcia

(74) *Attorney, Agent, or Firm* — Lowe Graham Jones PLLC

(57) **CLAIM**

We claim the ornamental design for the pouch and bottle holsters, as shown and described.

DESCRIPTION

FIG. 1 is a perspective view of a pouch and bottle holsters, showing our new design.

FIG. 2 is a front view of the pouch and bottle holsters.

FIG. 3 is a top view of the pouch and bottle holsters.

FIG. 4 is a left side view of the pouch and bottle holsters.

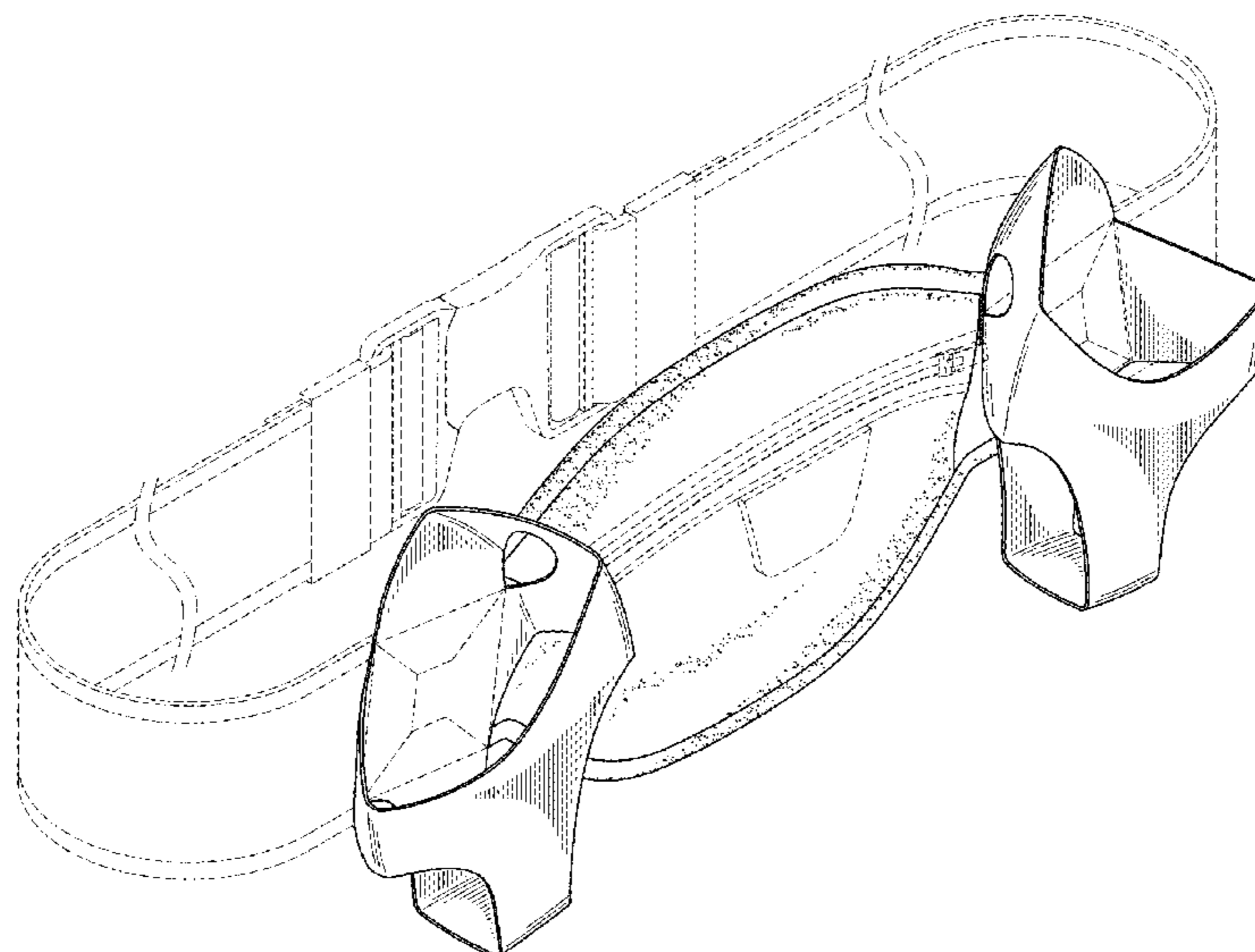
FIG. 5 is a right side view of the pouch and bottle holsters.

FIG. 6 is a rear view of the pouch and bottle holsters; and,

FIG. 7 is a bottom view of the pouch and bottle holsters.

Features illustrated in phantom lines are intended to show a preferred environment for the bottle holsters and form no part of claimed invention. Aspects illustrated in phantom lines include a belt and belt clips, a zipper and zipper pull on the pouch, and interior seams on the bottle holsters and connecting the holsters to the belt. A pair of exemplary bottles is shown in phantom lines within the holsters in FIG. 2. Aspects of the back side of the holsters that are not visible are unornamented and form no part of the claimed invention.

1 Claim, 6 Drawing Sheets



(56)

References Cited

U.S. PATENT DOCUMENTS

D685,187 S 7/2013 Willows et al.

D690,938 S 10/2013 Willows et al.
D692,665 S 11/2013 Willows et al.
2012/0228345 A1 9/2012 Willows et al.

* cited by examiner

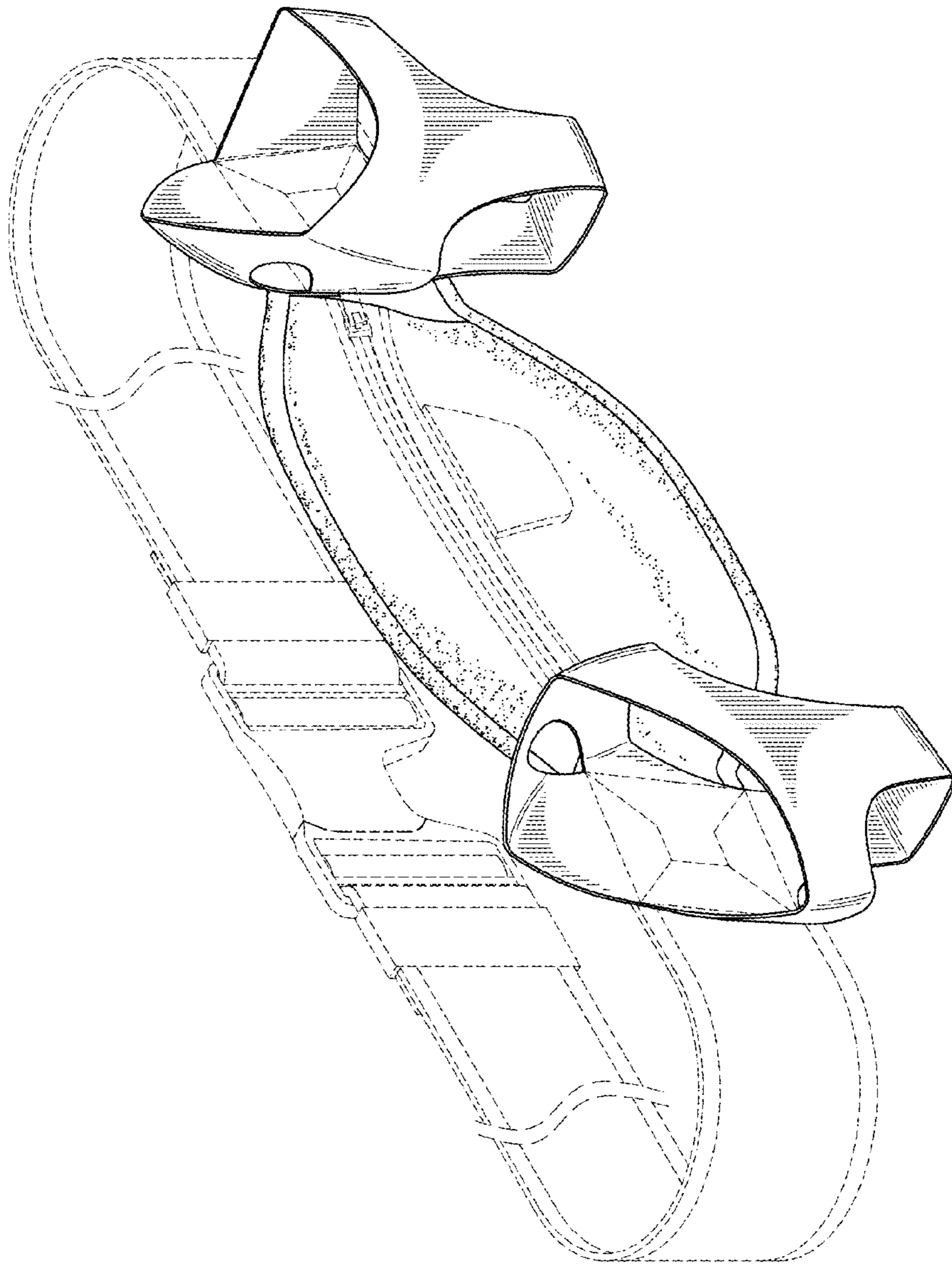


FIG. 1

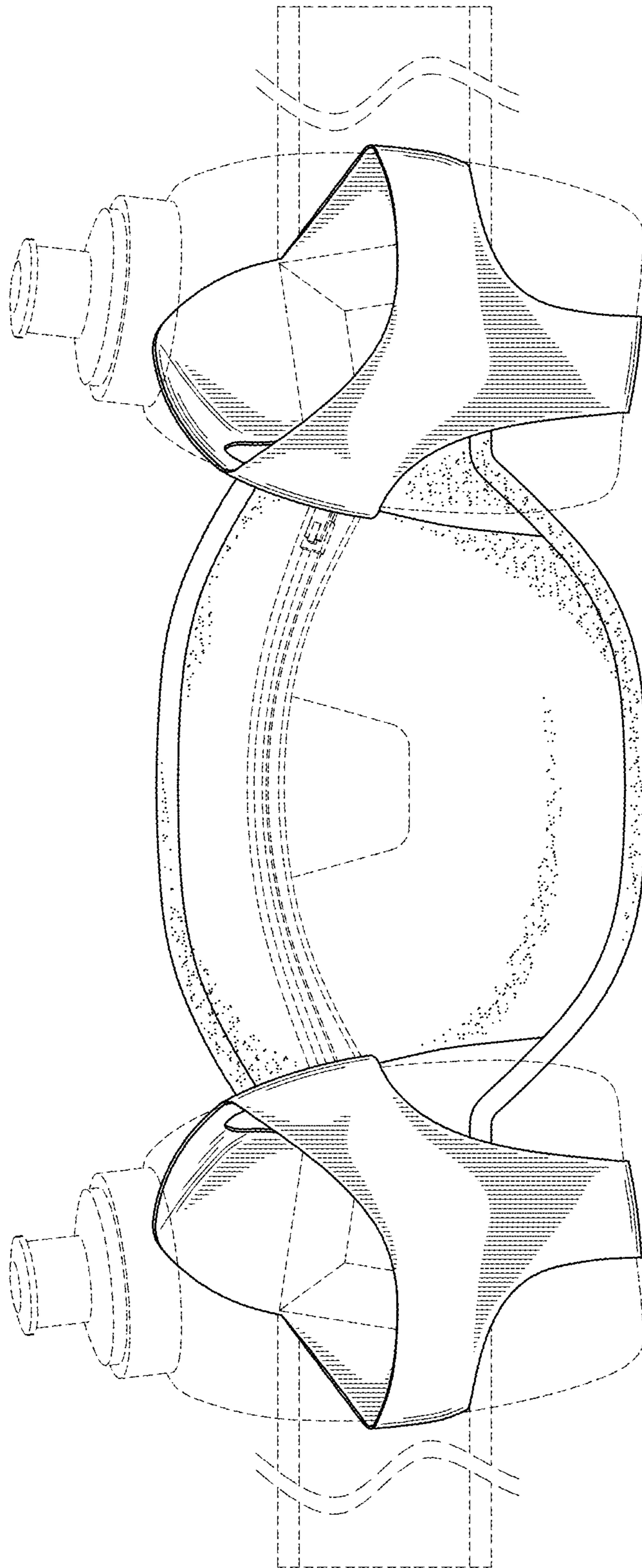


FIG. 2

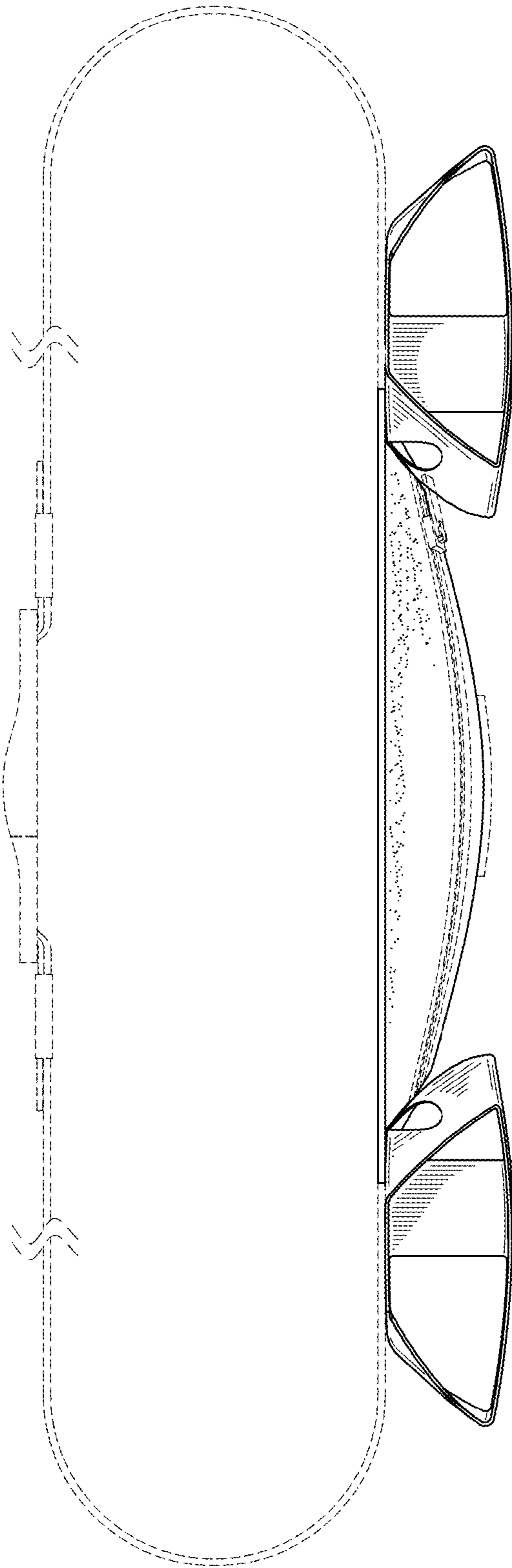


FIG.3

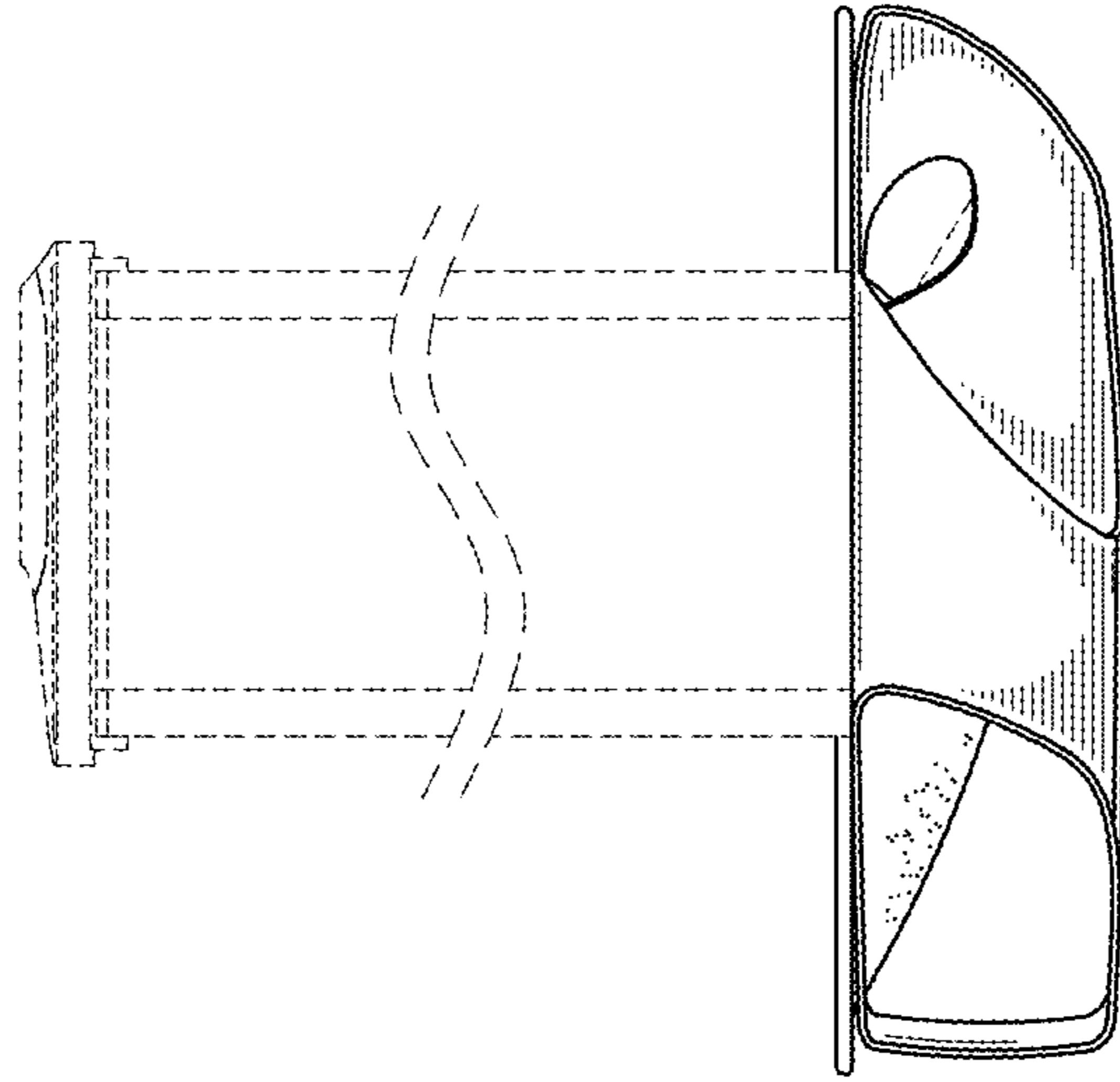


FIG. 4

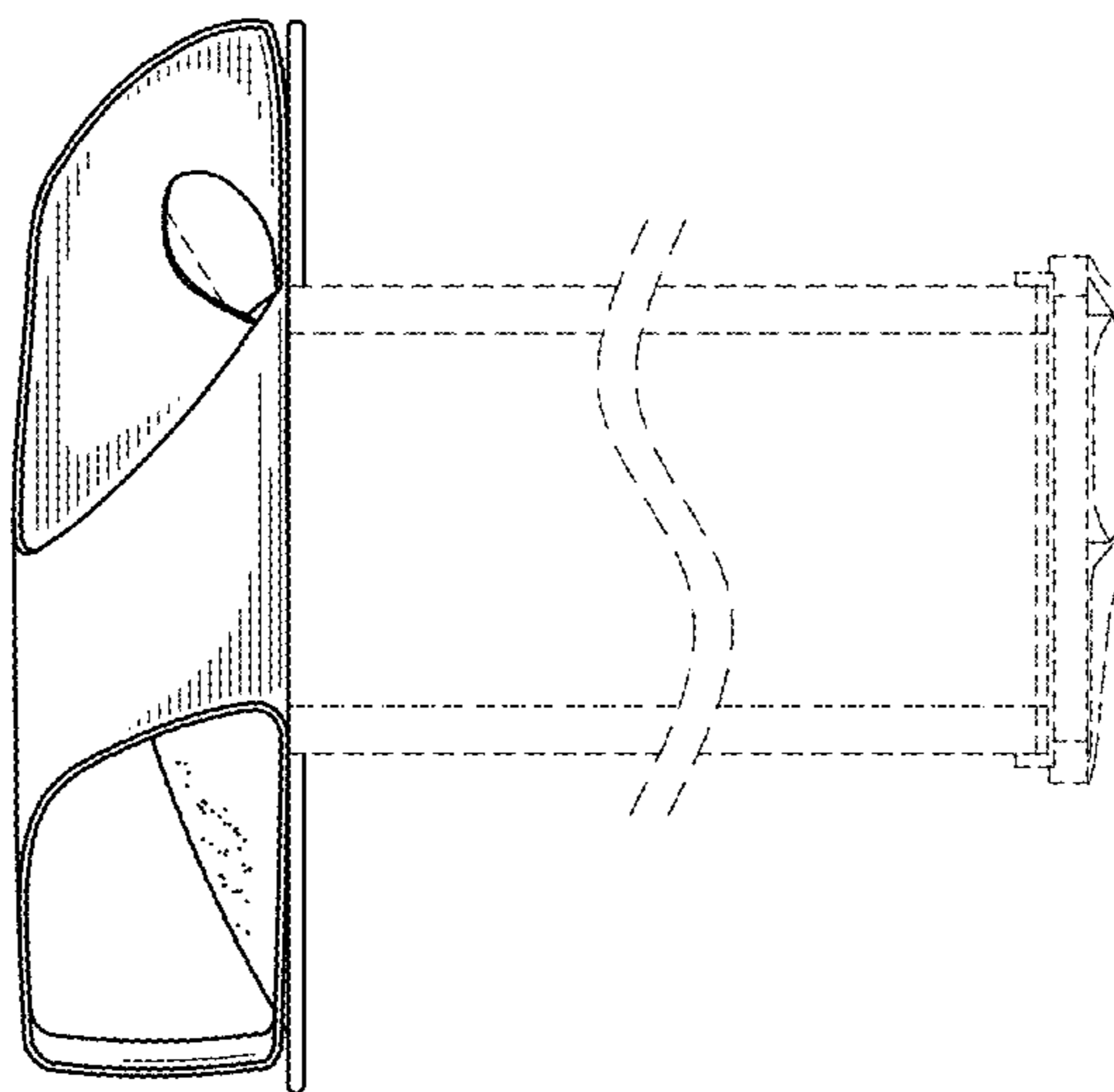


FIG. 5

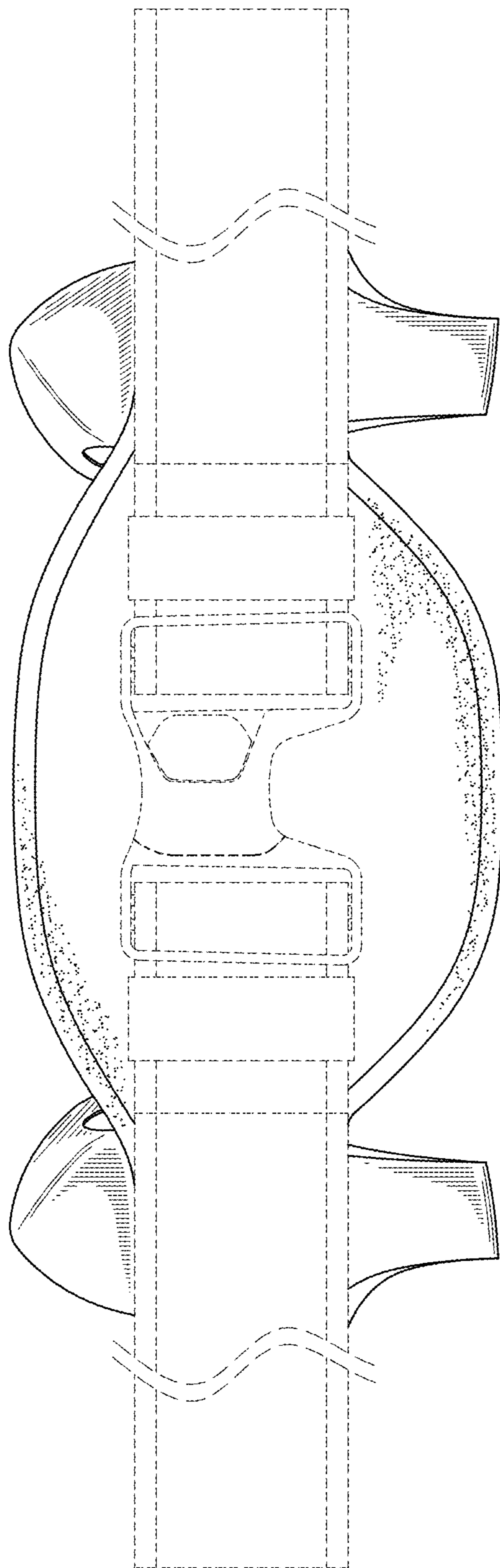


FIG.6

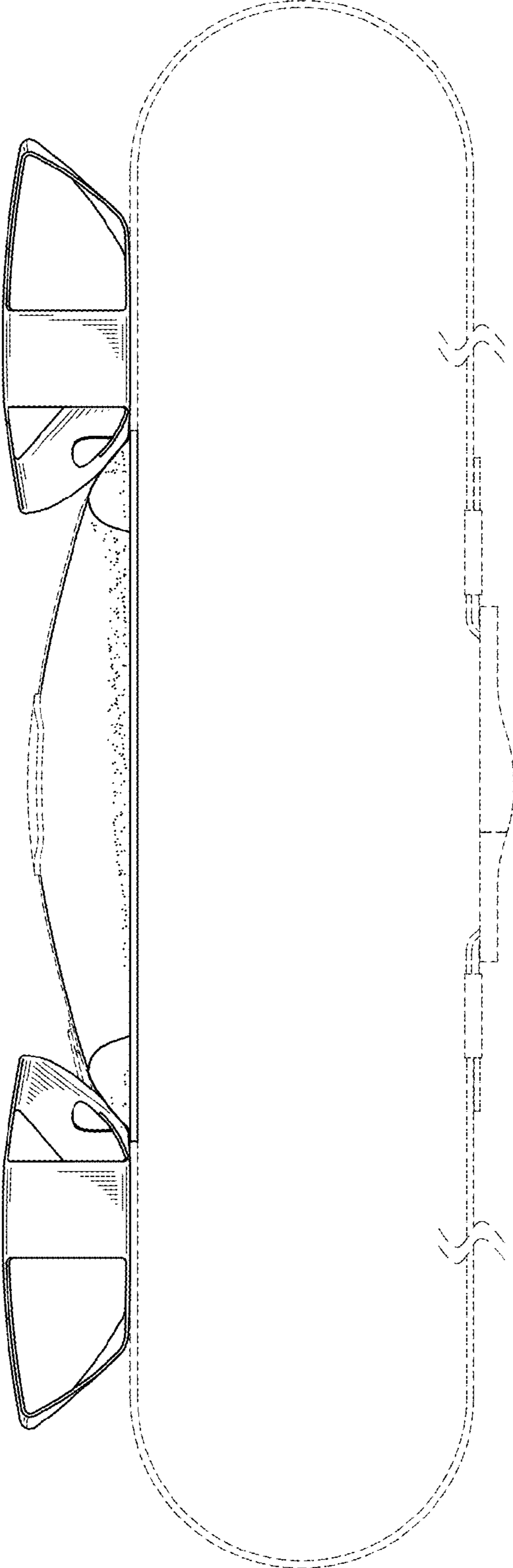


FIG. 7