

US00D706024S

(12) **United States Design Patent**
Ng

(10) **Patent No.:** **US D706,024 S**
(45) **Date of Patent:** **** Jun. 3, 2014**

- (54) **FOOTWEAR UPPER**
- (71) Applicant: **Deckers Outdoor Corporation**, Goleta, CA (US)
- (72) Inventor: **Natalie Ng**, Goleta, CA (US)
- (73) Assignee: **Deckers Outdoor Corporation**, Goleta, CA (US)
- (**) Term: **14 Years**
- (21) Appl. No.: **29/471,644**
- (22) Filed: **Nov. 4, 2013**
- (51) **LOC (10) Cl.** **02-04**
- (52) **U.S. Cl.**
USPC **D2/970**
- (58) **Field of Classification Search**
USPC D2/896, 900, 909-911, 943, 946, 969,
D2/970, 974; 36/83, 1.5, 2 R, 109, 3 A,
36/7.1 R, 45, 52, 112, 100
See application file for complete search history.

- D616,189 S 5/2010 MacIntyre
- D636,576 S 4/2011 MacIntyre
- D643,611 S * 8/2011 Ringholz D2/970
- D645,654 S 9/2011 MacIntyre
- D646,475 S * 10/2011 Boncutter D2/970
- D646,876 S * 10/2011 Roldan D2/970

* cited by examiner

Primary Examiner — Susan Bennett Hattan
Assistant Examiner — Rashida C McCoy
(74) *Attorney, Agent, or Firm* — Greer, Burns & Crain, Ltd.

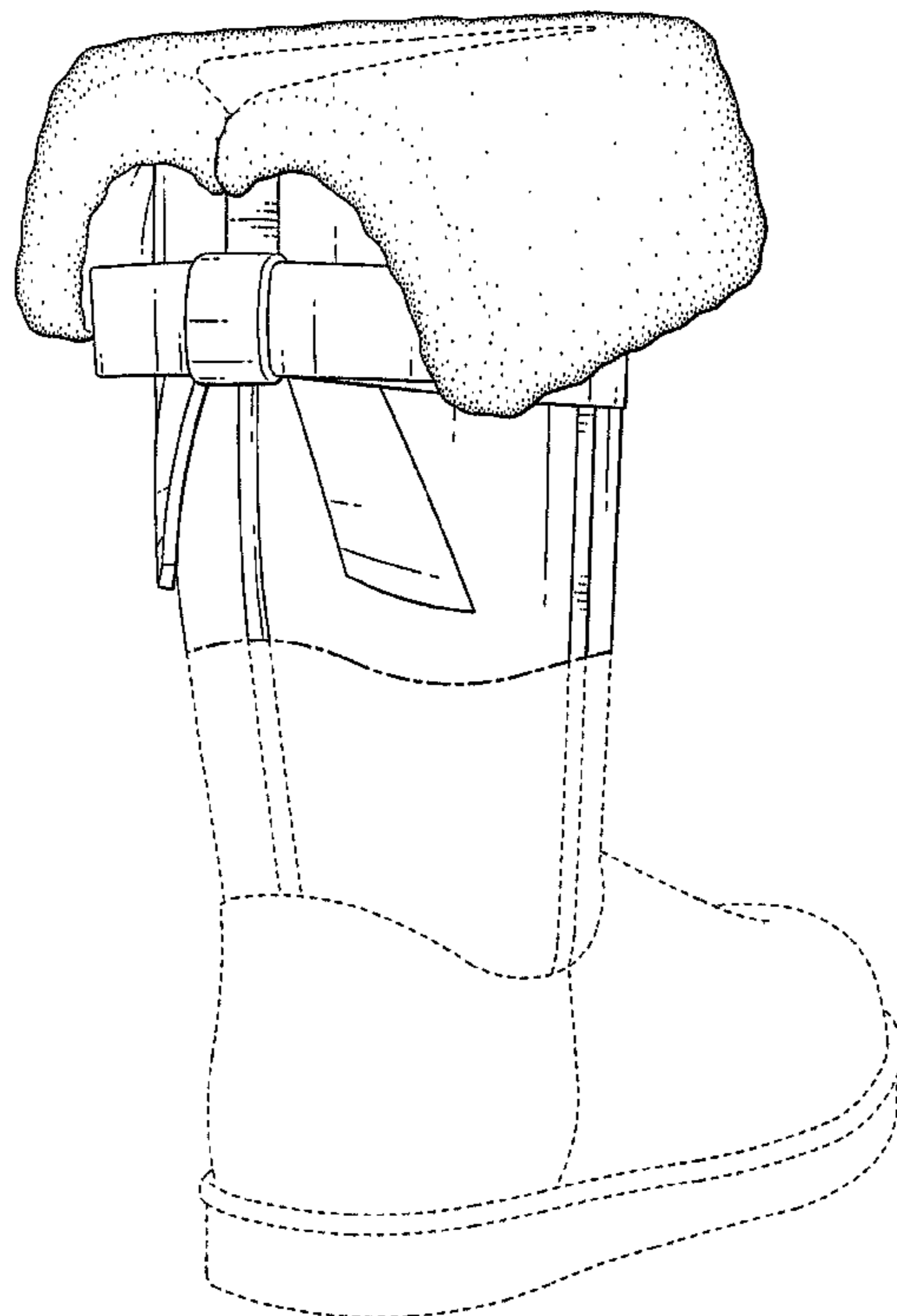
(57) **CLAIM**
The ornamental design for a footwear upper, as shown and described.

DESCRIPTION

FIG. 1 is a perspective view of a footwear upper showing my new design;
FIG. 2 is a side elevational view thereof;
FIG. 3 is an opposite side elevational view thereof;
FIG. 4 is a front elevational view thereof;
FIG. 5 is a rear elevational view thereof;
FIG. 6 is a top plan view thereof; and,
FIG. 7 is a bottom plan view thereof.
The broken lines in FIGS. 1-7 represent portions of the footwear that form no part of the claimed design. The broken line located between the exterior and the interior of the footwear upper, and the dot-dash line define the bounds of the claimed design and form no part thereof.

- (56) **References Cited**
U.S. PATENT DOCUMENTS
D572,893 S * 7/2008 Le D2/970
D575,050 S * 8/2008 St-Louis et al. D2/970
D585,635 S * 2/2009 Le D2/970
D598,642 S * 8/2009 Plumert D2/970

1 Claim, 5 Drawing Sheets



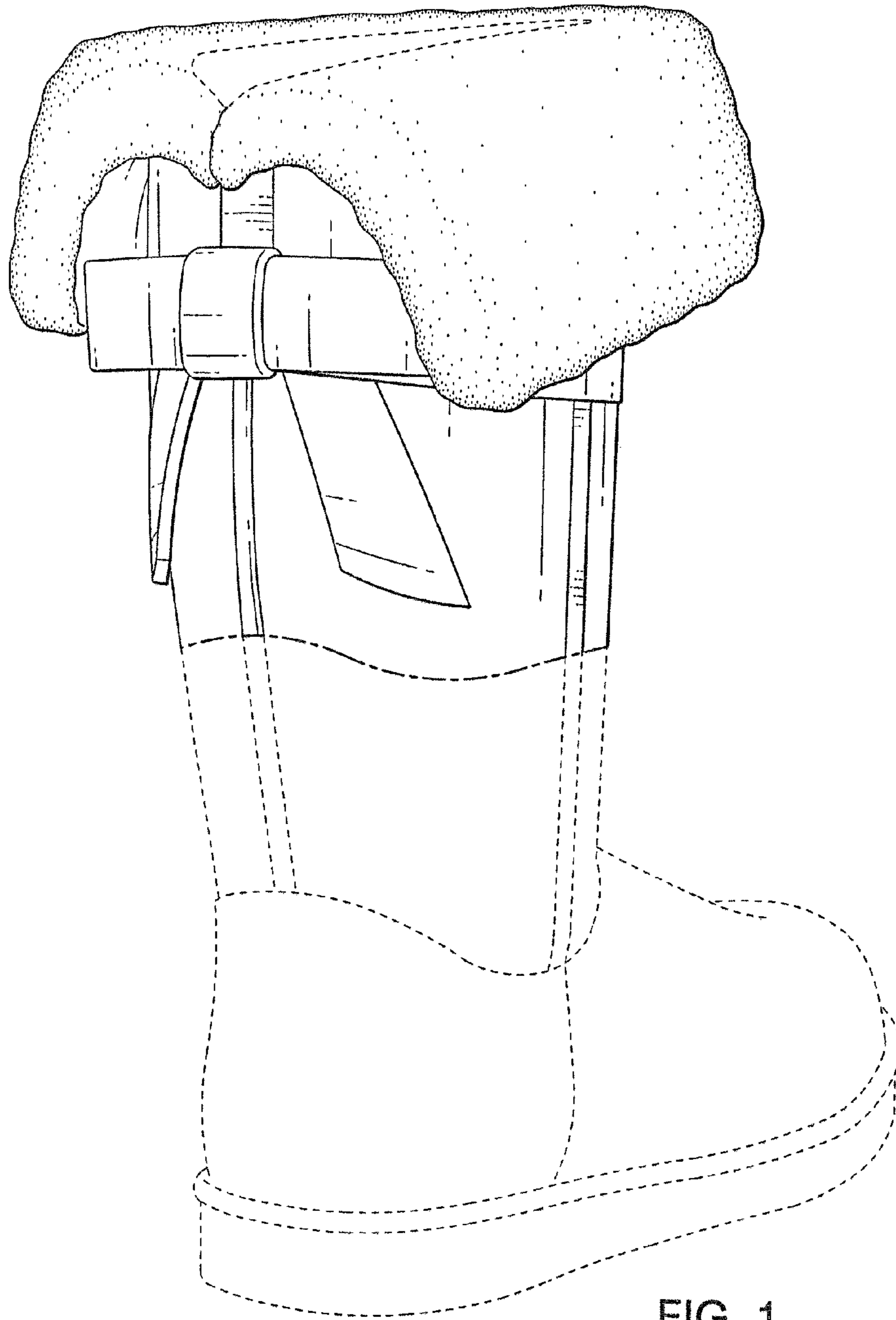


FIG. 1

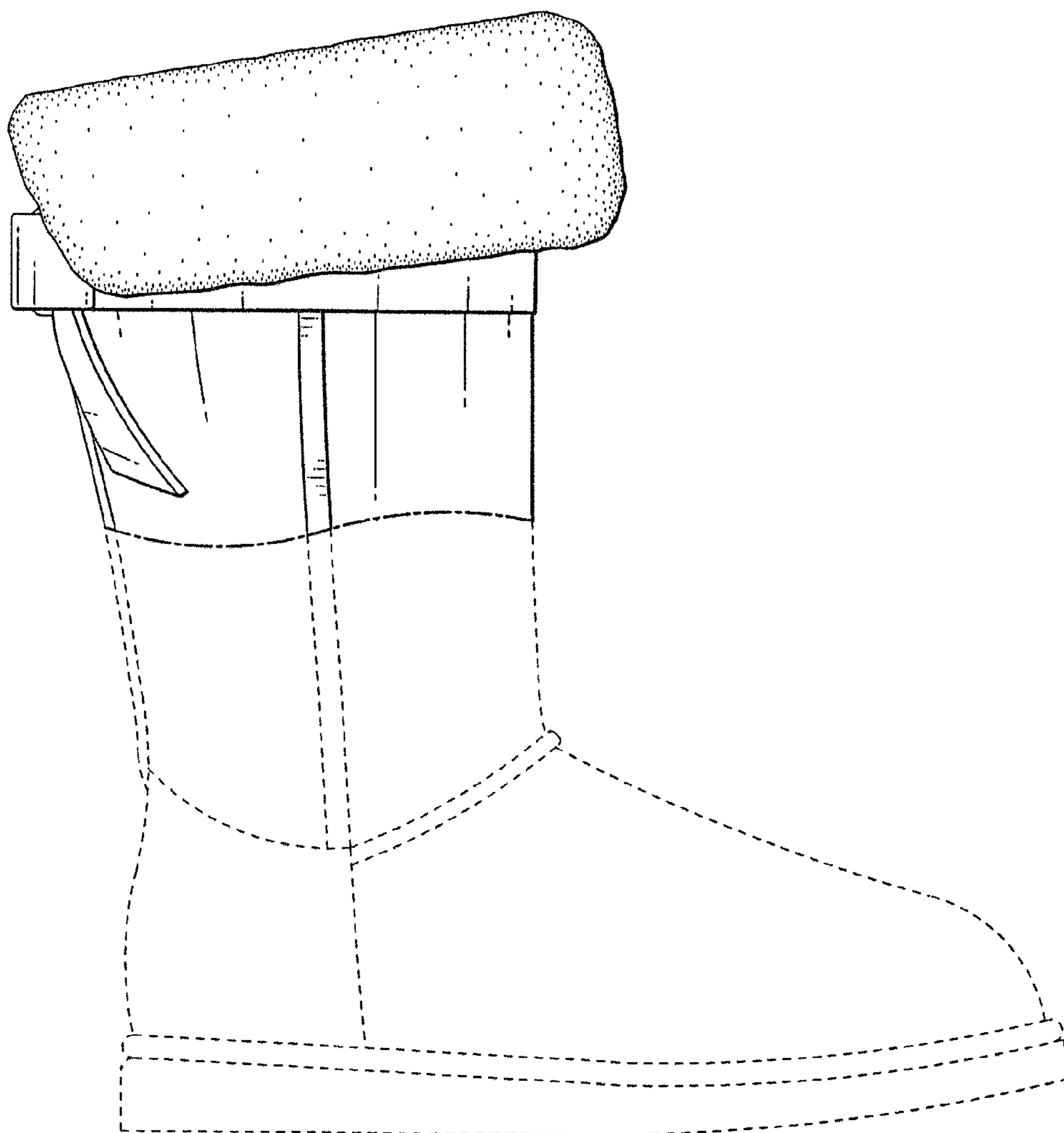


FIG. 2

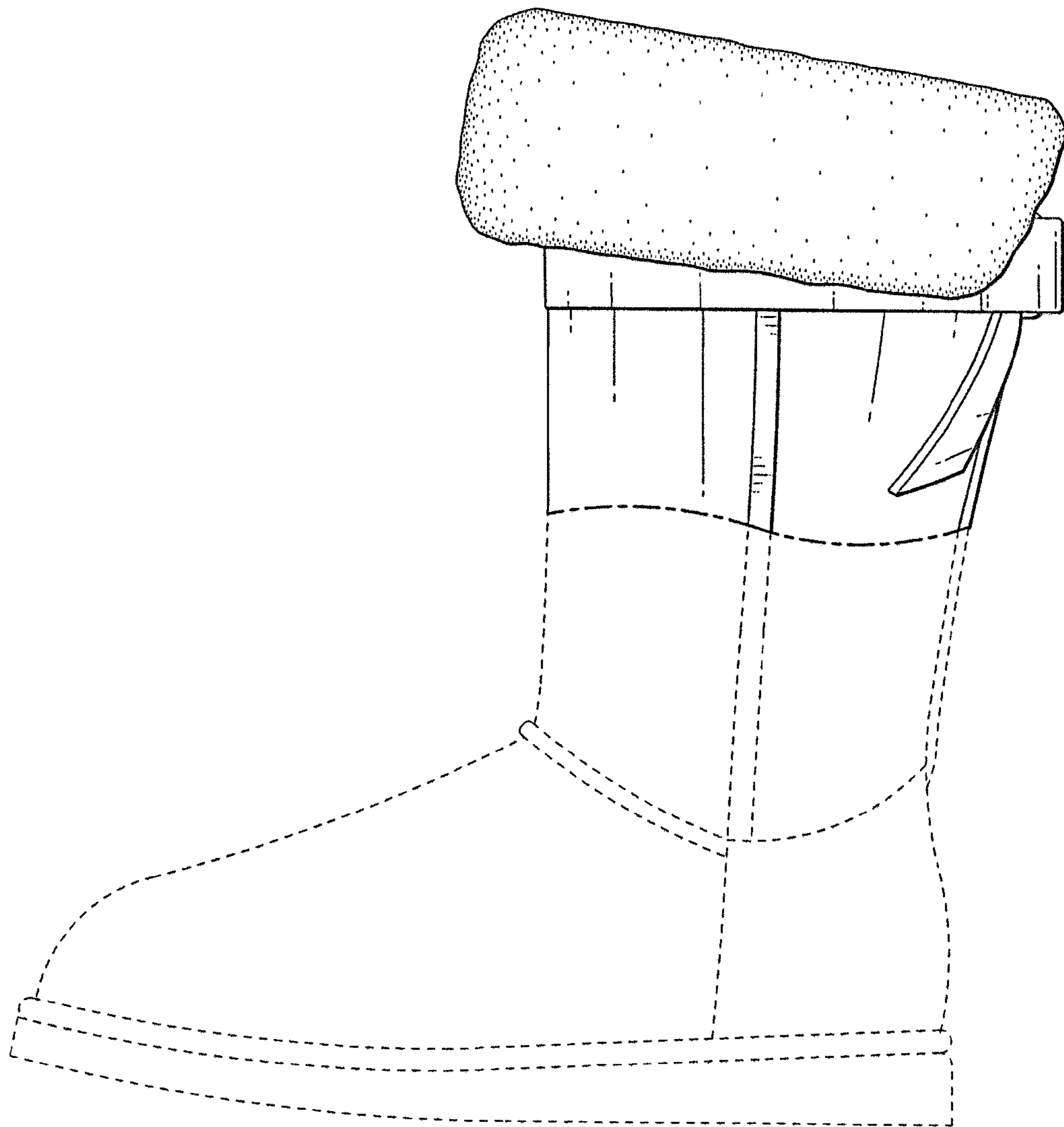


FIG. 3

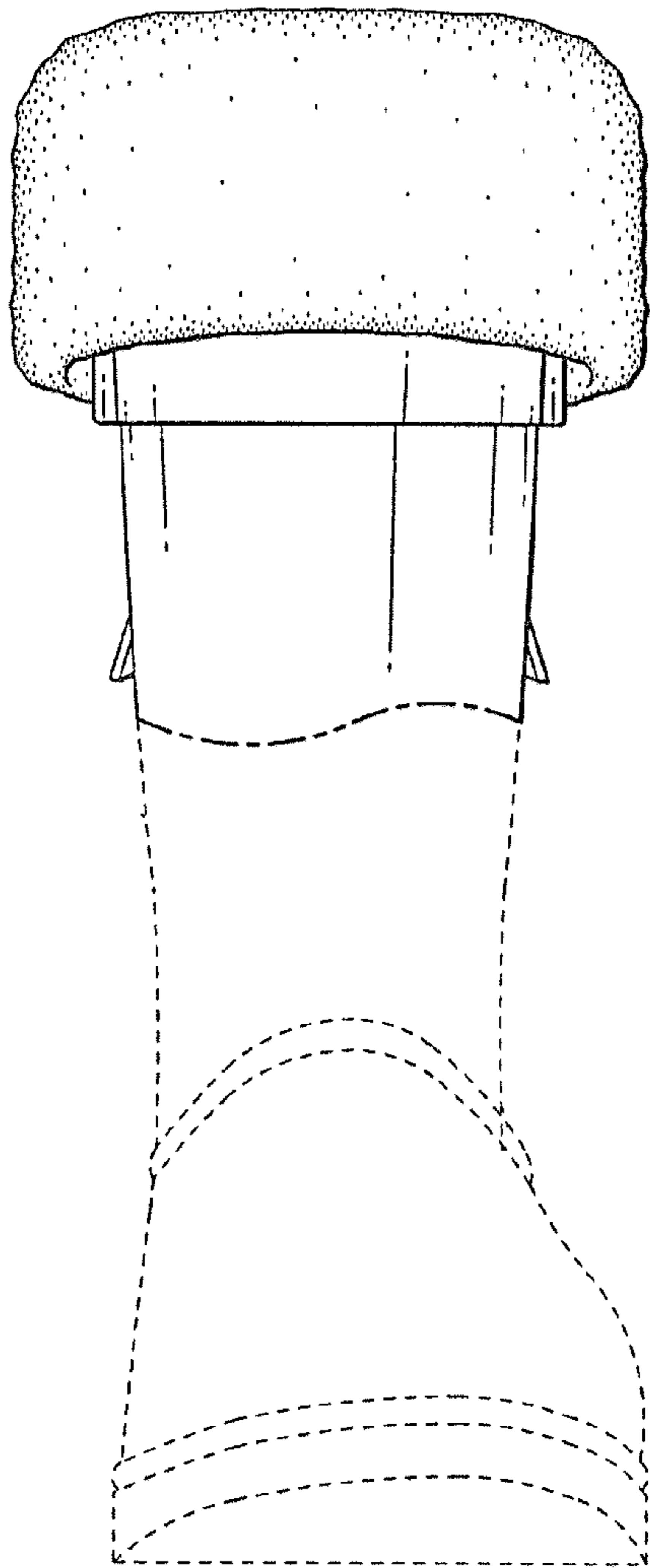


FIG. 4

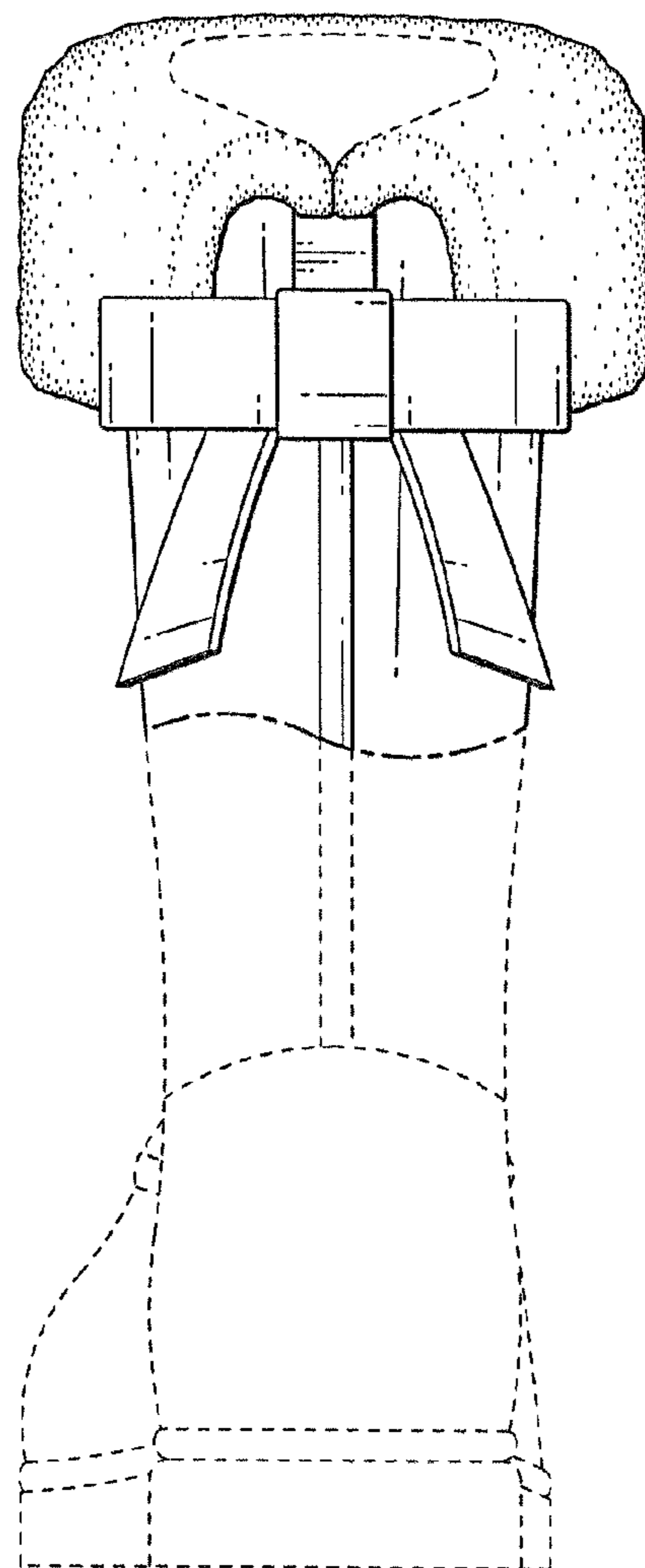


FIG. 5

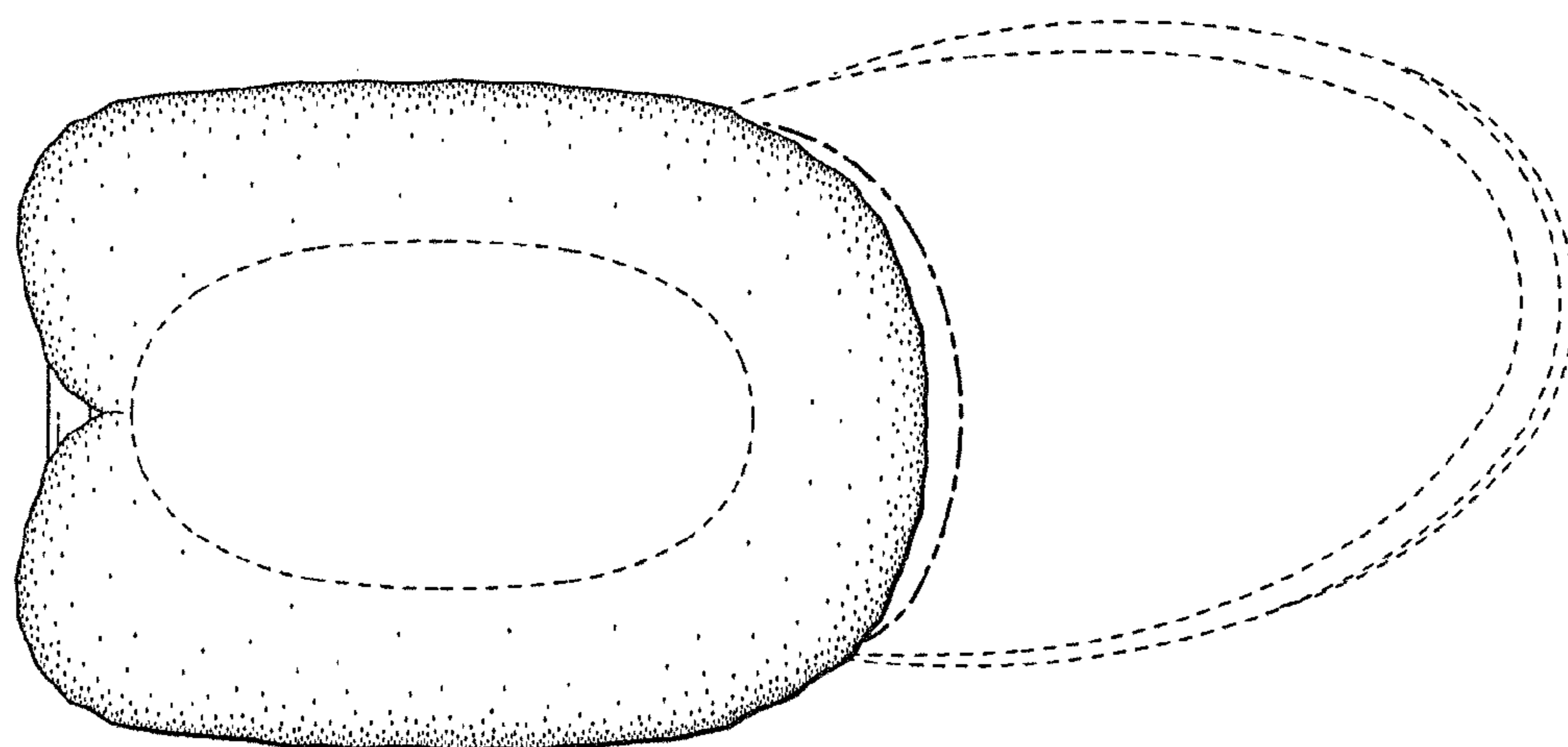


FIG. 6

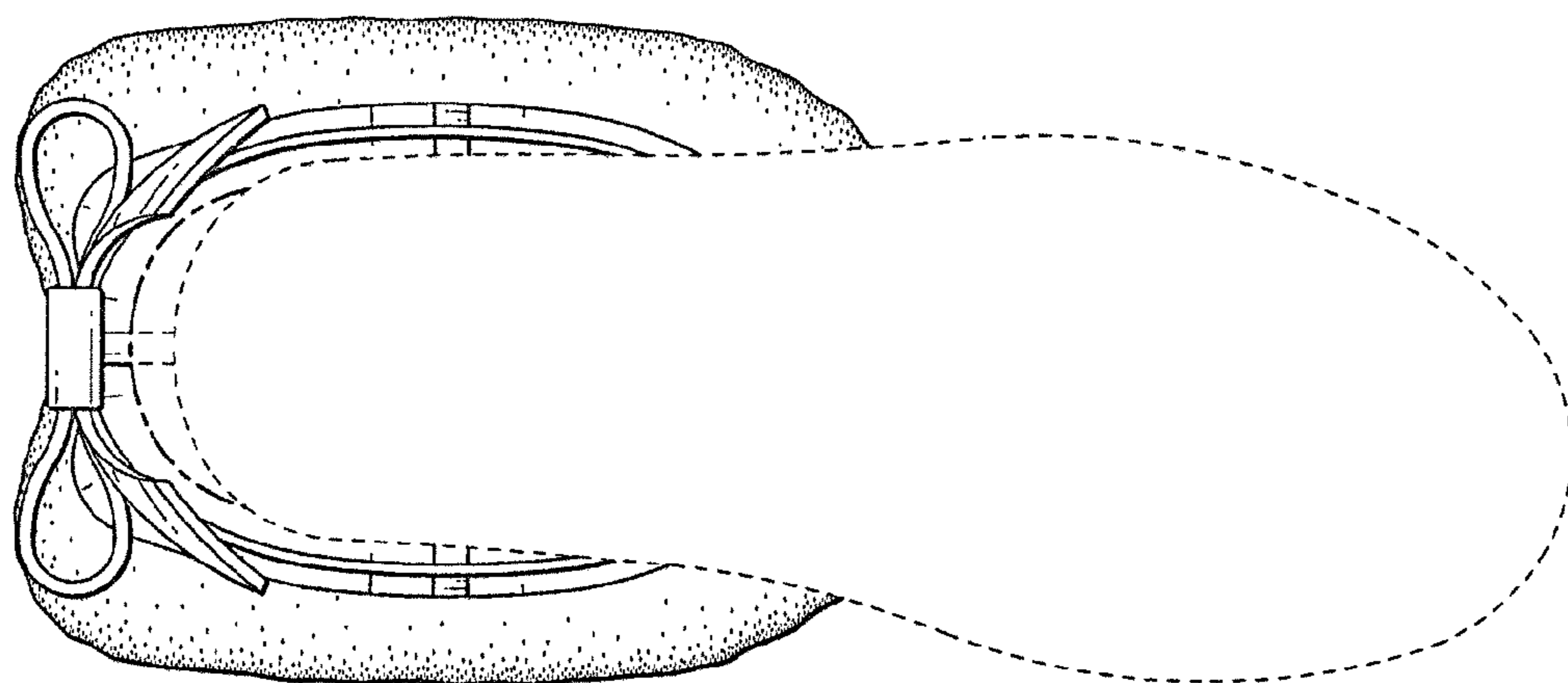


FIG. 7