



US00D706022S

(12) **United States Design Patent**  
**Levering**

(10) **Patent No.:** **US D706,022 S**  
(45) **Date of Patent:** **\*\* Jun. 3, 2014**

- (54) **COMBINED SHIRT AND APRON**
- (71) Applicant: **Bunnie Levering**, Omaha, NE (US)
- (72) Inventor: **Bunnie Levering**, Omaha, NE (US)
- (\*\*) Term: **14 Years**
- (21) Appl. No.: **29/451,362**
- (22) Filed: **Apr. 1, 2013**
- (51) **LOC (10) Cl.** ..... **02-02**
- (52) **U.S. Cl.**  
USPC ..... **D2/864**
- (58) **Field of Classification Search**  
USPC ..... D2/860, 861, 864; 2/46, 48-51  
See application file for complete search history.

- D575,936 S \* 9/2008 Fenderson et al. .... D2/864
- D640,449 S \* 6/2011 Roach ..... D2/861
- D657,940 S \* 4/2012 Edery ..... D2/860
- 2011/0010816 A1\* 1/2011 Johnson ..... 2/48

\* cited by examiner

*Primary Examiner* — Rashida Johnson  
(74) *Attorney, Agent, or Firm* — Stinson Leonard Street LLP

(57) **CLAIM**  
The ornamental design for a combined shirt and apron, as shown and described.

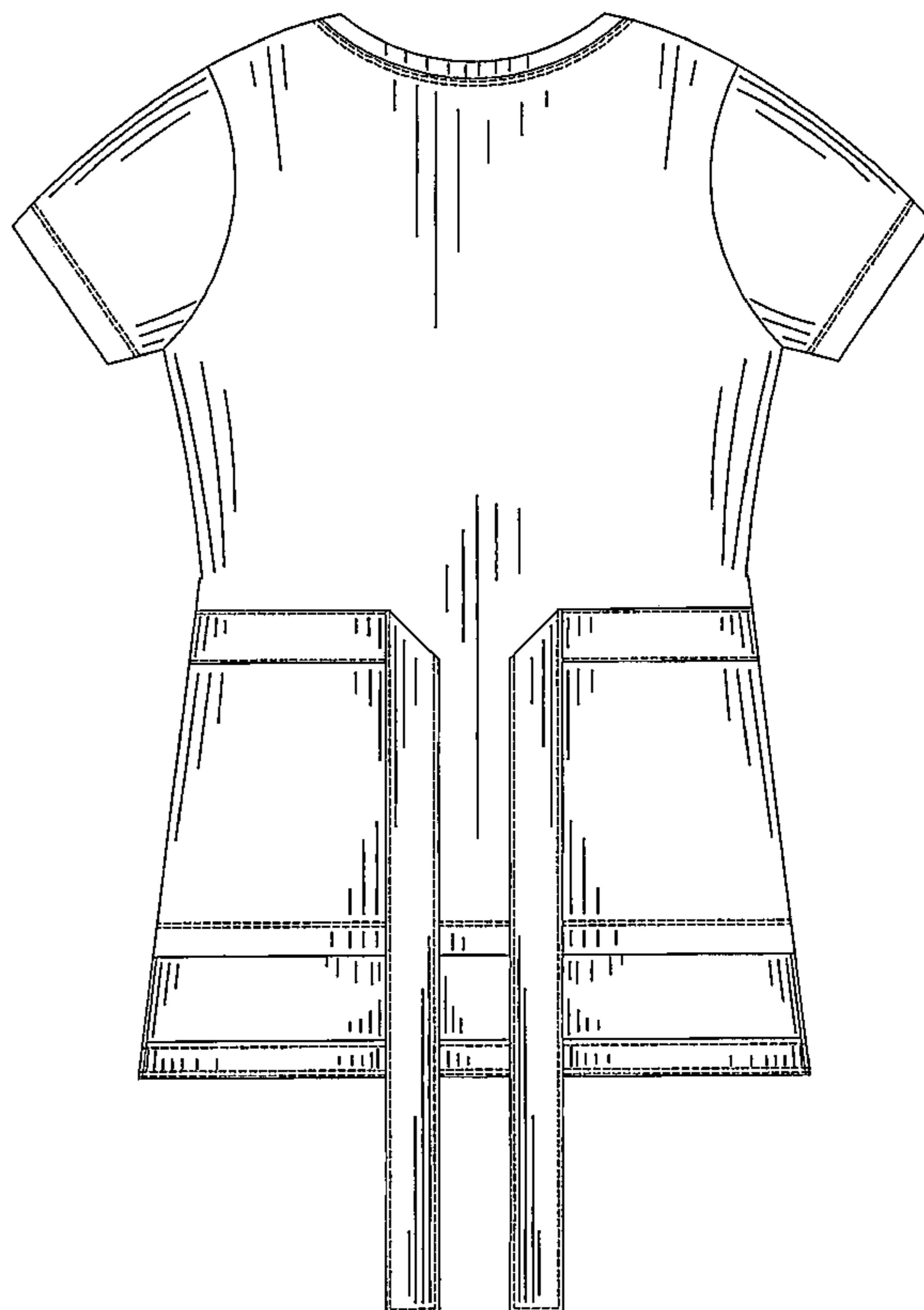
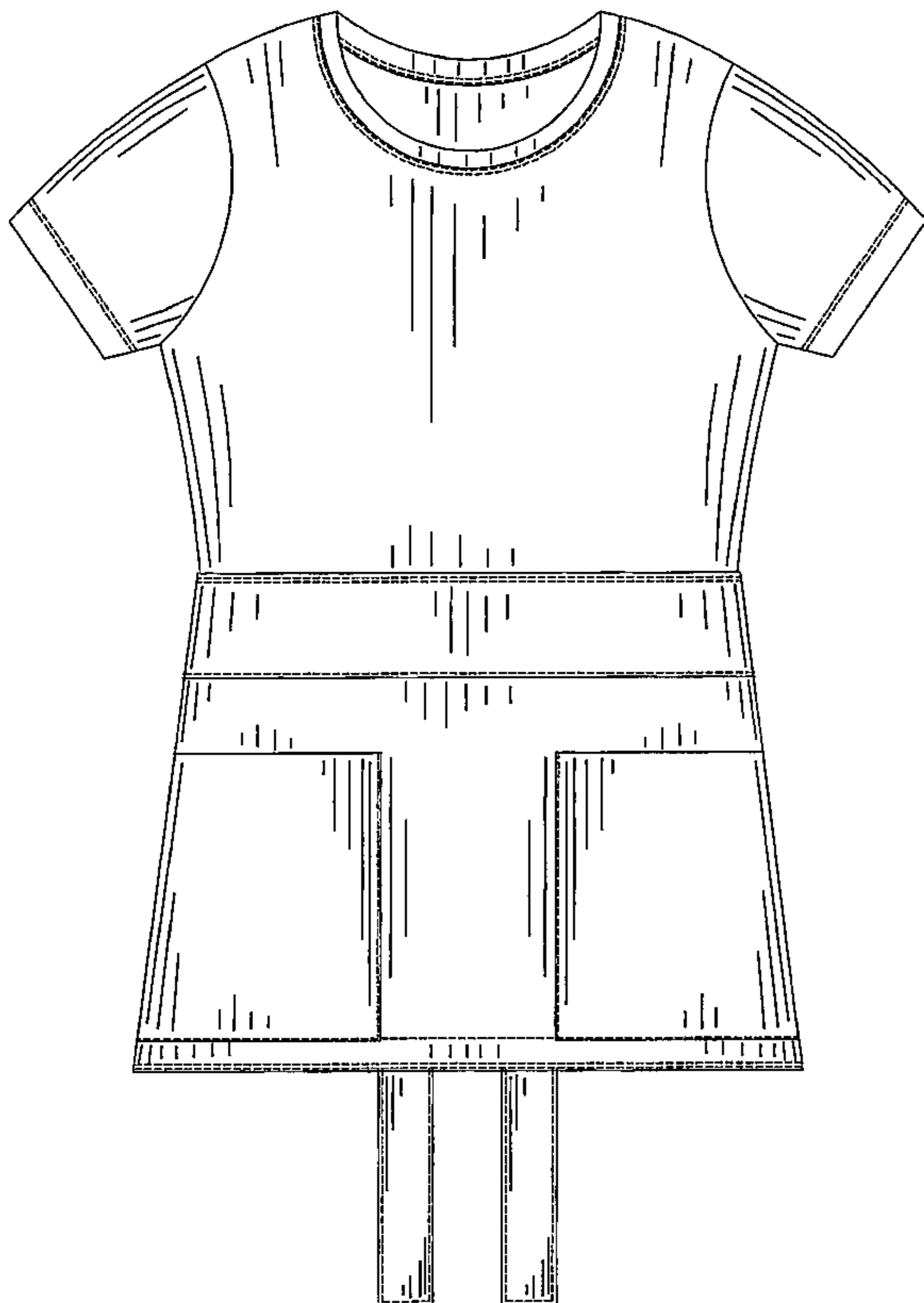
**DESCRIPTION**

FIG. 1 is a front perspective view of a combined shirt and apron showing my new design;  
FIG. 2 is a top plan view thereof;  
FIG. 3 is a front elevational view thereof;  
FIG. 4 is a left side elevational view thereof;  
FIG. 5 is a back elevational view thereof;  
FIG. 6 is a right side elevational view thereof; and,  
FIG. 7 is a bottom plan view thereof.

In FIG. 1, the longer broken lines showing a longer sleeve length, a shirt collar, an open shirt neck and buttons are included only for the purpose of illustrating environment, and form no part of the claimed design. The shorter broken lines within the claimed areas in the views represent stitching. None of the broken lines form any part of the claimed design.

**1 Claim, 7 Drawing Sheets**

- (56) **References Cited**  
U.S. PATENT DOCUMENTS
- |           |   |   |         |            |       |        |
|-----------|---|---|---------|------------|-------|--------|
| 1,284,252 | A | * | 11/1918 | Dalton     | ..... | 2/49.3 |
| 1,323,859 | A | * | 12/1919 | Henderson  | ..... | 2/51   |
| D170,156  | S | * | 8/1953  | Hagan      | ..... | D2/864 |
| D182,726  | S | * | 5/1958  | Kaye       | ..... | D2/777 |
| D237,022  | S | * | 10/1975 | Mathis     | ..... | D2/864 |
| D250,737  | S | * | 1/1979  | Brosk      | ..... | D2/864 |
| D288,020  | S | * | 2/1987  | Miller     | ..... | D2/864 |
| D344,393  | S | * | 2/1994  | Winter     | ..... | D2/860 |
| D507,393  | S | * | 7/2005  | Gabrielson | ..... | D2/864 |



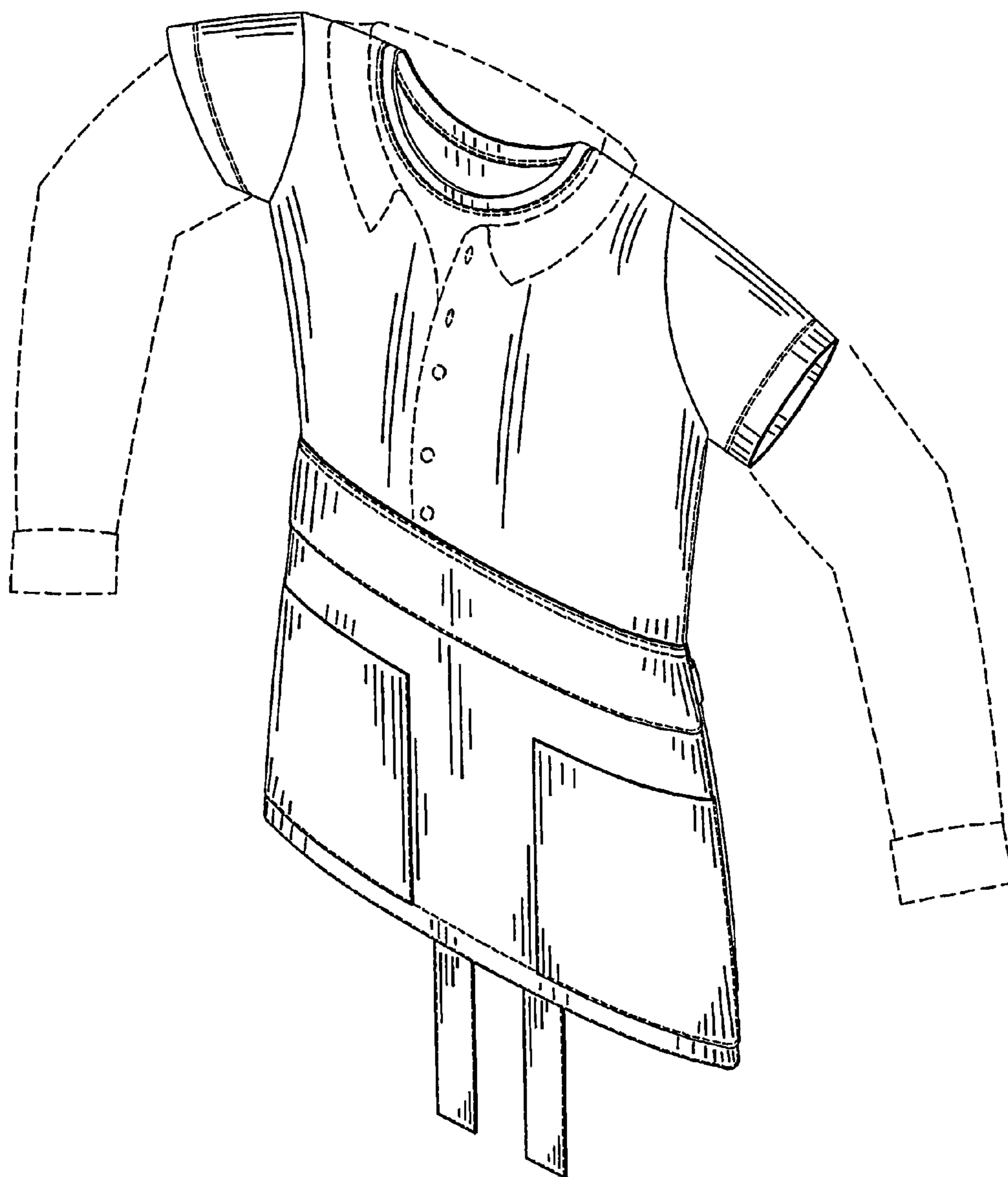
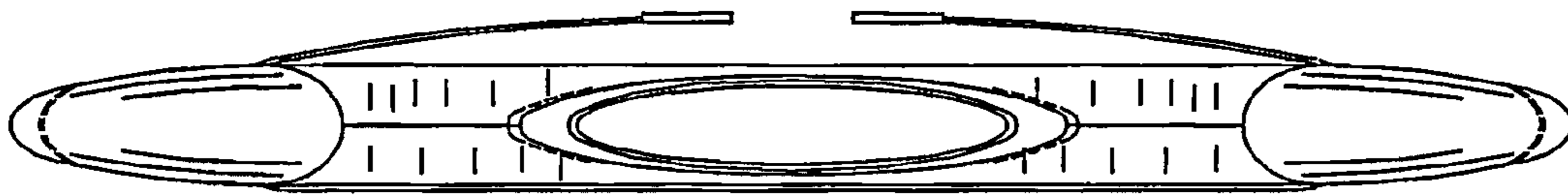


FIG. 1



*FIG. 2*

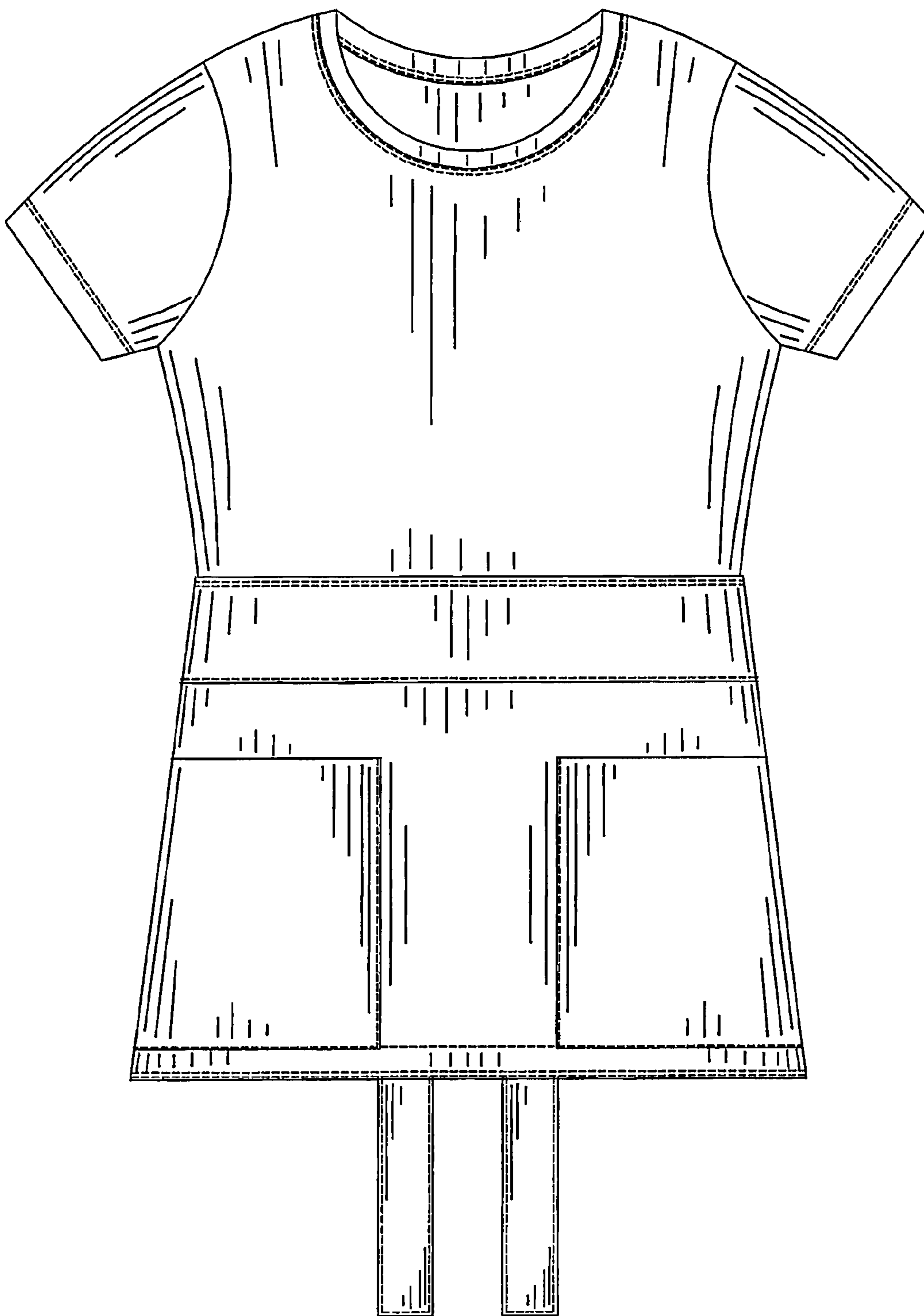


FIG. 3

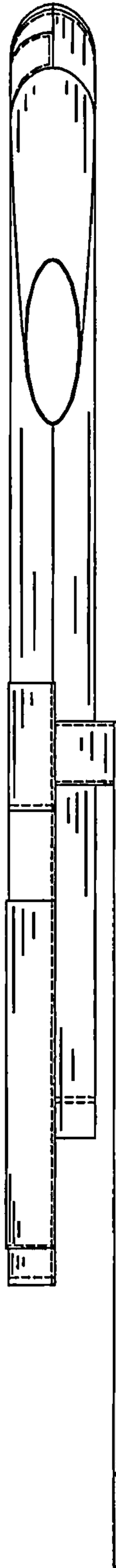


FIG. 4

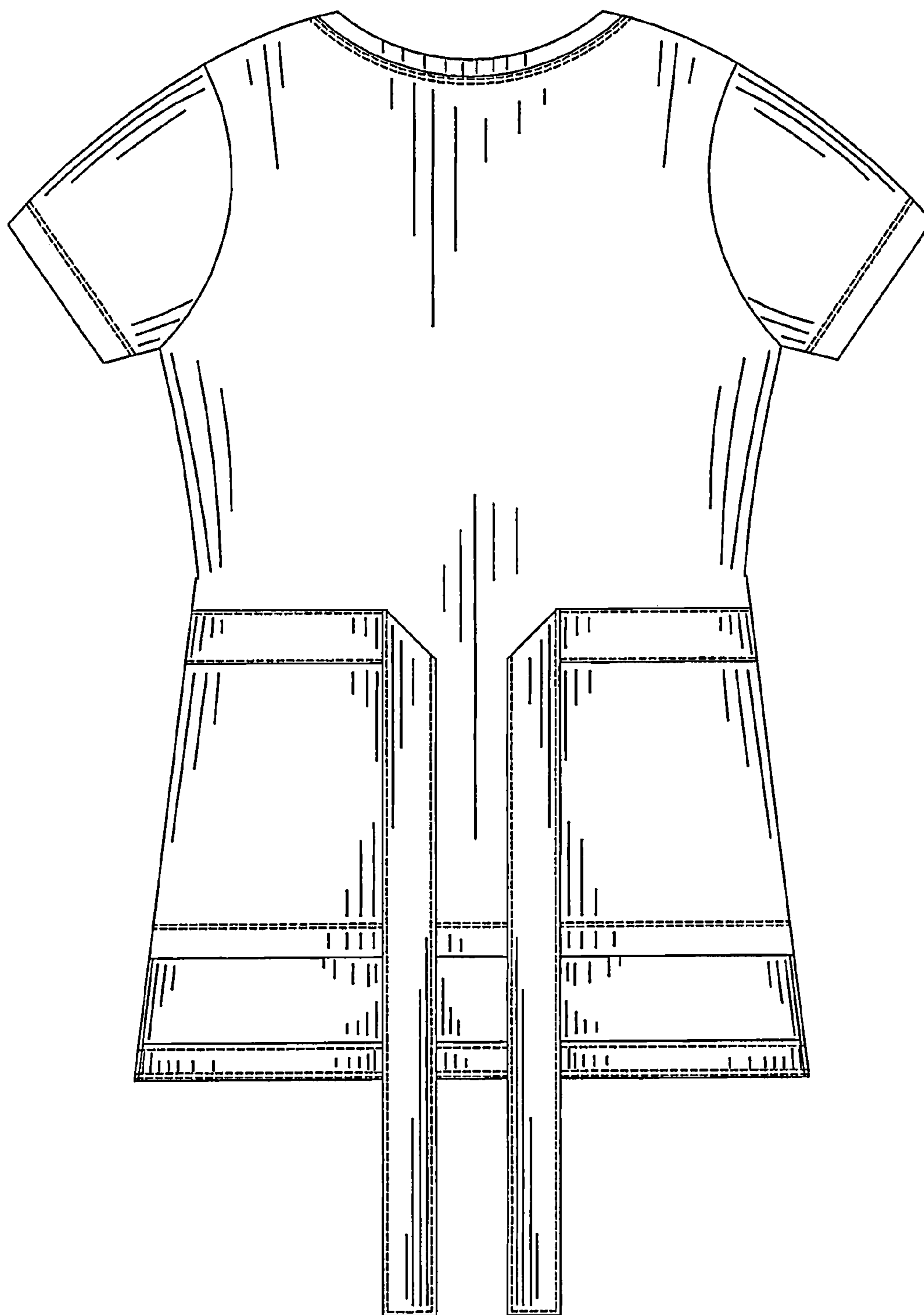


FIG. 5

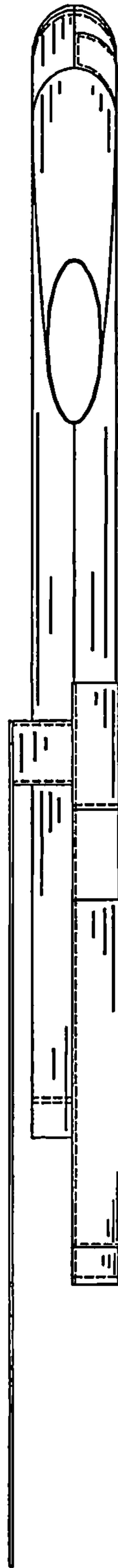
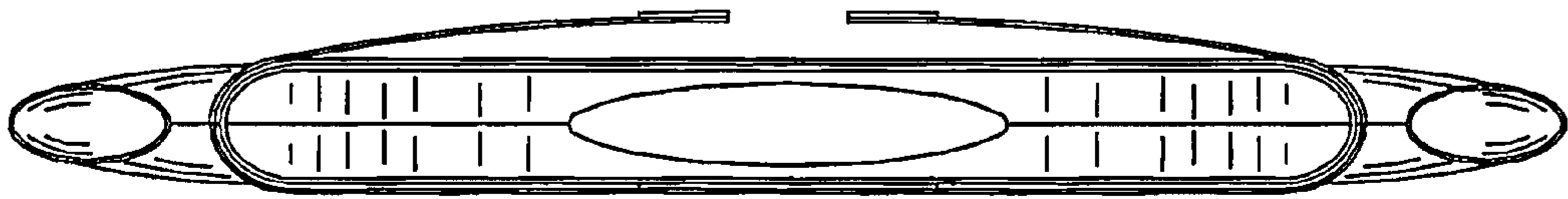


FIG. 6



*FIG. 7*