



US00D706018S

(12) **United States Design Patent**  
**Gesser et al.**

(10) **Patent No.:** **US D706,018 S**  
(45) **Date of Patent:** **\*\* Jun. 3, 2014**

- (54) **UNDERGARMENT WAISTBAND**
- (71) Applicants: **Ronald H Gesser**, Palm Beach Gardens, FL (US); **Eileen Gesser**, Palm Beach Gardens, FL (US)
- (72) Inventors: **Ronald H Gesser**, Palm Beach Gardens, FL (US); **Eileen Gesser**, Palm Beach Gardens, FL (US)

(\*\*) Term: **14 Years**  
(21) Appl. No.: **29/453,796**

- (22) Filed: **May 2, 2013**
- (51) **LOC (10) Cl.** ..... **02-03**
- (52) **U.S. Cl.**  
USPC ..... **D2/712**
- (58) **Field of Classification Search**  
USPC ..... D2/712, 713, 714, 715, 716, 731, 736, D2/737, 738, 739, 857, 884; D24/126; 2/10, 15, 67, 78.1, 78.2, 78.3, 78.4, 2/228, 234, 235, 236, 237, 238, 247, 401, 2/402, 403, 404, 405, 406, 407, 408; 602/67; 604/396

See application file for complete search history.

(56) **References Cited**

**U.S. PATENT DOCUMENTS**

- D464,470 S \* 10/2002 Melgarejo ..... D29/122
- D507,394 S \* 7/2005 Moses ..... D2/894
- 7,806,880 B2 10/2010 Roe et al.
- D634,925 S 3/2011 Gesser et al.
- D661,871 S \* 6/2012 Savage ..... D2/742
- 8,272,071 B2 \* 9/2012 Kaiser ..... 2/15
- D676,137 S \* 2/2013 Lindberg et al. .... D24/187

- D686,801 S \* 7/2013 Farina ..... D2/853
- D687,214 S \* 8/2013 Farina et al. .... D2/853
- 2009/0282598 A1 \* 11/2009 Sumar ..... 2/67

\* cited by examiner

*Primary Examiner* — Karen E Eldridge Powers

(74) *Attorney, Agent, or Firm* — Perry Hoffman

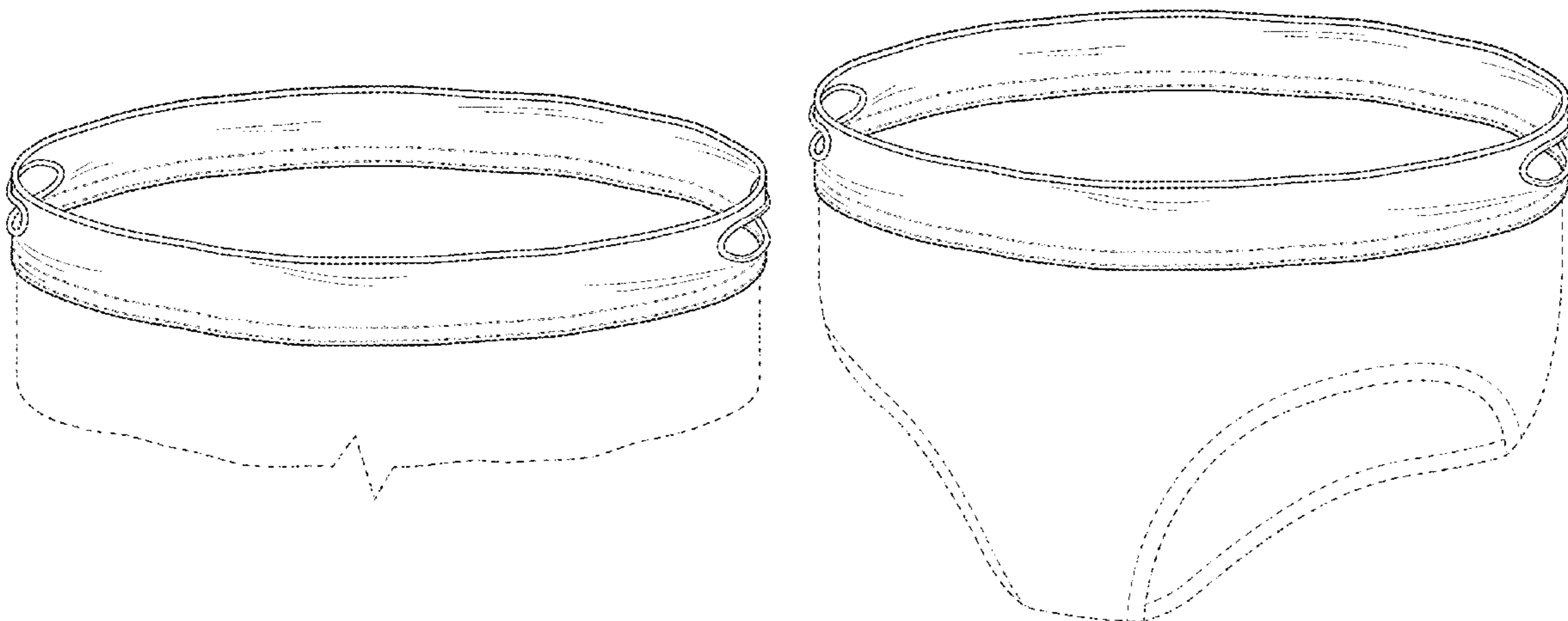
(57) **CLAIM**

The ornamental design for an undergarment waistband, as shown and described.

**DESCRIPTION**

FIG. 1 is a first perspective view of the undergarment waistband of the instant invention;  
 FIG. 2 is a front elevation view thereof;  
 FIG. 3 is a rear elevation view thereof;  
 FIG. 4 is a right side elevation view thereof;  
 FIG. 5 is a left side elevation view thereof;  
 FIG. 6 is a top plan view thereof;  
 FIG. 7 is a bottom plan view thereof;  
 FIG. 4 is a right view thereof;  
 FIG. 5 is a left view thereof;  
 FIG. 6 is a top view thereof;  
 FIG. 7 is a bottom view thereof;  
 FIG. 8 is an alternate perspective view of the undergarment waistband of the instant invention; and,  
 FIG. 9 is an alternate perspective view of the undergarment waistband of the instant invention.  
 The broken lines shown are included for the purpose of illustrating the unclaimed portions of the article that form no part of the claimed design.

**1 Claim, 5 Drawing Sheets**



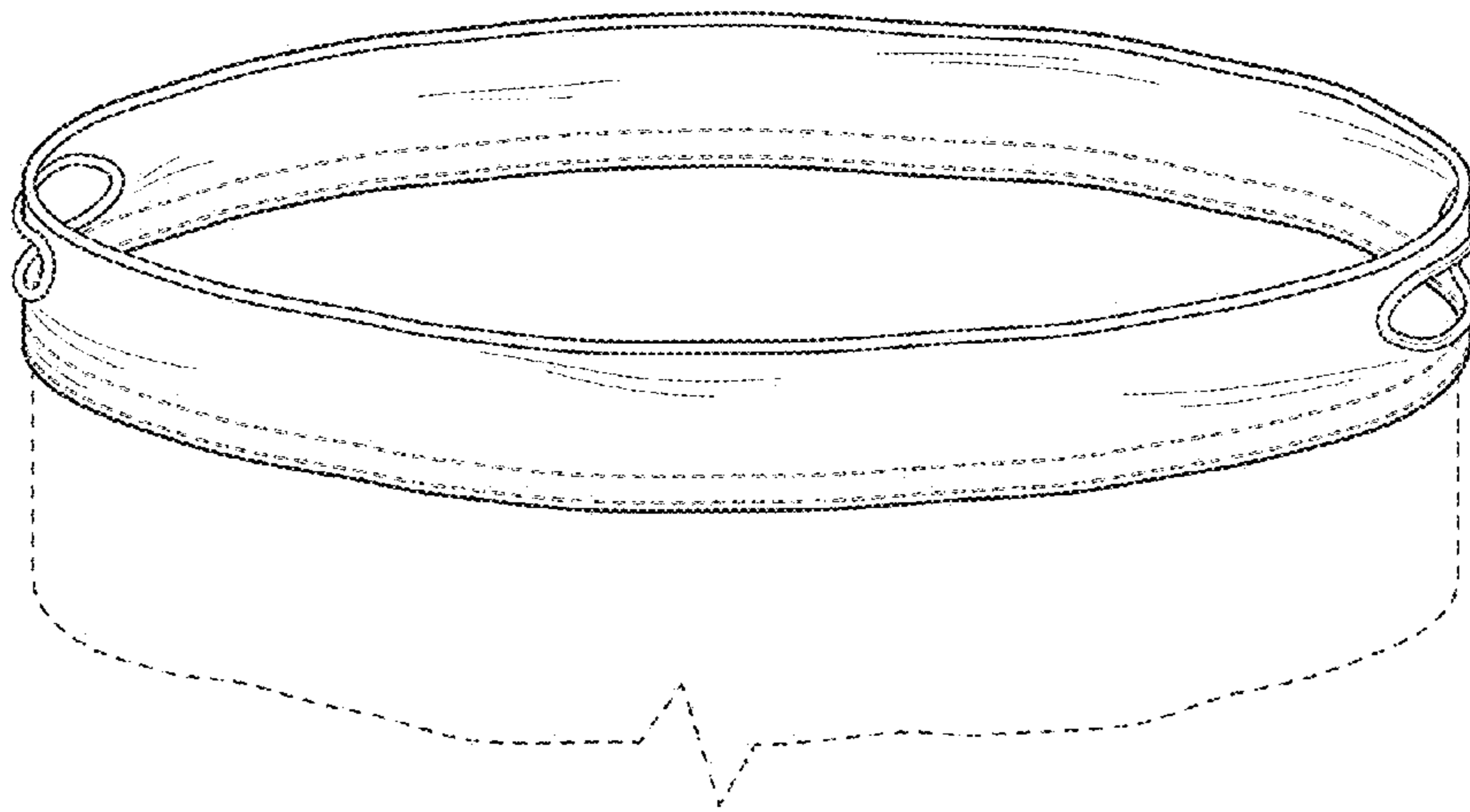


FIG. 1

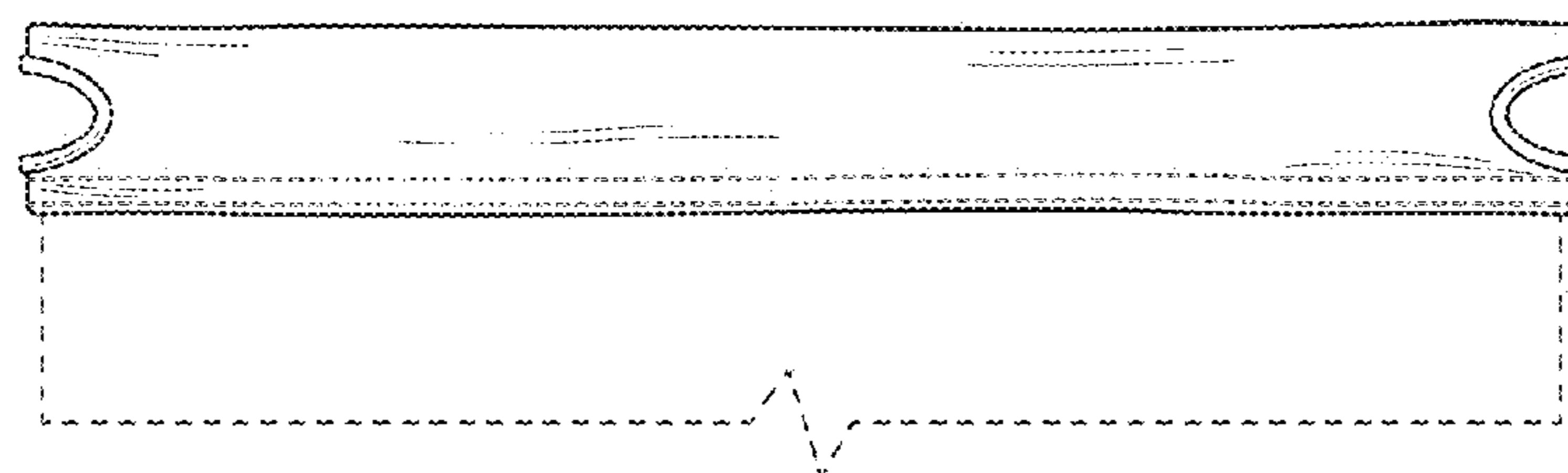


FIG. 2

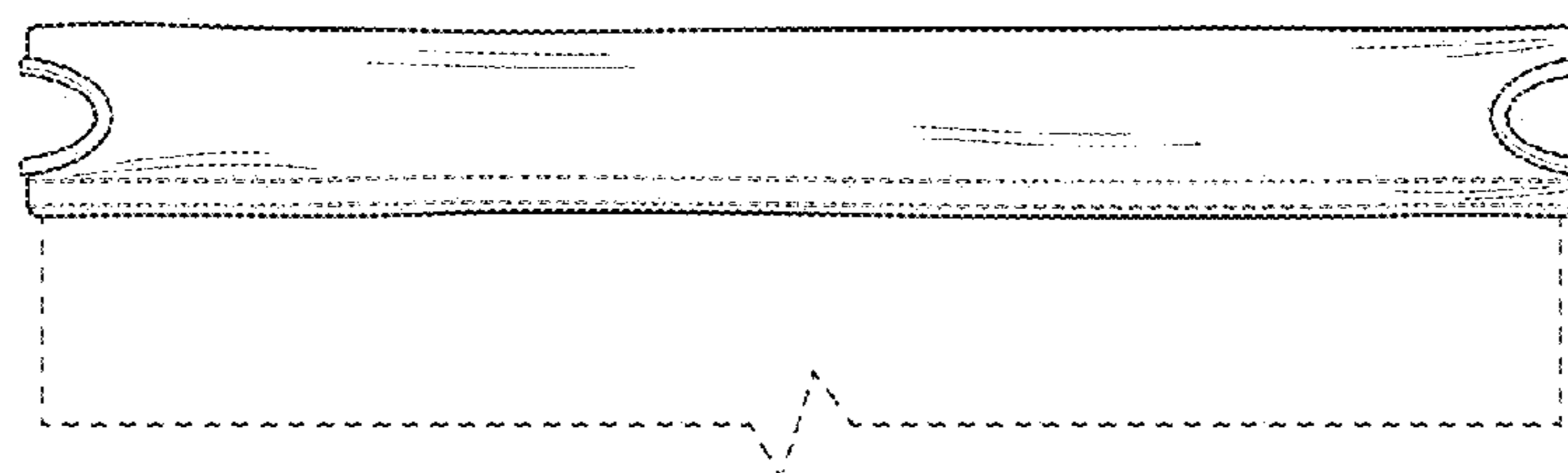


FIG. 3

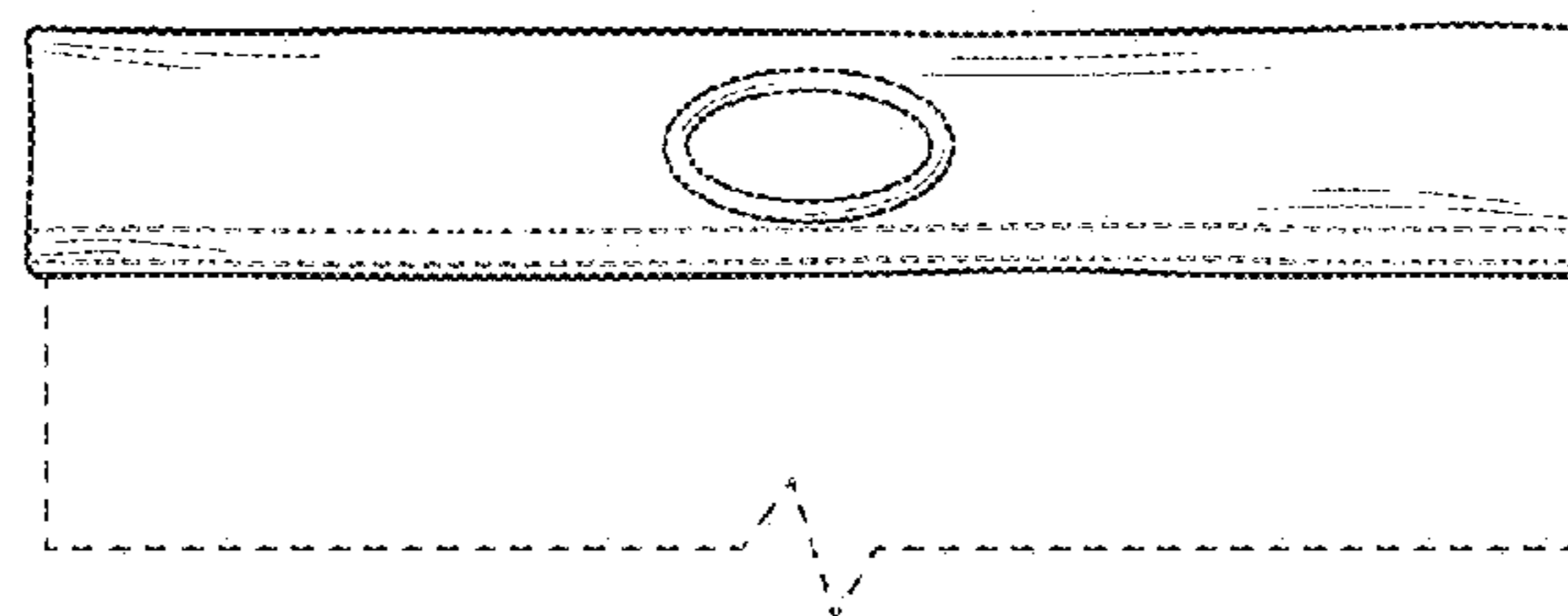


FIG. 4

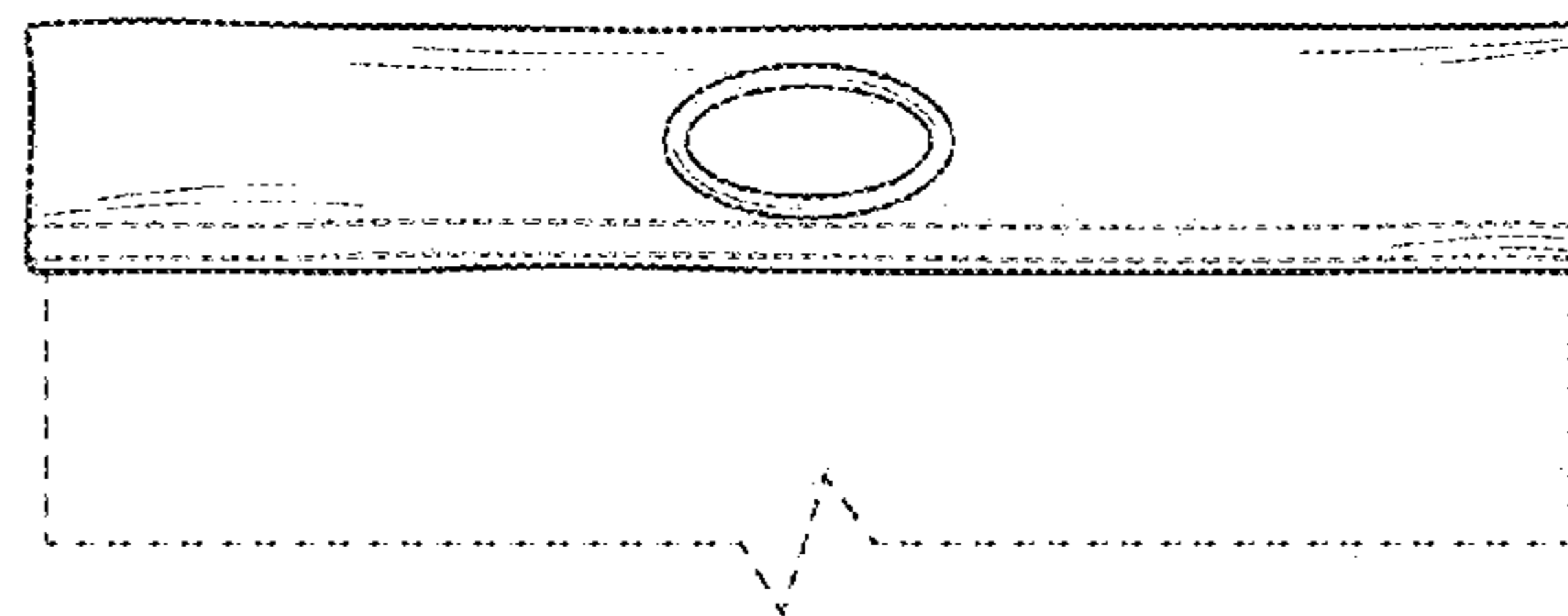


FIG. 5

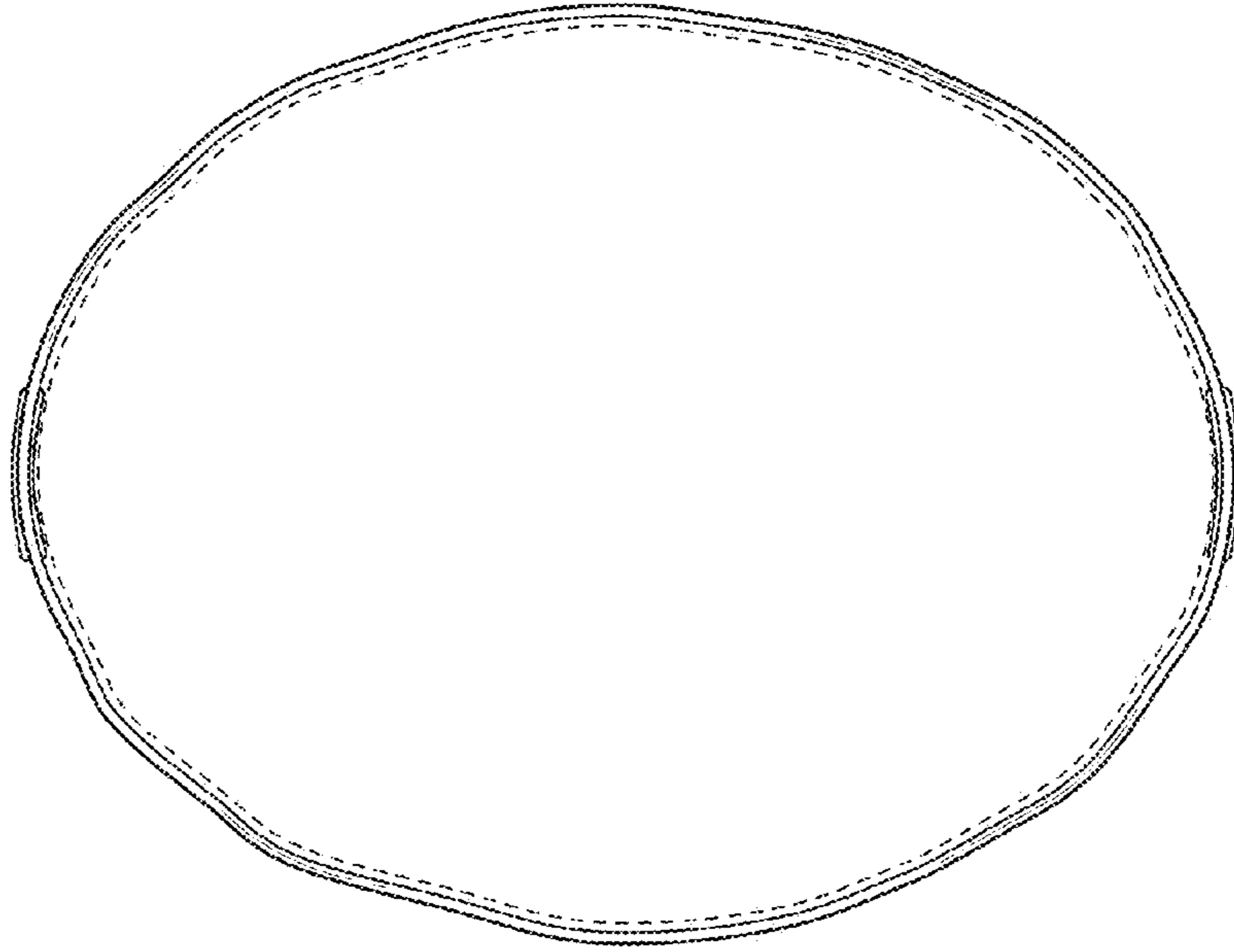


FIG. 6

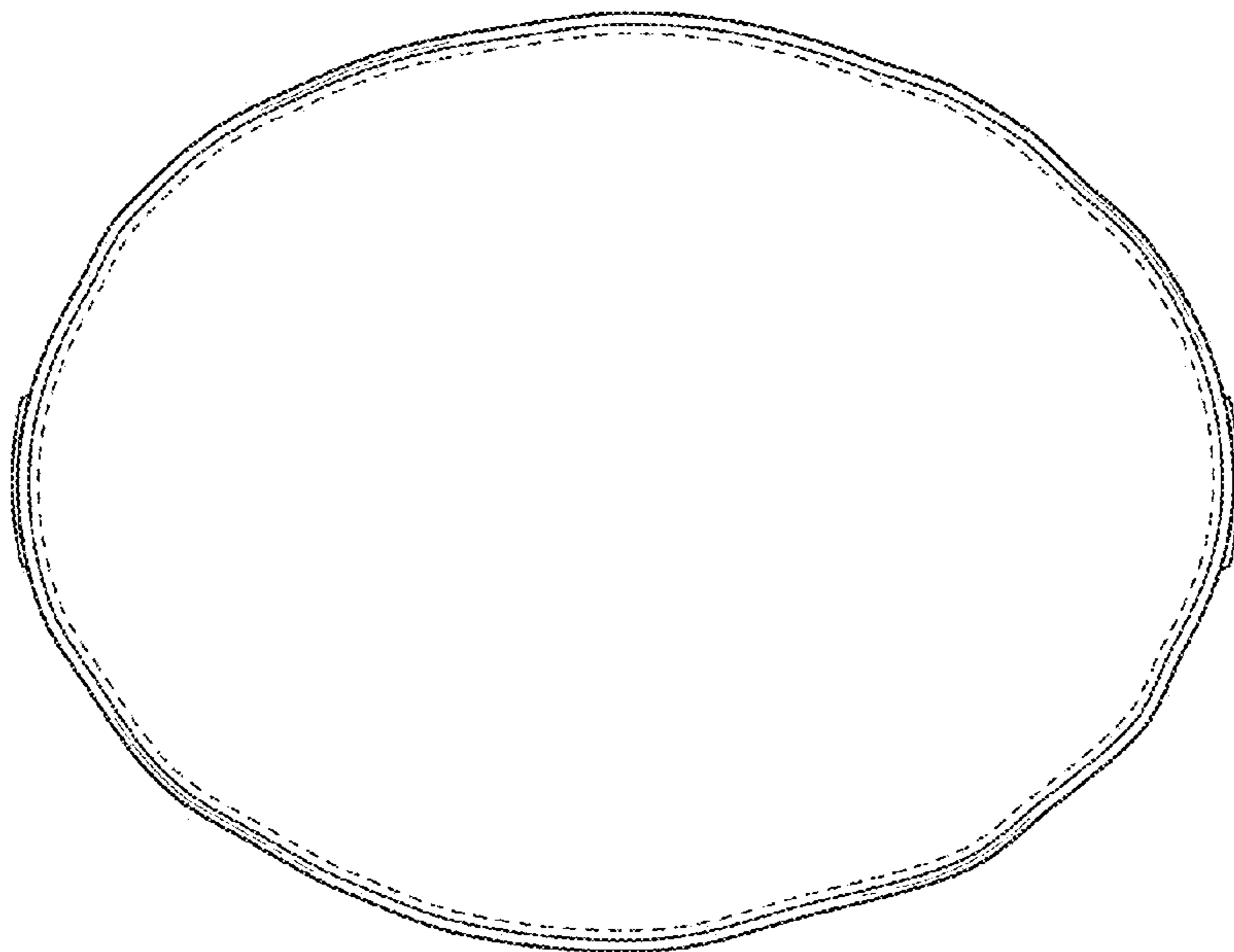


FIG. 7

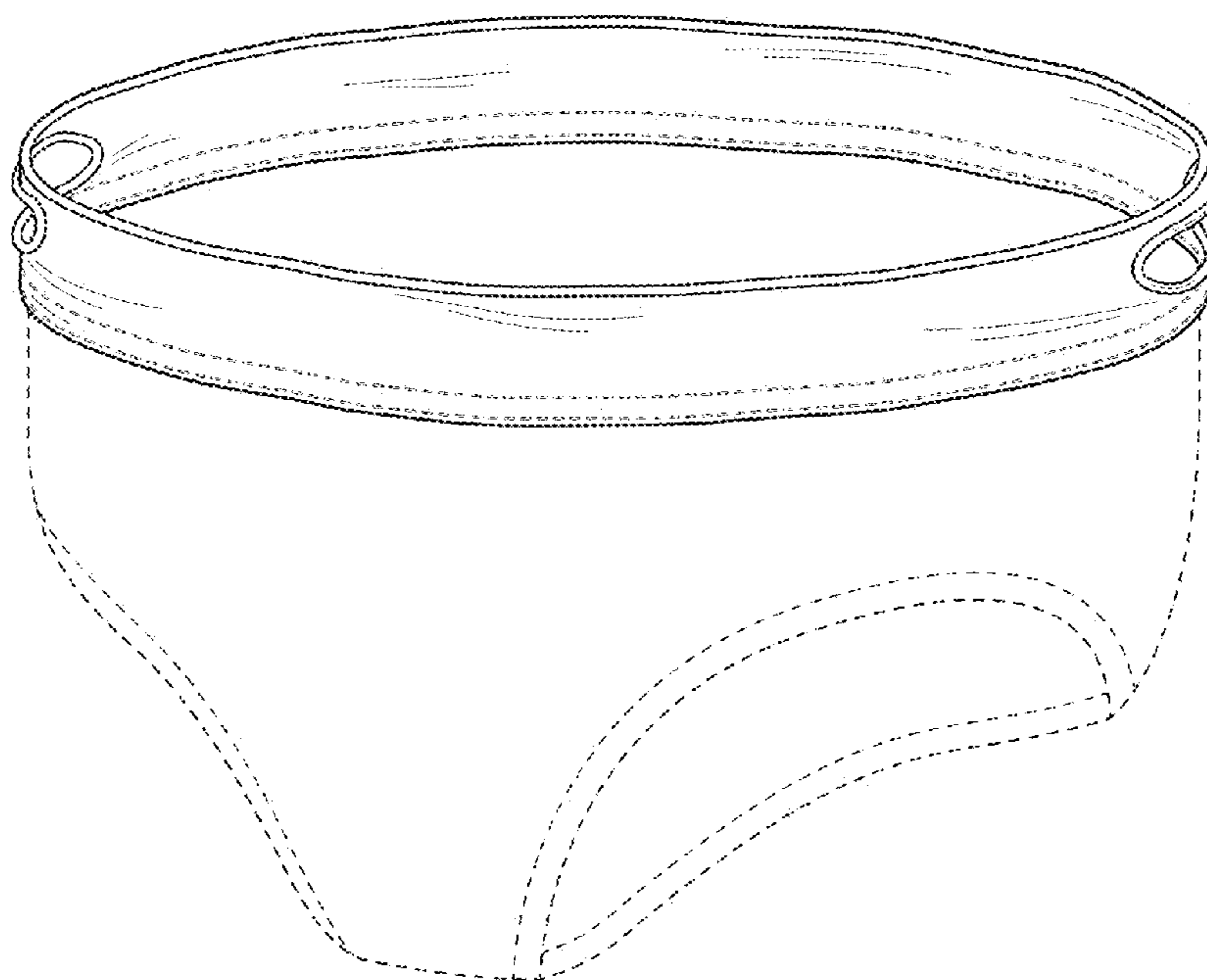


FIG. 8

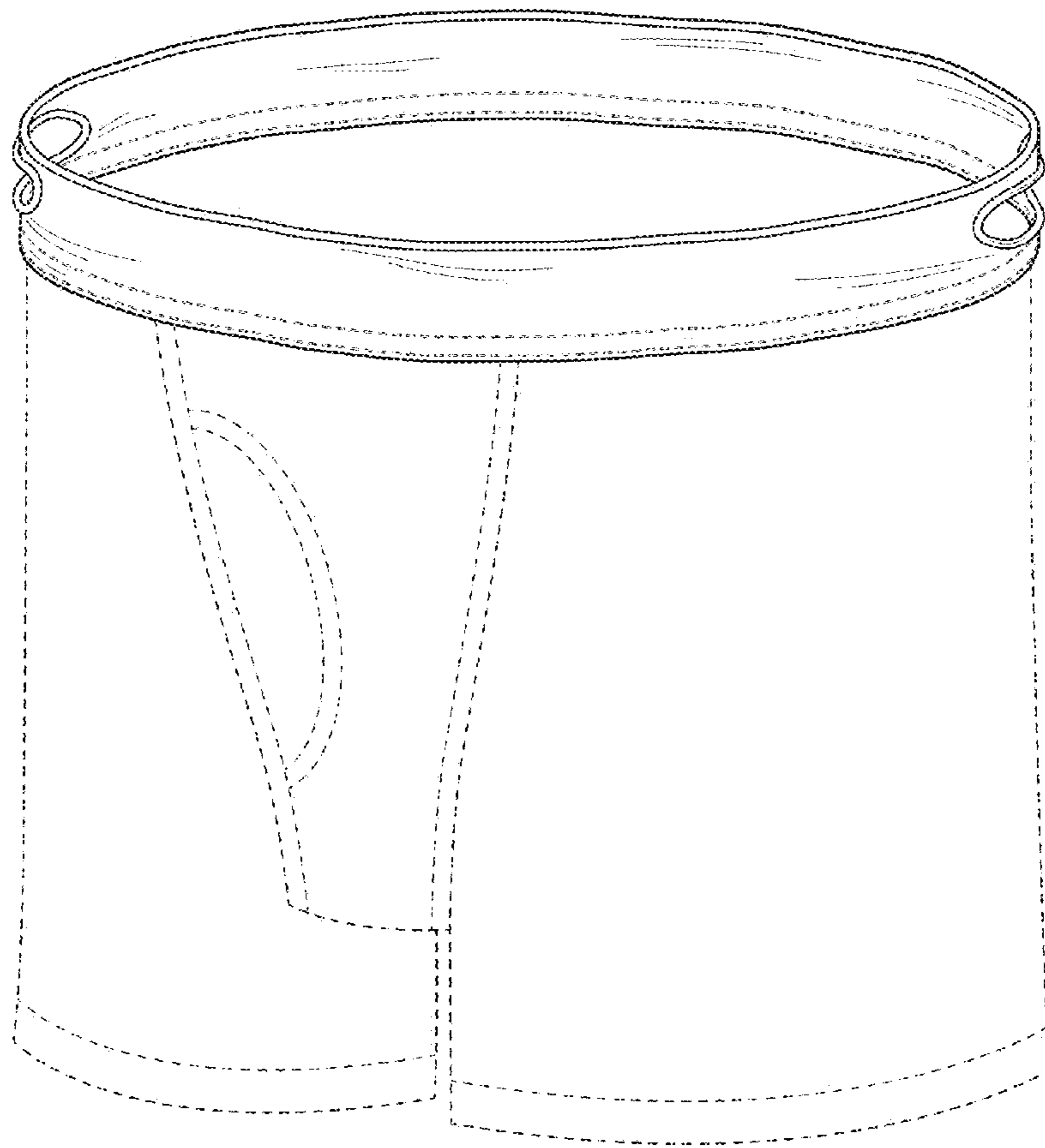


FIG. 9