



US00D706015S

(12) **United States Design Patent**  
**Freeman**

(10) **Patent No.:** **US D706,015 S**

(45) **Date of Patent:** **\*\* \*May 27, 2014**

- (54) **URN**
- (71) Applicant: **Jack E. Freeman**, Topeka, KS (US)
- (72) Inventor: **Jack E. Freeman**, Topeka, KS (US)
- (\*) Notice: This patent is subject to a terminal disclaimer.
- (\*\*) Term: **14 Years**
- (21) Appl. No.: **29/443,297**
- (22) Filed: **Jan. 15, 2013**

5,349,727	A *	9/1994	Niebergall	27/1
D359,151	S *	6/1995	Stewart	D99/17
5,603,558	A *	2/1997	Zimmer	312/290
D381,182	S *	7/1997	Whited	D99/17
D384,822	S *	10/1997	Sugar et al.	D6/300
D384,823	S *	10/1997	Sugar et al.	D6/300
5,729,921	A *	3/1998	Rojas	40/124.5
D395,122	S *	6/1998	Dunlop	D99/5
D398,716	S *	9/1998	Schoen	D27/189
6,735,831	B1 *	5/2004	Greive et al.	27/1
D492,079	S *	6/2004	Feltman	D99/5
7,302,772	B2 *	12/2007	Harrington	40/725
D602,264	S *	10/2009	Sheridoni	D6/310
D668,833	S *	10/2012	De Togni	D99/5

\* cited by examiner

**Related U.S. Application Data**

- (66) Substitute for application No. 29/410,400, filed on Jan. 6, 2012, now abandoned.
- (51) **LOC (10) Cl.** ..... **99-00**
- (52) **U.S. Cl.**  
CPC ..... **A61G 17/08** (2013.01)  
USPC ..... **D99/5**
- (58) **Field of Classification Search**  
CPC ..... **A61G 17/08**  
USPC ..... **D99/5, 17; D6/300, 302, 310; D11/130, D11/131; D19/34.2, 79, 83; 312/201; 40/124.5; 27/1**  
See application file for complete search history.

*Primary Examiner* — Paula Greene

(74) *Attorney, Agent, or Firm* — QuickPatents; Kevin Prince

(57) **CLAIM**

I claim the ornamental design for an urn, as shown and described.

**DESCRIPTION**

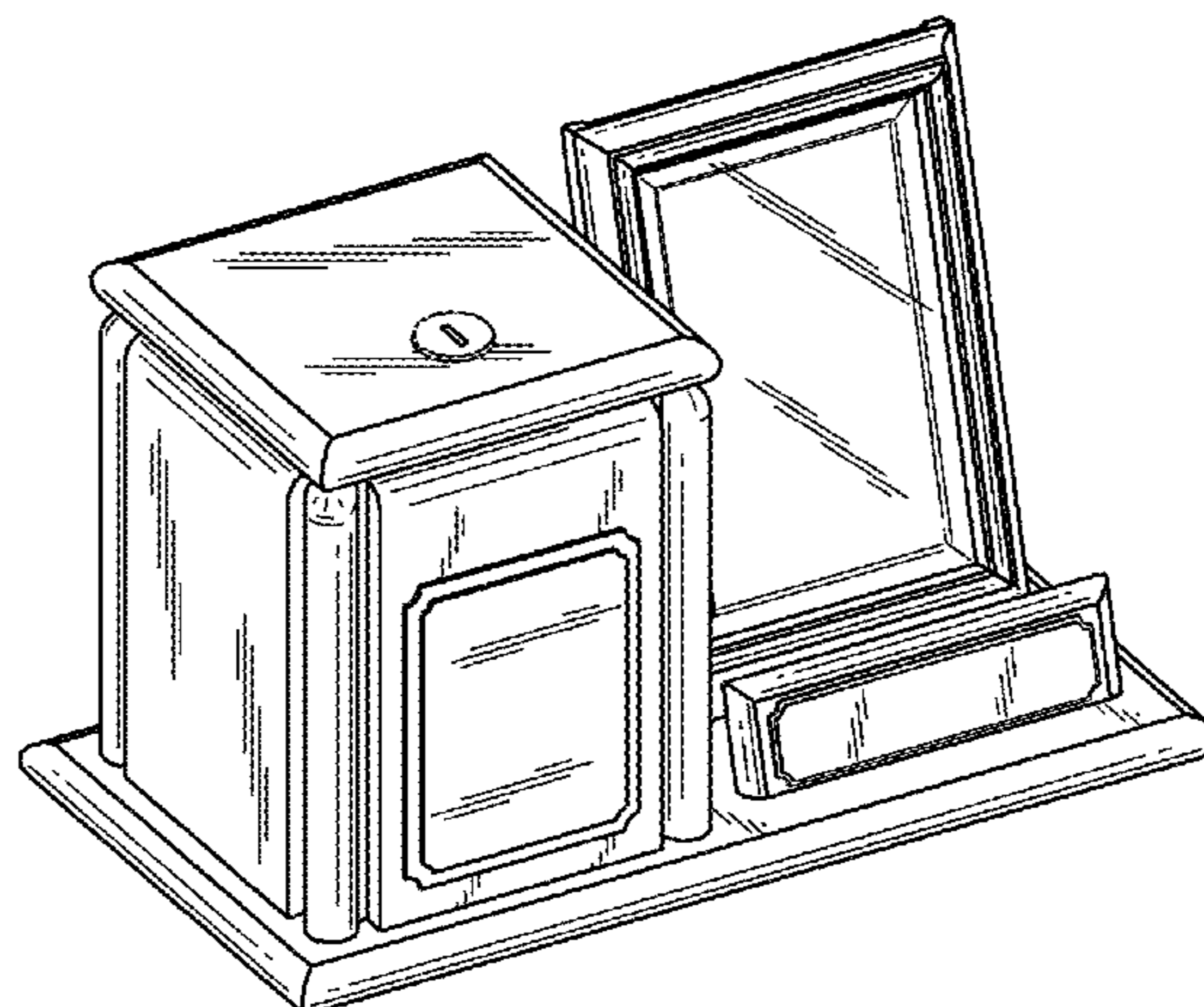
FIG. 1 is a perspective view of an urn, showing my new design with a lid in a closed position;  
 FIG. 2 is a perspective view thereof, illustrated with the lid in an open position;  
 FIG. 3 is a front elevational view of FIG. 1;  
 FIG. 4 is a top plan view of FIG. 1;  
 FIG. 5 is a bottom plan view of FIG. 1;  
 FIG. 6 is a rear elevational view of FIG. 1;  
 FIG. 7 is a left-side elevational view of FIG. 1; and,  
 FIG. 8 is a right-side elevational view of FIG. 1.  
 The broken lines showing a knob in the figures, as well as a portion on the bottom of the design in FIG. 5, as well as clips in FIG. 6, depict environmental matter and form no part of the claimed design.

(56) **References Cited**

**U.S. PATENT DOCUMENTS**

D65,864	S *	10/1924	McKay	D6/306
1,667,564	A *	4/1928	Pearson	312/201
D86,256	S *	2/1932	McArdie	D27/127
2,009,724	A *	7/1935	Bircher	27/1
D102,882	S *	1/1937	Gregory	D19/79
2,173,917	A *	9/1939	Ryan	211/73
D140,181	S *	1/1945	McGonigal	D19/34.2
3,589,049	A *	6/1971	Cornelius	40/722

**1 Claim, 3 Drawing Sheets**



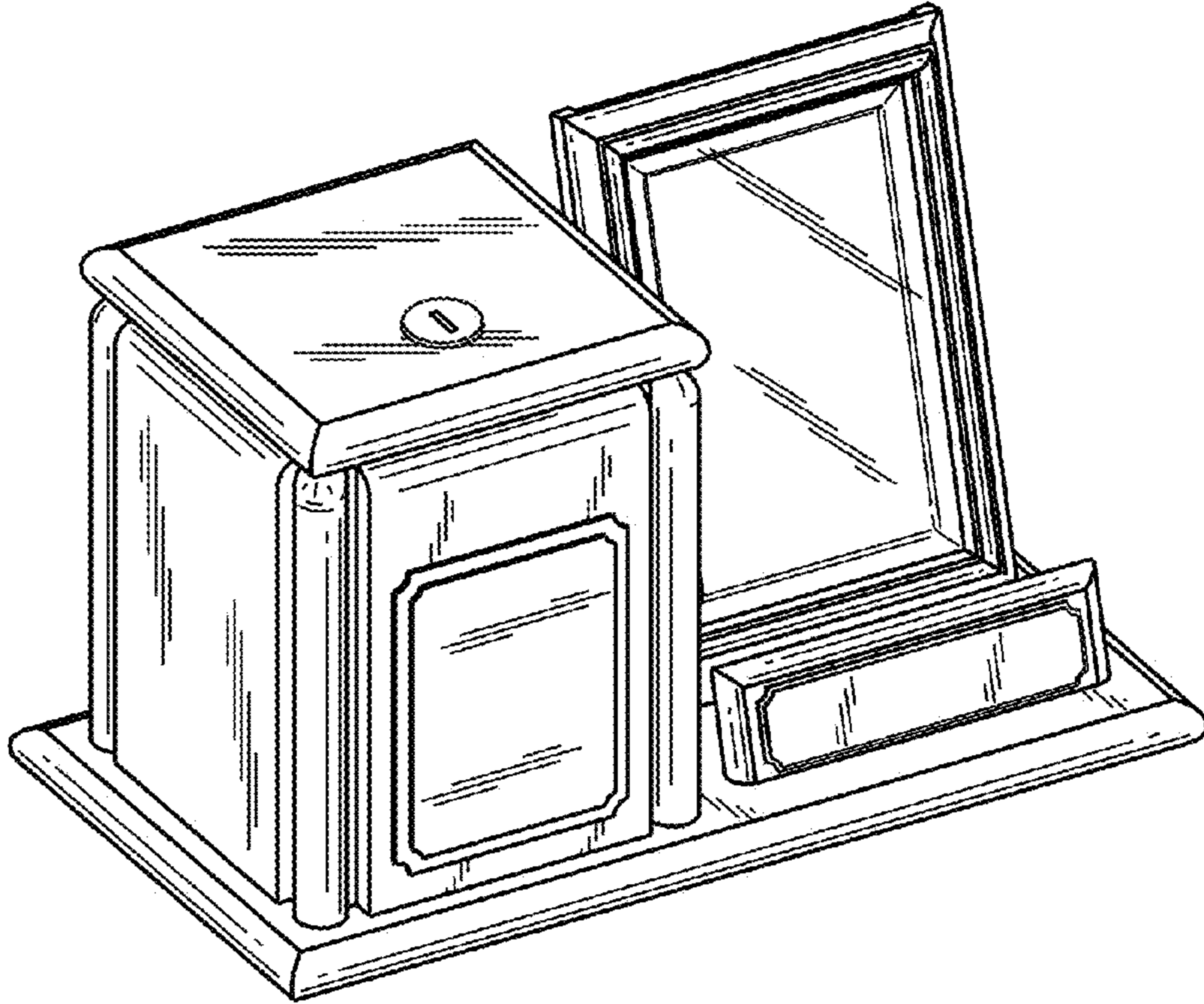


FIG. 1

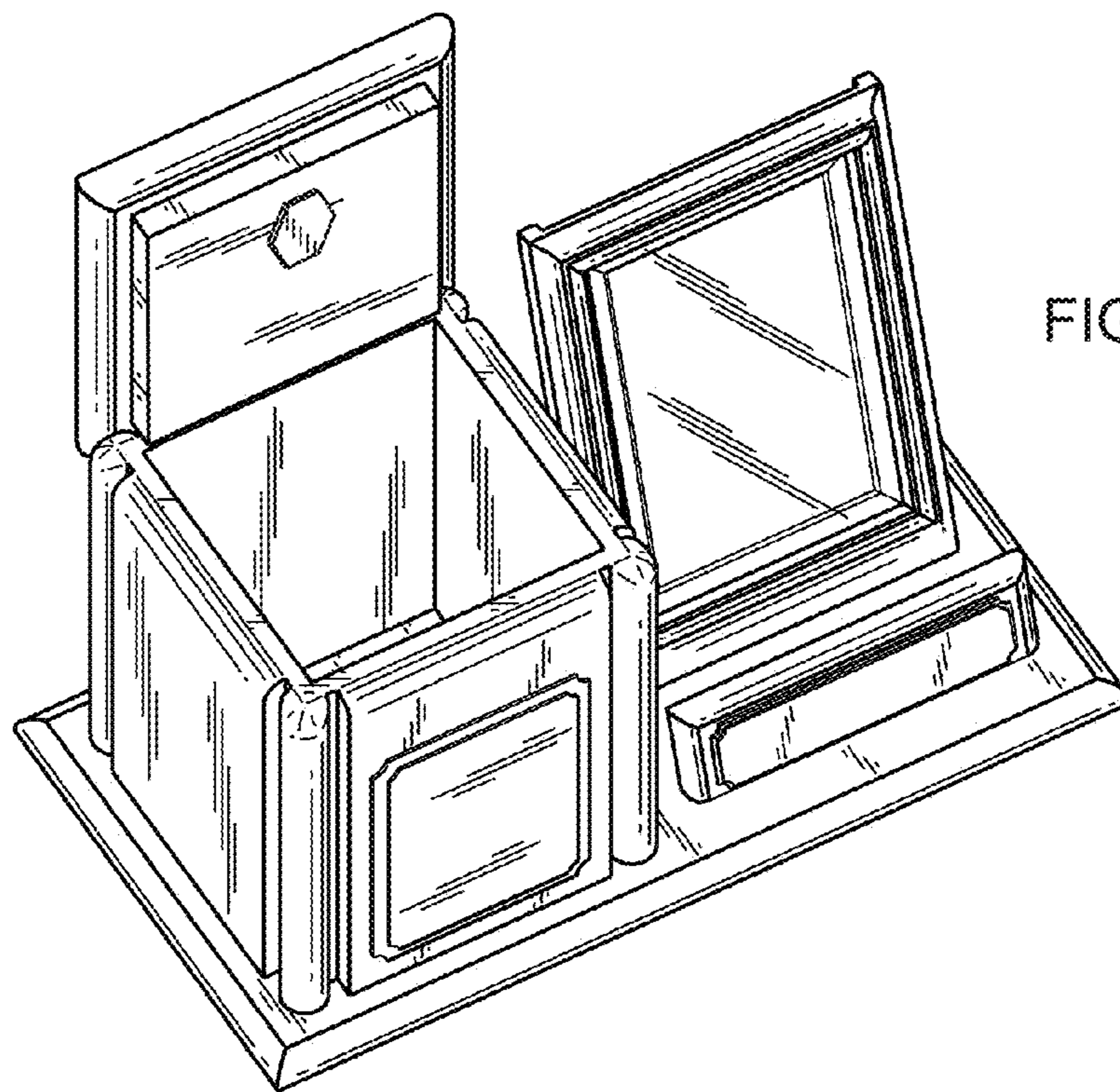


FIG. 2

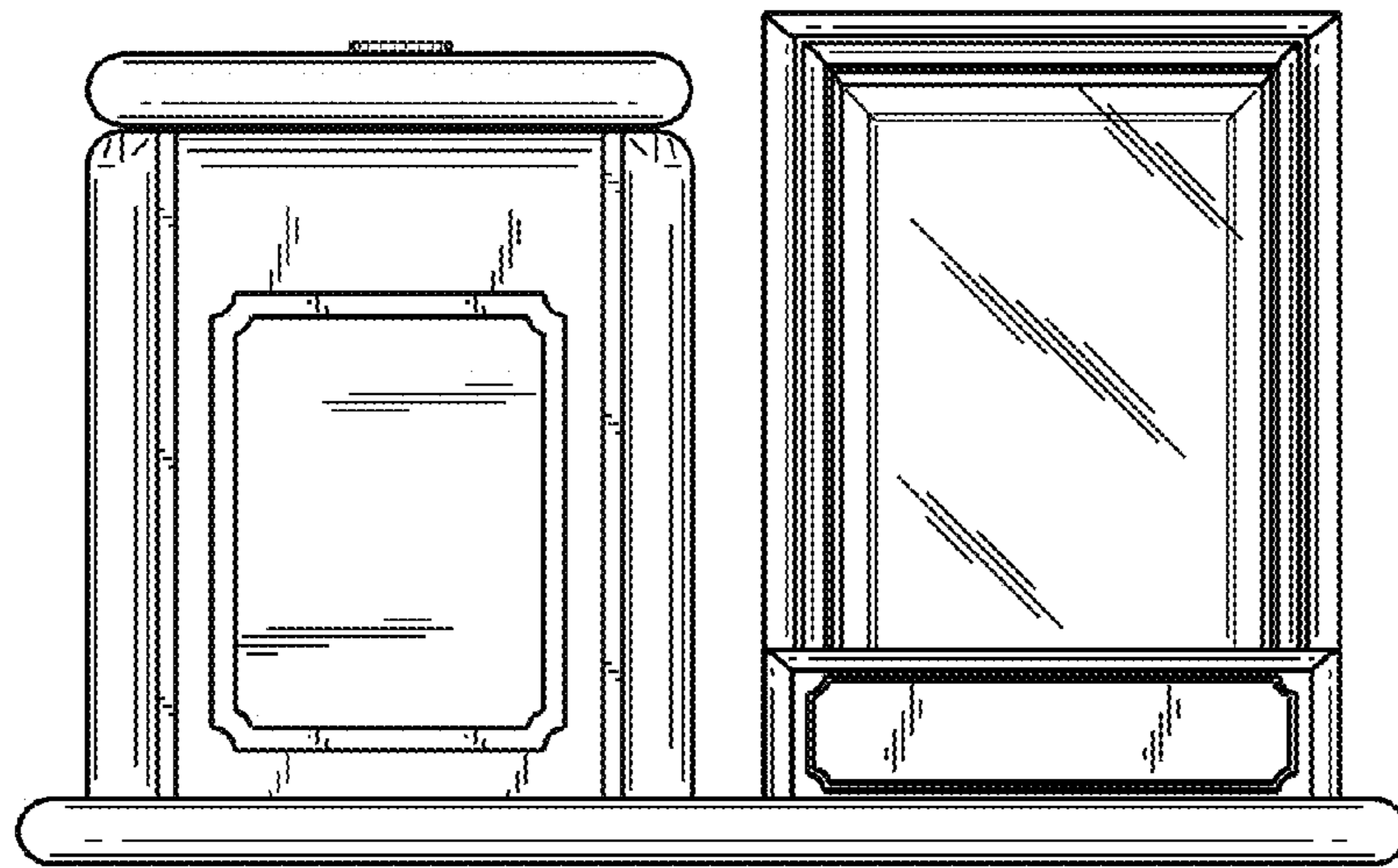


FIG. 3

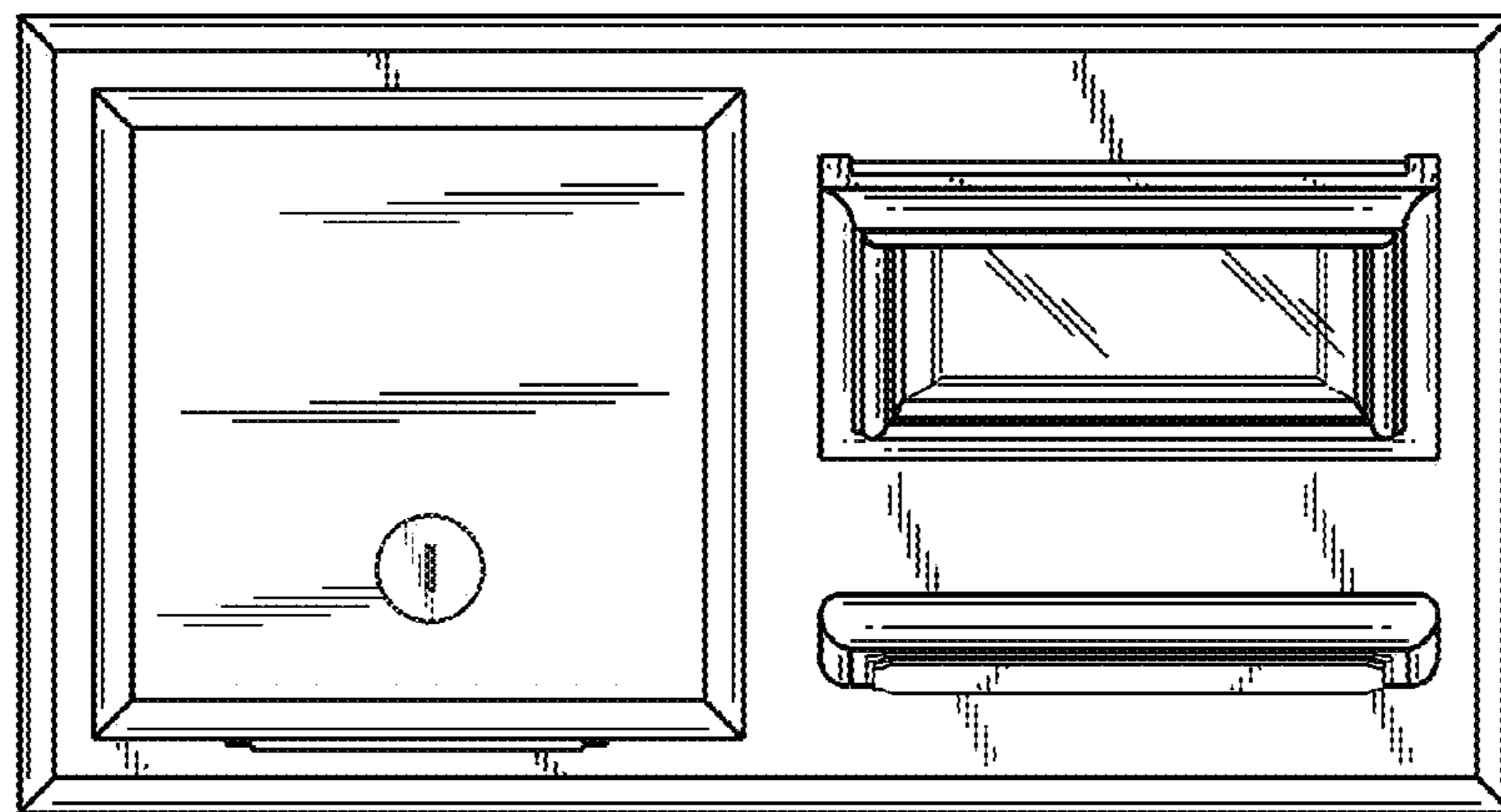


FIG. 4

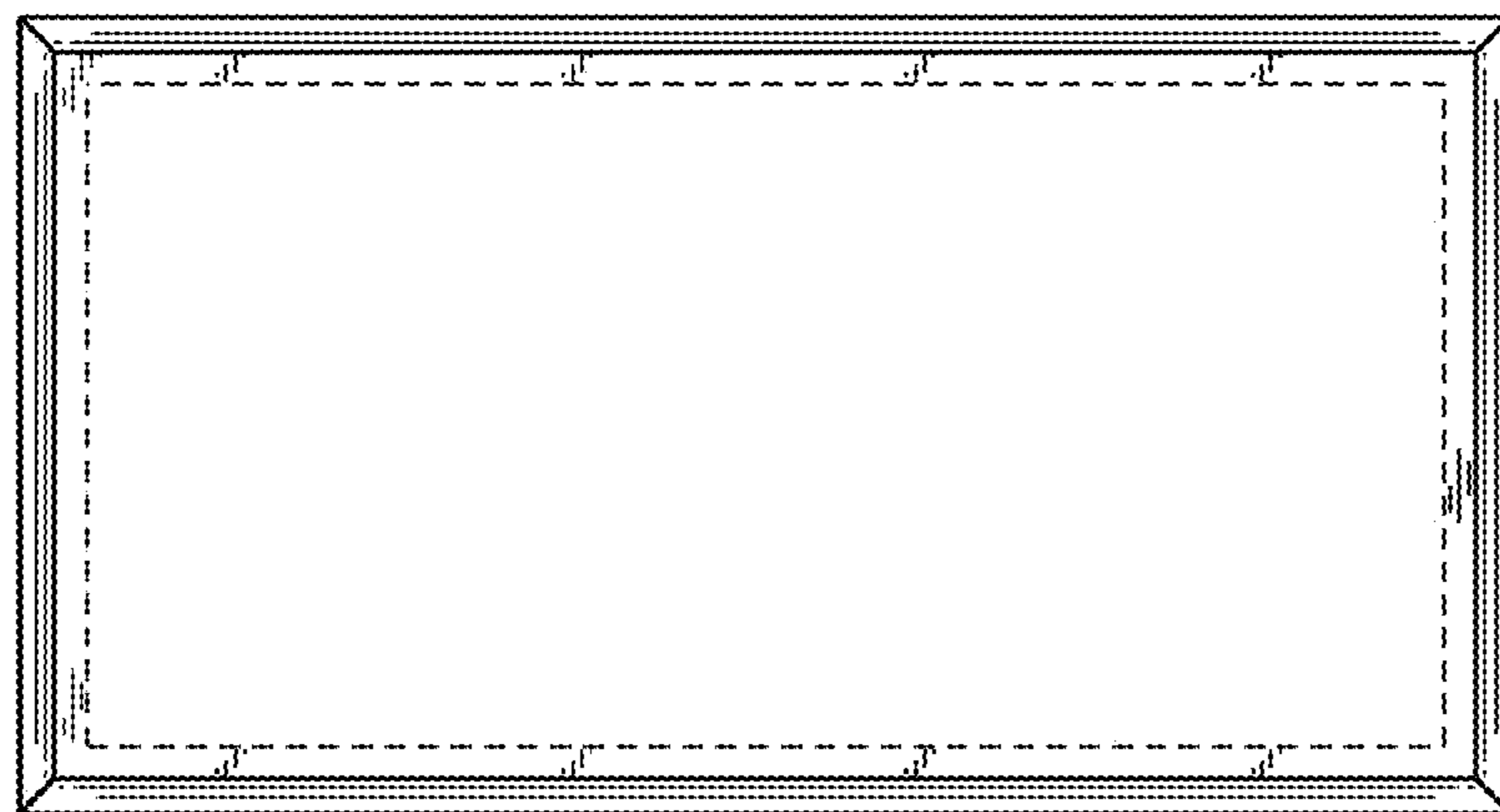


FIG. 5

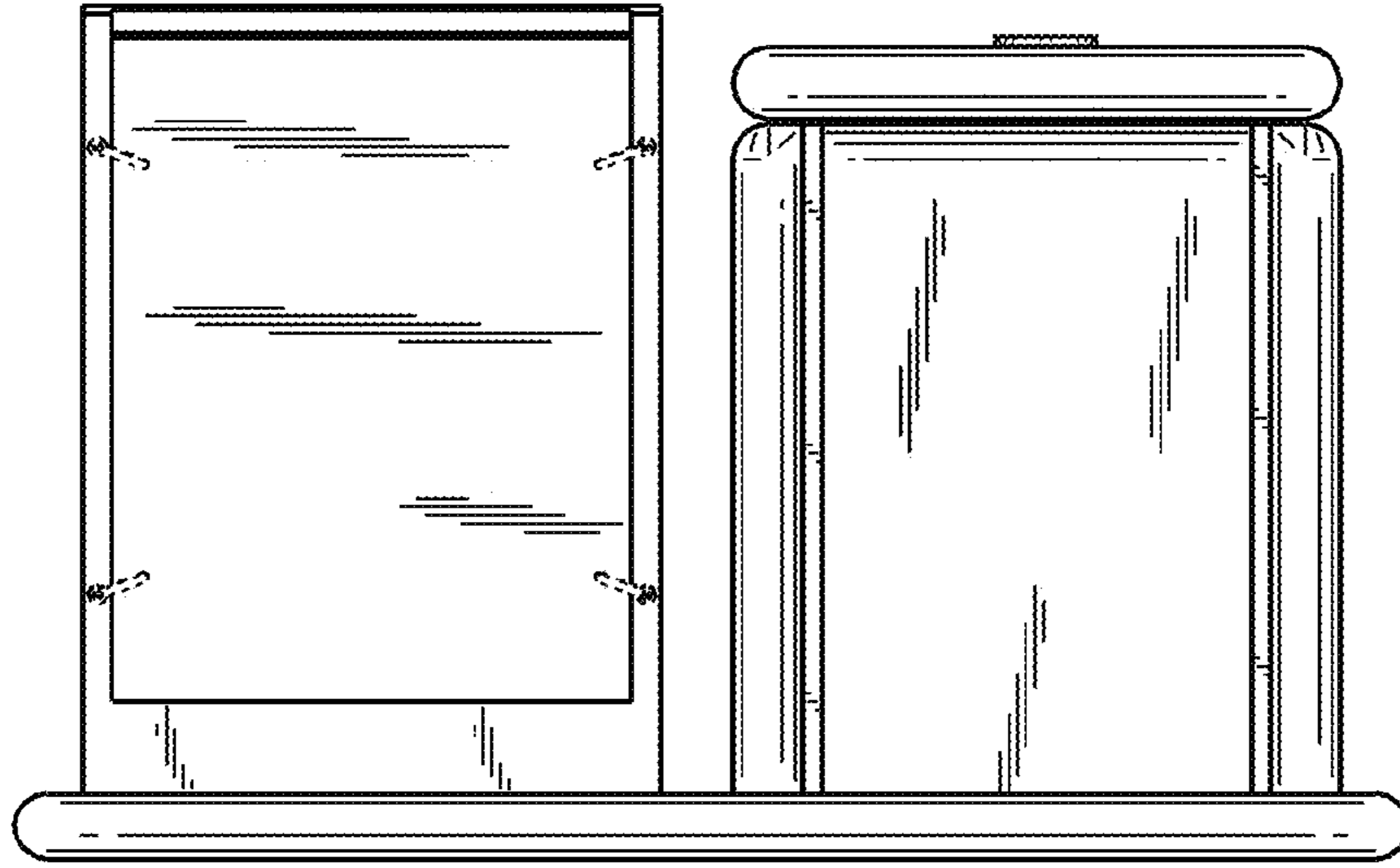


FIG. 6

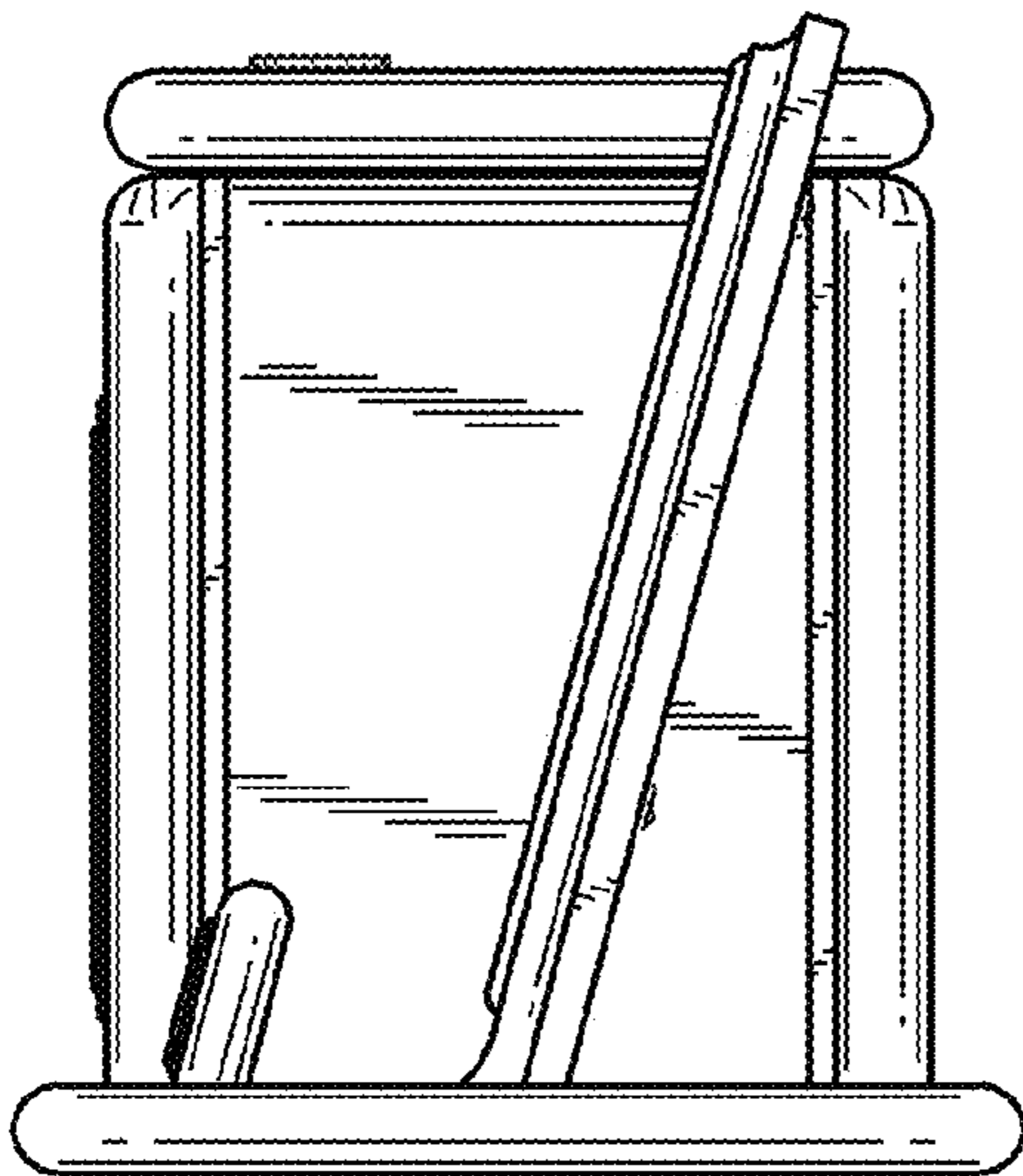


FIG. 7

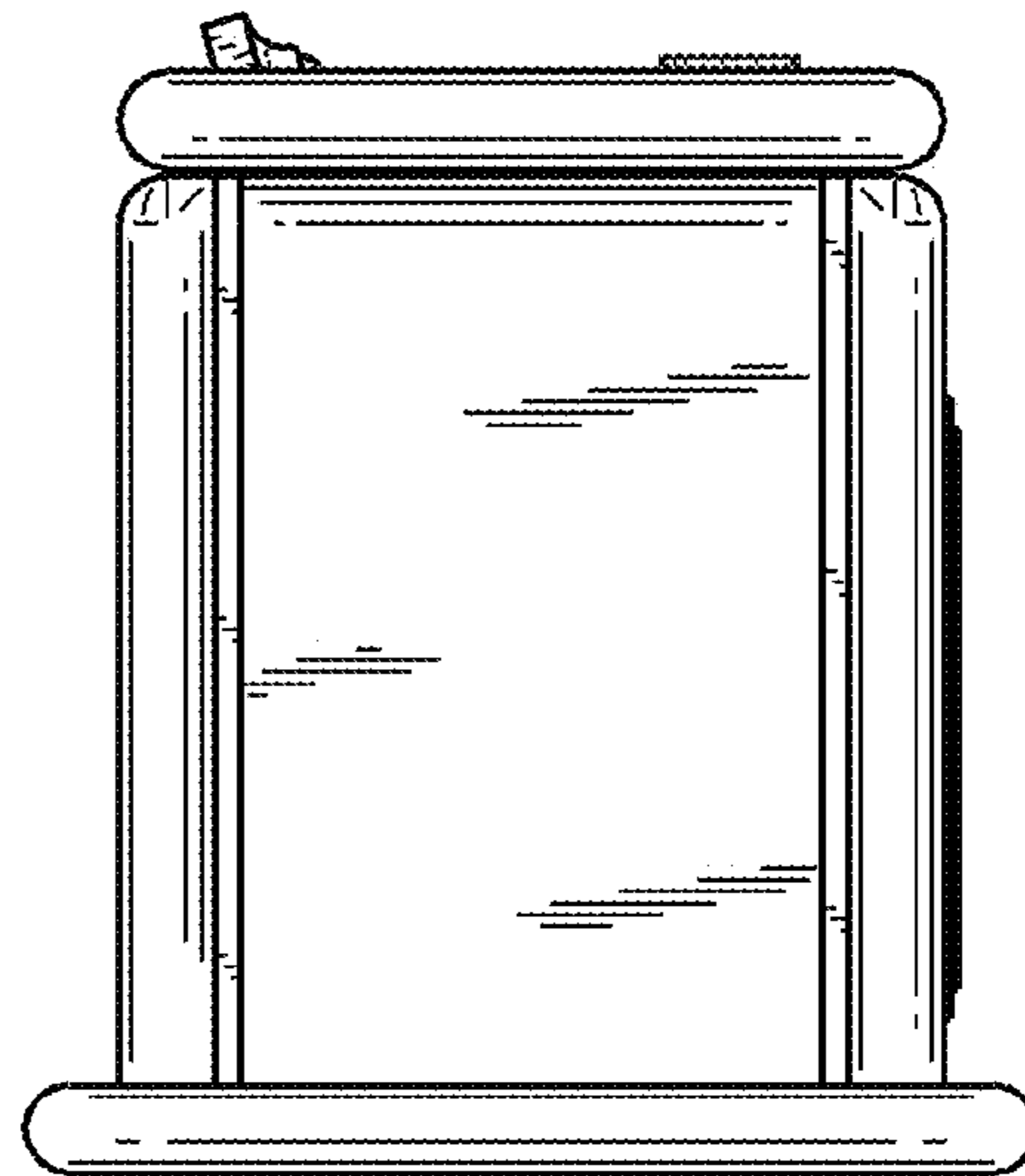


FIG. 8