



US00D706014S

(12) **United States Design Patent**  
**Ksiezakowski**

(10) **Patent No.:** **US D706,014 S**

(45) **Date of Patent:** **\*\* May 27, 2014**

(54) **TRANSPORT PALLET**

(71) Applicant: **Bogumil Ksiezakowski**, Biala (PL)

(72) Inventor: **Bogumil Ksiezakowski**, Biala (PL)

(\*\*) Term: **14 Years**

(21) Appl. No.: **29/452,756**

(22) Filed: **Apr. 22, 2013**

(51) **LOC (10) Cl.** ..... **09-08**

(52) **U.S. Cl.**  
USPC ..... **D34/38**

(58) **Field of Classification Search**  
CPC ..... D65D 2516/00323; D65D 2519/00293;  
D65D 2519/00333; D65D 2519/00273; D65D  
2519/00572; D65D 2519/00761; D65D  
2519/00059; D65D 2519/00024  
USPC ..... D34/38; 108/51.11, 53.5, 54.1, 57.1,  
108/52.1, 53.1, 53.3, 55.5  
See application file for complete search history.

(56) **References Cited**

**U.S. PATENT DOCUMENTS**

2,377,911 A	6/1945	Warren	108/54.1
2,827,302 A	9/1956	Skyrud	280/33.998
2,828,040 A	3/1958	Fitton et al.	414/662
D212,107 S *	8/1968	Stephenson	D11/156
3,602,157 A *	8/1971	Cohen et al.	108/57.18
3,848,747 A *	11/1974	Thompson	211/194
D240,212 S *	6/1976	Zims	D34/38
4,062,301 A	12/1977	Pitchford	108/56.1
4,290,370 A *	9/1981	Gallagher et al.	108/53.5
5,478,189 A	12/1995	Agtuca	414/529

5,497,708 A	3/1996	Jeruzal	108/54.1
6,938,557 B1 *	9/2005	Grigsby, Jr.	108/51.11
D557,874 S	12/2007	Dong	D34/38
D583,524 S	12/2008	Fling	D34/38
D596,825 S	7/2009	Wang	D34/38
7,762,198 B2 *	7/2010	Rasmusson et al.	108/54.1
2001/0050034 A1 *	12/2001	Gross	108/51.11
2002/0056406 A1 *	5/2002	Dumouchel	108/57.25
2008/0250986 A1	10/2008	Boon	108/53.1
2011/0192327 A1 *	8/2011	Nordstrom	108/57.32

**OTHER PUBLICATIONS**

Office Action mailed Jan. 11, 2013 in corresponding U.S. Appl. No. 29/424,756.

\* cited by examiner

*Primary Examiner* — Cynthia Ramirez

(74) *Attorney, Agent, or Firm* — Renner Kenner Greive Bobak Taylor & Weber

(57) **CLAIM**

The ornamental design for a transport pallet, as shown and described.

**DESCRIPTION**

FIG. 1 is a top perspective view of a transport pallet showing my new design;

FIG. 2 is a bottom perspective view thereof;

FIG. 3 is a top view thereof;

FIG. 4 is a bottom view thereof;

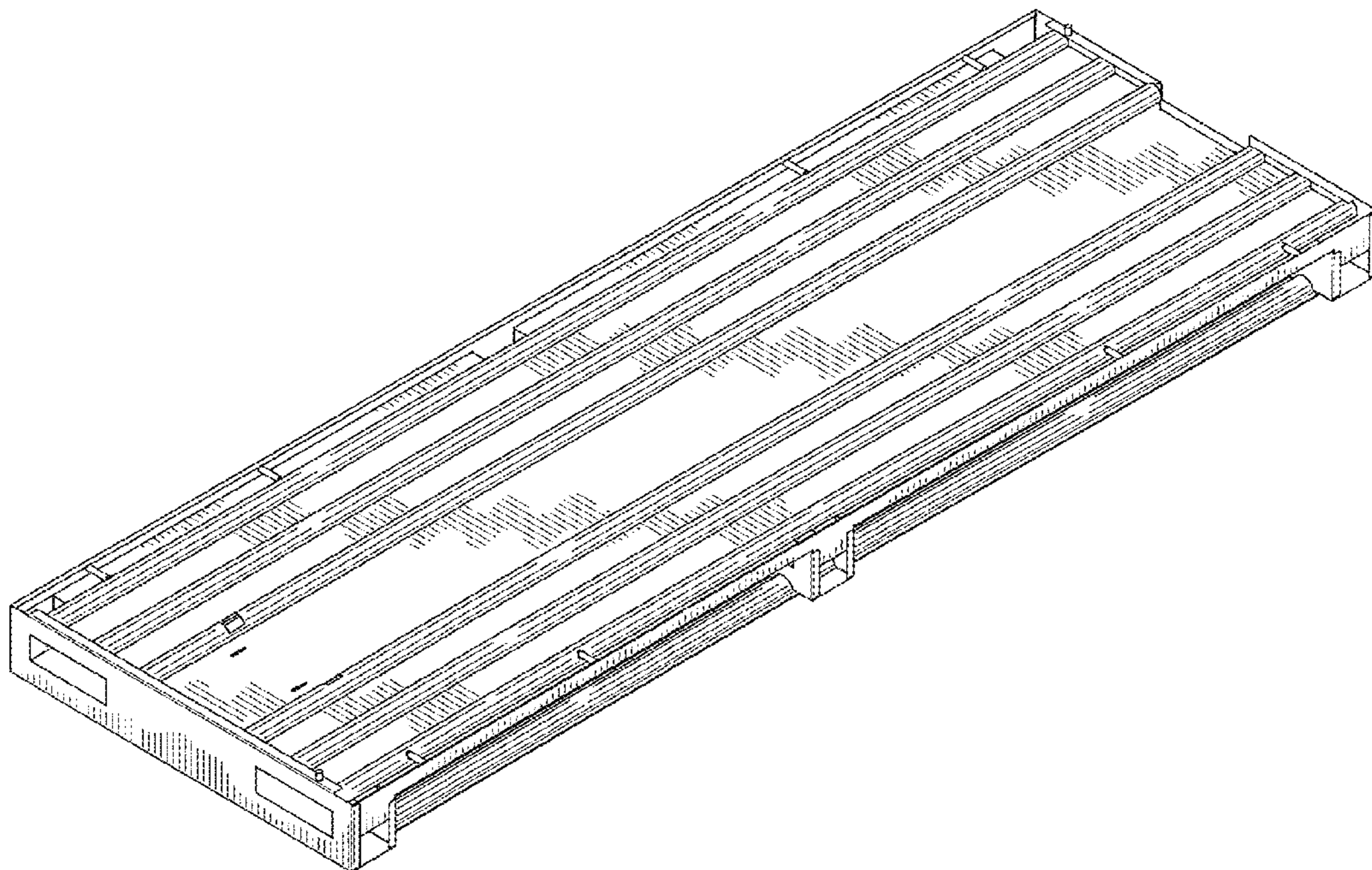
FIG. 5 is a front elevational view thereof;

FIG. 6 is a rear elevational view thereof;

FIG. 7 is an end elevational view thereof; and,

FIG. 8 is an opposite end elevational view thereof.

**1 Claim, 5 Drawing Sheets**



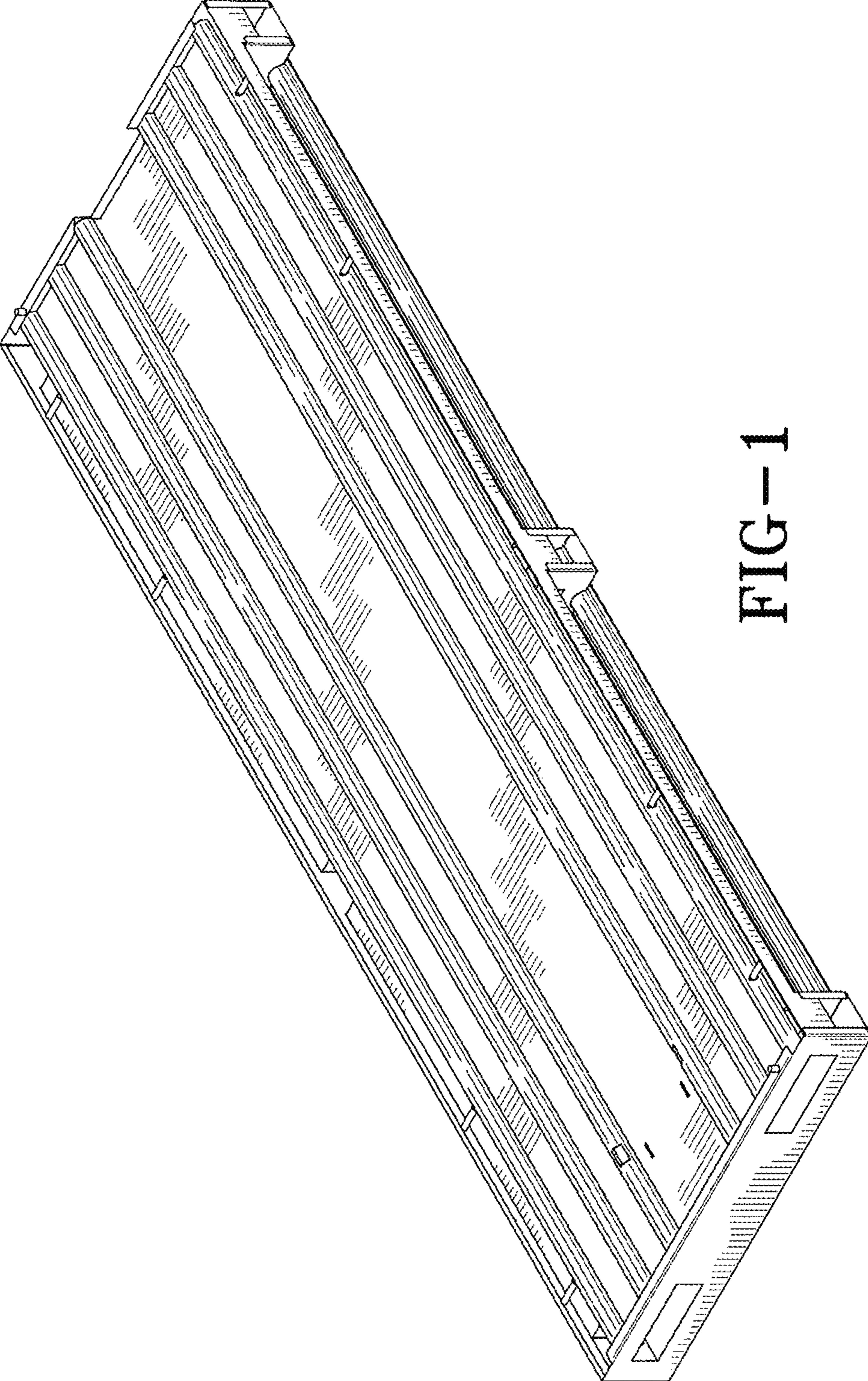


FIG-1

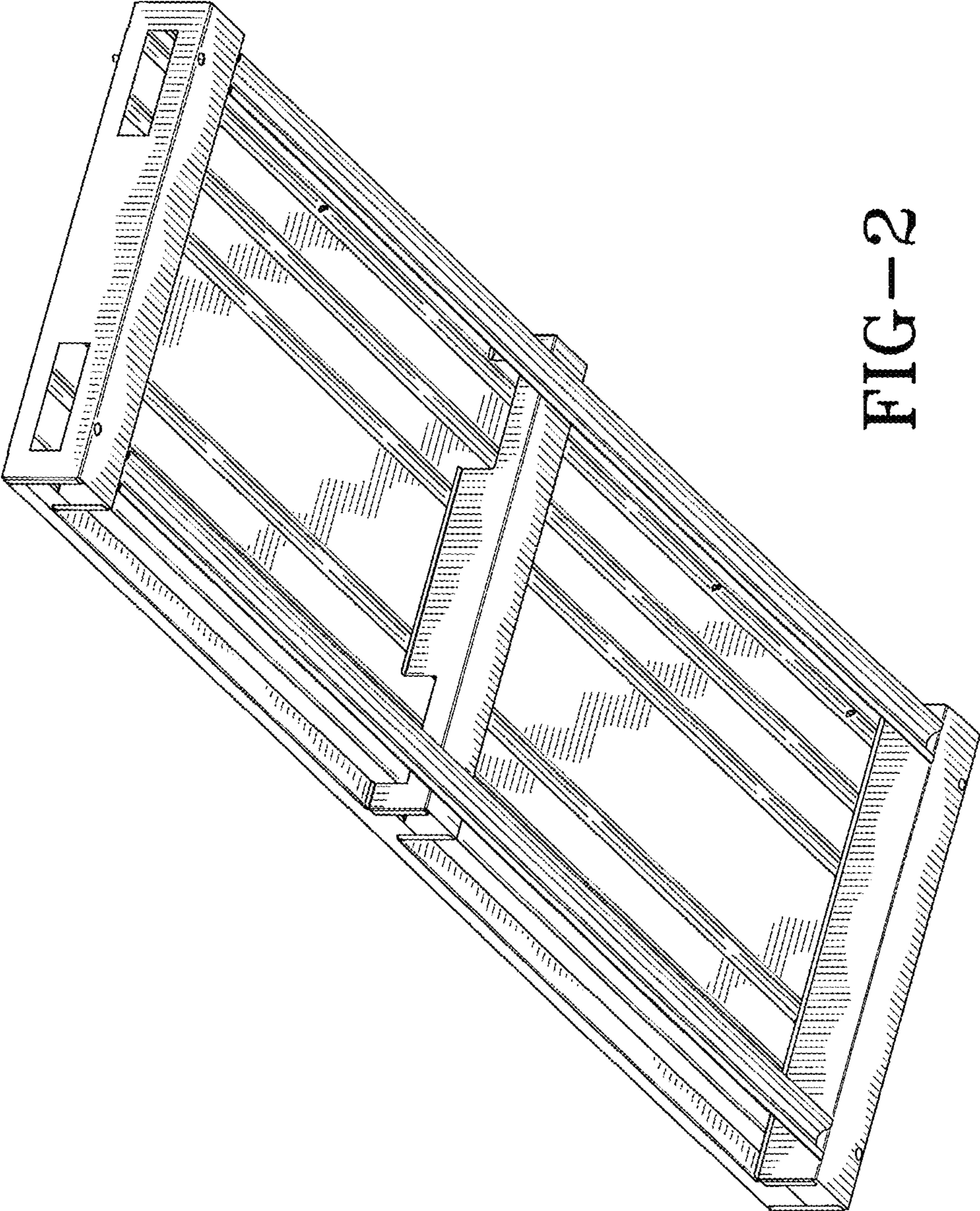


FIG-2

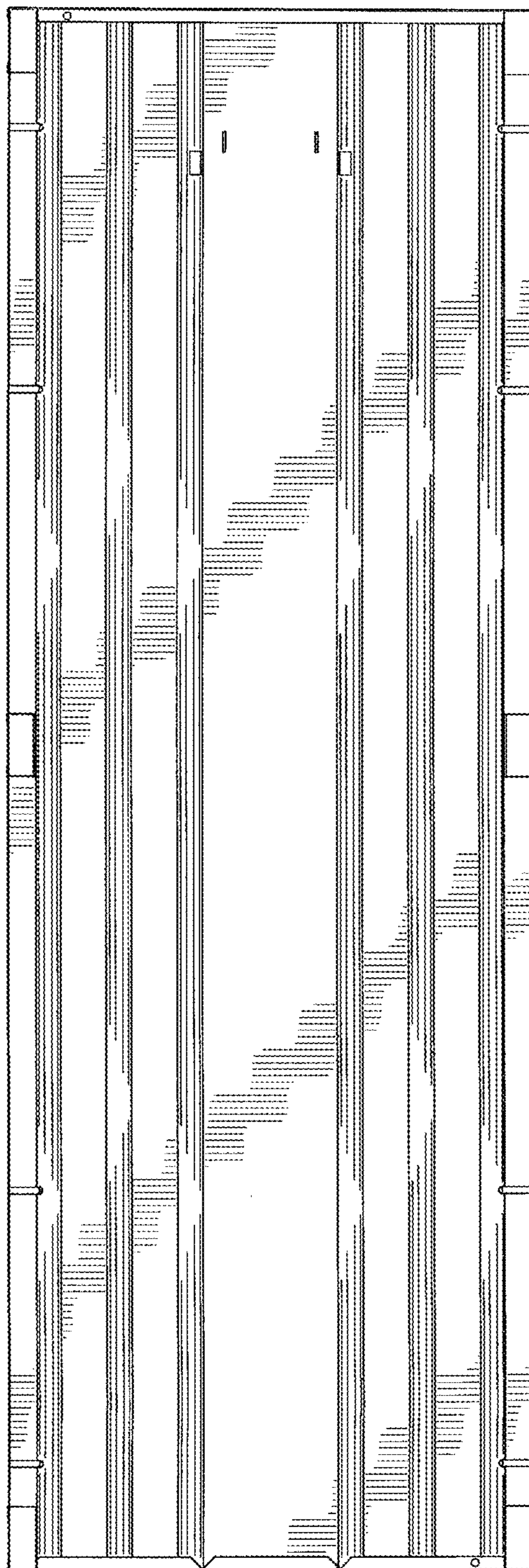


FIG-3

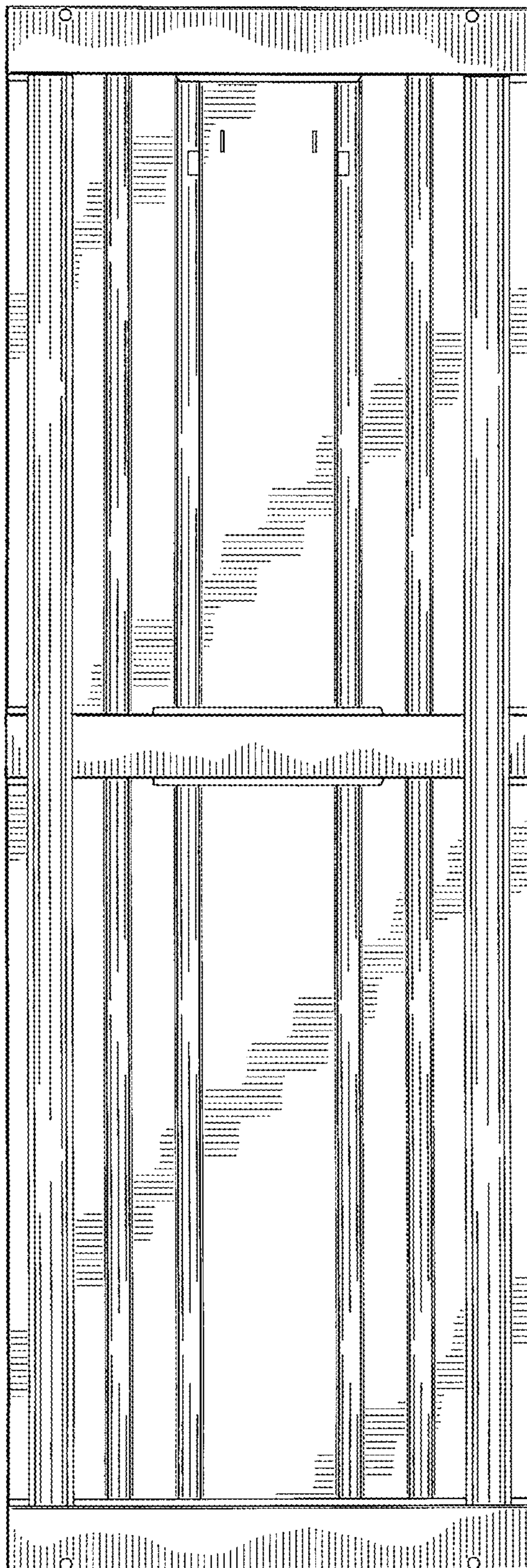


FIG-4

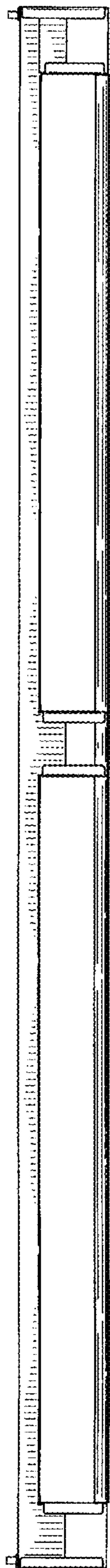


FIG-5

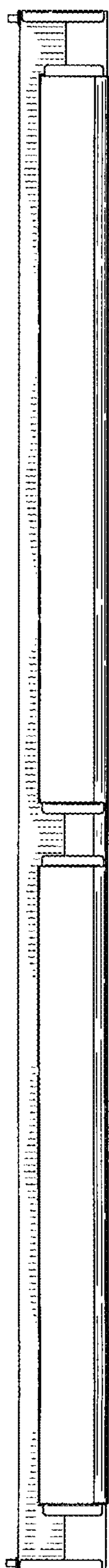


FIG-6



FIG-8



FIG-7