



US00D706013S

(12) **United States Design Patent**
Kupferschläger

(10) **Patent No.:** **US D706,013 S**

(45) **Date of Patent:** **** *May 27, 2014**

(54) **TRANSPORT DEVICE**

(76) Inventor: **Dietmar Kupferschläger**, Frohnhofen (DE)

(*) Notice: This patent is subject to a terminal disclaimer.

(**) Term: **14 Years**

(21) Appl. No.: **29/418,724**

(22) Filed: **Apr. 19, 2012**

(51) **LOC (10) Cl.** **09-08**

(52) **U.S. Cl.**
USPC **D34/38**

(58) **Field of Classification Search**
USPC D34/38; 108/51.11, 52.1, 55.1, 55.3,
108/55.5, 901, 56.1

See application file for complete search history.

(56) **References Cited**

U.S. PATENT DOCUMENTS

3,946,876 A * 3/1976 Jay 211/60.1
D240,212 S * 6/1976 Zinna D34/38

3,998,169 A * 12/1976 Koch 108/53.5
5,242,255 A * 9/1993 Gleffe et al. 414/403
6,279,763 B1 * 8/2001 Bush 211/195
6,691,885 B2 * 2/2004 Brown 220/7
6,842,665 B2 * 1/2005 Karlen 700/217
D603,123 S * 10/2009 Canters et al. D34/38
D609,425 S * 2/2010 Svedberg D34/38
7,802,526 B2 * 9/2010 Brady et al. 108/53.5
2009/0050031 A1 * 2/2009 Cai 108/55.5

* cited by examiner

Primary Examiner — Cynthia Ramirez

(74) *Attorney, Agent, or Firm* — Lowe Graham Jones PLLC

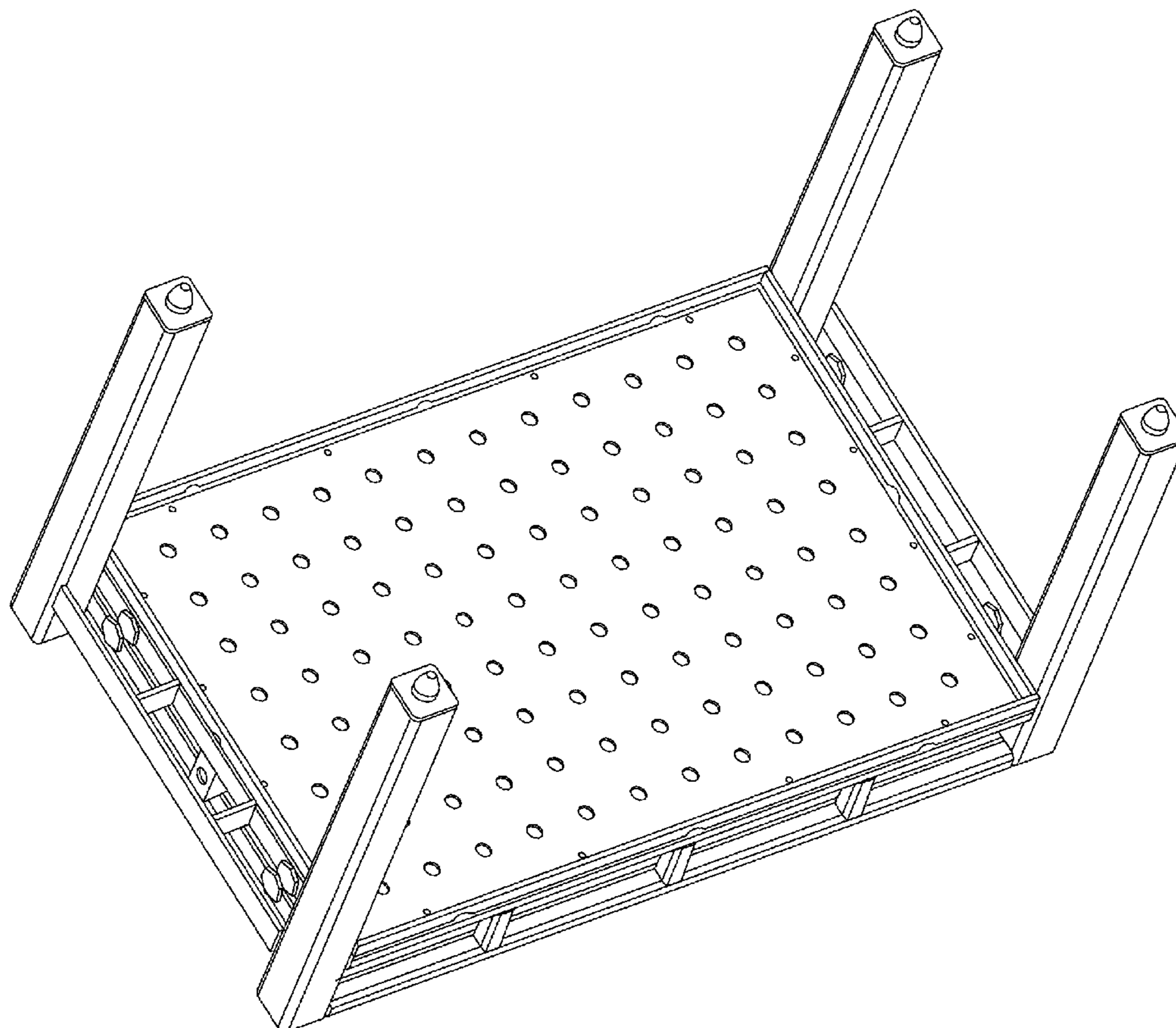
(57) **CLAIM**

I claim the ornamental design for the transport device, as shown.

DESCRIPTION

FIG. 1 is a perspective view of a transport device showing my new design; and, FIG. 2 is a top view of the transport device. The details on other views are unornamented and form no part of the claimed invention.

1 Claim, 2 Drawing Sheets



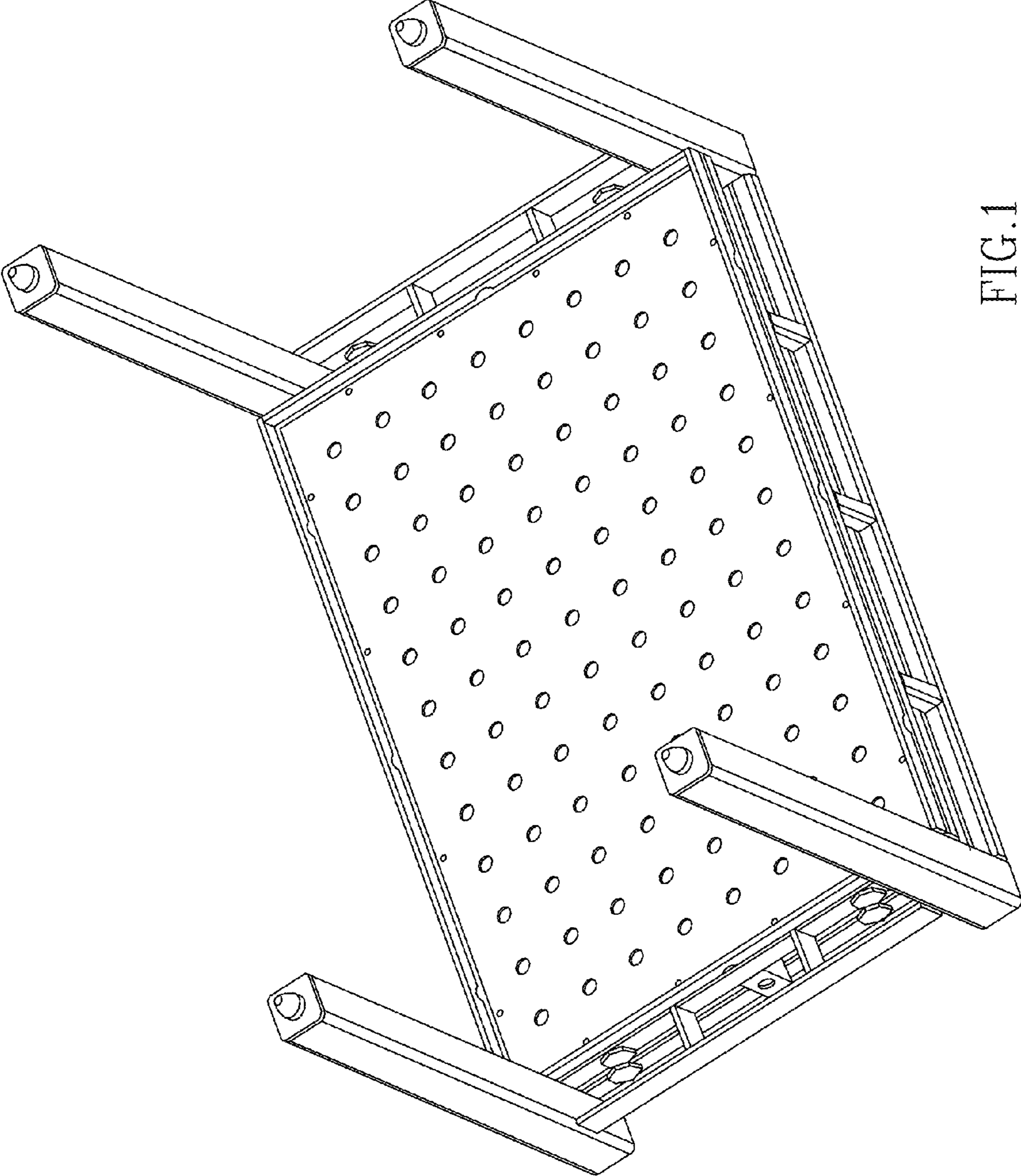


FIG.1

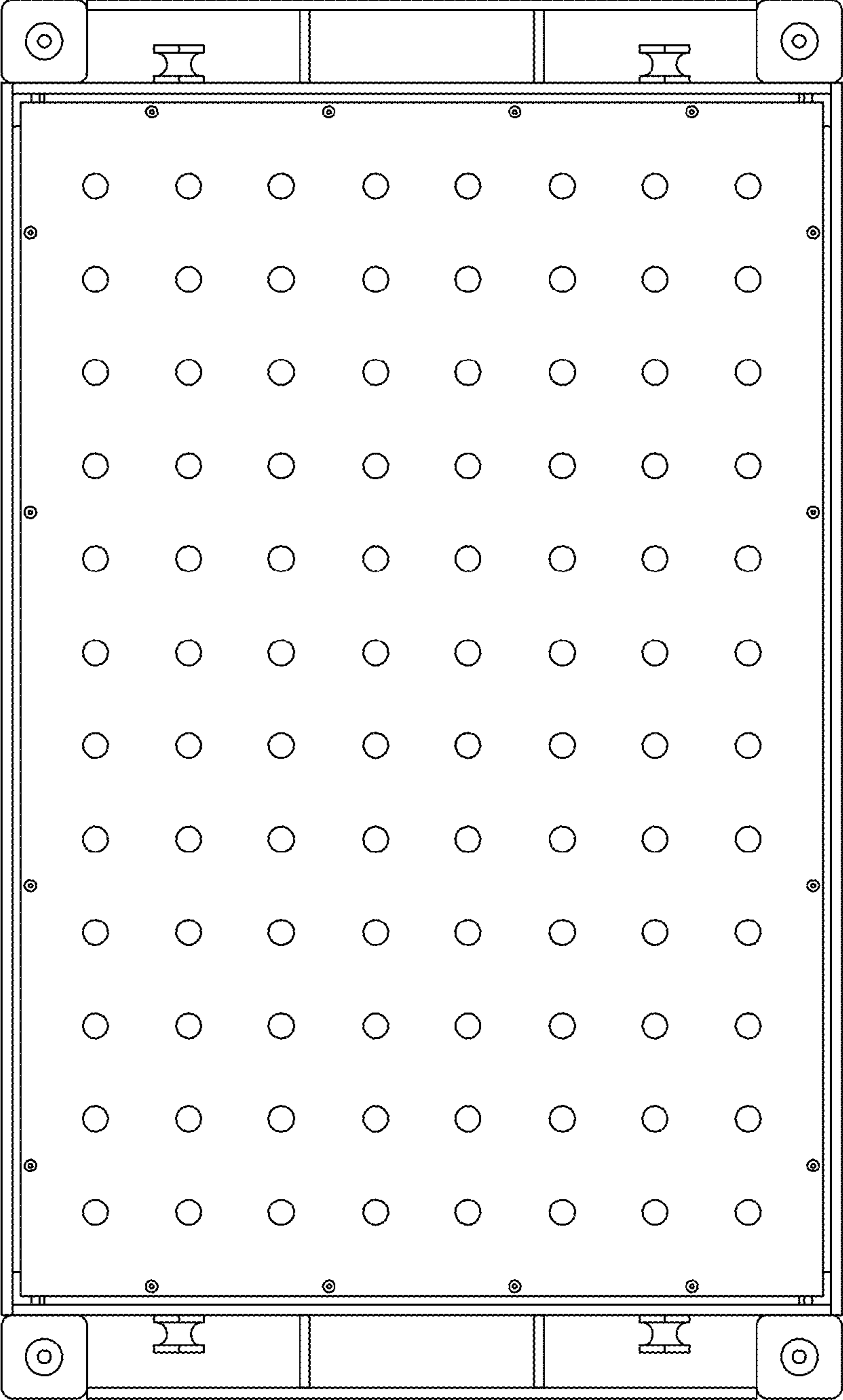


FIG. 2