



US00D706012S

(12) **United States Design Patent**
Degnan

(10) **Patent No.:** **US D706,012 S**

(45) **Date of Patent:** **** May 27, 2014**

(54) **MOBILE GARDEN PLANTER**

(71) Applicant: **Jonathan Degnan**, Dandridge, TN (US)

(72) Inventor: **Jonathan Degnan**, Dandridge, TN (US)

(**) Term: **14 Years**

(21) Appl. No.: **29/444,688**

(22) Filed: **Feb. 1, 2013**

(51) **LOC (10) Cl.** **12-02**

(52) **U.S. Cl.**
USPC **D34/16**

(58) **Field of Classification Search**
USPC D34/12-27; 280/47.31, 47.18, 47.26,
280/47.12, 652, 52, 42
See application file for complete search history.

(56) **References Cited**

U.S. PATENT DOCUMENTS

D370,326 S * 5/1996 Chapman et al. D34/16
D389,972 S * 1/1998 Grosfillex D34/16

6,585,304 B1 * 7/2003 Boozer et al. 294/178
D516,265 S * 2/2006 Jarast D34/14
D687,614 S * 8/2013 Simpson et al. D34/26
2001/0045371 A1 * 11/2001 Ordonez 206/499

* cited by examiner

Primary Examiner — Cynthia Ramirez

(74) *Attorney, Agent, or Firm* — Pitts & Lake, P.C.

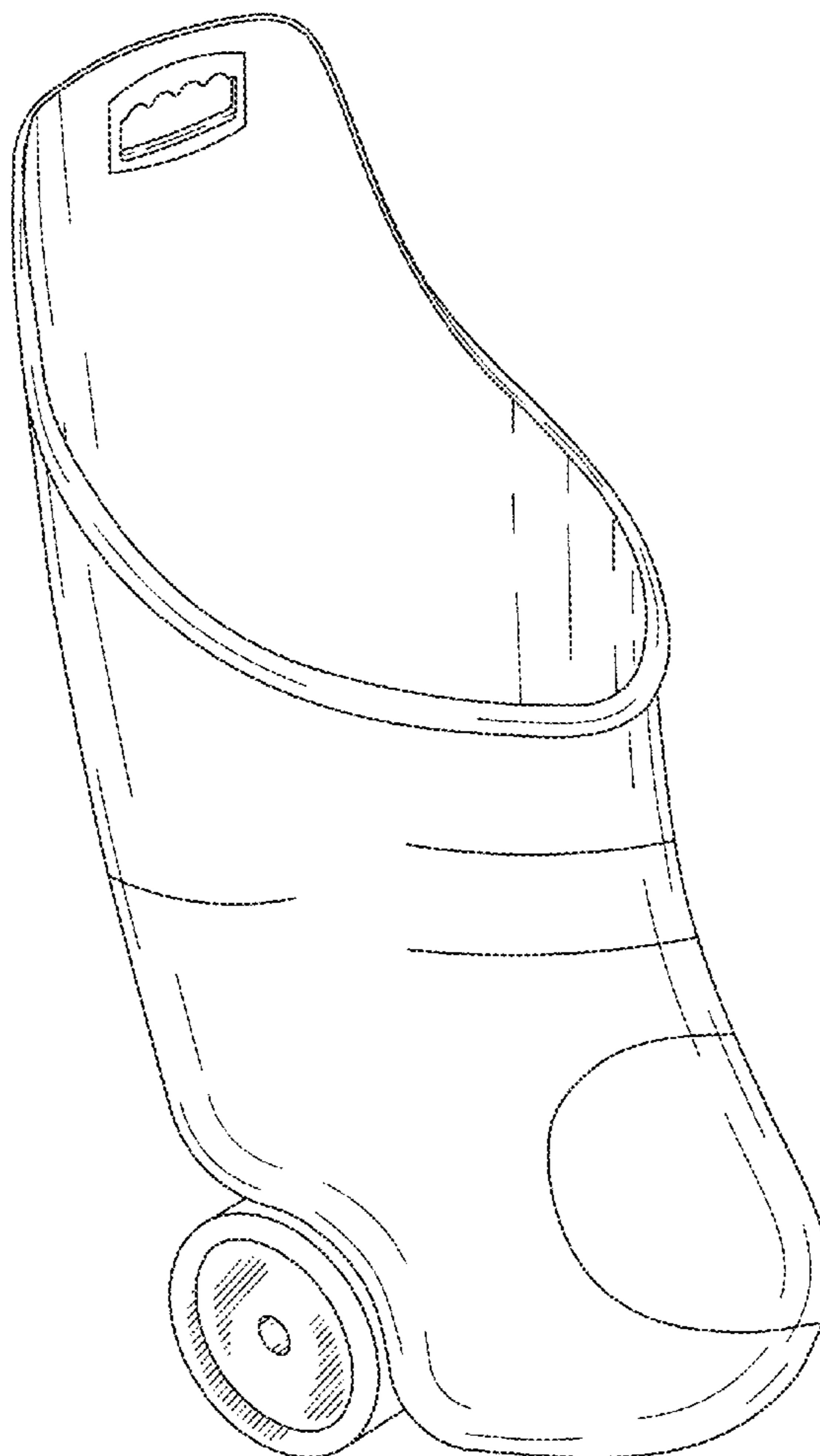
(57) **CLAIM**

I claim the ornamental design for mobile garden planter, as shown and described.

DESCRIPTION

FIG. 1 is a side perspective view of the design of the present invention for a mobile garden planter;
FIG. 2 is a side elevation view of the invention of FIG. 1;
FIG. 3 is a front elevation view of the invention of FIG. 1;
FIG. 4 is a rear elevation view of the invention of FIG. 1;
FIG. 5 is a top view of the invention of FIG. 1; and,
FIG. 6 is a bottom view of the invention of FIG. 1.

1 Claim, 5 Drawing Sheets



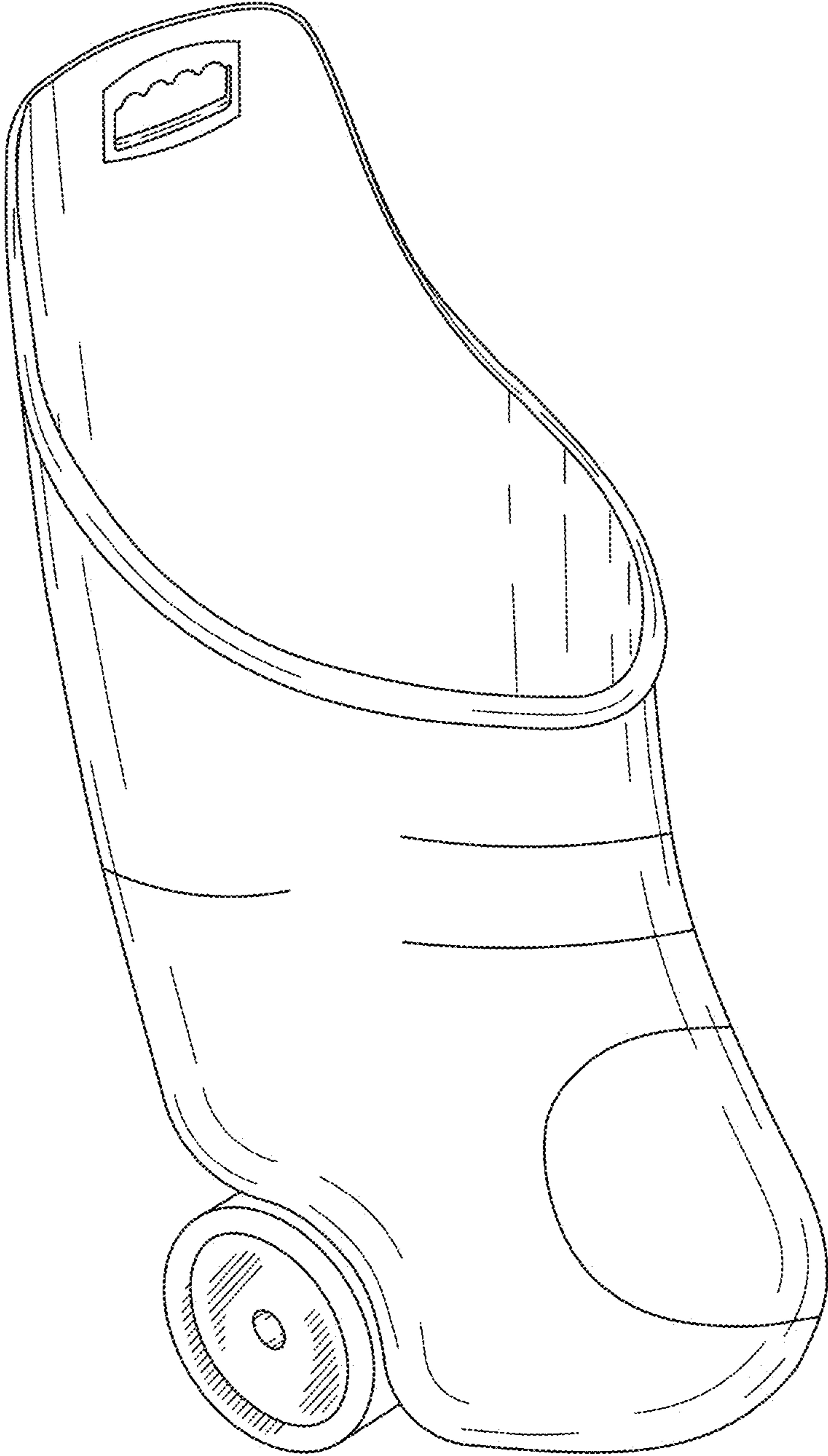


Fig. 1

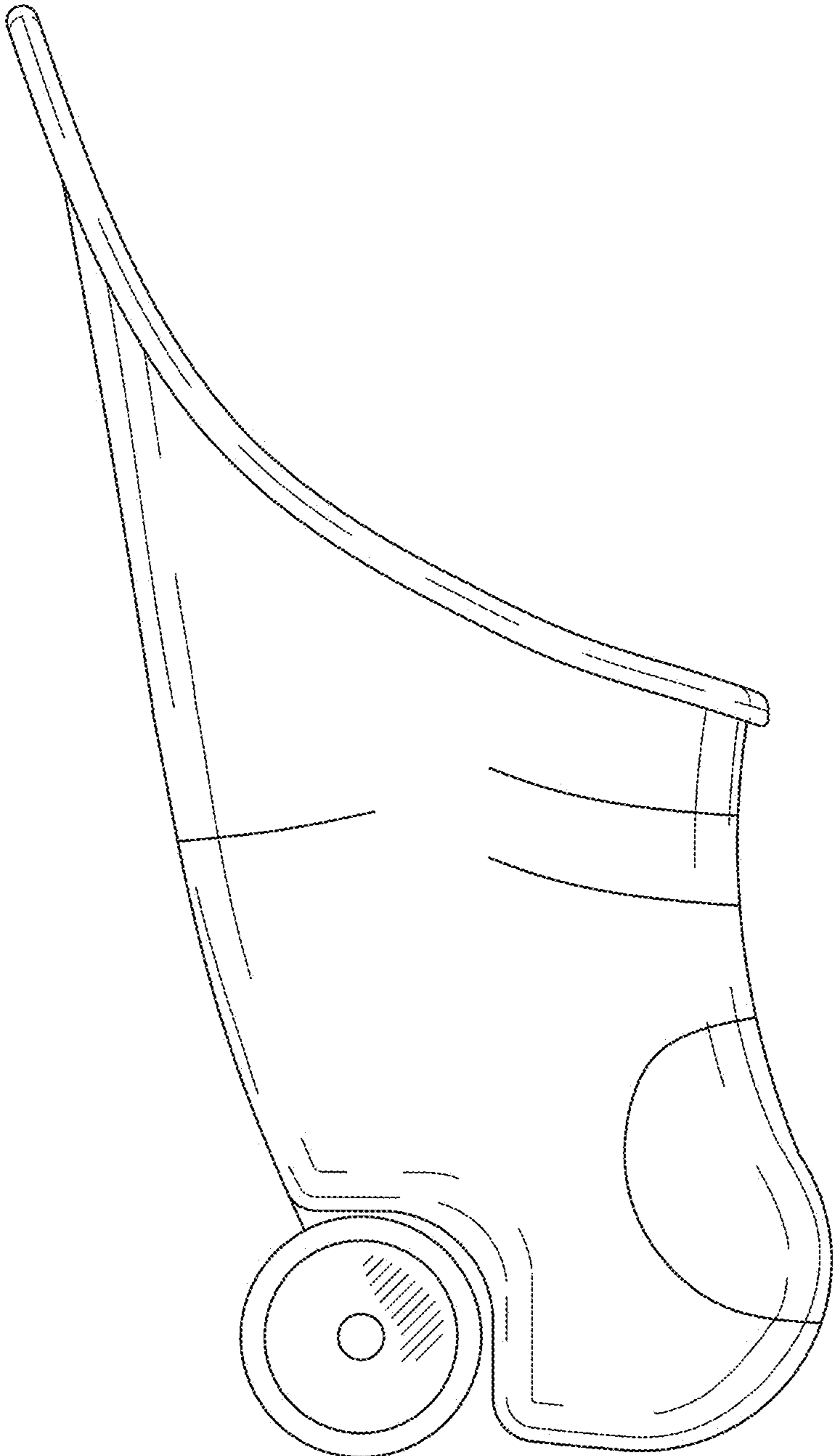


Fig.2

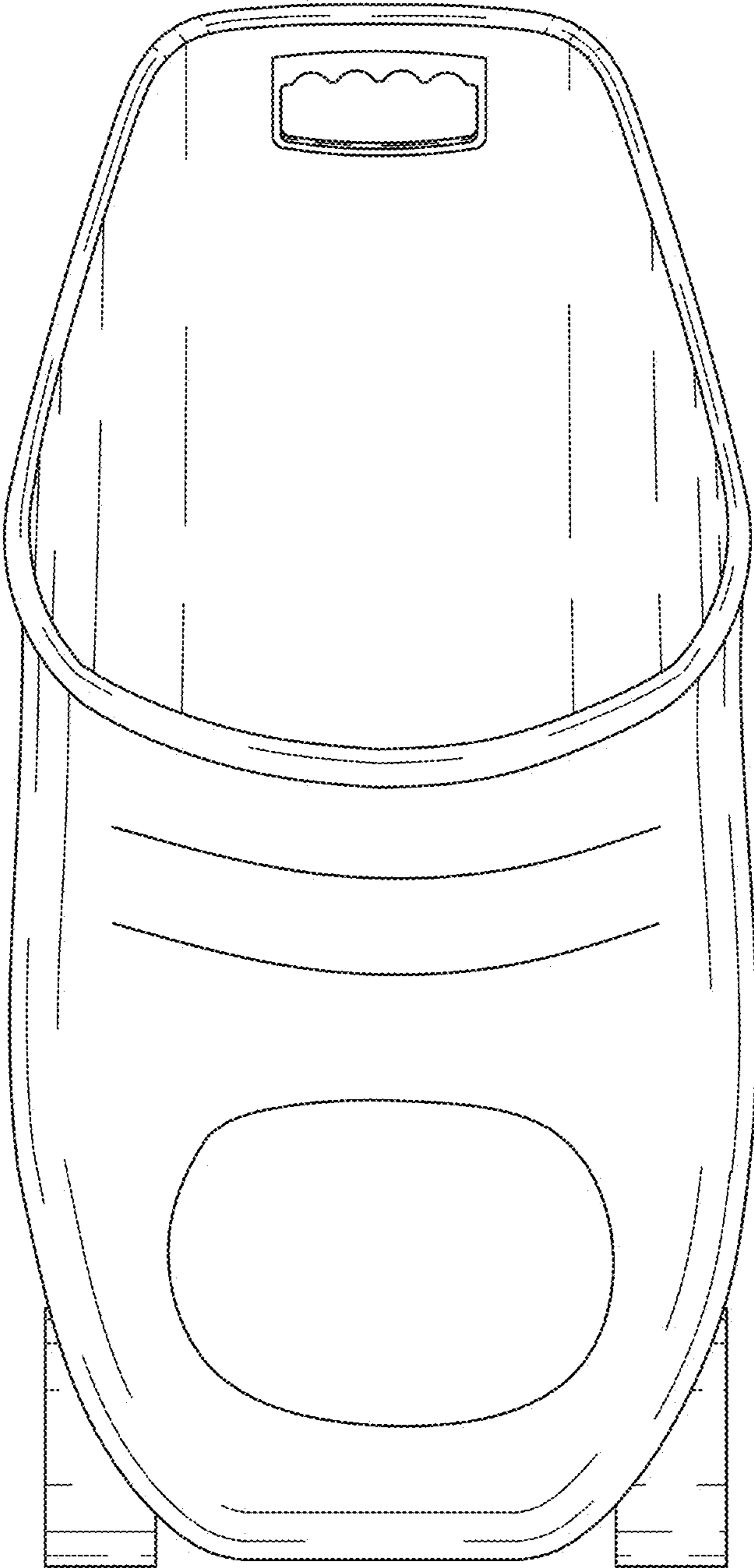


Fig. 3

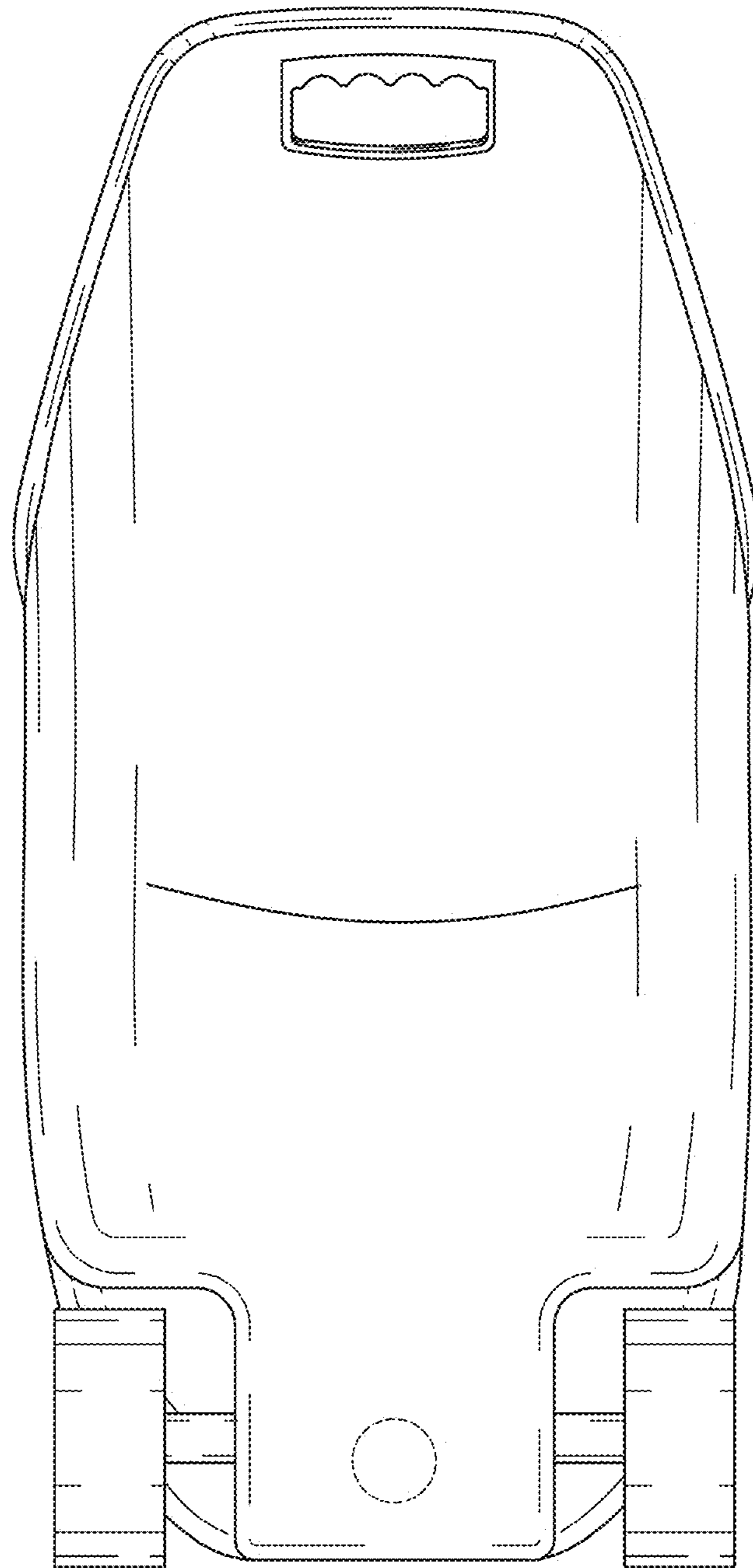


Fig. 4

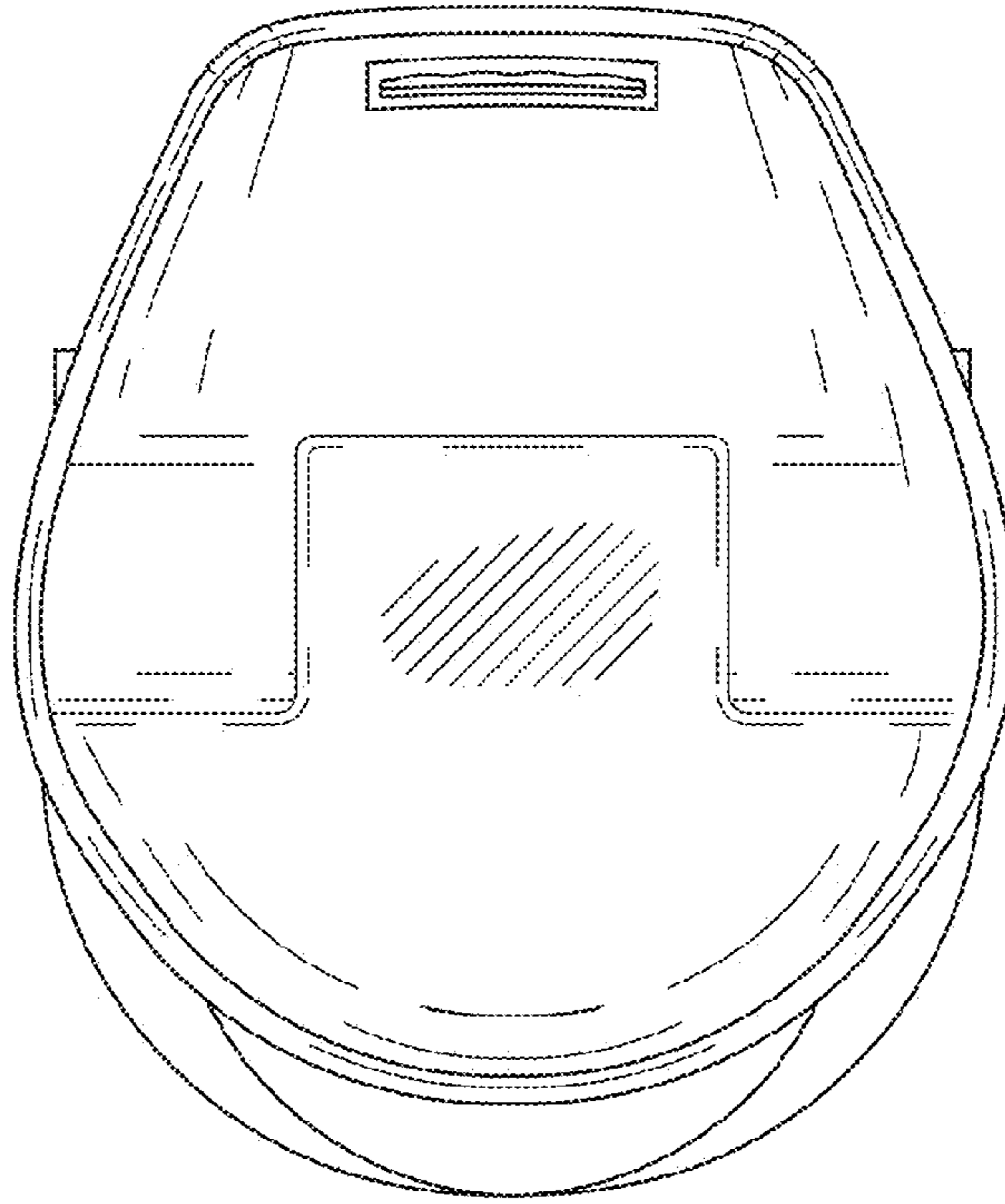


Fig. 5

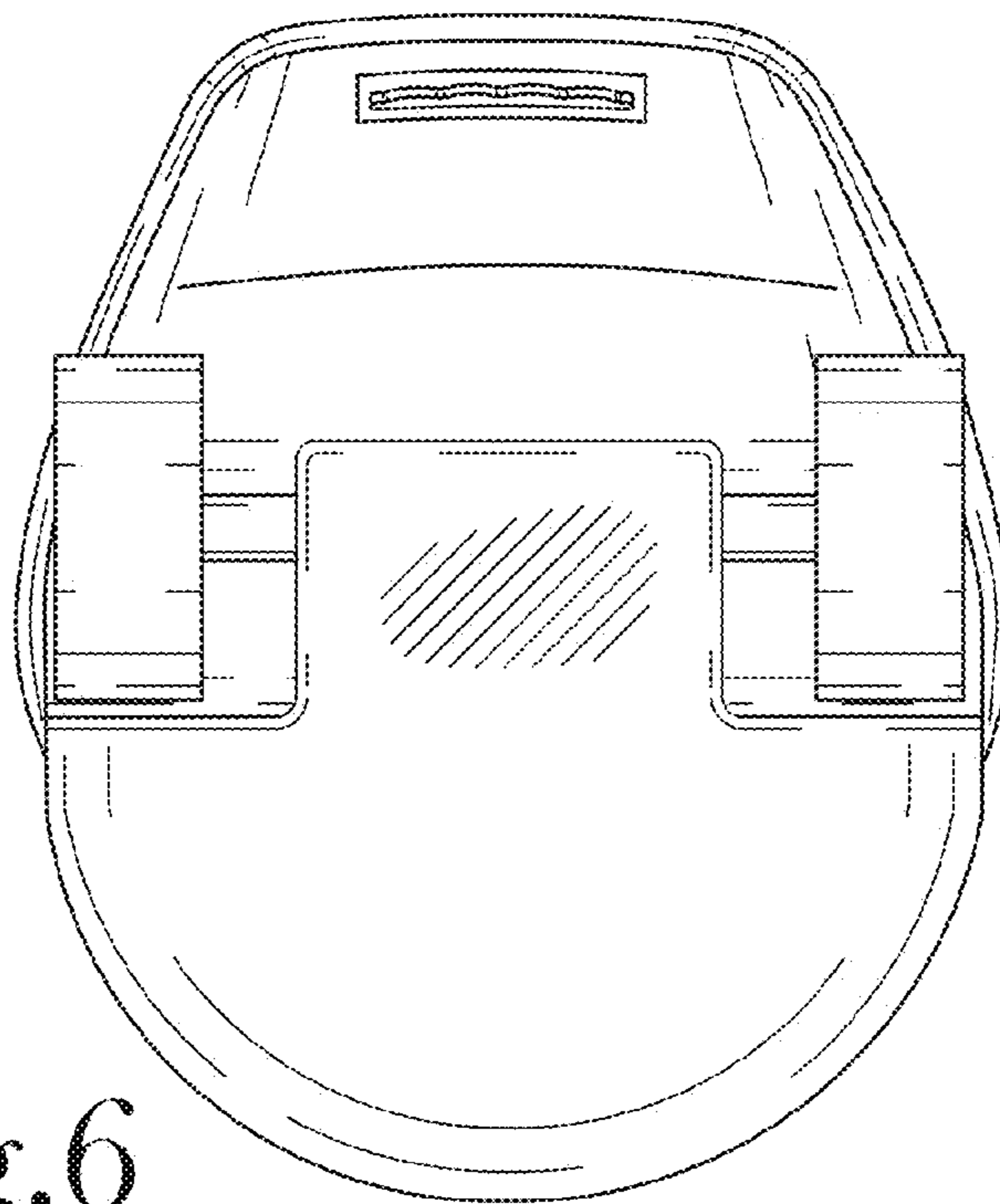


Fig. 6