



US00D706011S

(12) **United States Design Patent**  
**Lau**

(10) **Patent No.:** **US D706,011 S**

(45) **Date of Patent:** **\*\* May 27, 2014**

(54) **TRASH CAN LINER HAVING DEODORIZING STRIPS**

(71) Applicant: **Karen Lau**, Temecula, CA (US)

(72) Inventor: **Karen Lau**, Temecula, CA (US)

(\*\*) Term: **14 Years**

(21) Appl. No.: **29/460,418**

(22) Filed: **Jul. 10, 2013**

(51) **LOC (10) Cl.** ..... **09-09**

(52) **U.S. Cl.**  
USPC ..... **D34/10**

(58) **Field of Classification Search**  
USPC ..... D34/1-11; 220/908, 908.1, 911, 912,  
220/87.1, 909, 371, 367.1  
See application file for complete search history.

(56) **References Cited**

**U.S. PATENT DOCUMENTS**

2,514,902	A *	7/1950	Sabath	96/148
2,798,636	A *	7/1957	Ketchledge	220/626
3,702,677	A *	11/1972	Heffington	239/55
4,661,326	A *	4/1987	Schainholz	422/310
D328,789	S *	8/1992	Kopf	D24/162
6,077,485	A *	6/2000	Baker	422/300

D461,896	S *	8/2002	Worthington	D24/162
7,485,166	B2 *	2/2009	Safuto	55/385.1
D645,220	S *	9/2011	Yang et al.	D34/10
2004/0232151	A1 *	11/2004	Bauer	220/371
2006/0081632	A1 *	4/2006	Shieh	220/87.1

\* cited by examiner

*Primary Examiner* — Cynthia Ramirez

(74) *Attorney, Agent, or Firm* — Gulf Coast Intellectual Property Group

(57) **CLAIM**

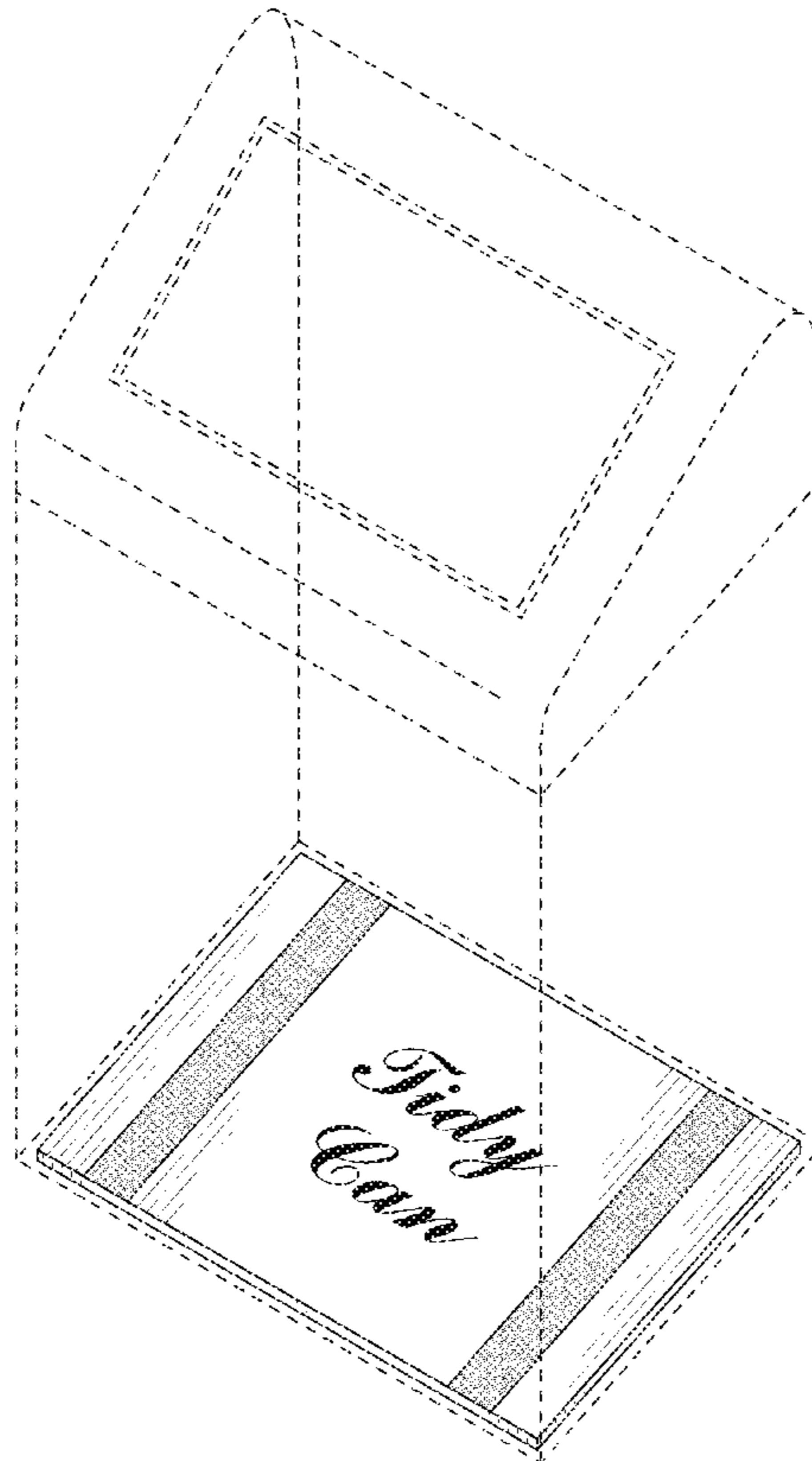
The ornamental design for the trash can liner having deodorizing strips, as shown and described.

**DESCRIPTION**

FIG. 1 is a perspective view of the trash can liner having deodorizing strips showing my new design;  
FIG. 2 is a front view thereof;  
FIG. 3 is a rear view thereof;  
FIG. 4 is a right side view thereof;  
FIG. 5 is left side view thereof;  
FIG. 6 is a top view thereof; and,  
FIG. 7 is a bottom view thereof.

The broken lines shown in the figures are included for the purpose of illustrating environment and form no part of the claimed design.

**1 Claim, 3 Drawing Sheets**



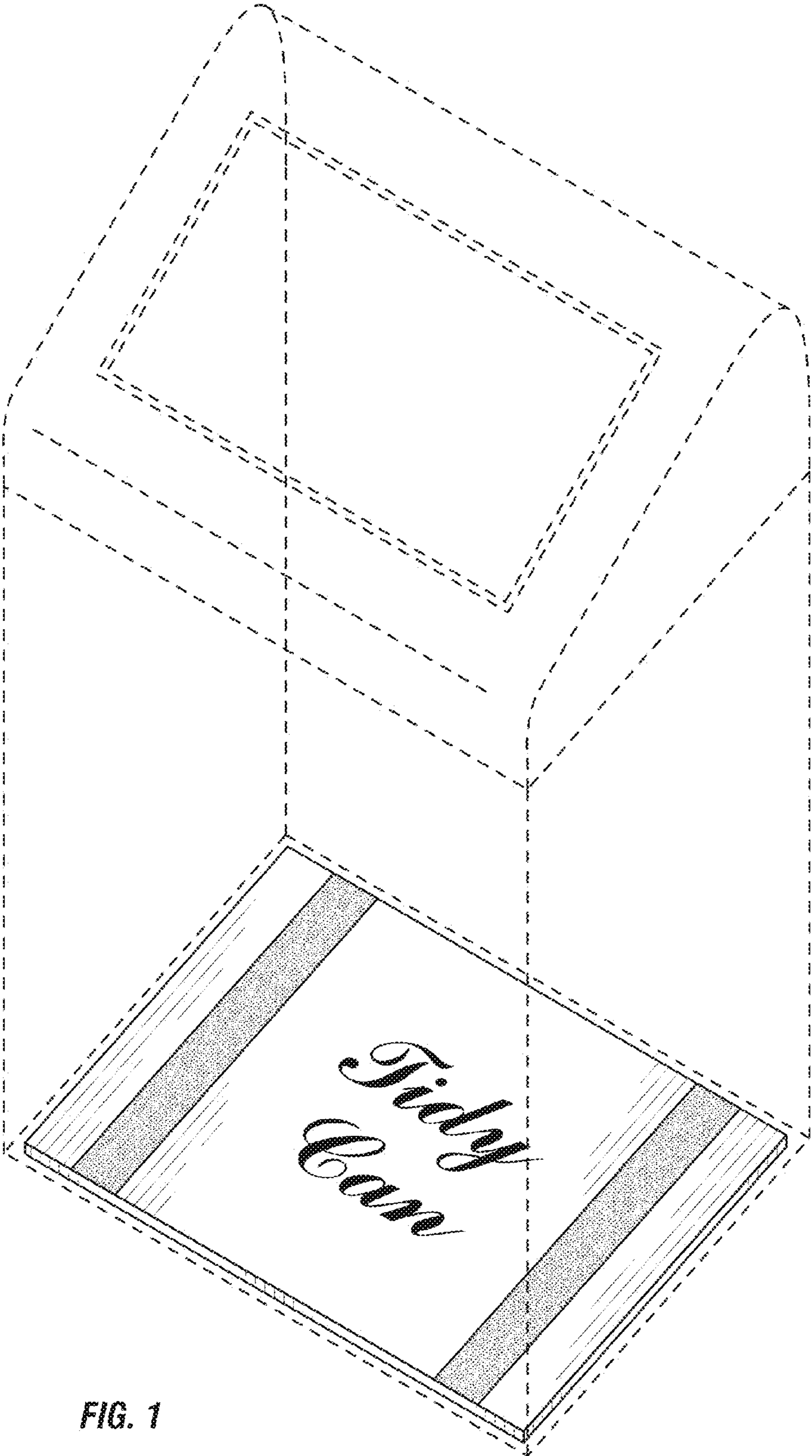


FIG. 1

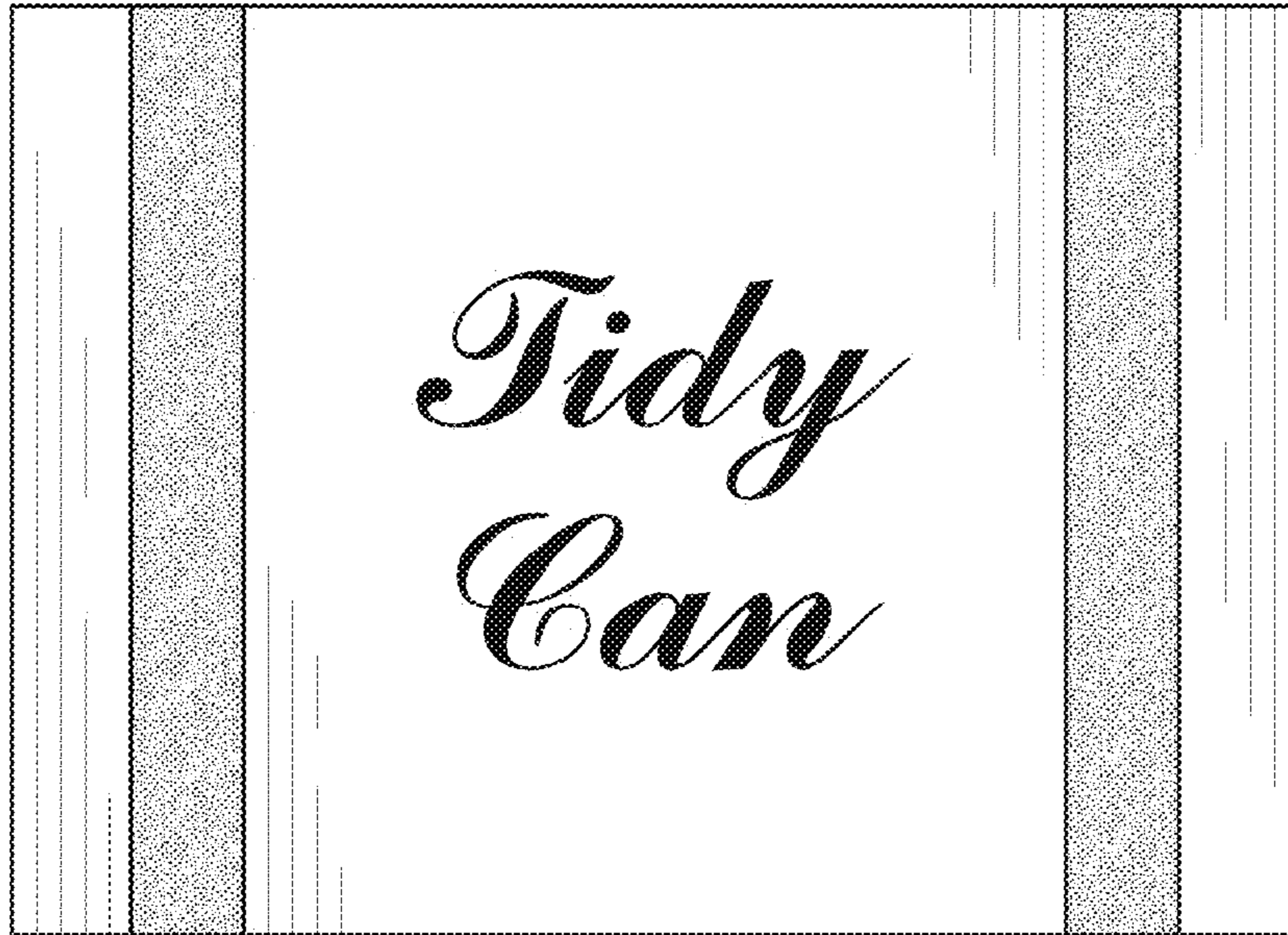


FIG. 2

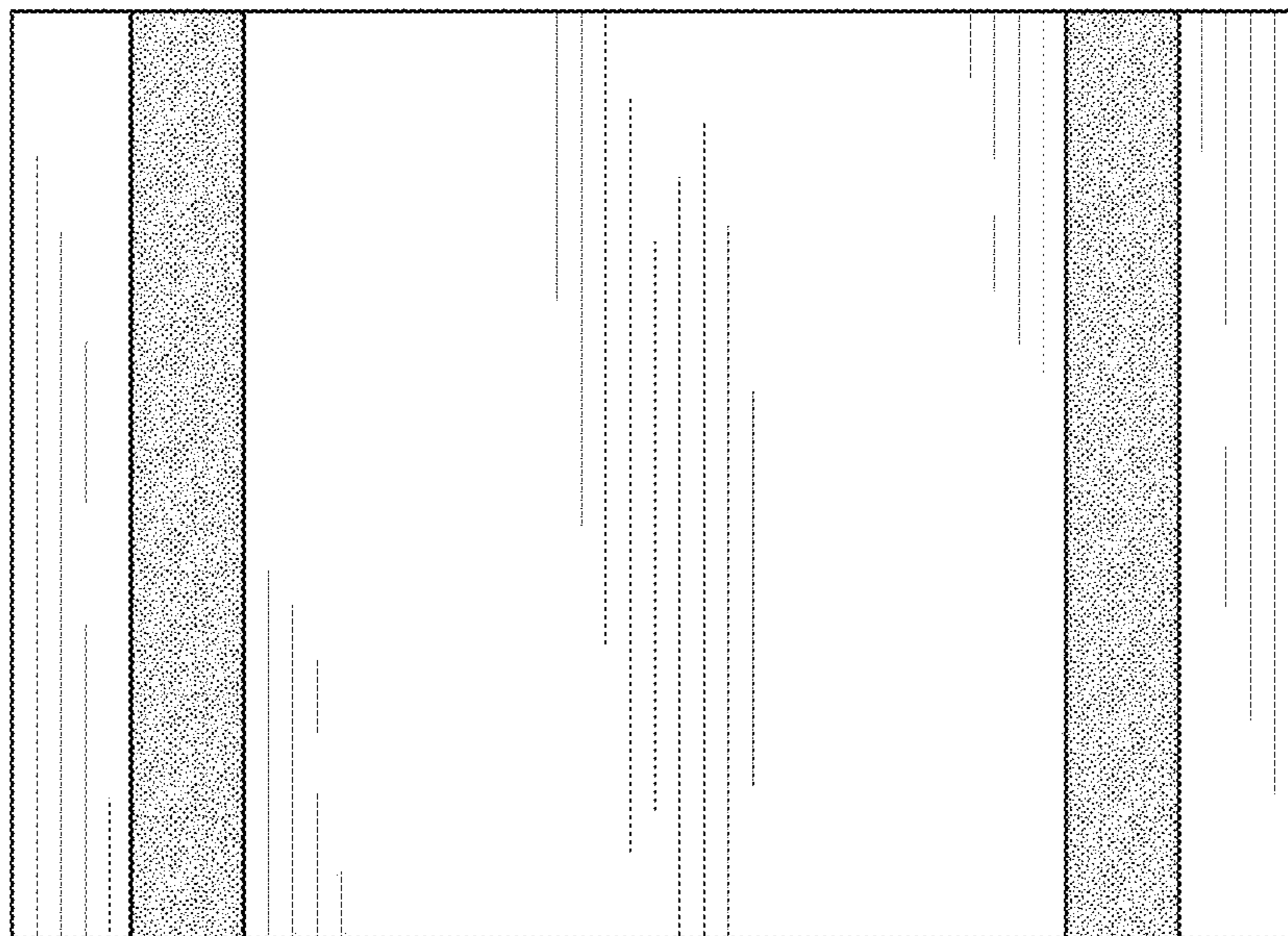


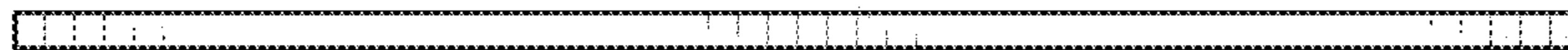
FIG. 3



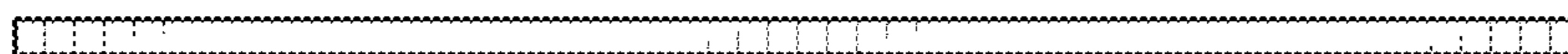
**FIG. 4**



**FIG. 5**



**FIG. 6**



**FIG. 7**