



US00D706010S

(12) **United States Design Patent**
Bijanfar

(10) **Patent No.:** **US D706,010 S**

(45) **Date of Patent:** **** May 27, 2014**

(54) **SIDE-GUARD FOR INSIDE OF A FLEXIBLE BAG**

(71) Applicant: **M. Hamid Bijanfar**, Jacksonville, FL (US)

(72) Inventor: **M. Hamid Bijanfar**, Jacksonville, FL (US)

(**) Term: **14 Years**

(21) Appl. No.: **29/442,509**

(22) Filed: **Mar. 15, 2013**

Related U.S. Application Data

(63) Continuation of application No. 12/199,804, filed on Sep. 10, 2011, now abandoned, which is a continuation-in-part of application No. 12/284,602, filed on Sep. 22, 2008, now abandoned.

(51) **LOC (10) Cl.** **09-09**

(52) **U.S. Cl.**
USPC **D34/6**

(58) **Field of Classification Search**
USPC D34/1, 4, 5, 6; 248/95, 96, 97, 98, 99, 248/100, 101
See application file for complete search history.

(56) **References Cited**

U.S. PATENT DOCUMENTS

1,953,042	A	3/1934	Cody	
3,784,049	A	1/1974	Hawk	
3,893,649	A *	7/1975	Cornell et al.	248/99
4,014,157	A *	3/1977	Pearce	53/459
4,133,356	A	1/1979	Dillingham	
4,280,315	A *	7/1981	Von Hapsburg	53/473
4,280,676	A *	7/1981	Betts	248/97

4,326,575	A *	4/1982	Larkin	220/666
4,372,102	A *	2/1983	McWilliams	53/474
4,457,483	A *	7/1984	Gagne	248/97
4,488,697	A *	12/1984	Garvey	248/101
4,735,340	A *	4/1988	Preston	220/495.1
D302,885	S *	8/1989	Barbee	D34/6
D334,448	S *	3/1993	Fish	D34/5
5,197,658	A *	3/1993	Sprunger	229/93
D347,577	S *	6/1994	Dire	D9/455
D360,510	S *	7/1995	Slovak	D34/5
5,501,358	A	3/1996	Hobday	
5,518,137	A *	5/1996	Hayes	220/495.11
5,597,022	A *	1/1997	Reifers	141/390
D399,623	S *	10/1998	Kearney	D34/6
6,044,877	A *	4/2000	Bennet	141/390
D553,321	S *	10/2007	Wilkinson	D34/6
7,997,543	B1	8/2011	Campbell	
8,342,461	B2 *	1/2013	Sutphen	248/97
8,556,100	B2 *	10/2013	Austin et al.	220/9.2
2007/0187558	A1 *	8/2007	Blodgett et al.	248/95
2011/0290956	A1 *	12/2011	Saue et al.	248/99

* cited by examiner

Primary Examiner — Cynthia Ramirez

(57) **CLAIM**

The ornamental design for a side-guard for inside of a flexible bag, as shown and described.

DESCRIPTION

FIG. 1 shows a top perspective view of a side-guard for inside of a flexible bag;

FIG. 2 shows a front elevation view thereof;

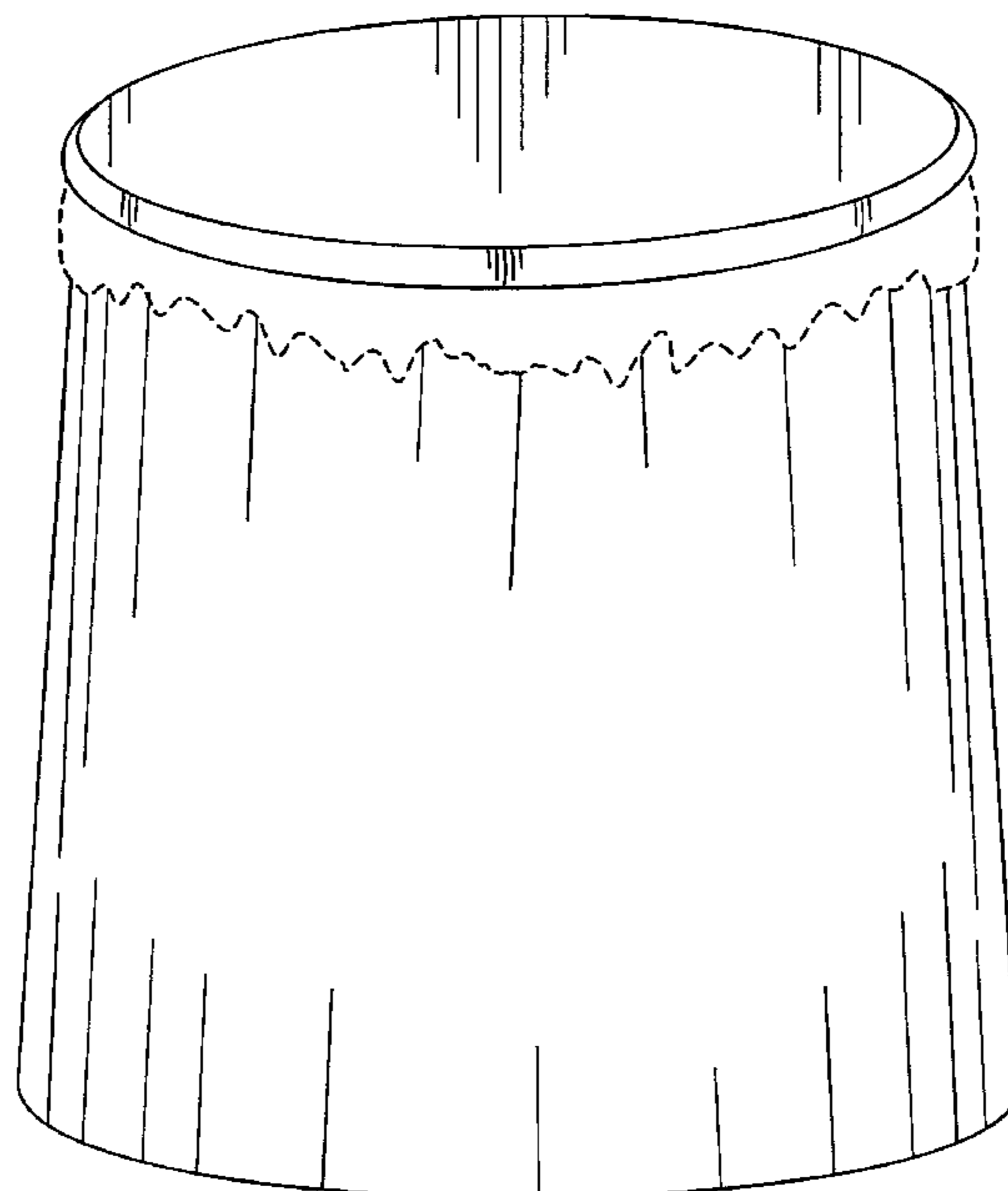
FIG. 3 shows a top plan view thereof;

FIG. 4 shows a bottom plan view thereof; and,

FIG. 5 shows an exploded view thereof.

The broken lines shown in the drawings are for environmental purposes only and form no part of the claimed design.

1 Claim, 5 Drawing Sheets



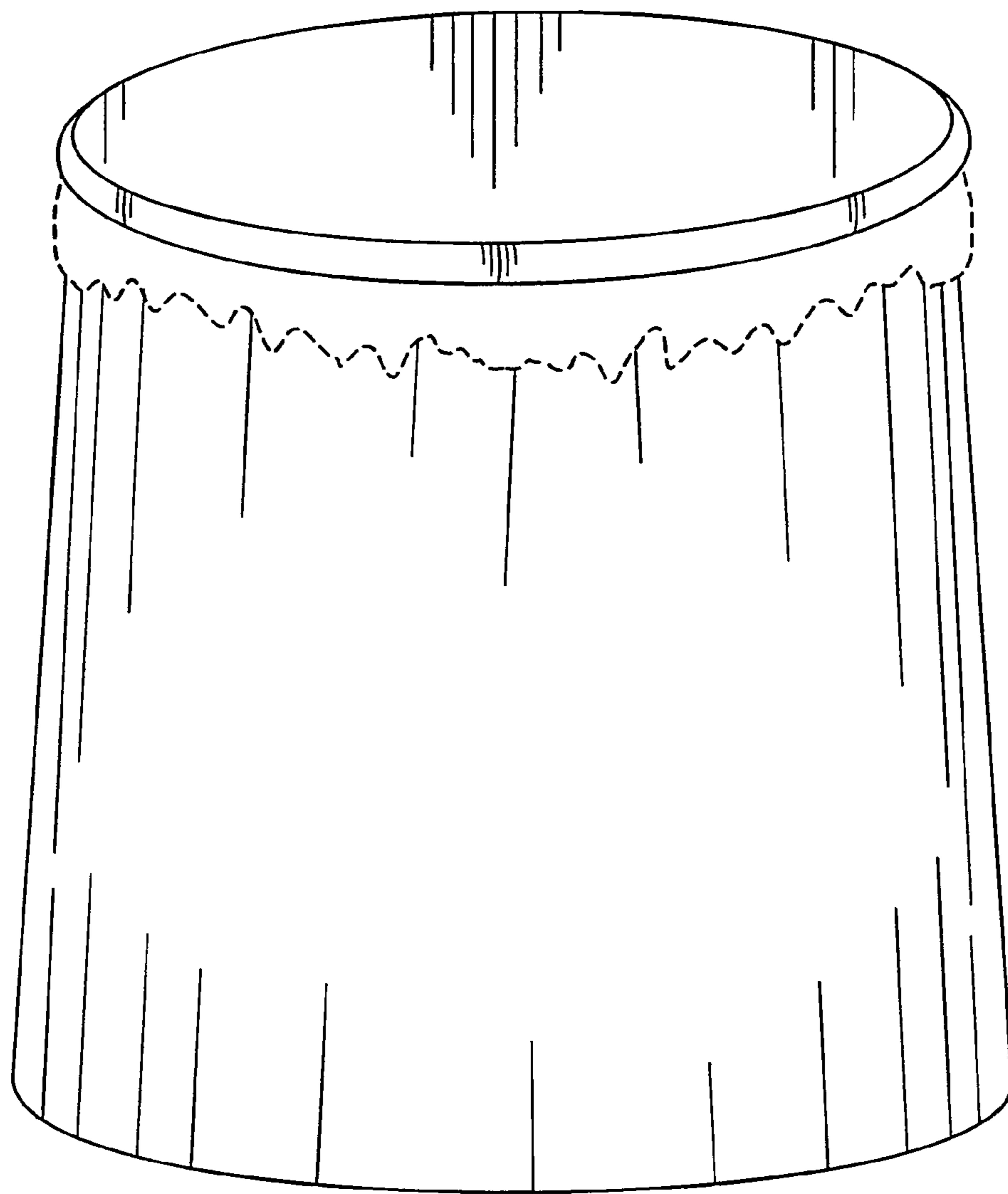


FIG. 1

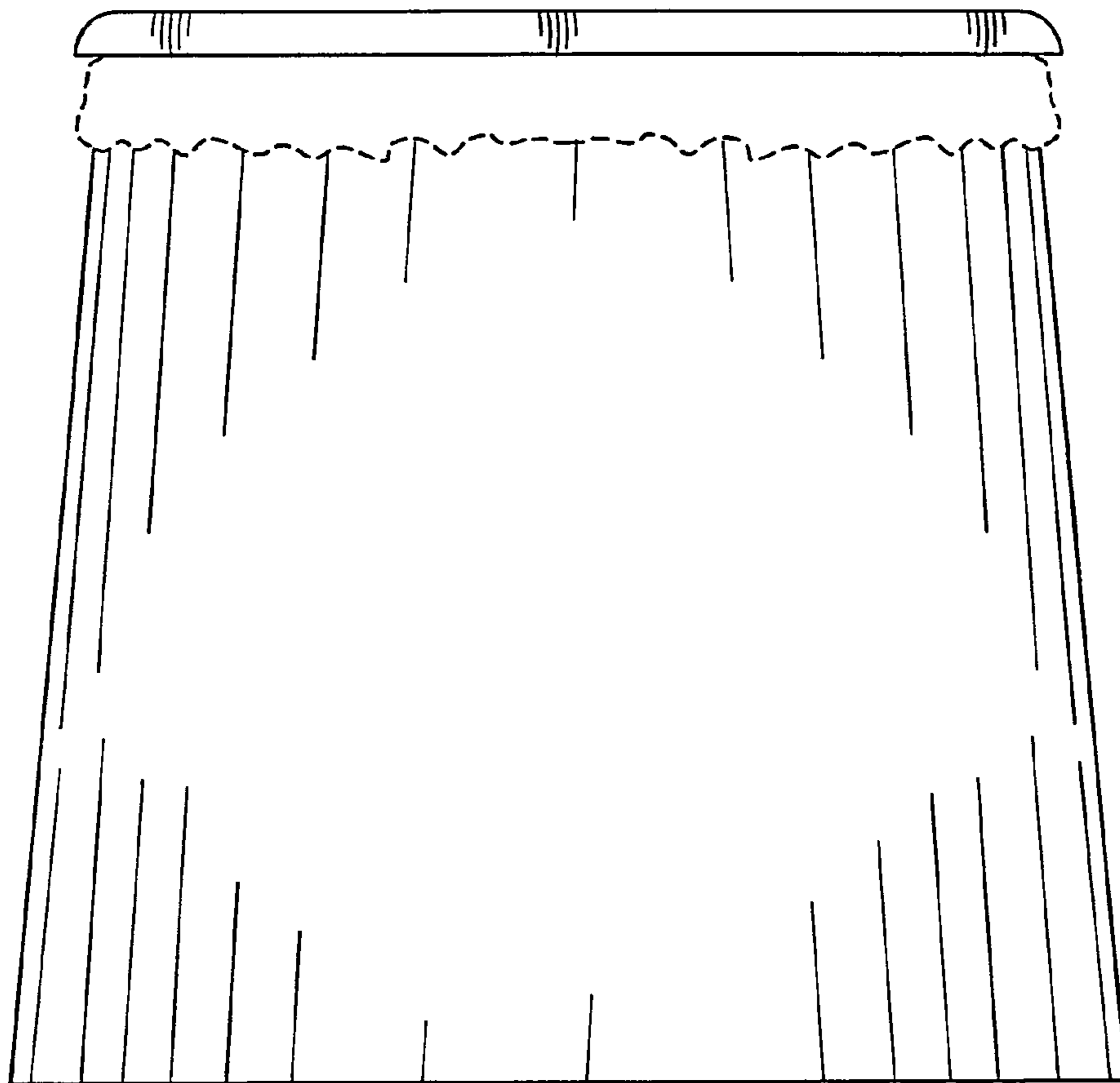


FIG. 2

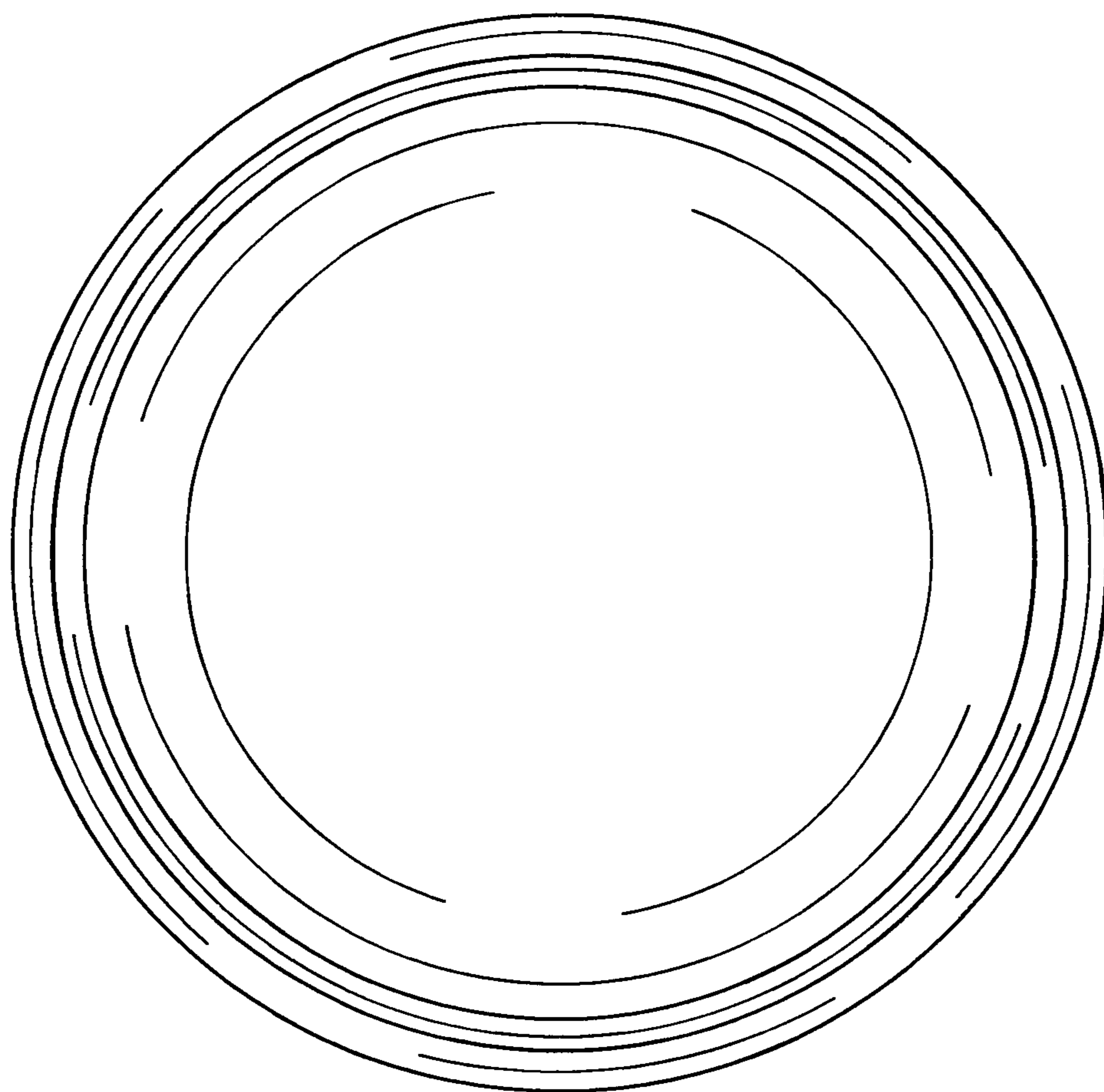


FIG. 3

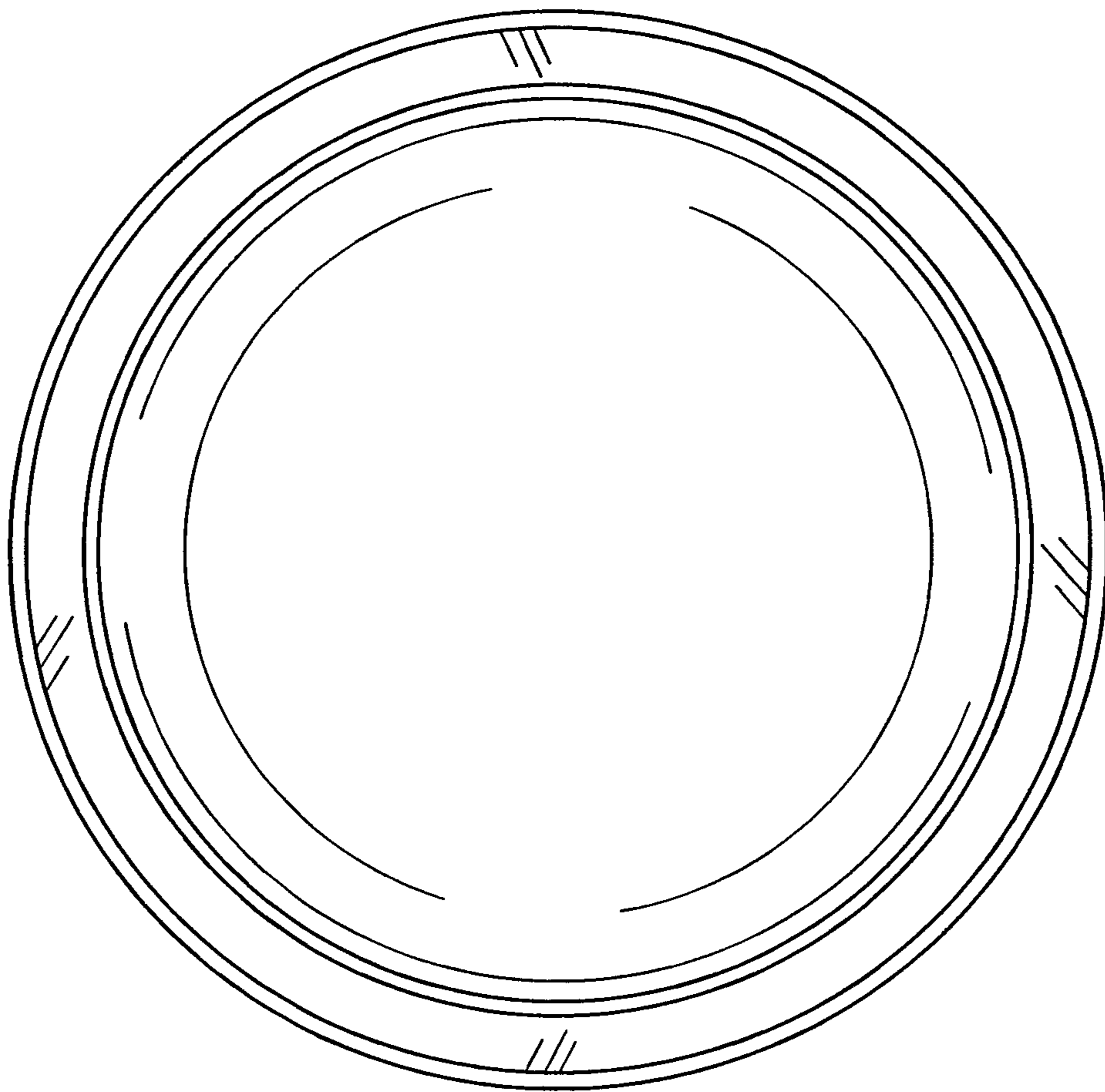


FIG. 4

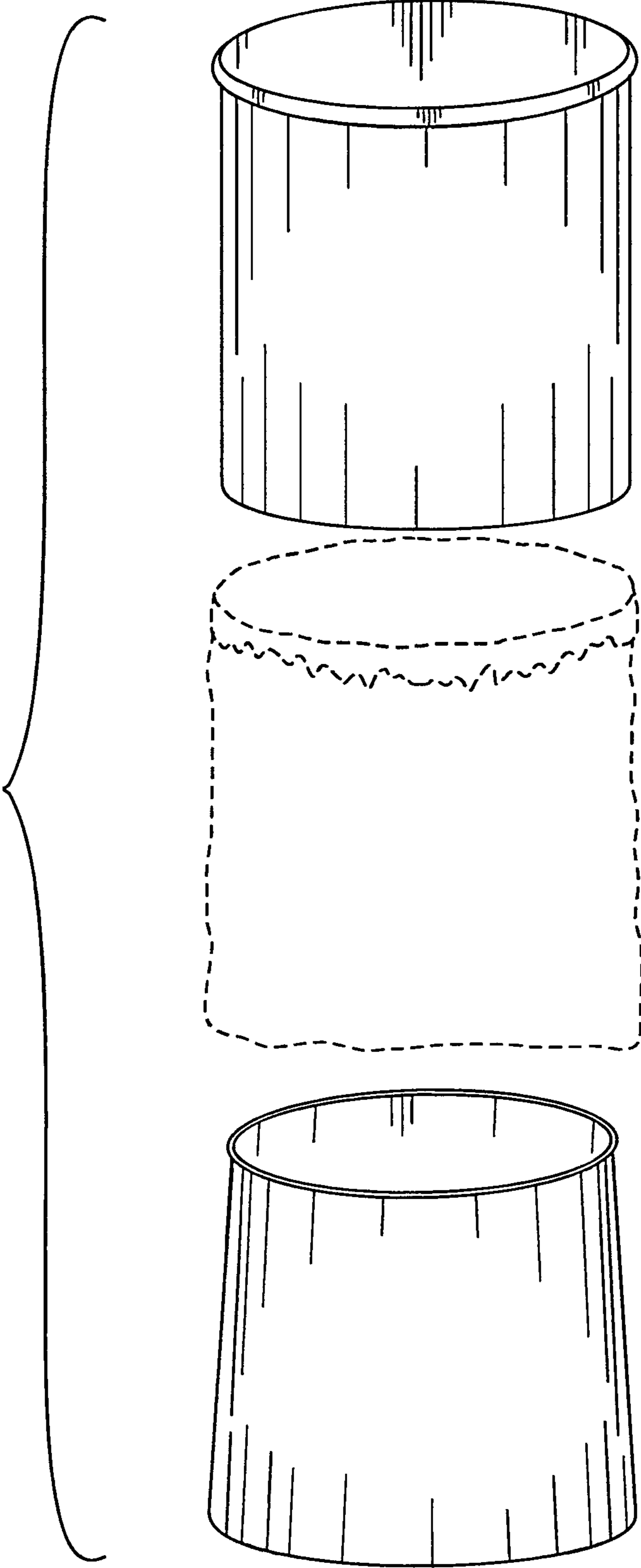


FIG. 5