



US00D706008S

(12) **United States Design Patent**  
**Lerner**

(10) **Patent No.:** **US D706,008 S**  
(45) **Date of Patent:** **\*\* May 27, 2014**

- (54) **DRYING RACK BASE**
- (71) Applicant: **Polder Housewares, Inc.**, Oxford, CT (US)
- (72) Inventor: **Ran Lerner**, New York, NY (US)
- (73) Assignee: **Polder Housewares, Inc.**, Oxford, CT (US)
- (\*\*) Term: **14 Years**
- (21) Appl. No.: **29/472,342**
- (22) Filed: **Nov. 12, 2013**
- (51) **LOC (10) Cl.** ..... **07-05**
- (52) **U.S. Cl.**  
USPC ..... **D32/55**
- (58) **Field of Classification Search**  
USPC ..... D32/55, 276, 3; D6/510, 525; D30/133;  
211/41.5, 41.4, 41.3, 41.8; 361/679.4;  
312/311, 333, 334.4; D7/354, 629  
See application file for complete search history.

D492,457 S *	6/2004	Soroka	.....	D32/55
D555,310 S *	11/2007	Yang et al.	.....	D32/55
D555,311 S *	11/2007	Yang et al.	.....	D32/55
D634,089 S *	3/2011	Wisniewski	.....	D32/55
D640,433 S *	6/2011	Pargansky	.....	D32/55
D667,190 S *	9/2012	Miller	.....	D32/55
D690,069 S *	9/2013	Sofy et al.	.....	D32/55
D693,081 S *	11/2013	Yang et al.	.....	D32/55
D695,482 S *	12/2013	Huang	.....	D32/55
D696,829 S *	12/2013	Huang	.....	D32/55

\* cited by examiner

*Primary Examiner* — Austin Murphy  
(74) *Attorney, Agent, or Firm* — Duane Morris LLP

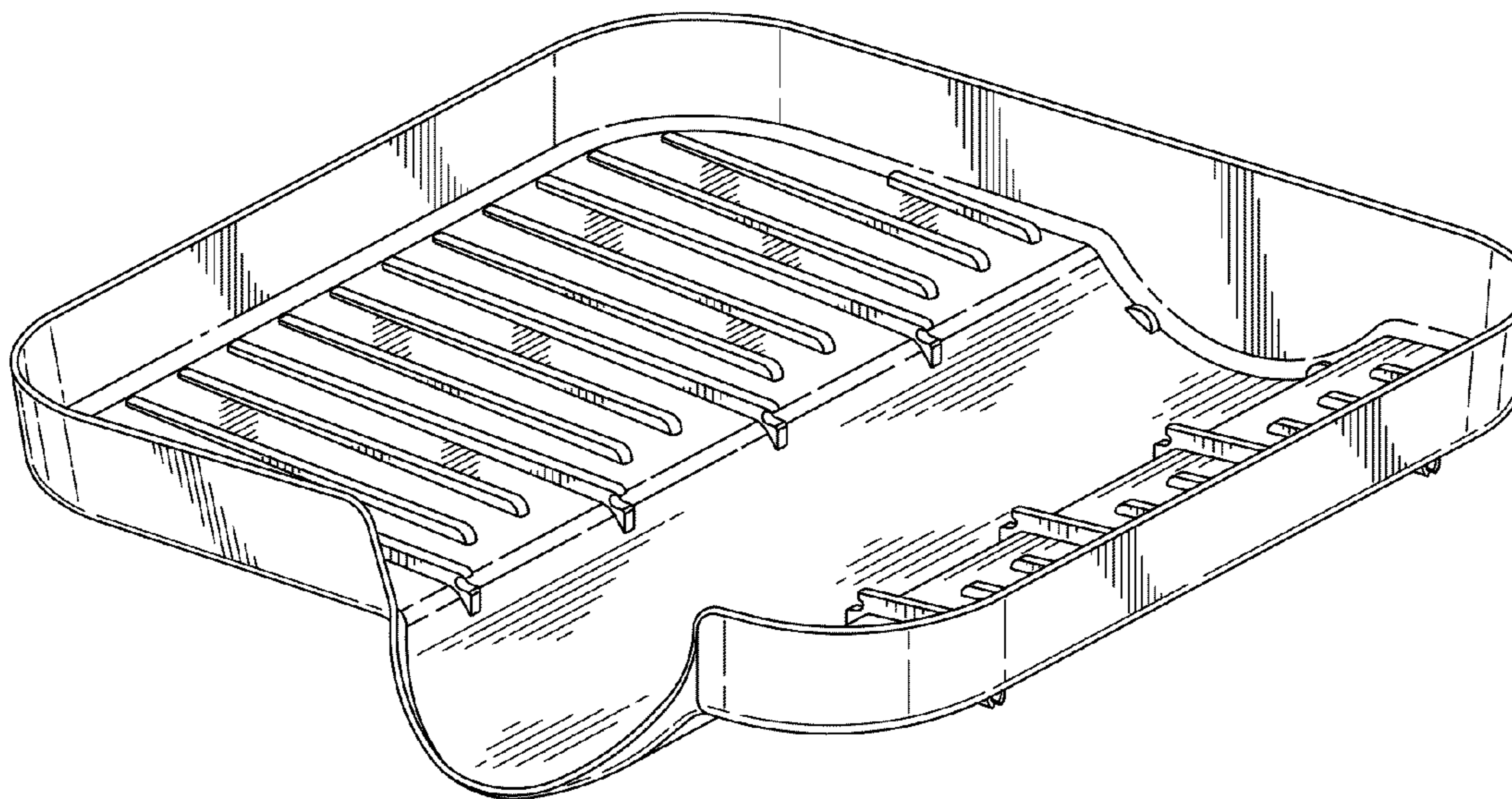
(57) **CLAIM**  
The ornamental design for a drying rack base, as shown and described in the Figures.

**DESCRIPTION**

FIG. 1 is a perspective view of the drying rack base; FIG. 2 is a top side view of the drying rack base; FIG. 3 is a bottom side view of the drying rack base; FIG. 4 is a front side view of the drying rack base; FIG. 5 is a rear side view of the drying rack base; FIG. 6 is a side view of the drying rack base; and, FIG. 7 is a side view of the drying rack base that is opposite the side illustrated in FIG. 6.  
The broken line showing of structure is for illustrative purposes only, and forms no part of the claimed design.

**1 Claim, 5 Drawing Sheets**

- (56) **References Cited**  
U.S. PATENT DOCUMENTS  
D273,214 S \* 3/1984 Argandona ..... D21/525  
D364,018 S \* 11/1995 Brightbill et al. .... D32/55  
D383,273 S \* 9/1997 Hampshire ..... D32/55  
D432,750 S \* 10/2000 Rashid ..... D32/55  
D446,369 S \* 8/2001 Smith et al. .... D32/55



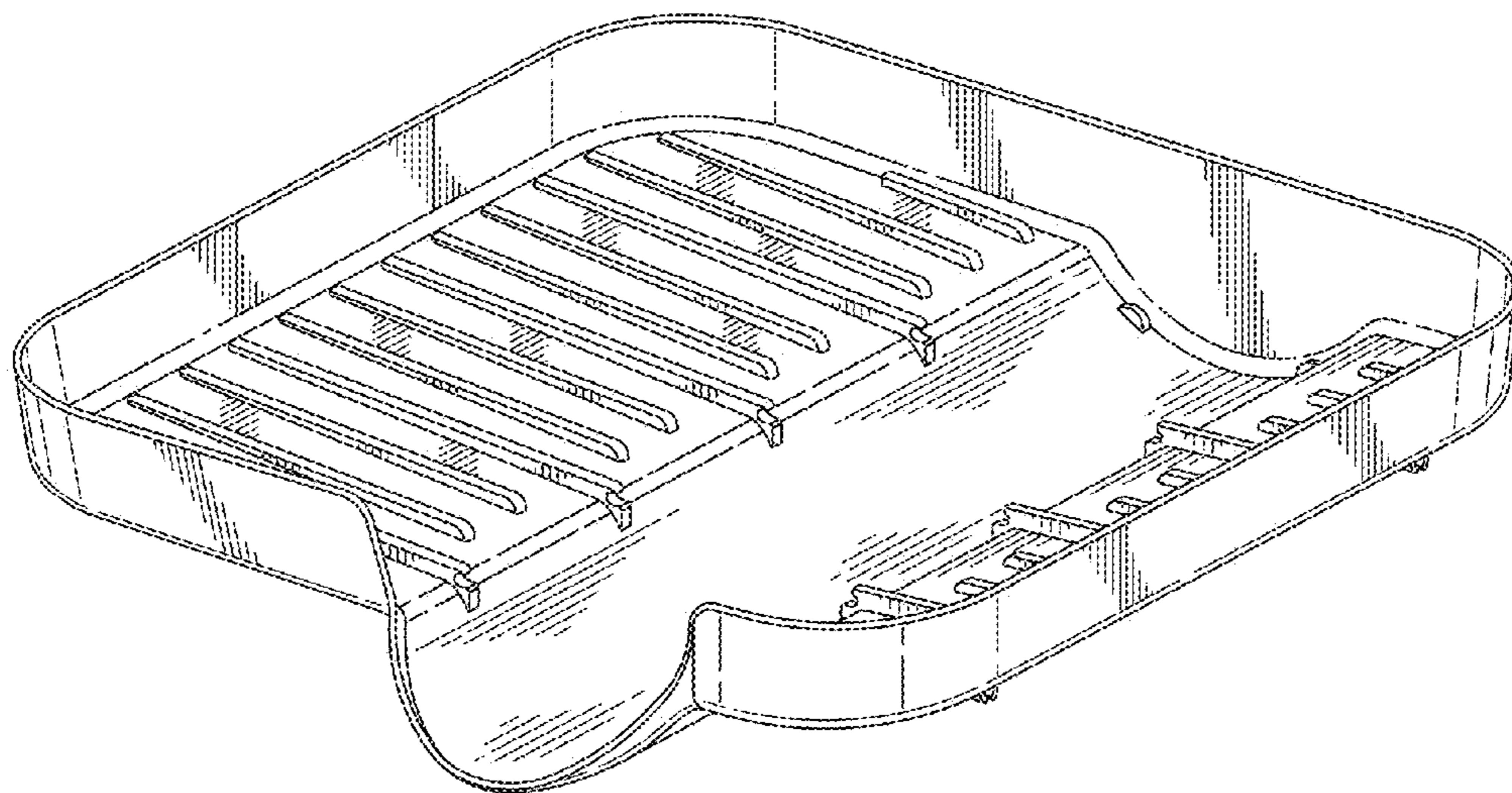


FIG. 1

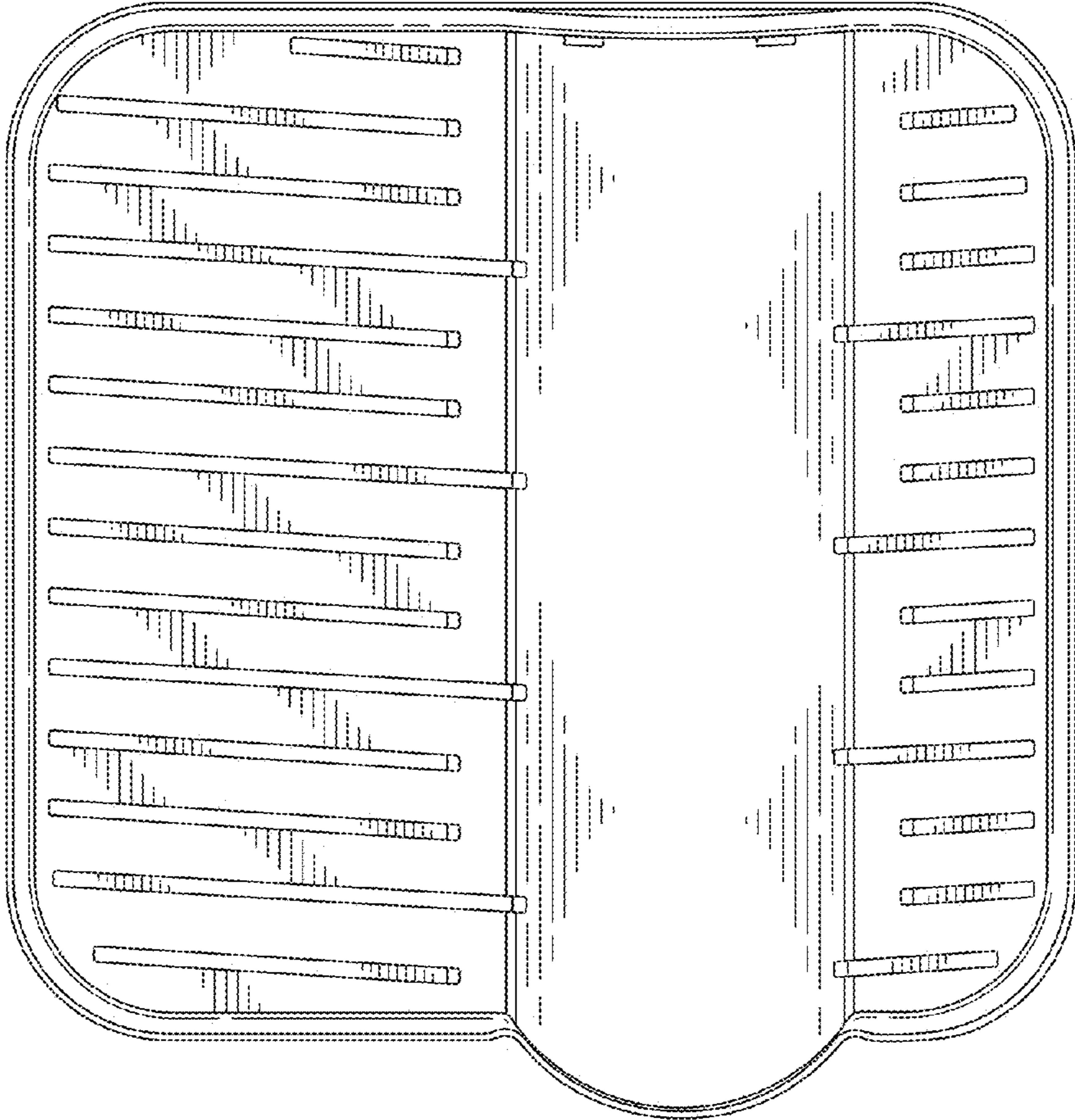


FIG. 2



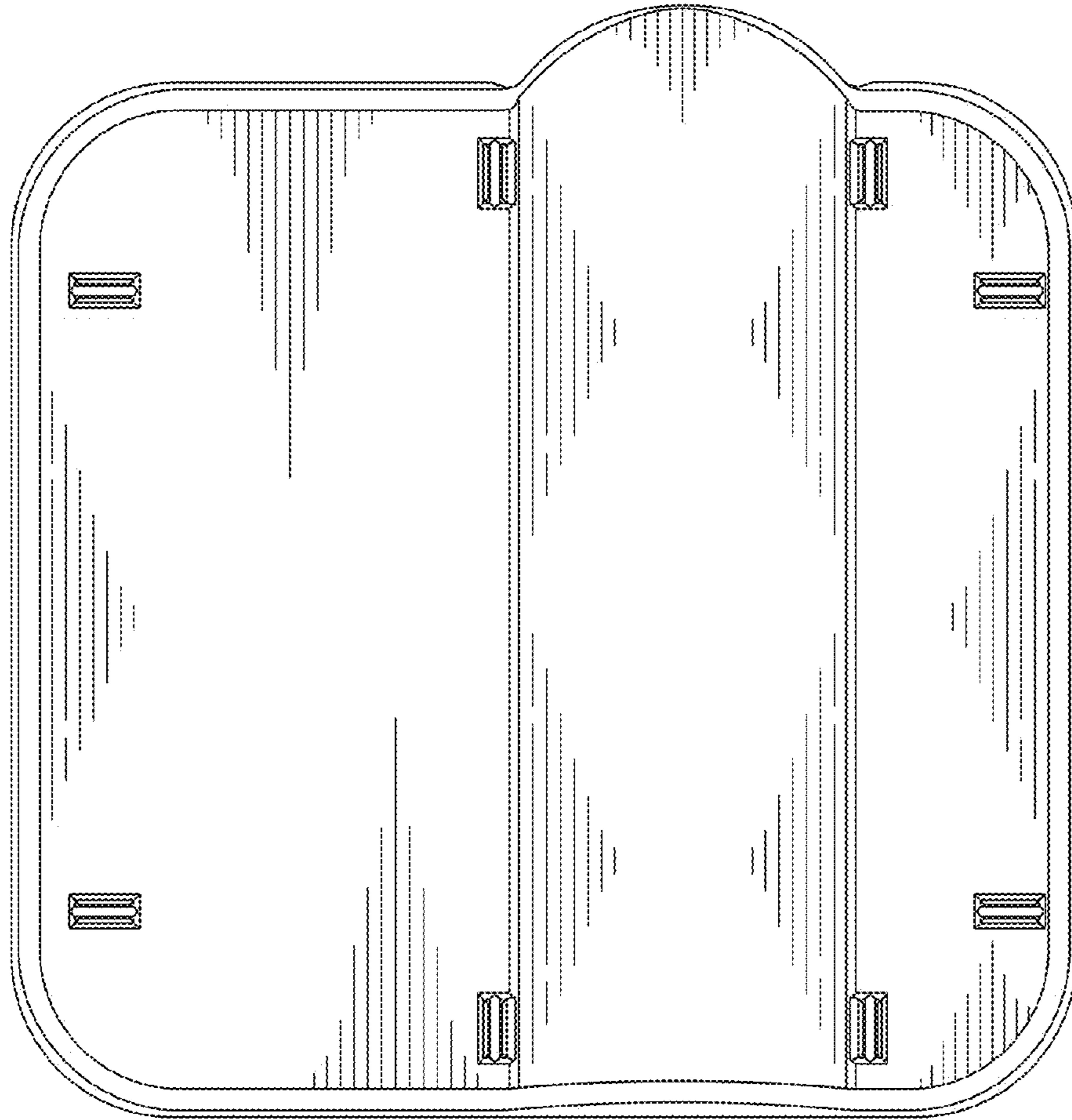


FIG. 3

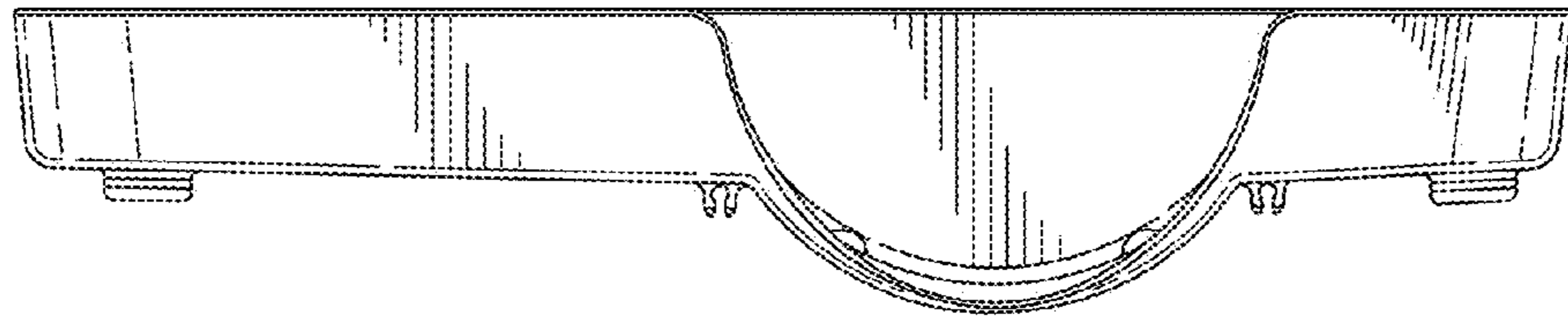


FIG. 4

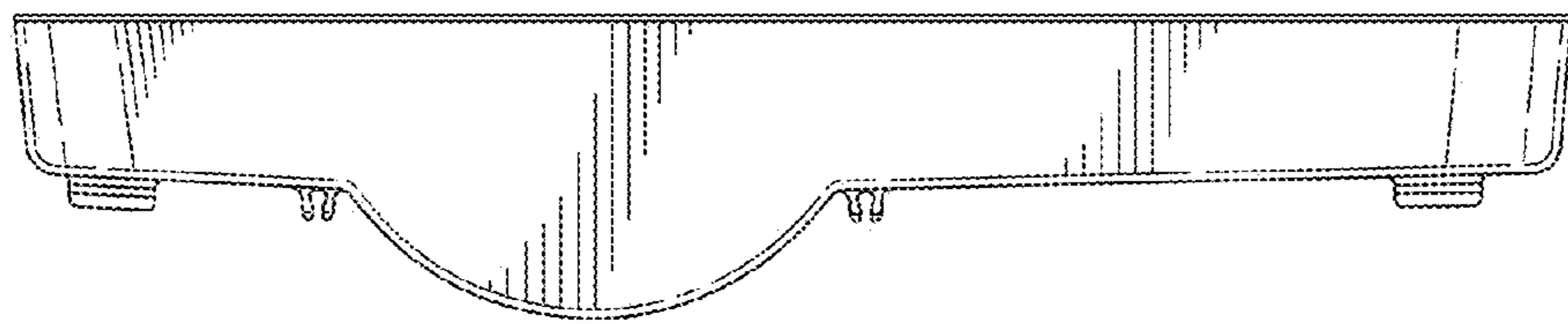


FIG. 5

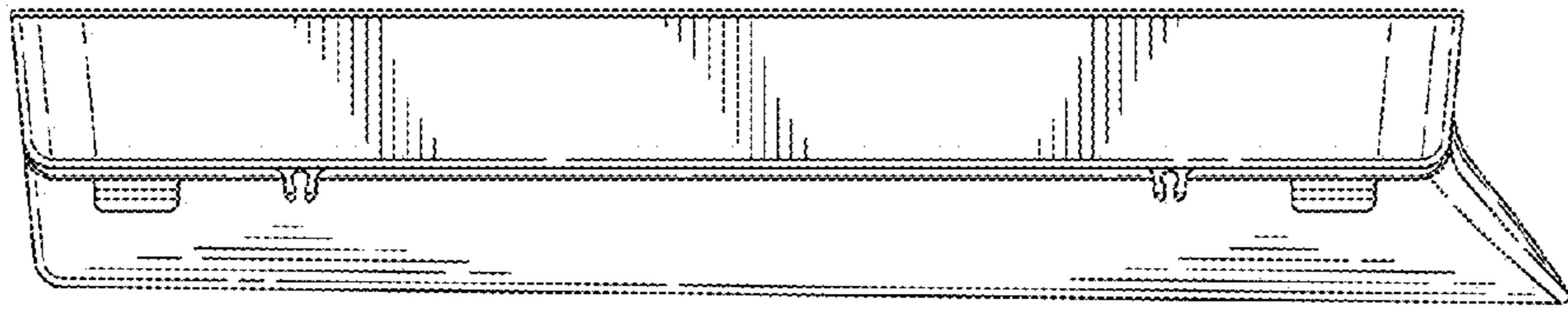


FIG. 6

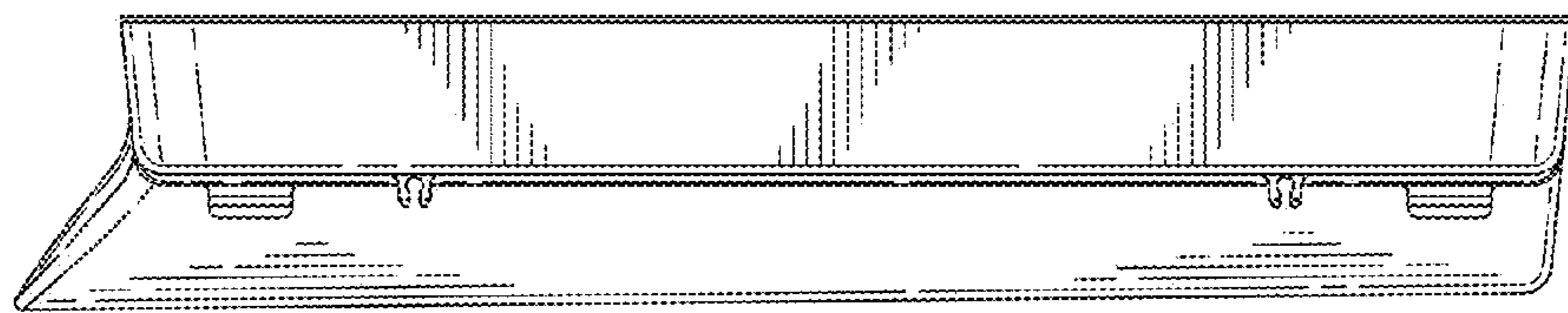


FIG. 7