



US00D706007S

(12) **United States Design Patent**
Ediger et al.

(10) **Patent No.:** **US D706,007 S**
(45) **Date of Patent:** **** May 27, 2014**

(54) **GARMENT CLAMP FOR STEAMER USE**

(71) Applicant: **Vornado Air, LLC**, Andover, KS (US)

(72) Inventors: **Glen W. Ediger**, North Newton, KS (US); **Gary P. Israel**, Andover, KS (US); **Katherine T. Sparks**, Wichita, KS (US)

(73) Assignee: **Vornado Air, LLC**, Andover, KS (US)

(**) Term: **14 Years**

(21) Appl. No.: **29/438,498**

(22) Filed: **Nov. 30, 2012**

(51) **LOC (10) Cl.** **08-99**

(52) **U.S. Cl.**
USPC **D32/35**

(58) **Field of Classification Search**

USPC D8/4, 48, 51, 52, 56, 57, 58, 67, 69, 72, D8/73, 74, 93, 395; D19/72; D32/6, 9, 10, D32/17, 35, 60, 61; 16/252; 30/194; 38/12, 38/69, 70, 74, 82, 85, 90, 94, 95, 102.91, 38/141; 81/4, 302, 304, 415, 418, 420; 83/366, 375, 508, 663, 747, 782; 100/71, 73, 92; 223/27, 36, 51, 52, 70, 223/73

See application file for complete search history.

(56) **References Cited**

U.S. PATENT DOCUMENTS

D132,430 S * 5/1942 Rosenberg D8/395
3,359,151 A * 12/1967 Hall 81/420
3,664,703 A * 5/1972 Talley D8/51
4,250,620 A * 2/1981 Nishikawa D8/57
D260,726 S * 9/1981 Ishii D8/57
D276,975 S * 1/1985 Wordtmann D8/57
D277,534 S * 2/1985 Warmath D32/61
D303,486 S * 9/1989 Wang D8/57
D335,249 S * 5/1993 Hopkins D8/52
D368,418 S * 4/1996 Aida D8/57
D481,606 S * 11/2003 Ben-Gigi D8/72

D485,481 S * 1/2004 Wolff D8/72
D491,434 S * 6/2004 Noniewicz D8/58
D498,497 S * 11/2004 Lo D8/395
D514,915 S * 2/2006 Wang D8/72
D683,511 S * 5/2013 Fascitelli D32/61

OTHER PUBLICATIONS

U.S. Appl. No. 29/381,468, filed Dec. 20, 2010, Ediger et al.

* cited by examiner

Primary Examiner — Deanna L Pratt

Assistant Examiner — Natasha Vujcic

(74) *Attorney, Agent, or Firm* — David H. Milligan

(57) **CLAIM**

The ornamental design for a garment clamp for steamer use, as shown and described.

DESCRIPTION

FIG. 1 is a rear right perspective view of the garment clamp for steamer use of FIG. 1;

FIG. 2 is a top right perspective view of the garment clamp for steamer use of FIG. 1;

FIG. 3 is a left elevation view of the garment clamp for steamer use of FIG. 1;

FIG. 4 is a right elevation view of the garment clamp for steamer use of FIG. 1;

FIG. 5 is a rear elevation view of the garment clamp for steamer use of FIG. 1;

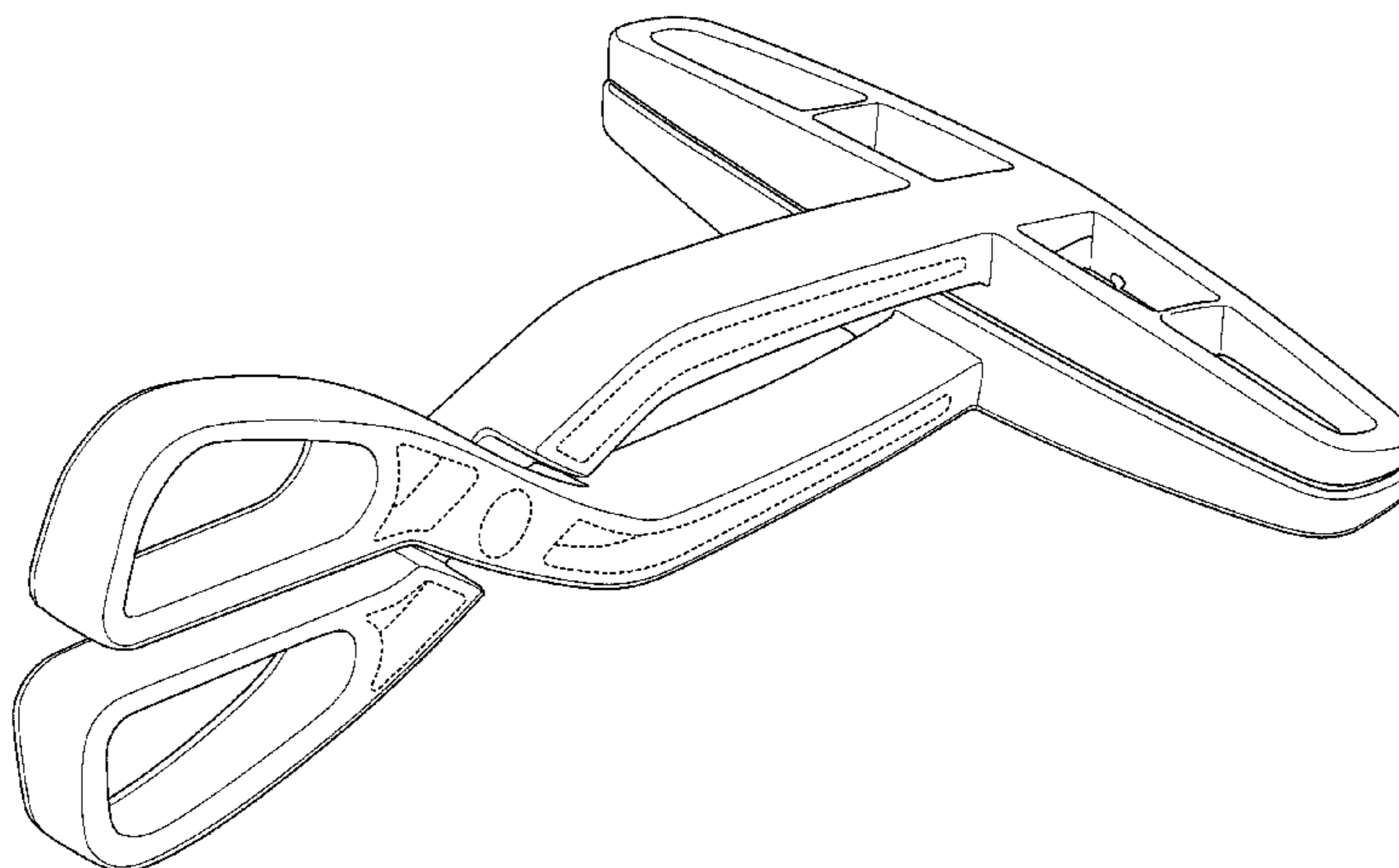
FIG. 6 is a front elevation view of the garment clamp for steamer use of FIG. 1;

FIG. 7 is a top elevation view of the garment clamp for steamer use of FIG. 1; and,

FIG. 8 is a bottom elevation view of the garment clamp for steamer use of FIG. 1.

The broken lines in the drawings illustrate portions of the garment clamp for steamer use that form no part of the claimed design.

1 Claim, 8 Drawing Sheets



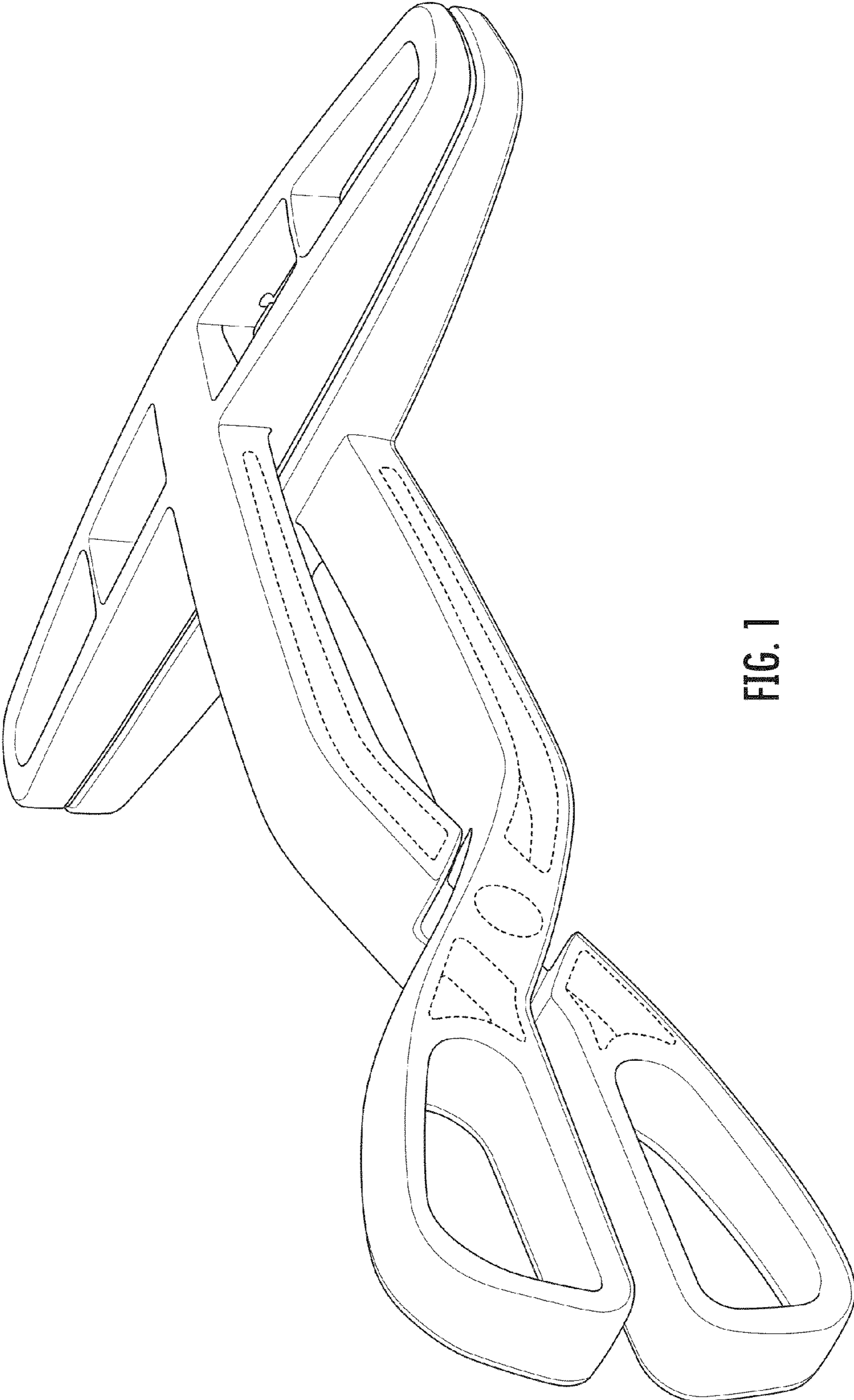


FIG. 1

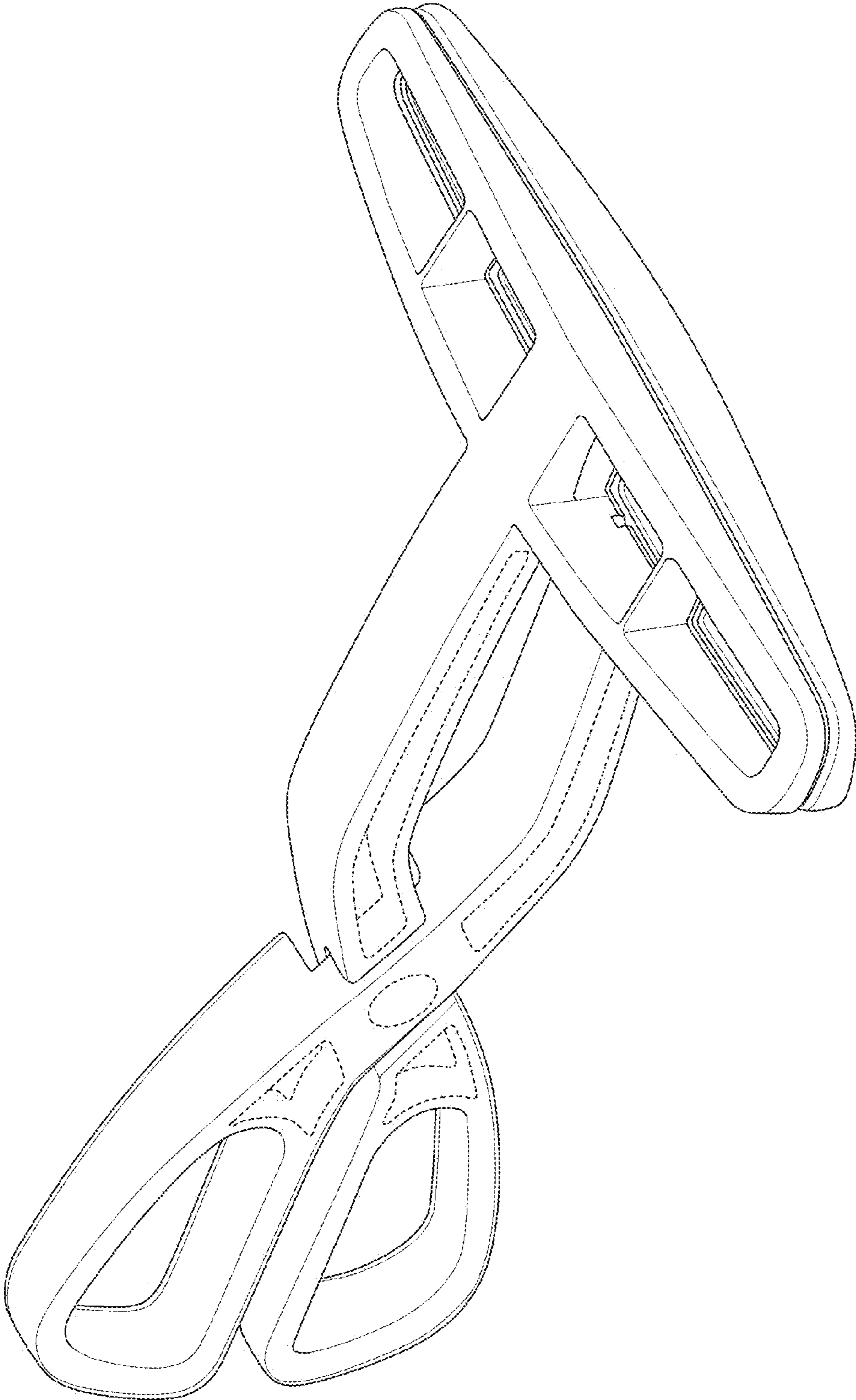


FIG. 2

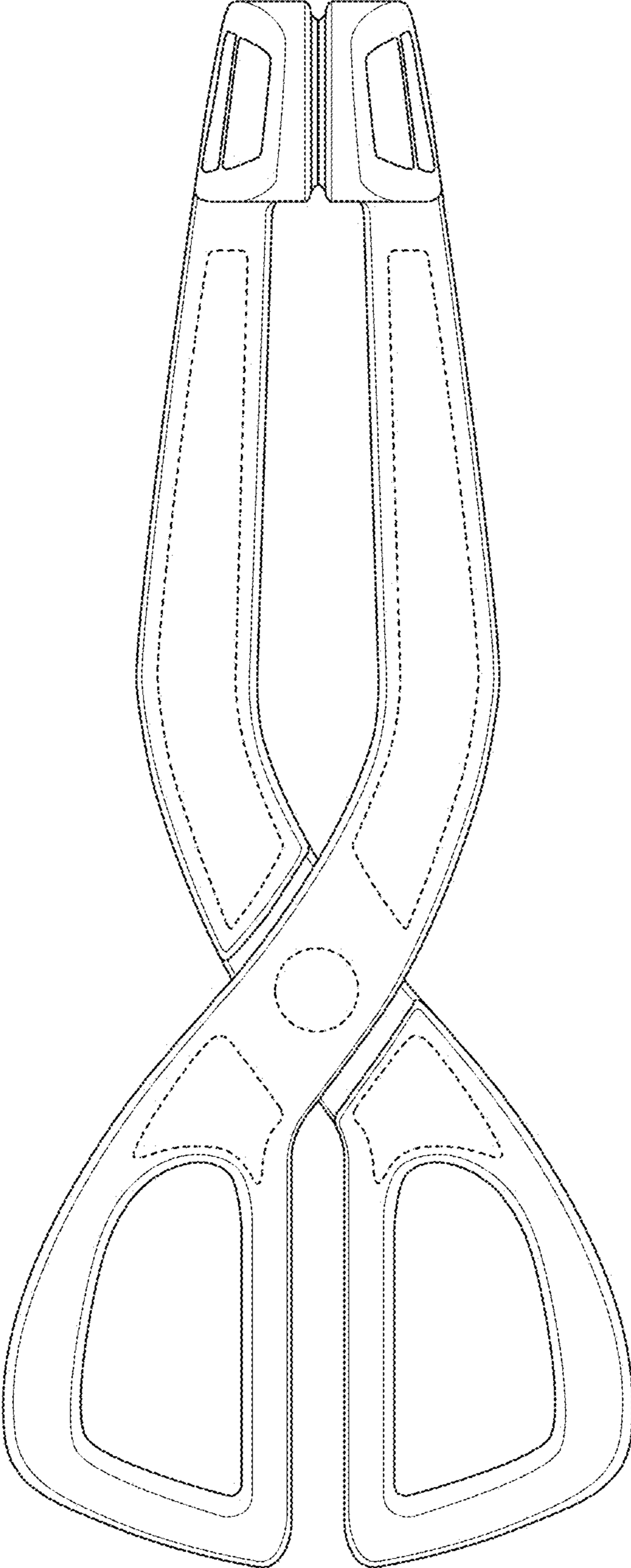


FIG. 3

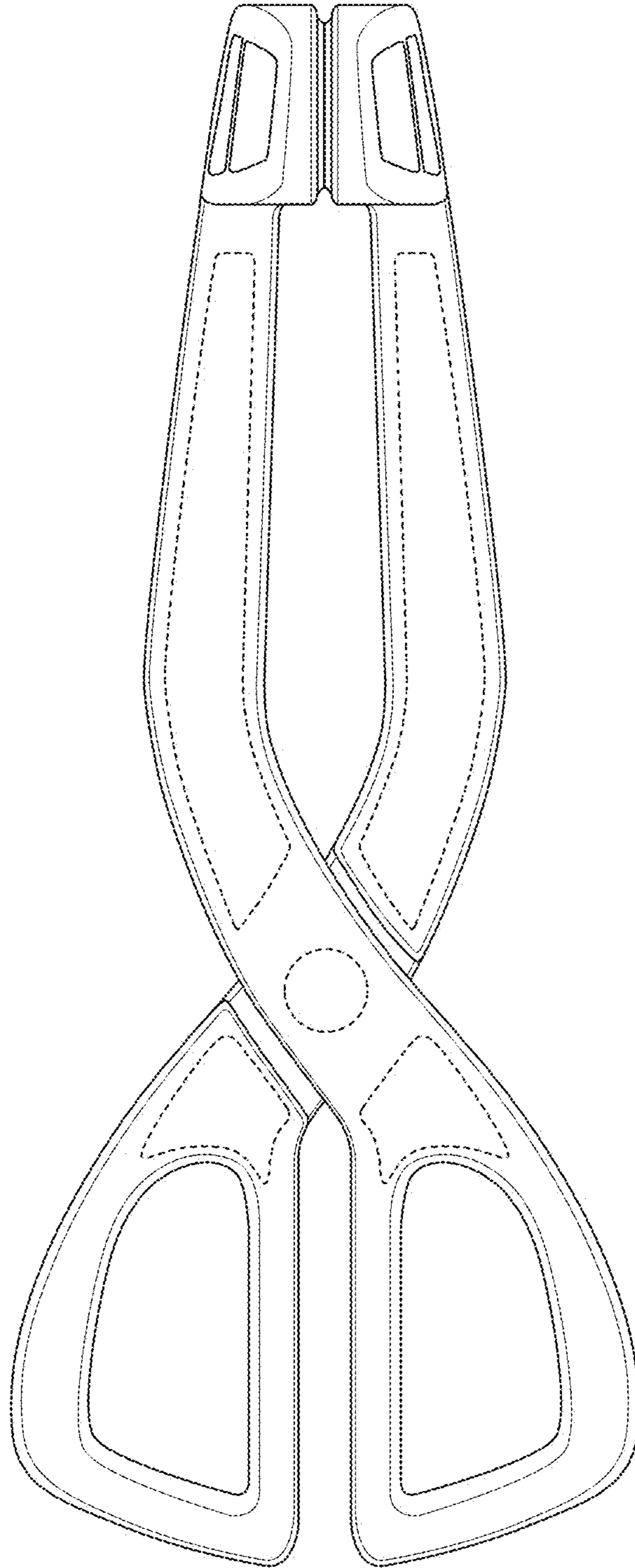


FIG. 4

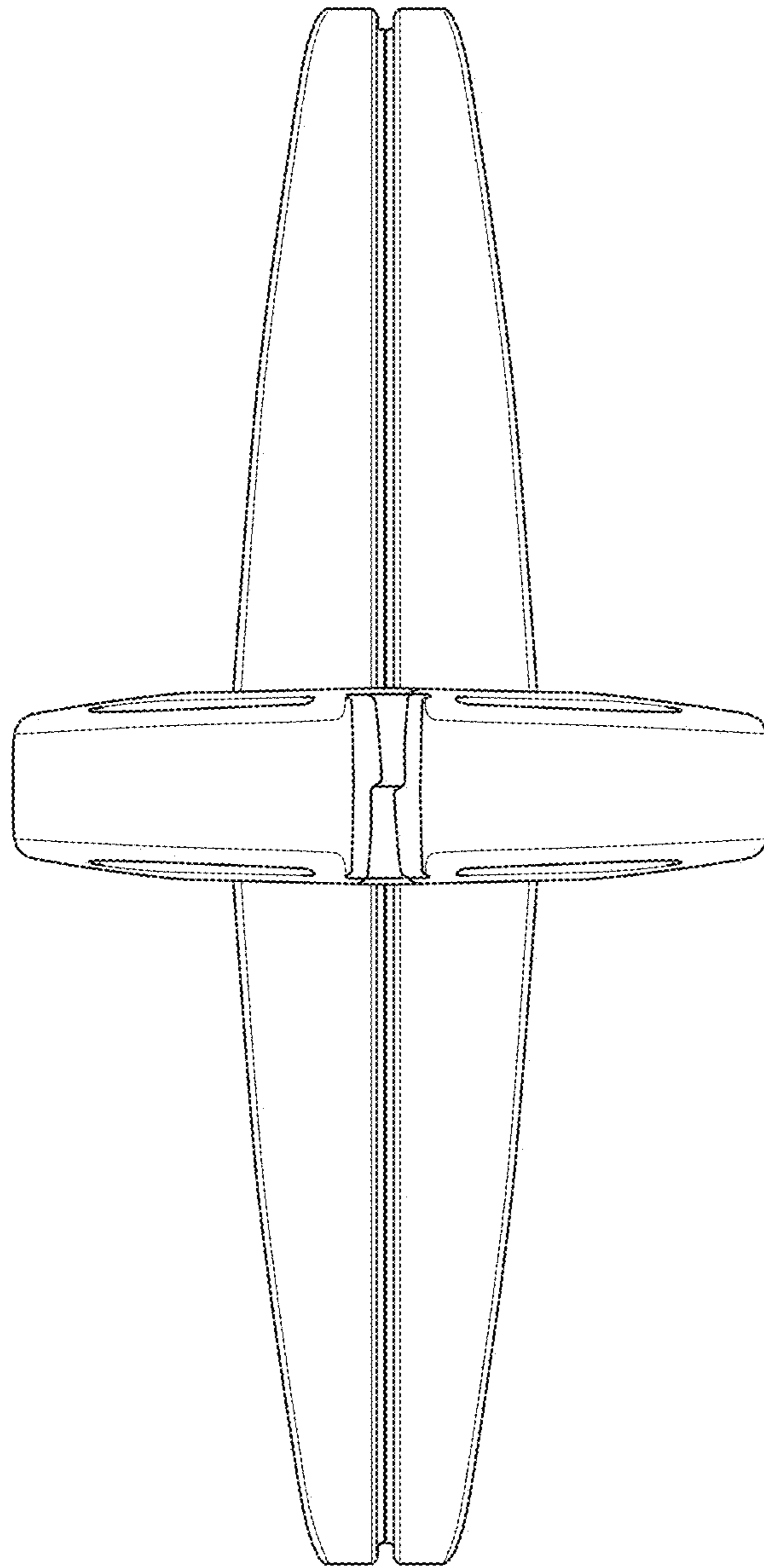


FIG. 5

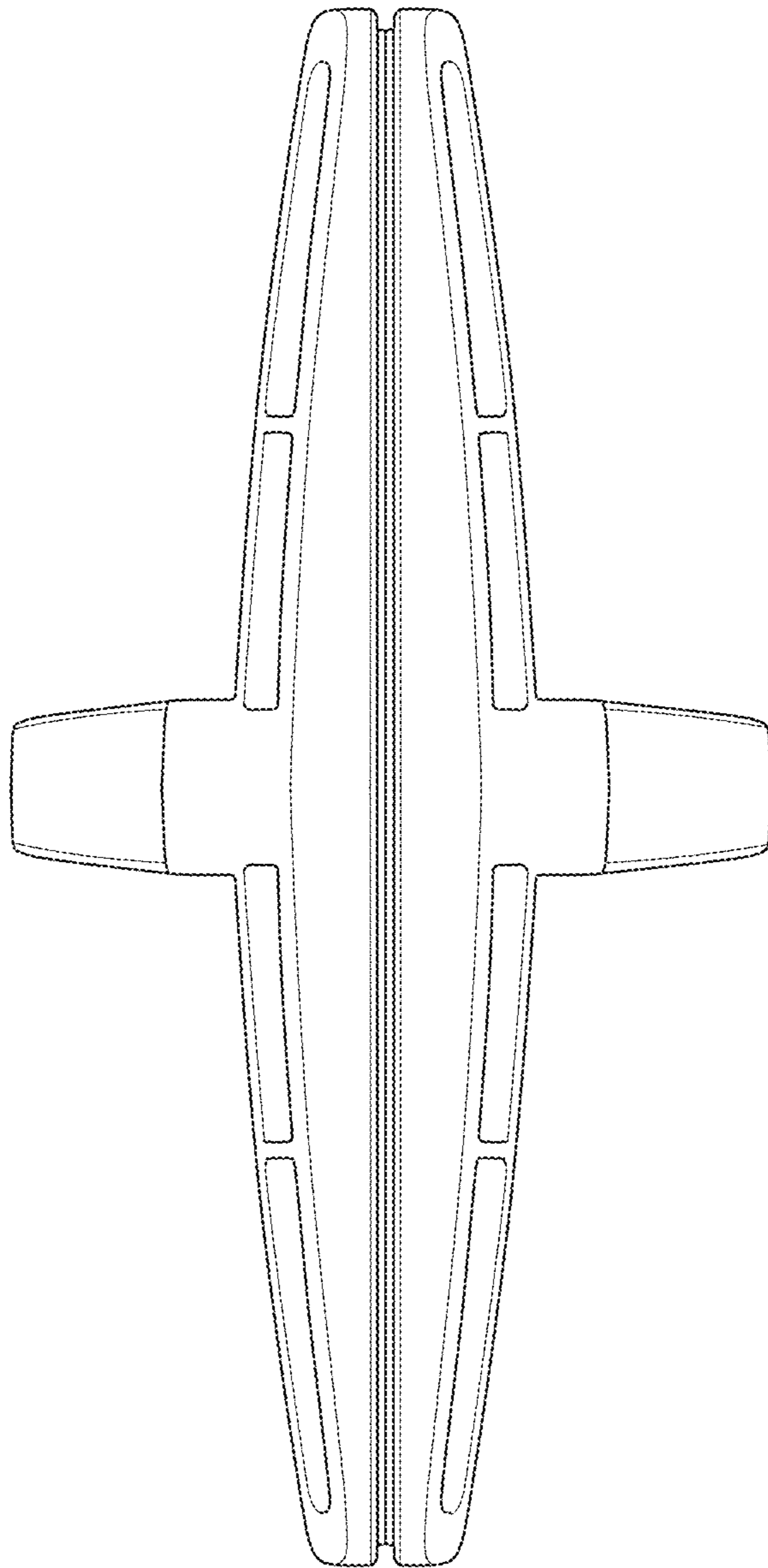


FIG. 6

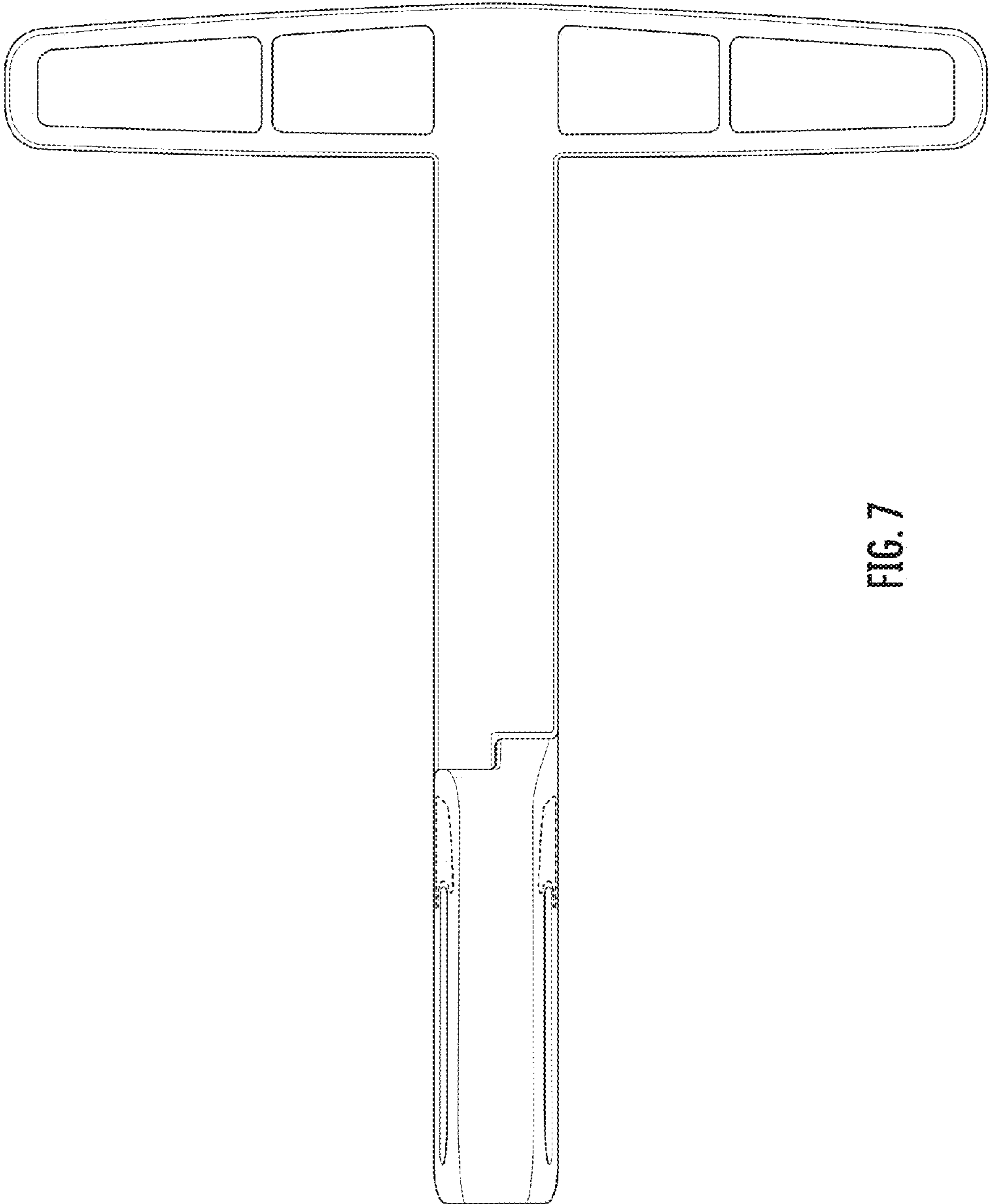


FIG. 7

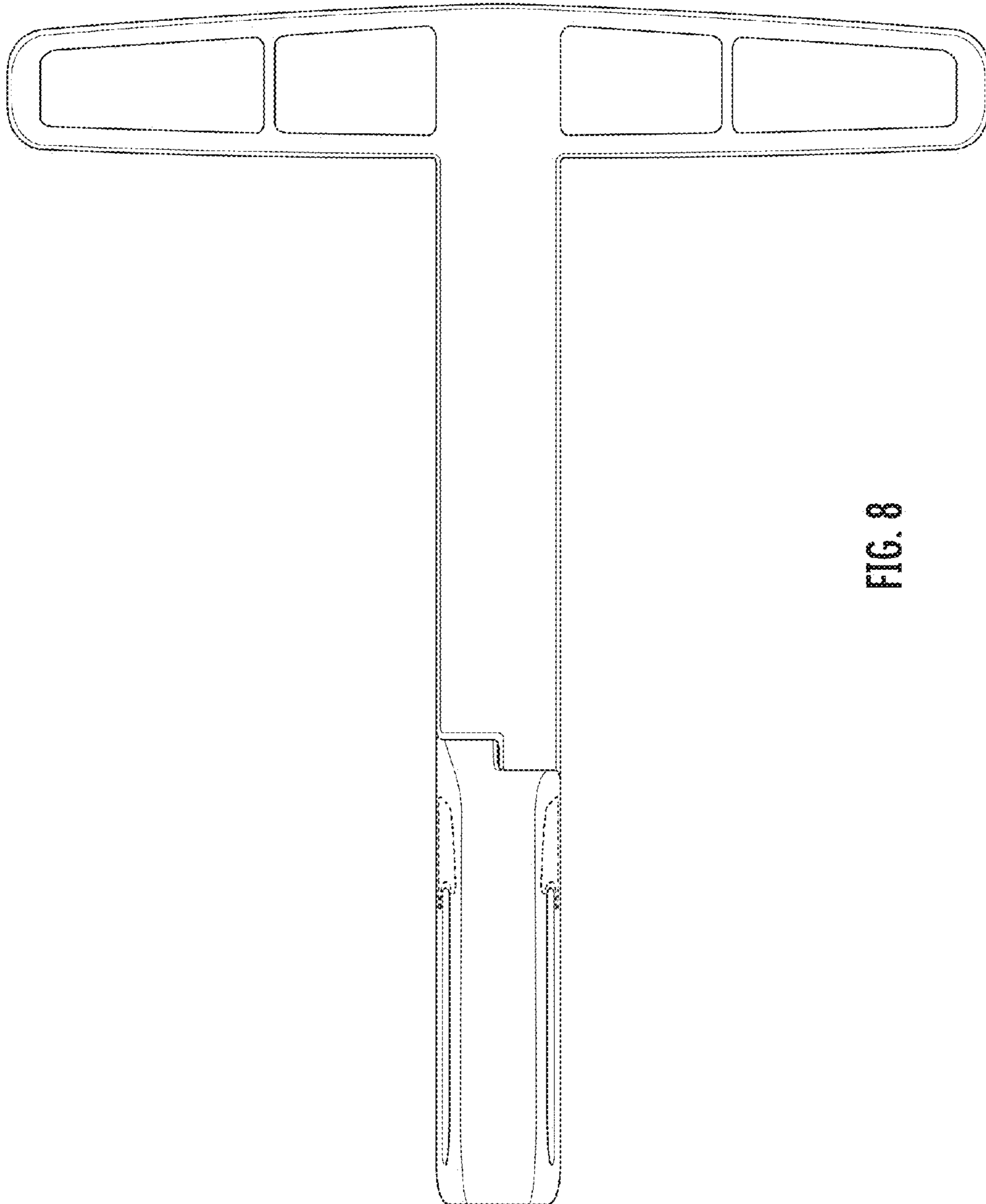


FIG. 8