



US00D706006S

(12) **United States Design Patent**
Sabounjian

(10) **Patent No.:** **US D706,006 S**

(45) **Date of Patent:** **** May 27, 2014**

(54) **IRONING BOARD**

(71) Applicant: **Pro-Mart Industries, Inc.**, Irvine, CA (US)

(72) Inventor: **Azad Sabounjian**, Irvine, CA (US)

(73) Assignee: **Pro-Mart Industries, Inc.**, Irvine, CA (US)

(**) Term: **14 Years**

(21) Appl. No.: **29/446,917**

(22) Filed: **Feb. 28, 2013**

(51) **LOC (10) Cl.** **15-05**

(52) **U.S. Cl.**
USPC **D32/31; D32/66**

(58) **Field of Classification Search**
USPC D32/6, 9, 12, 31, 35, 58, 66, 67;
38/103, 104, 106, 108, 111, 112, 137,
38/138, 141, 142; 108/11, 26, 29, 34, 59,
108/93, 96, 99, 119, 129

See application file for complete search history.

(56) **References Cited**

U.S. PATENT DOCUMENTS

1,063,685	A	6/1913	Hoffine	
1,162,778	A	12/1915	Hoffine	
1,871,813	A	8/1931	McLain	
2,333,516	A	11/1943	Brusilowsky	
2,754,603	A	7/1956	Williams	
2,766,537	A *	10/1956	Pruitt	38/103

D203,219	S *	12/1965	Munson	D32/66
5,433,034	A *	7/1995	Bernstein	38/103
5,572,811	A	11/1996	Lehrman		
6,014,827	A *	1/2000	Lehrman	38/104
6,834,450	B2 *	12/2004	Gross et al.	38/137
D520,207	S *	5/2006	Gross et al.	D32/66
D546,515	S *	7/2007	Wicky et al.	D32/66
D546,516	S *	7/2007	Henderson	D32/66
D674,160	S *	1/2013	Cocksedge	D32/66
2010/0242317	A1 *	9/2010	Trowsdale et al.	38/103
2013/0312297	A1 *	11/2013	Ducruet et al.	38/103

* cited by examiner

Primary Examiner — Deanna L Pratt

Assistant Examiner — Natasha Vujcic

(74) *Attorney, Agent, or Firm* — Stetina Brunda Garred & Brucker; Lowell Anderson

(57) **CLAIM**

The ornamental design for an ironing board, as shown and described.

DESCRIPTION

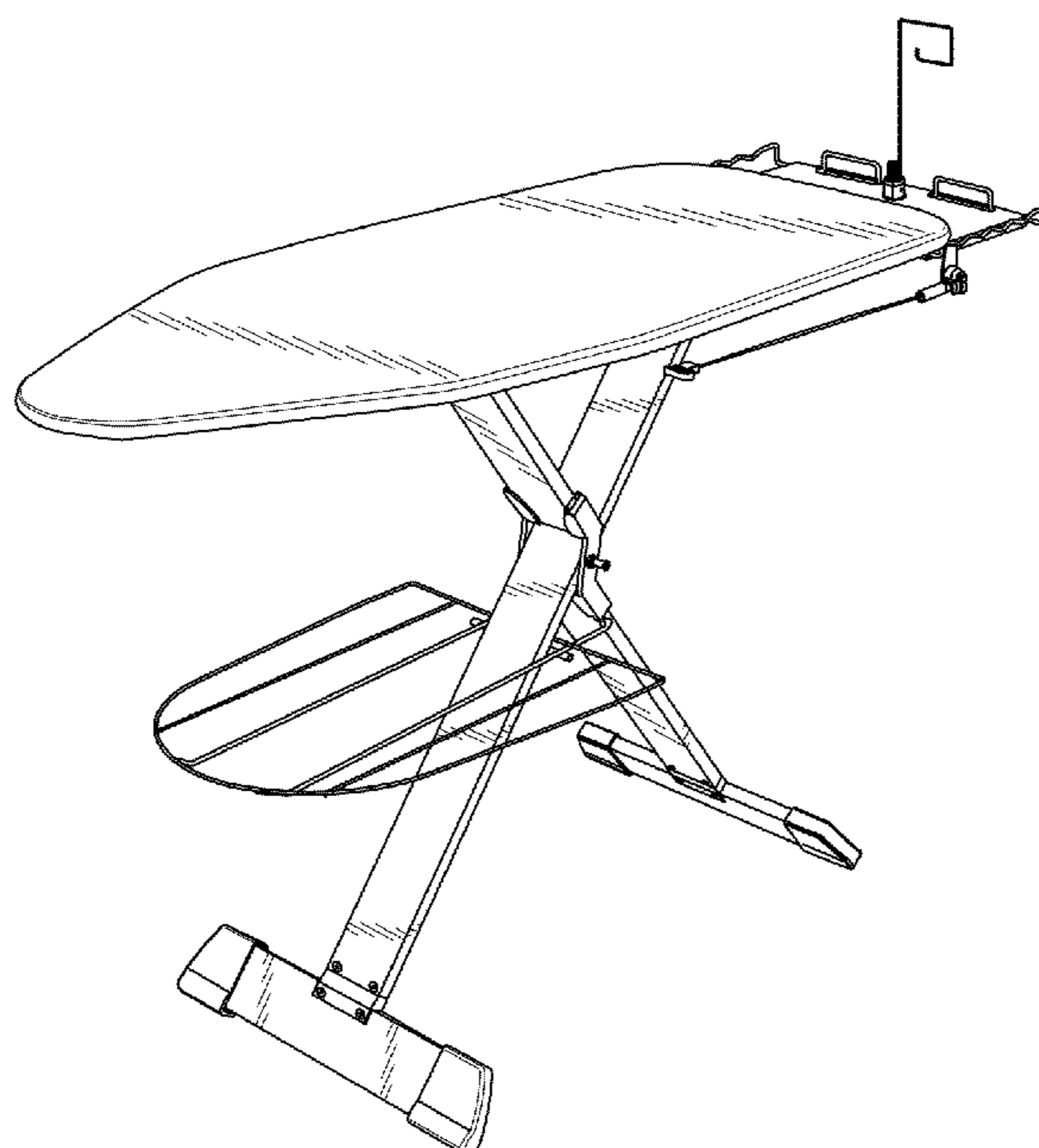
FIG. 1 is a top perspective view of the ironing board of this invention in an expanded configuration;

FIG. 2 is a bottom perspective view of the ironing board of FIG. 1;

FIG. 3 is a top perspective view of the ironing board of FIG. 1 in a collapsed configuration; and,

FIG. 4 is a bottom perspective view of the ironing board of FIGS. 1 and 3 in a collapsed configuration.

1 Claim, 2 Drawing Sheets



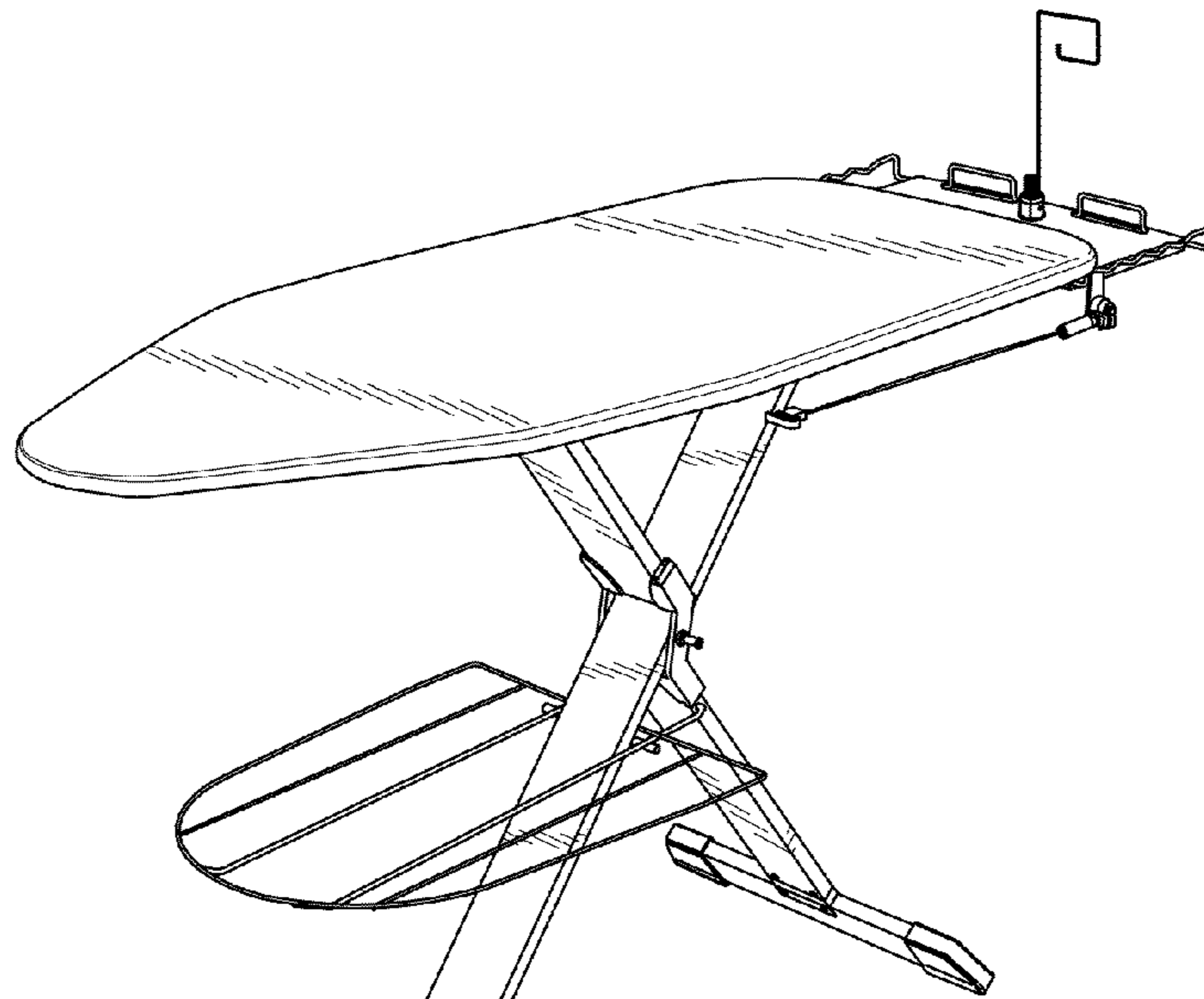


Fig. 1

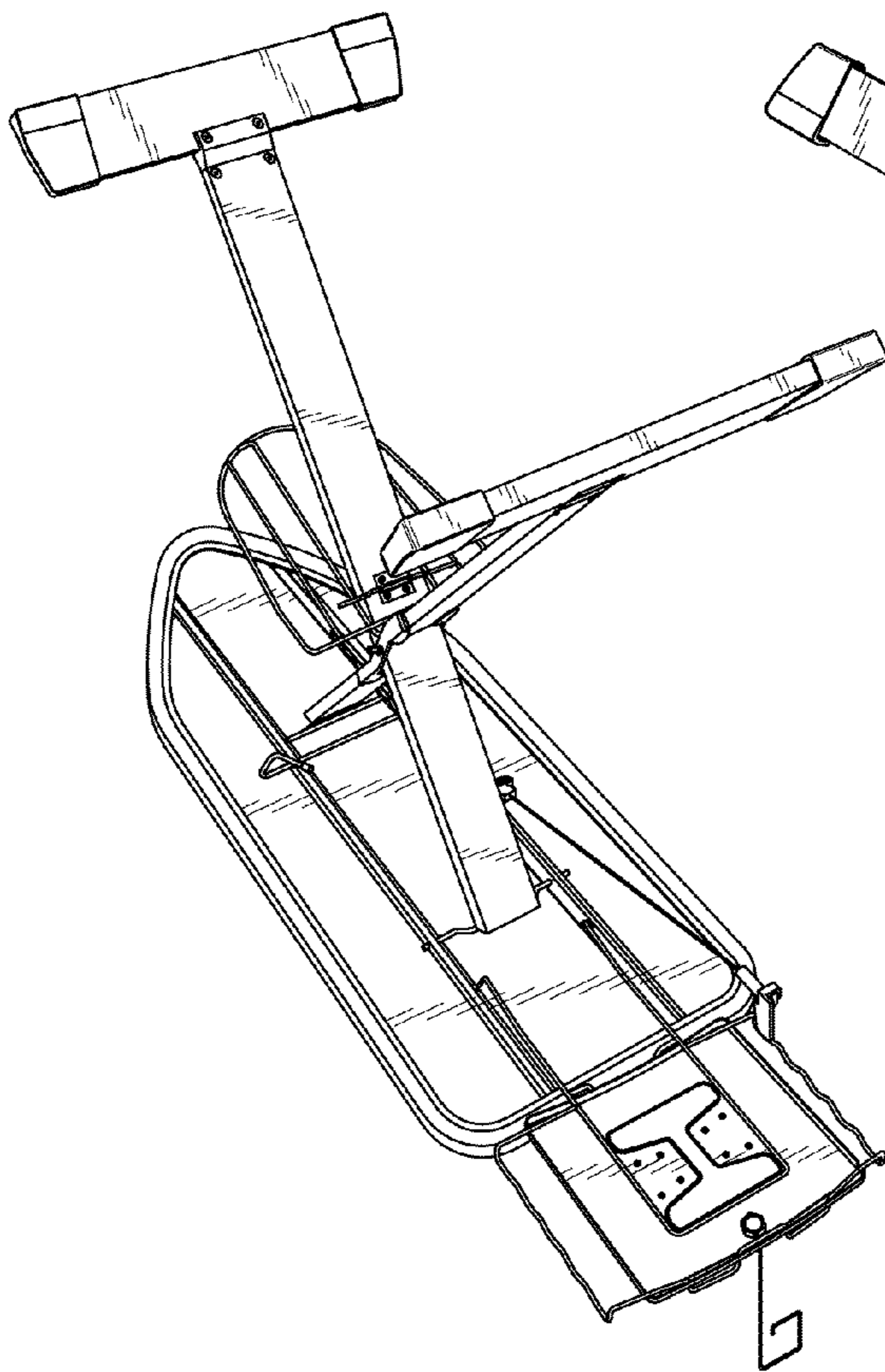


Fig. 2

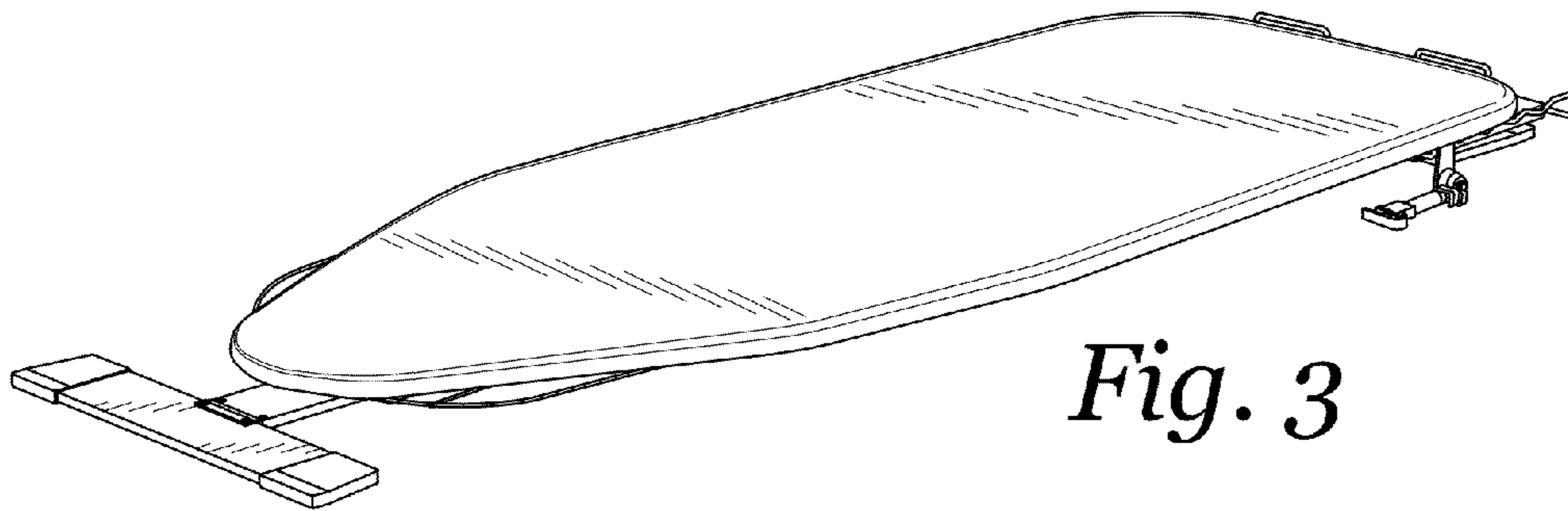


Fig. 3

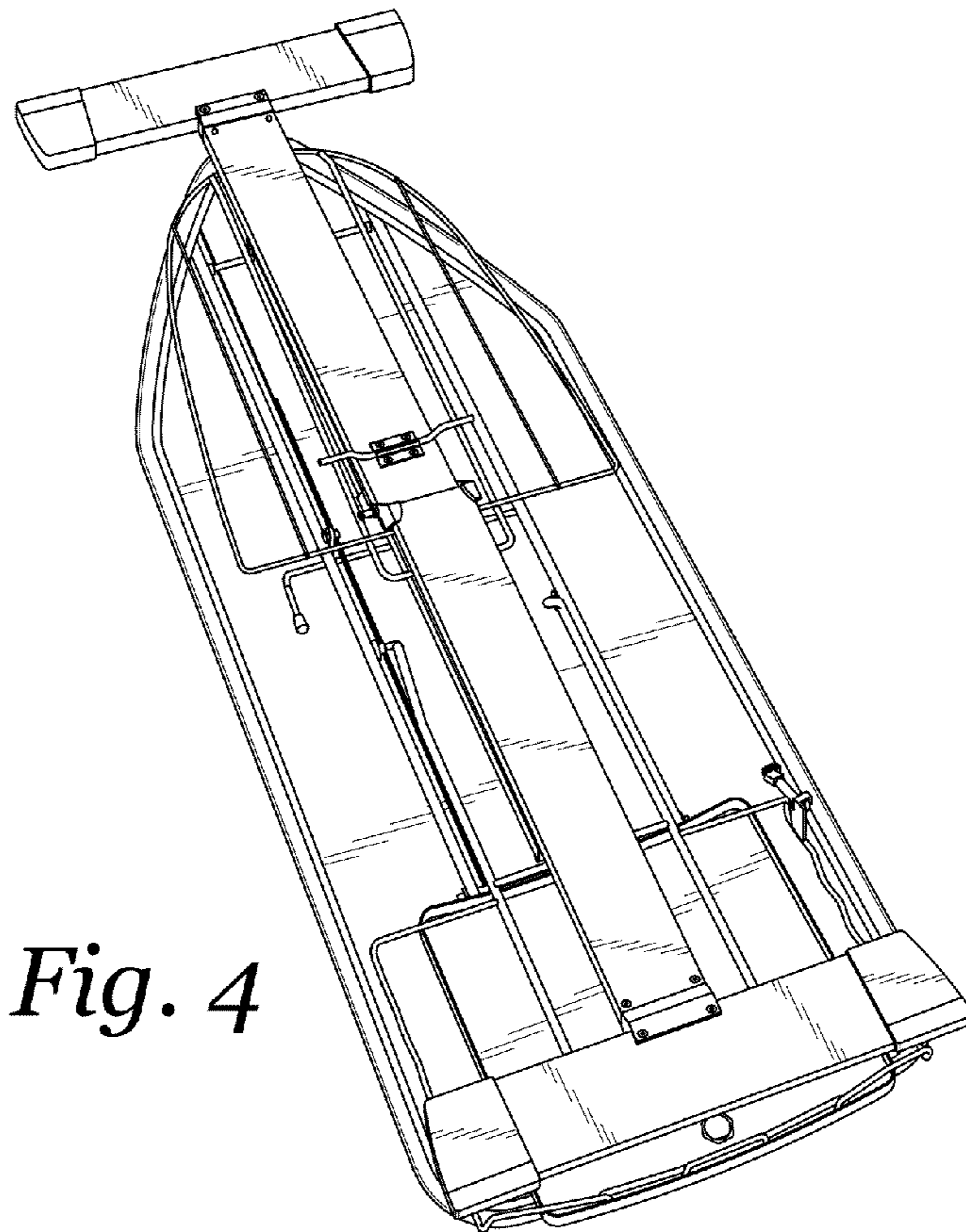


Fig. 4