



US00D706002S

(12) **United States Design Patent**
Aulwes et al.

(10) **Patent No.:** **US D706,002 S**
(45) **Date of Patent:** **** May 27, 2014**

(54) **EQUINE TOOL HANDLE**
(75) Inventors: **Chad Aulwes**, Sterling, IL (US); **Helen Cox**, Sterling, IL (US)
(73) Assignee: **Wahl Clipper Corporation**, Sterling, IL (US)

D479,050 S * 9/2003 Hay D4/129
D482,874 S * 12/2003 Dotterman D4/138
D495,498 S * 9/2004 Berti D4/138
D506,040 S * 6/2005 Swyst et al. D30/158
D509,033 S * 8/2005 Dotterman et al. D32/51
7,458,127 B2 * 12/2008 Bruno et al. 15/235.4
D598,203 S * 8/2009 McNeil et al. D4/138
D629,209 S * 12/2010 Taggart et al. D4/138
D630,439 S * 1/2011 Raven D4/129

(**) Term: **14 Years**

* cited by examiner

(21) Appl. No.: **29/409,430**

Primary Examiner — Caron D Veynar

(22) Filed: **Dec. 22, 2011**

Assistant Examiner — Martie K Holtje

(51) **LOC (10) Cl.** **30-99**

(74) *Attorney, Agent, or Firm* — Greer, Burns & Crain, Ltd.

(52) **U.S. Cl.**
USPC **D30/158**; D4/138

(57) **CLAIM**

The ornamental design for an equine tool handle, as shown and described.

(58) **Field of Classification Search**
USPC D30/158, 199; D4/119, 122, 129, 137, D4/138, 199; D7/393, 395; D8/83, 94, D8/107; D24/133; D28/85; 15/104.002, 15/105, 230.11, 235.4, 167.1; D32/35, 40, D32/41, 42, 45, 51, 52

DESCRIPTION

See application file for complete search history.

FIG. 1 is a top perspective view of an equine tool handle showing our new design;
FIG. 2 is a top plan view thereof;
FIG. 3 is a bottom plan view thereof;
FIG. 4 is a left side elevational view thereof;
FIG. 5 is a right side elevational view thereof;
FIG. 6 is a front elevational view thereof; and,
FIG. 7 is a rear elevational view thereof.

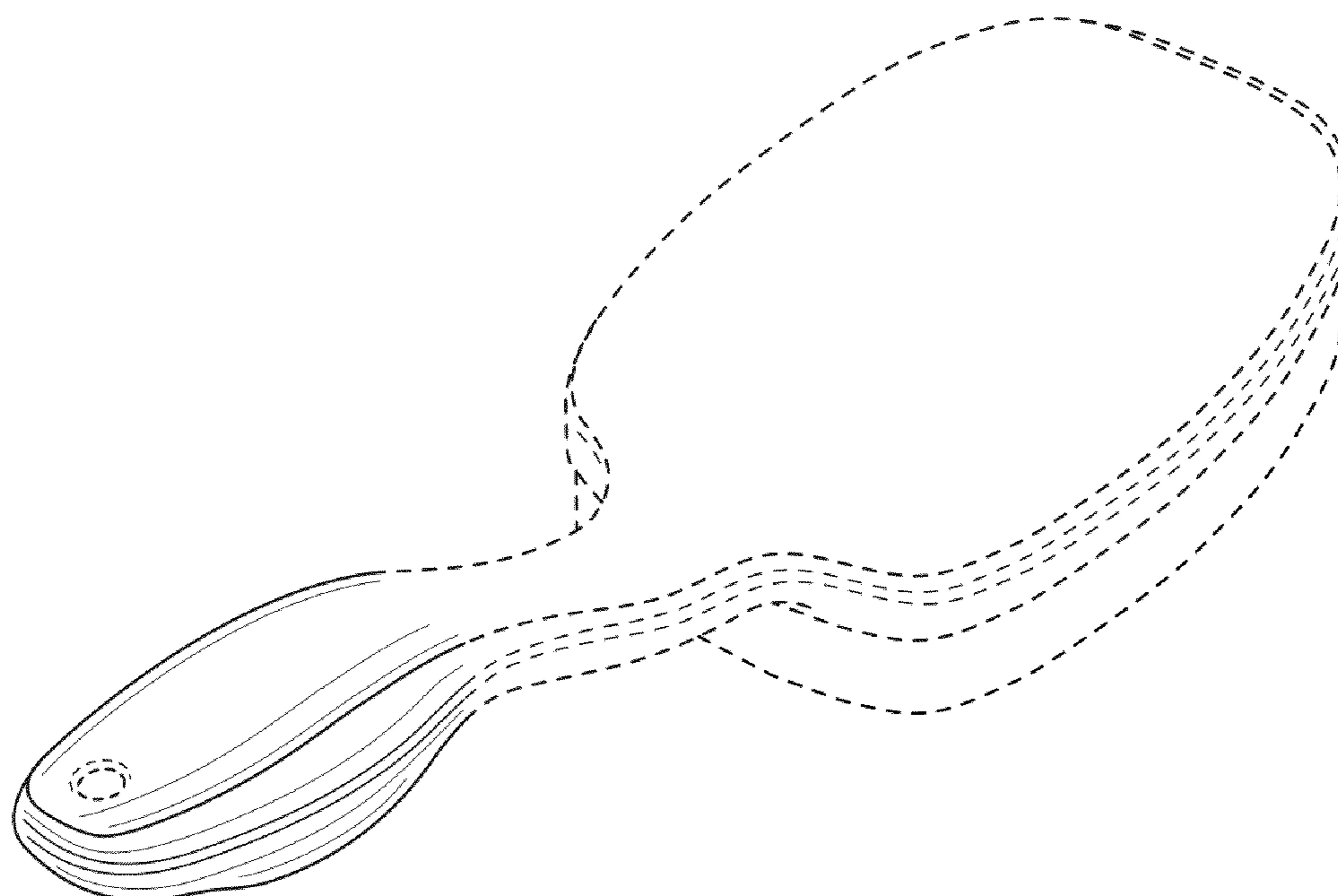
The structural elements depicted in broken lines has been shown for the purpose of illustrating portions of the equine tool handle that form no part of the claimed design.

(56) **References Cited**

U.S. PATENT DOCUMENTS

D180,780 S * 8/1957 Halburstadt D4/138
D273,636 S * 5/1984 Chu D4/138
D374,795 S * 10/1996 Lie D7/395
5,781,958 A * 7/1998 Meessmann et al. 15/167.1
6,065,188 A * 5/2000 Wold et al. 16/430
D439,056 S * 3/2001 Woodnorth et al. D4/138

1 Claim, 4 Drawing Sheets



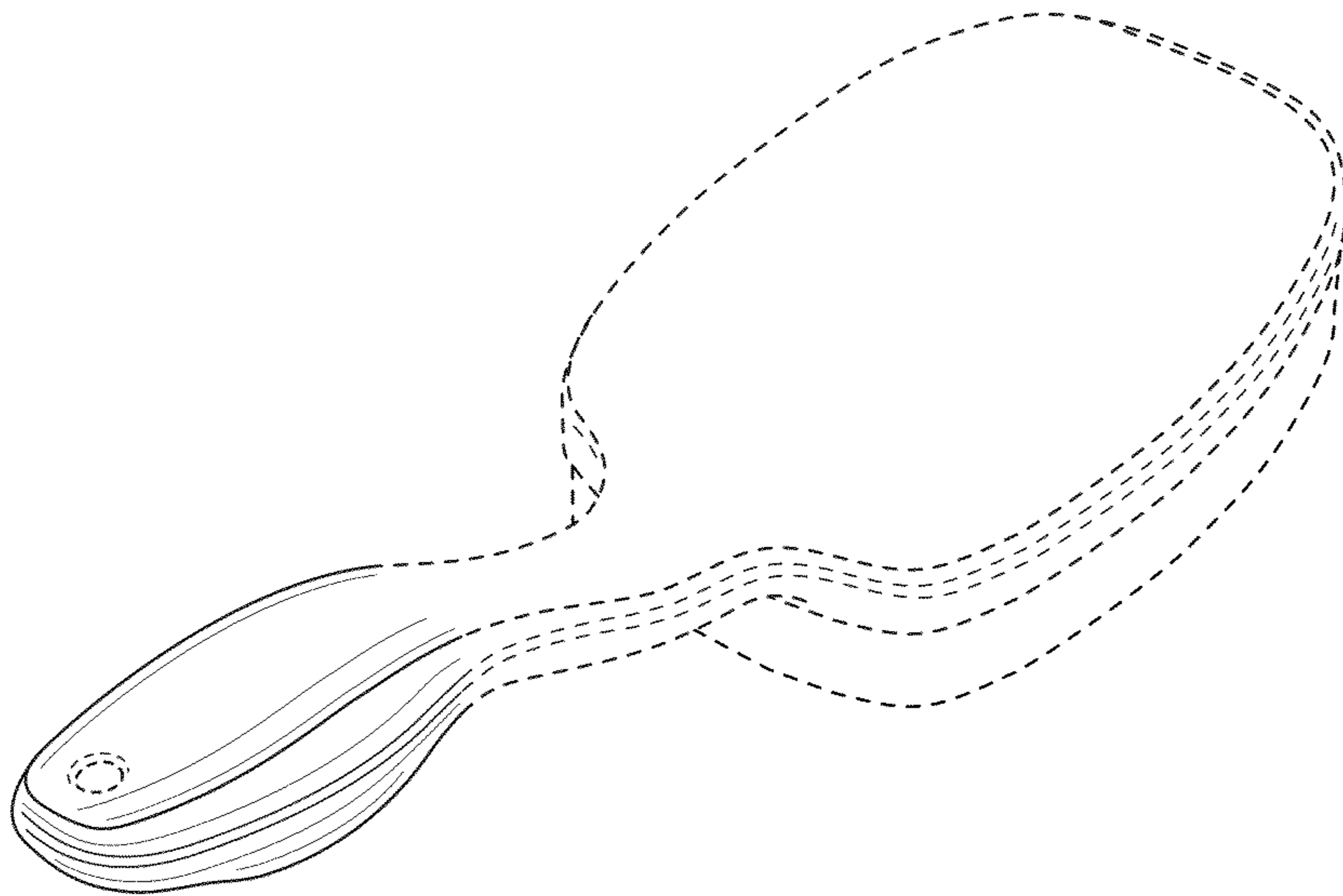


FIG. 1

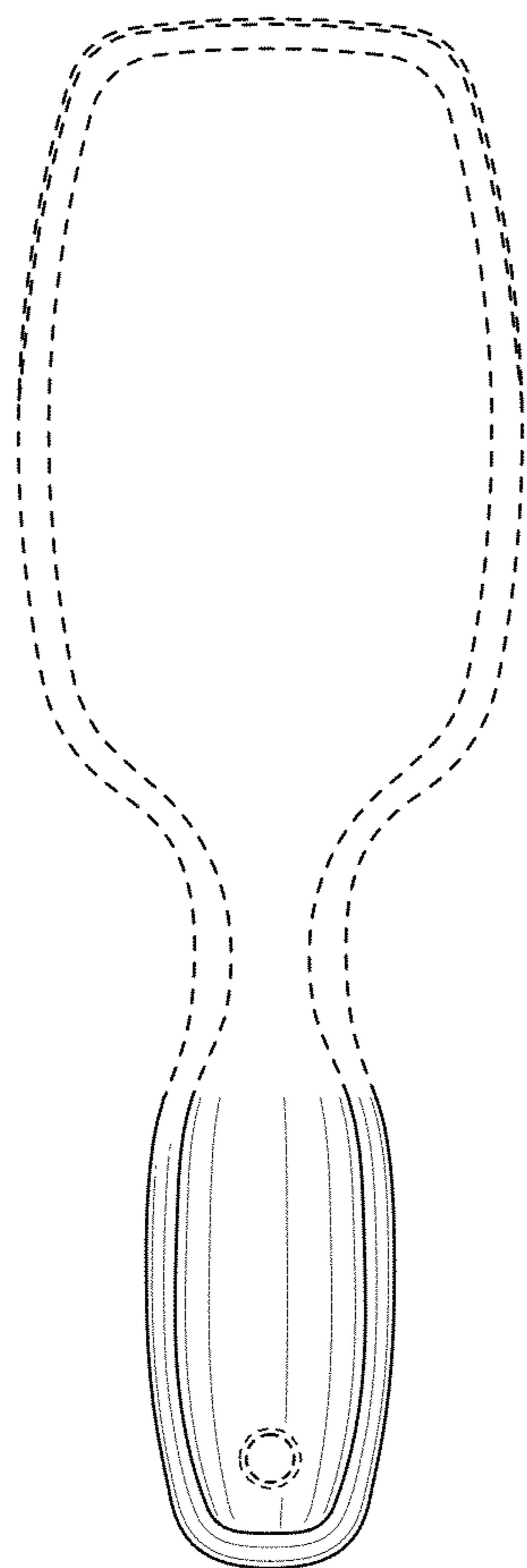


FIG. 2

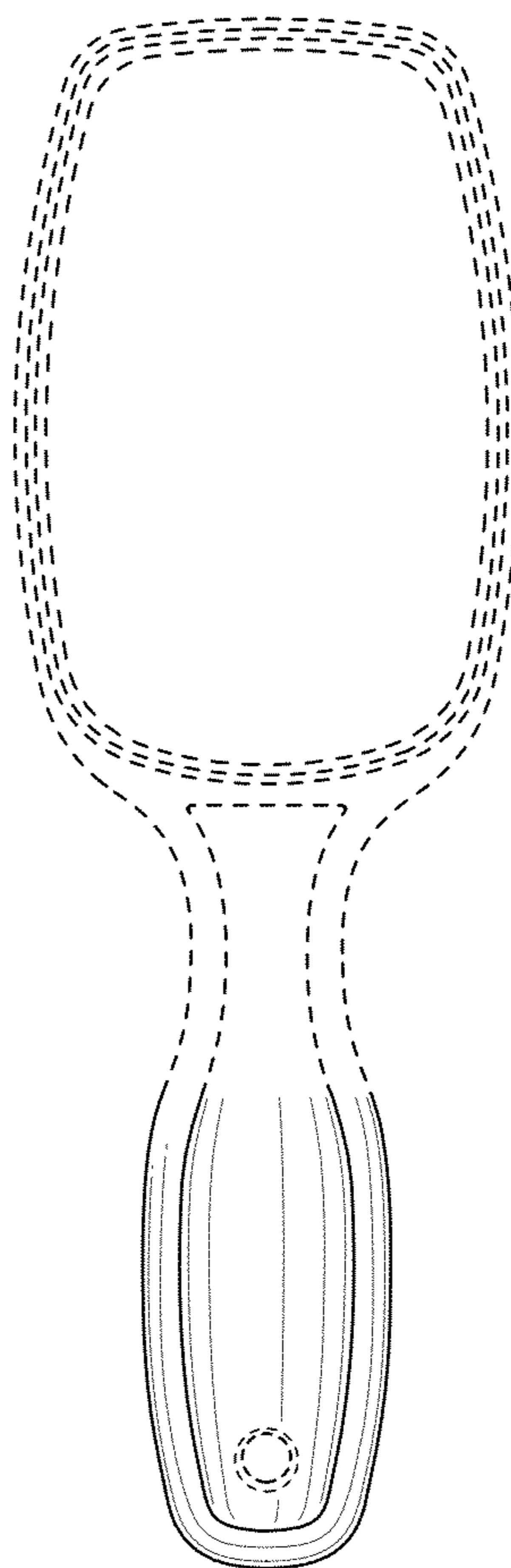


FIG. 3

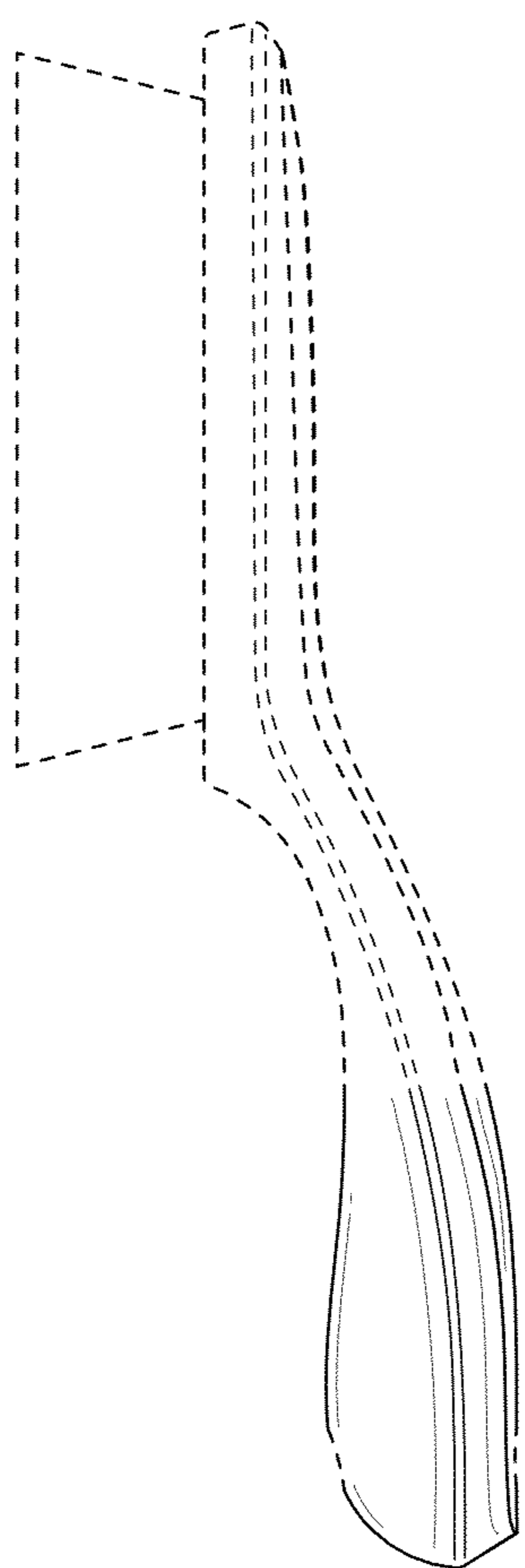


FIG. 4

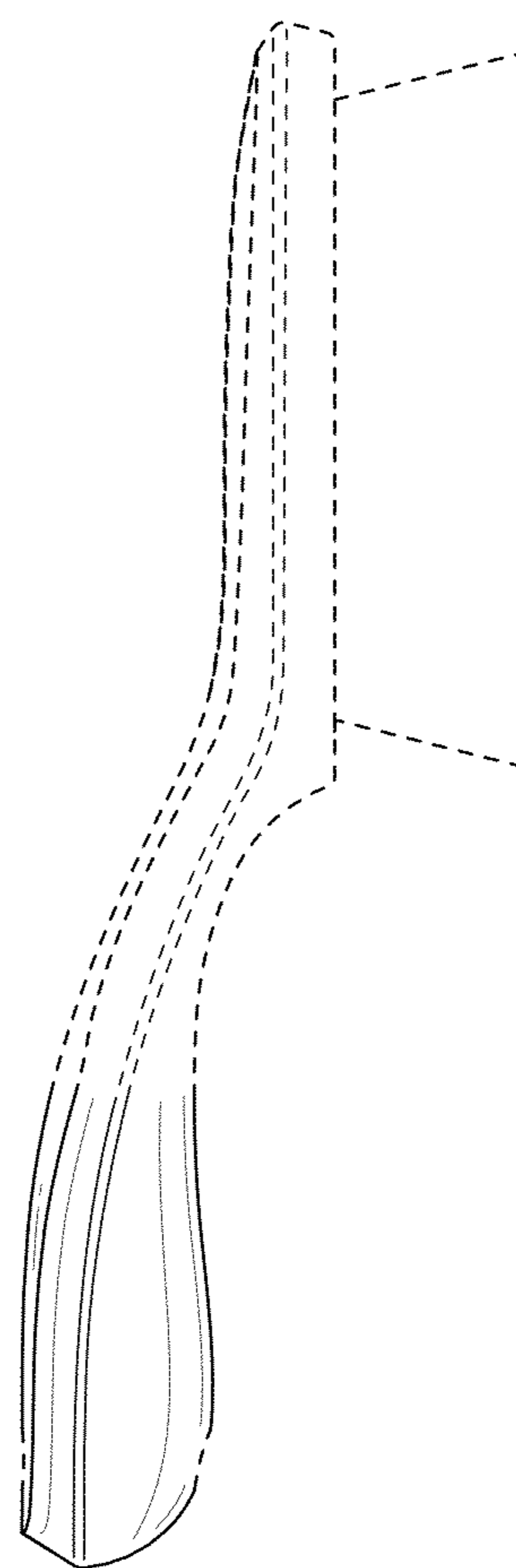


FIG. 5

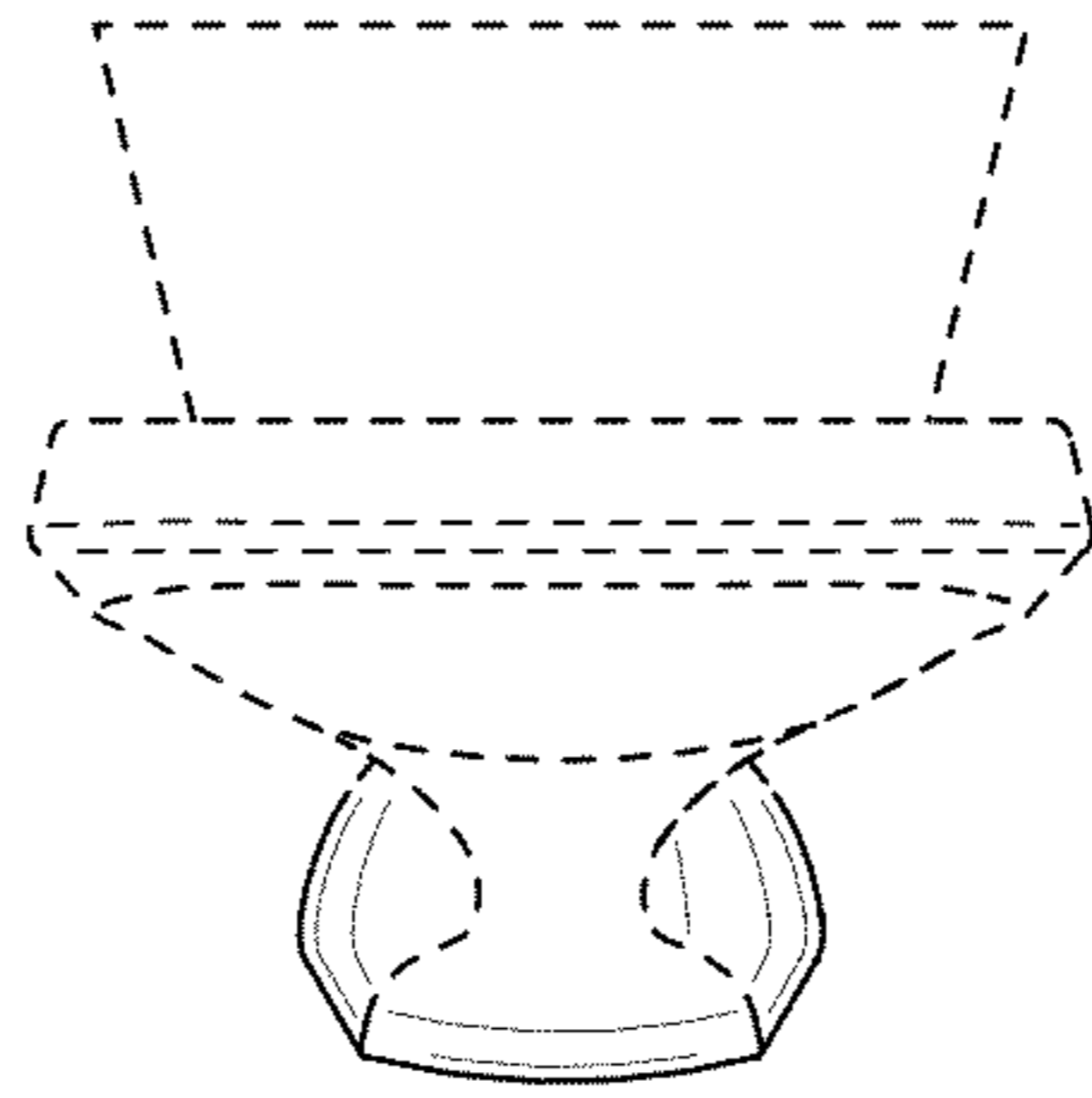


FIG. 6

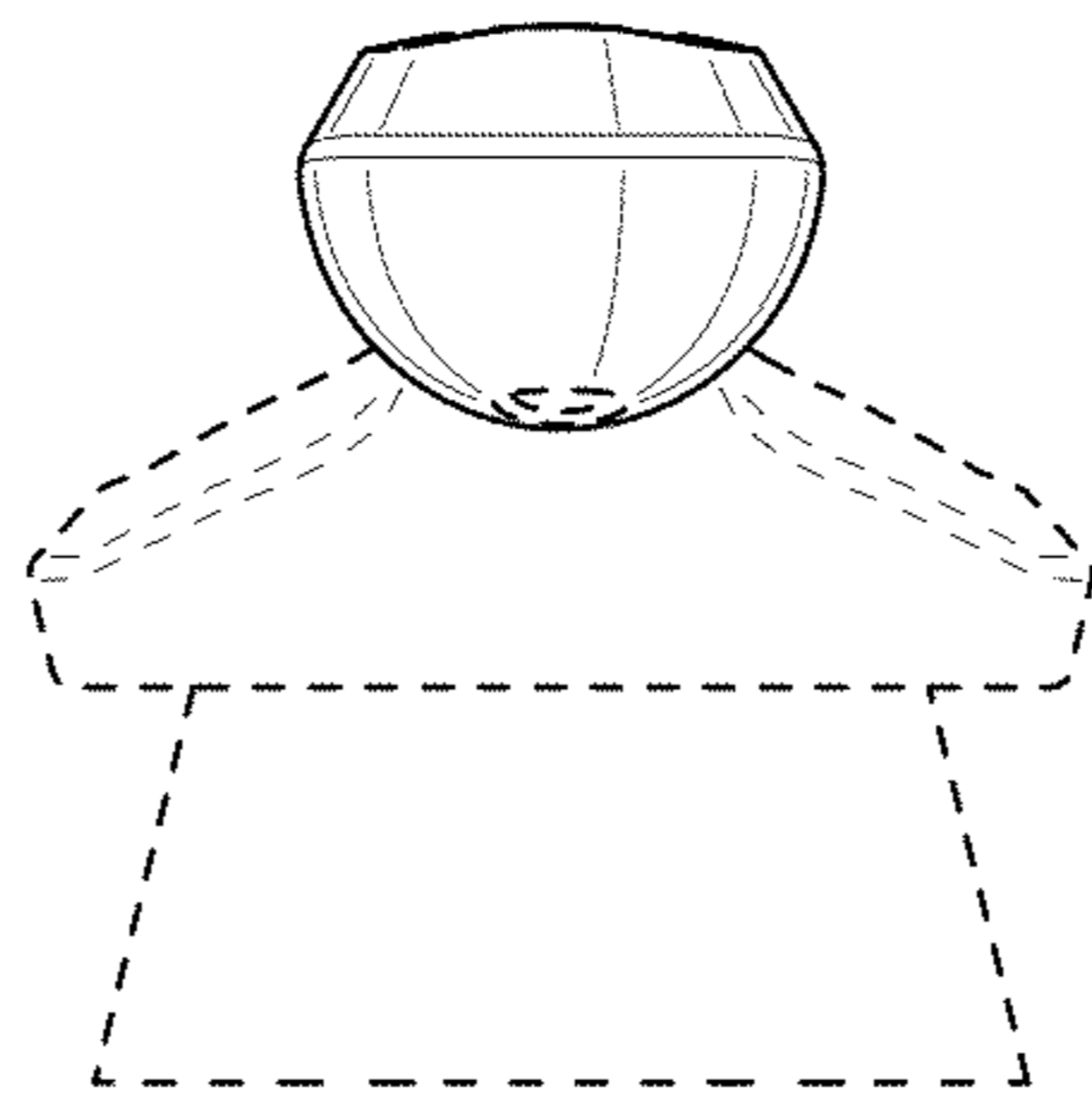


FIG. 7