



US00D705997S

(12) **United States Design Patent**
Gil Duarte Pereira

(10) **Patent No.:** **US D705,997 S**

(45) **Date of Patent:** **** May 27, 2014**

(54) **BIRD HOUSE**

(56) **References Cited**

(71) Applicant: **Maria da Conceição Gil Duarte Pereira**, Tortosendo (PT)

(72) Inventor: **Maria da Conceição Gil Duarte Pereira**, Tortosendo (PT)

(73) Assignee: **Joalpe Industria de Expositores S.A.**, Tortosendo (PT)

(**) Term: **14 Years**

(21) Appl. No.: **29/470,638**

(22) Filed: **Oct. 23, 2013**

(30) **Foreign Application Priority Data**

Apr. 23, 2013 (EM) 002225268-0001

(51) **LOC (10) Cl.** **30-02**

(52) **U.S. Cl.**
USPC **D30/110**

(58) **Field of Classification Search**
USPC D30/110, 111, 124, 126, 118; 119/28.5,
119/329, 335, 336, 347, 468, 482, 487, 537

See application file for complete search history.

U.S. PATENT DOCUMENTS

D194,750 S *	3/1963	Dahmas	D30/110
3,182,634 A *	5/1965	Myaida et al.	119/428
3,195,507 A *	7/1965	Miller	119/431
D221,391 S *	8/1971	Littlejohn	D30/111
D243,464 S *	2/1977	Greene	D30/110
4,167,917 A *	9/1979	Noll	119/429
4,442,793 A *	4/1984	Overpeck et al.	119/432
4,928,631 A *	5/1990	Smith	119/428
D335,369 S *	5/1993	Gravelle	D30/111
D358,906 S *	5/1995	Myers	D30/110
D358,907 S *	5/1995	Spivey	D30/110
5,493,997 A *	2/1996	Ritchey	119/428
6,397,781 B1 *	6/2002	Bellington	119/431
6,460,485 B1 *	10/2002	Burg	119/431
D650,534 S *	12/2011	Bormann	D30/110

* cited by examiner

Primary Examiner — Cathy A MacCormac

(74) *Attorney, Agent, or Firm* — John P. White; Cooper & Dunham LLP

(57) **CLAIM**

I claim the ornamental design for bird house, as shown and described.

DESCRIPTION

FIG. 1 is a front and left side of the bird house.
FIG. 2 is a rear and left side view thereof.
FIG. 3 is a top, front and right side view thereof; and,
FIG. 4 is a top, rear and right side view thereof.

1 Claim, 4 Drawing Sheets

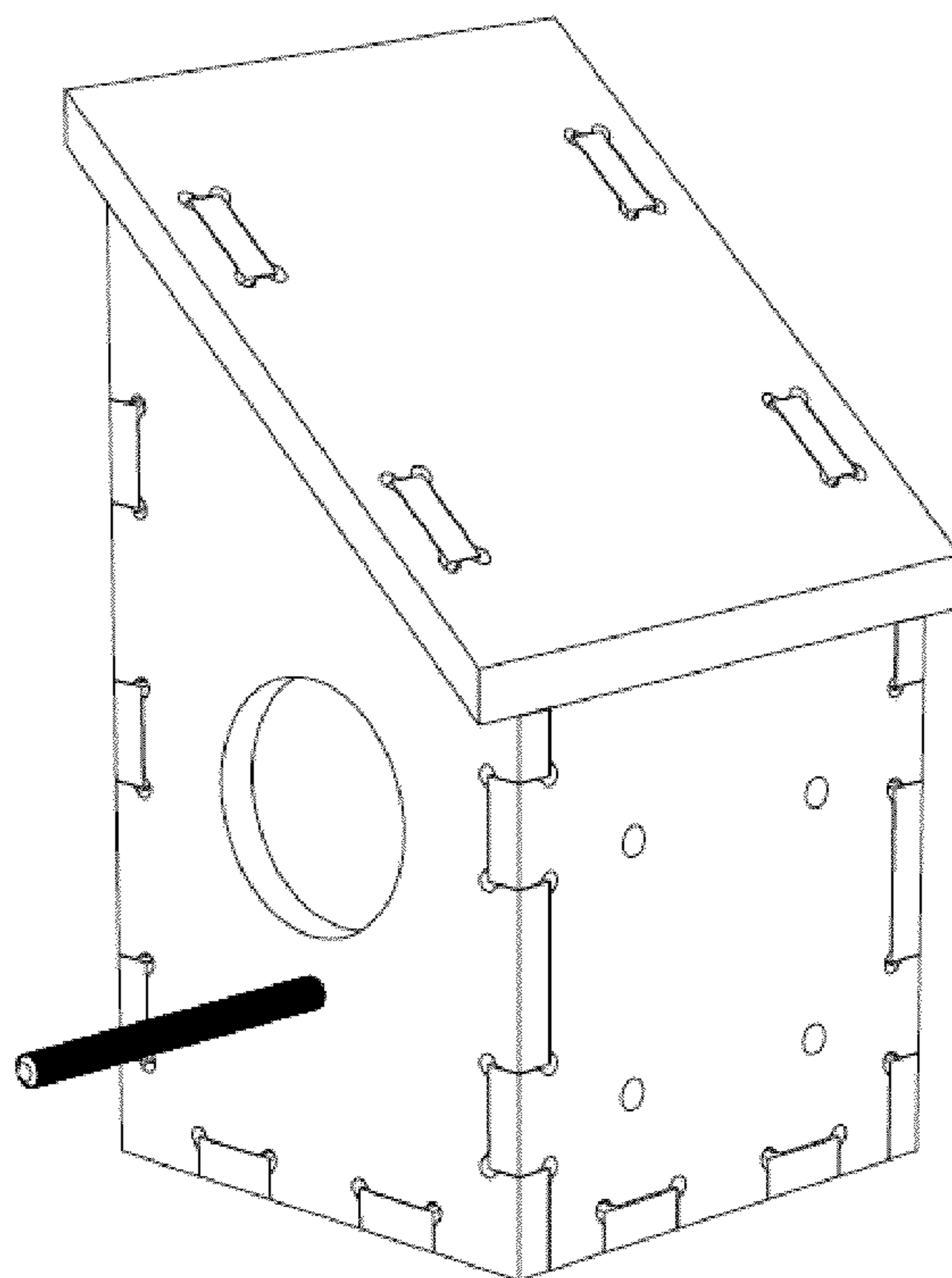


Figure 1

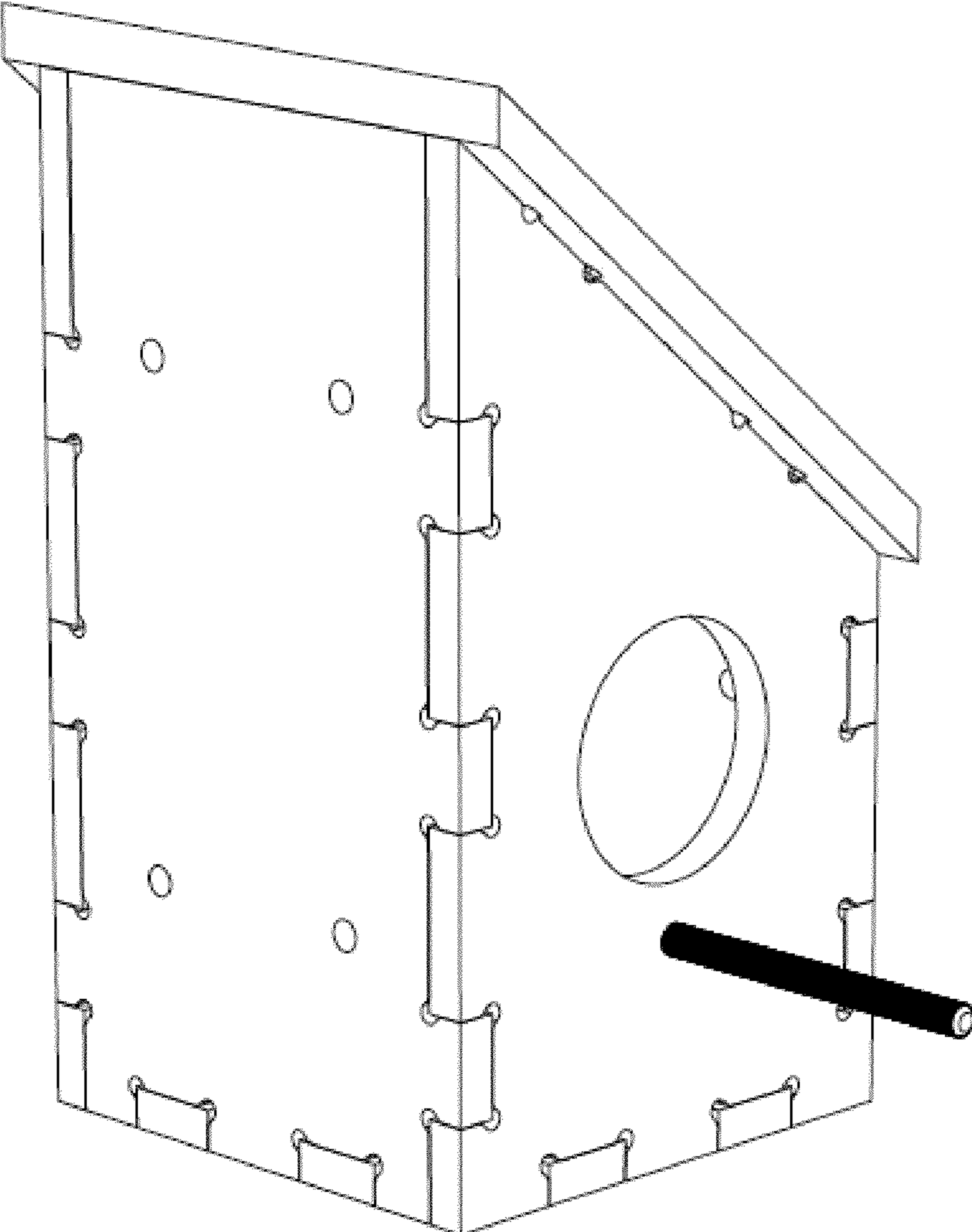


Figure 2

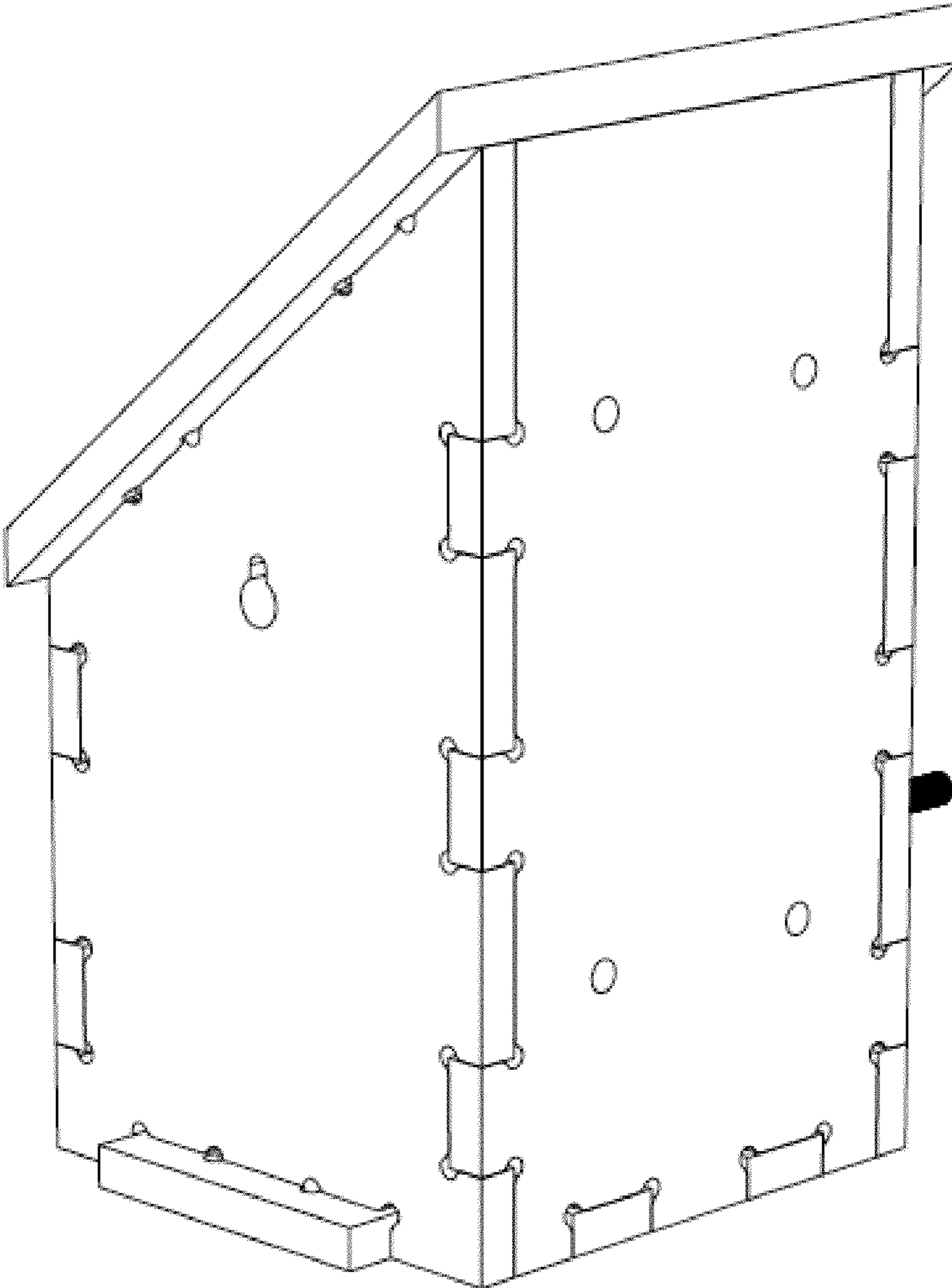


Figure 3

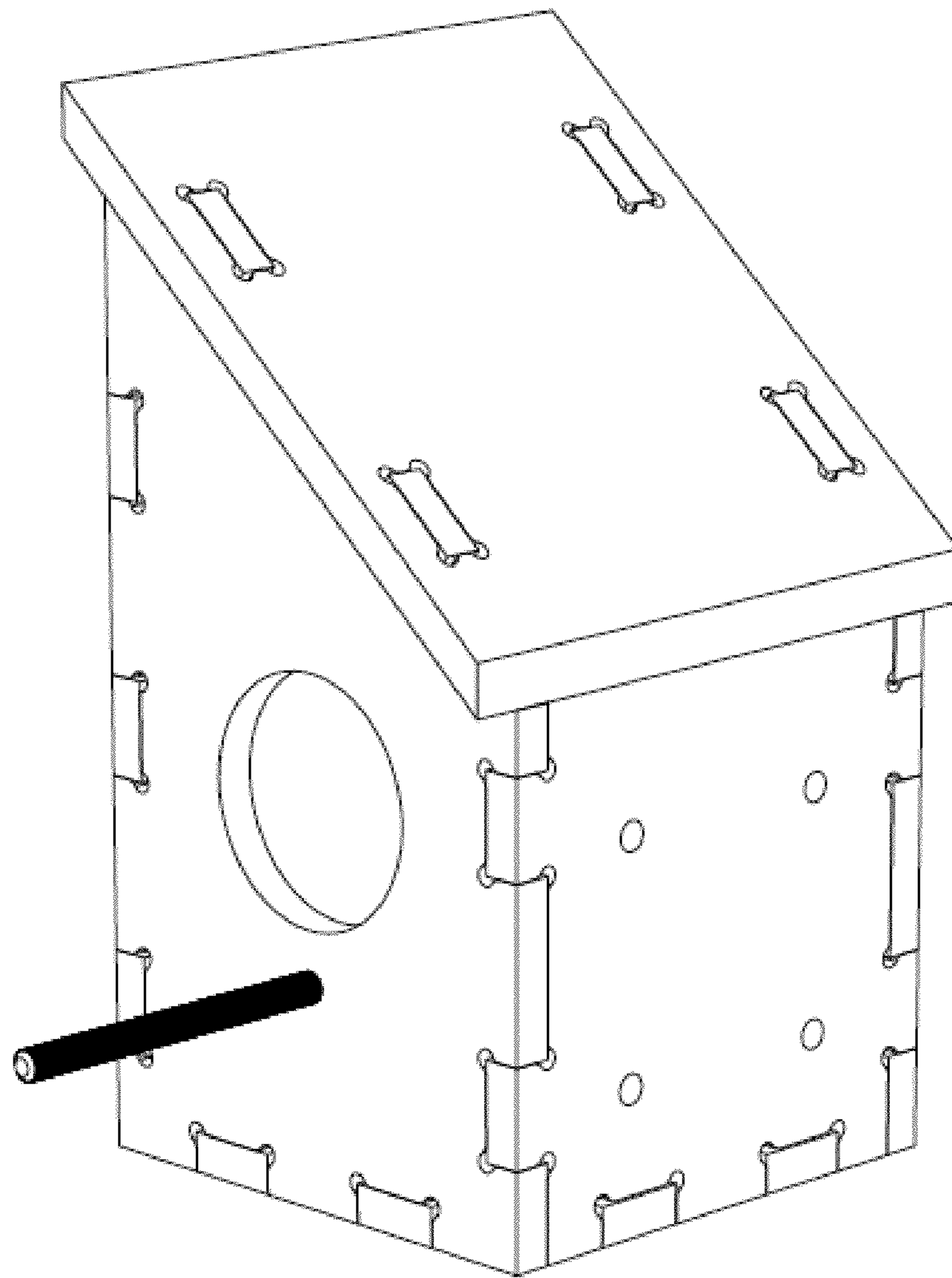


Figure 4

