



US00D705996S

(12) **United States Design Patent**
Renforth et al.

(10) **Patent No.:** **US D705,996 S**

(45) **Date of Patent:** **** May 27, 2014**

(54) **PET CARRIER**

(71) Applicants: **Jack William Renforth**, Arlington, TX
(US); **Ann Hanson**, Ionia, MI (US)

(72) Inventors: **Jack William Renforth**, Arlington, TX
(US); **Ann Hanson**, Ionia, MI (US)

(73) Assignee: **Doskocil Manufacturing Company, Inc.**, Arlington, TX (US)

(**) Term: **14 Years**

(21) Appl. No.: **29/449,025**

(22) Filed: **Mar. 14, 2013**

(51) **LOC (10) Cl.** **30-02**

(52) **U.S. Cl.**
USPC **D30/108; D30/109**

(58) **Field of Classification Search**
USPC D30/108–109, 112–113, 118, 161;
119/161, 165–167, 416, 452–454, 474,
119/482, 496–497, 500, 502
See application file for complete search history.

(56) **References Cited**

U.S. PATENT DOCUMENTS

5,092,269 A * 3/1992 Phillips et al. 119/452
D331,131 S * 11/1992 Quillen D30/109

D335,965 S * 6/1993 Spring D30/108
D499,514 S * 12/2004 Doan D30/108
6,866,009 B2 * 3/2005 Smith et al. 119/840
7,261,060 B1 * 8/2007 Garofola et al. 119/496
D551,810 S * 9/2007 Yeung D30/108
D612,999 S * 3/2010 Migita D30/108

* cited by examiner

Primary Examiner — Cathy A MacCormac

(74) *Attorney, Agent, or Firm* — Eckert Seamans Cherin & Mellott, LLC; Brij K. Agarwal

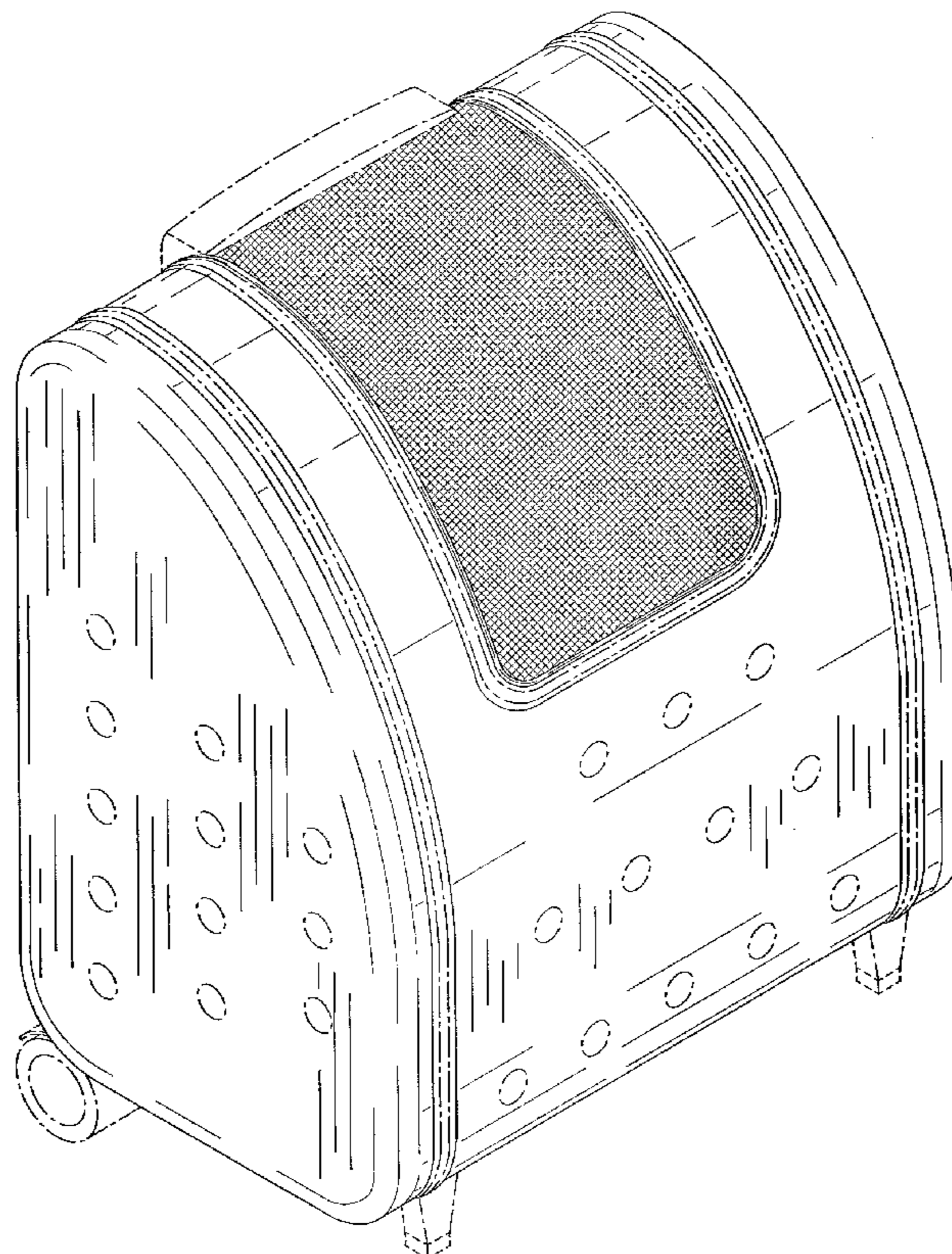
(57) **CLAIM**

The ornamental design for a pet carrier, as shown and described.

DESCRIPTION

FIG. 1 is a perspective view of the pet carrier;
FIG. 2 is front elevational view thereof;
FIG. 3 is a right side elevational view thereof;
FIG. 4 is a rear elevational view thereof;
FIG. 5 is a left side elevational view thereof;
FIG. 6 is a top plan view thereof; and,
FIG. 7 is a bottom plan view thereof.
The broken lines are for illustration only and form no part of the claimed design.

1 Claim, 7 Drawing Sheets



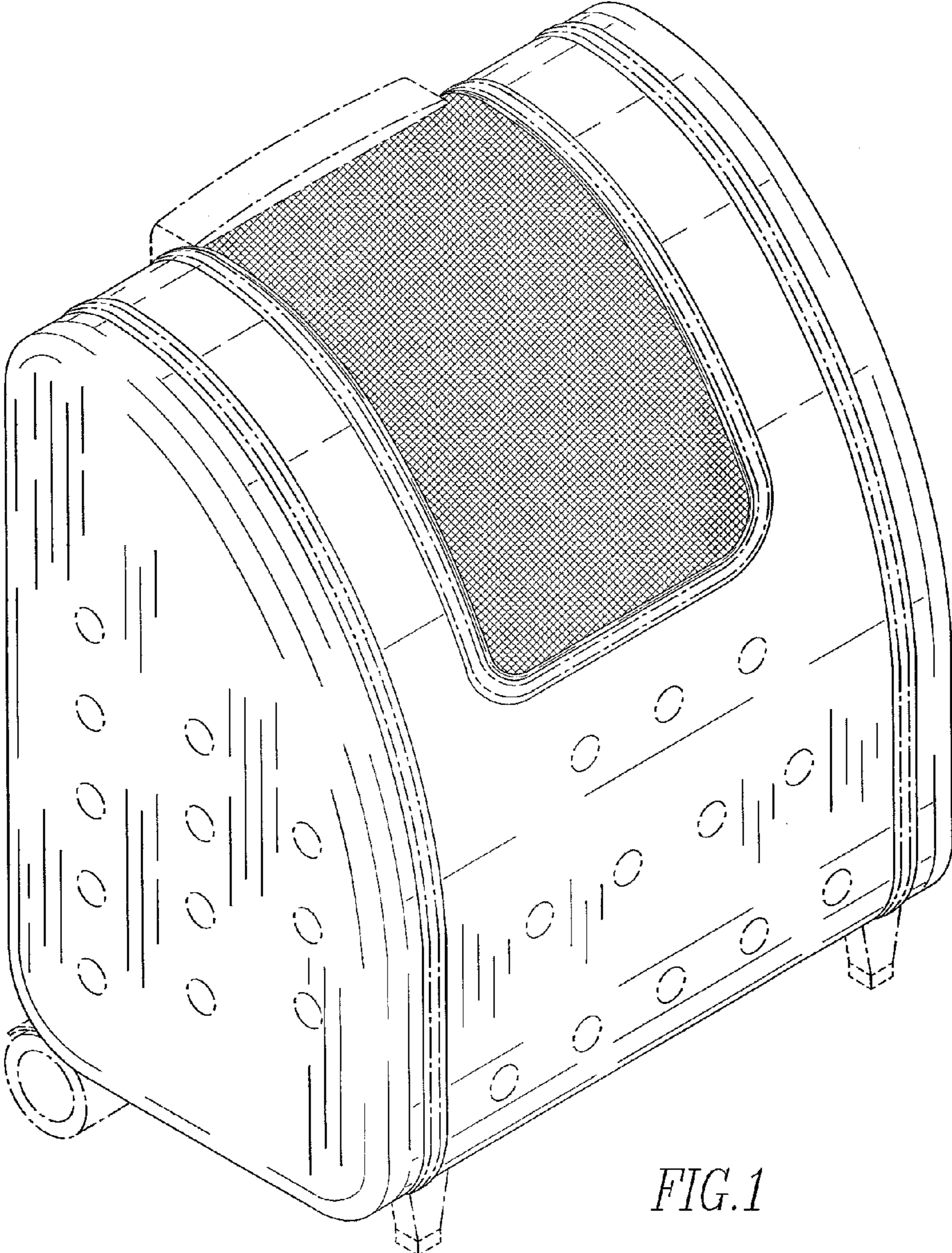


FIG. 1

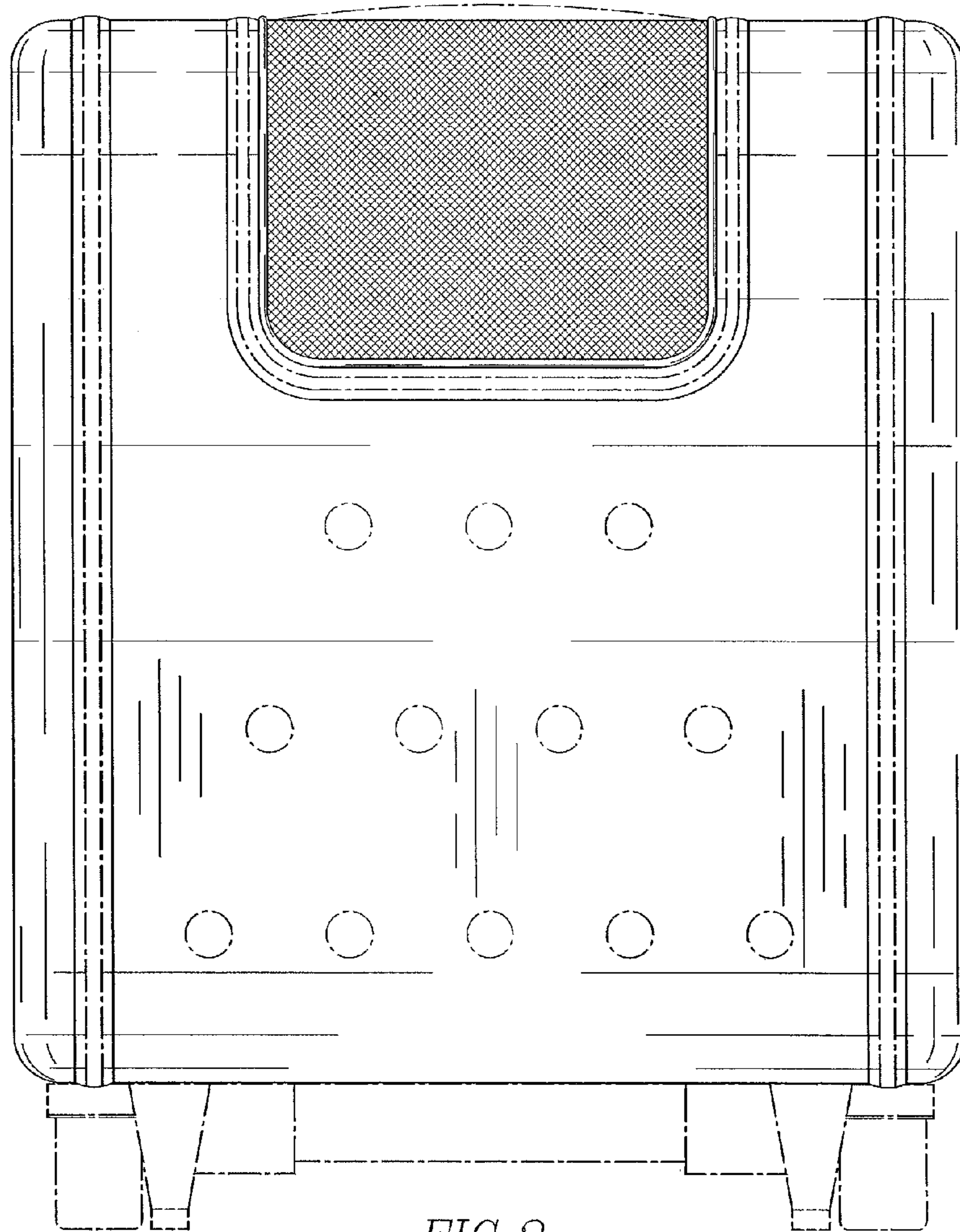


FIG. 2

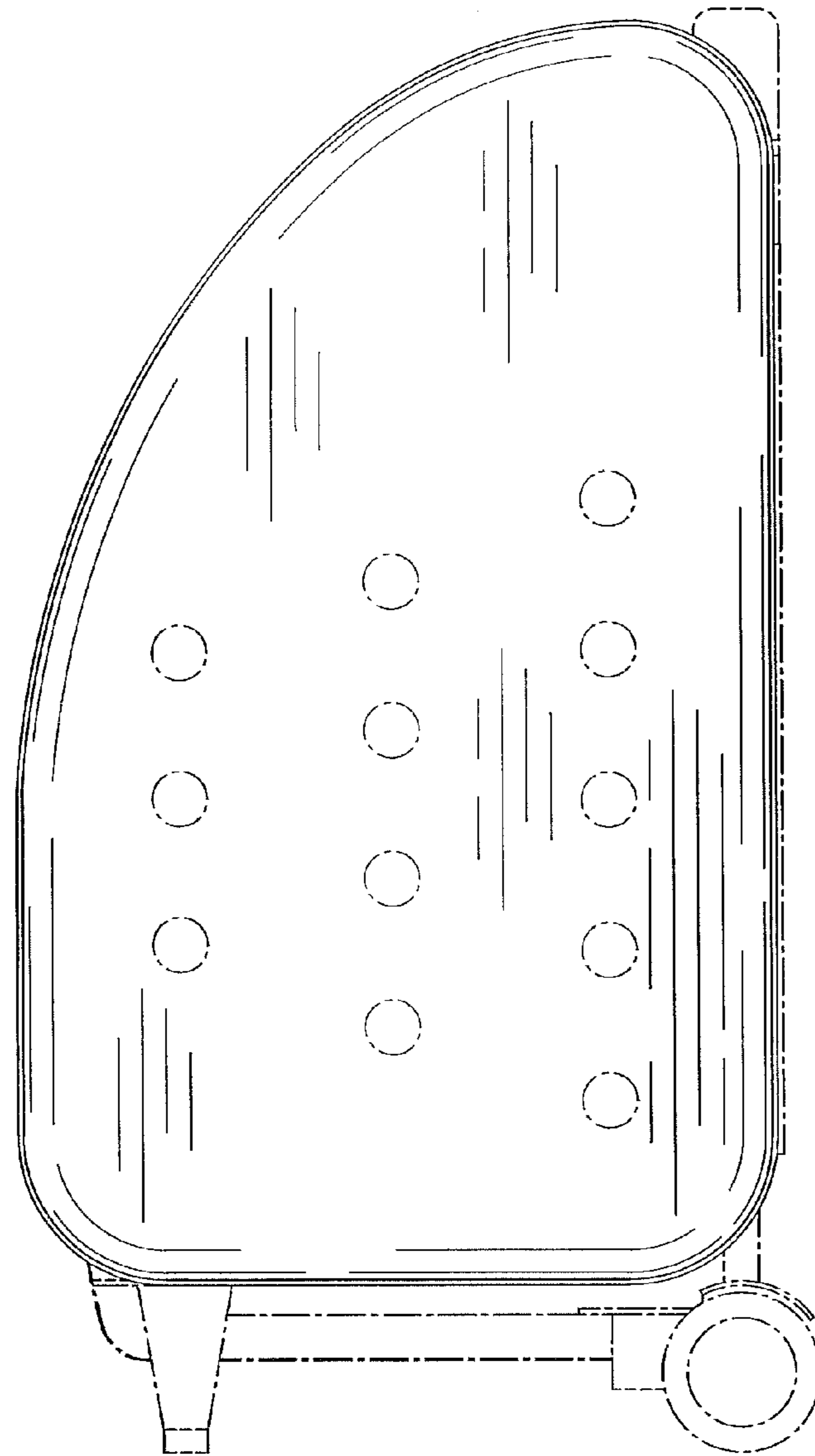


FIG. 3

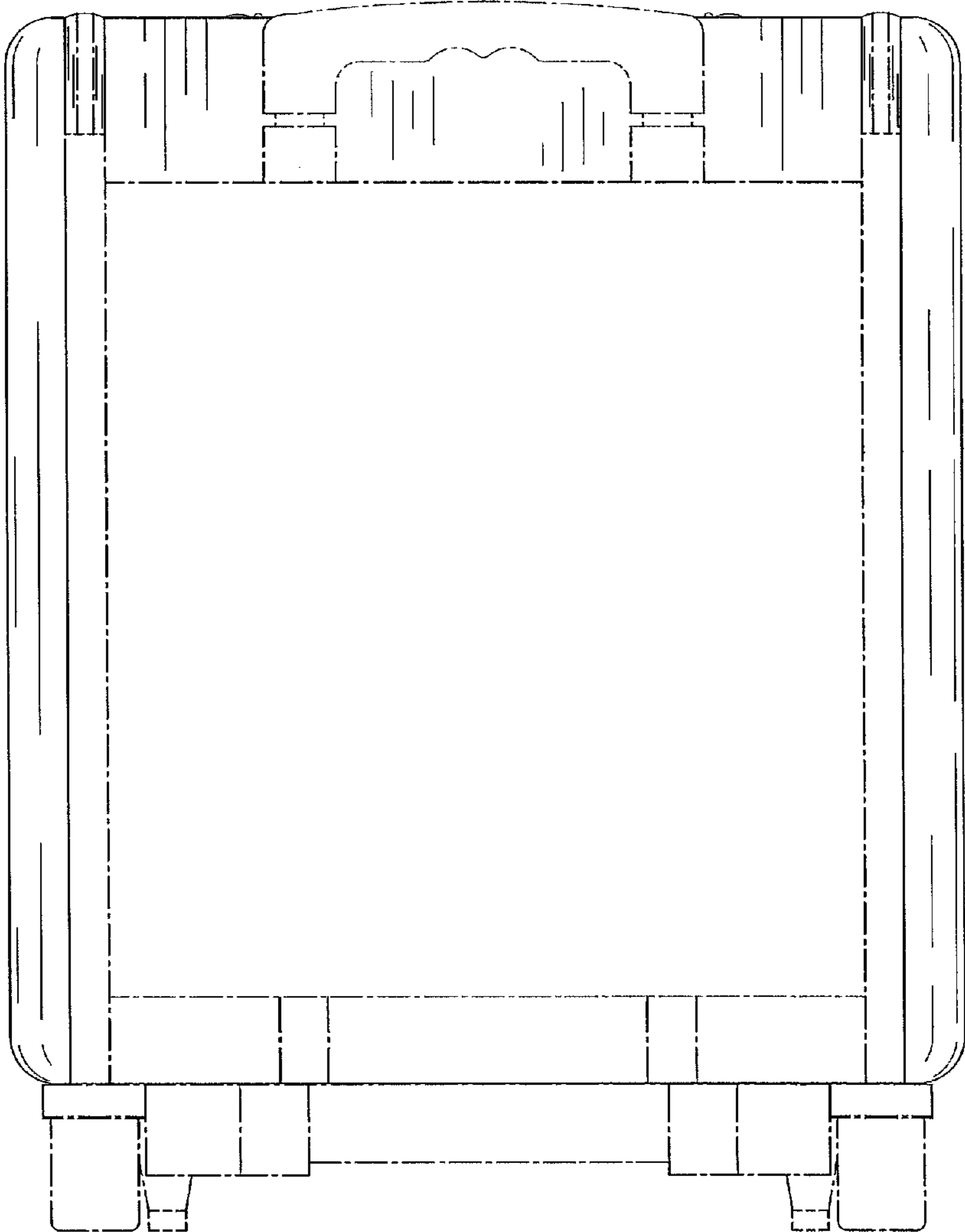


FIG. 4

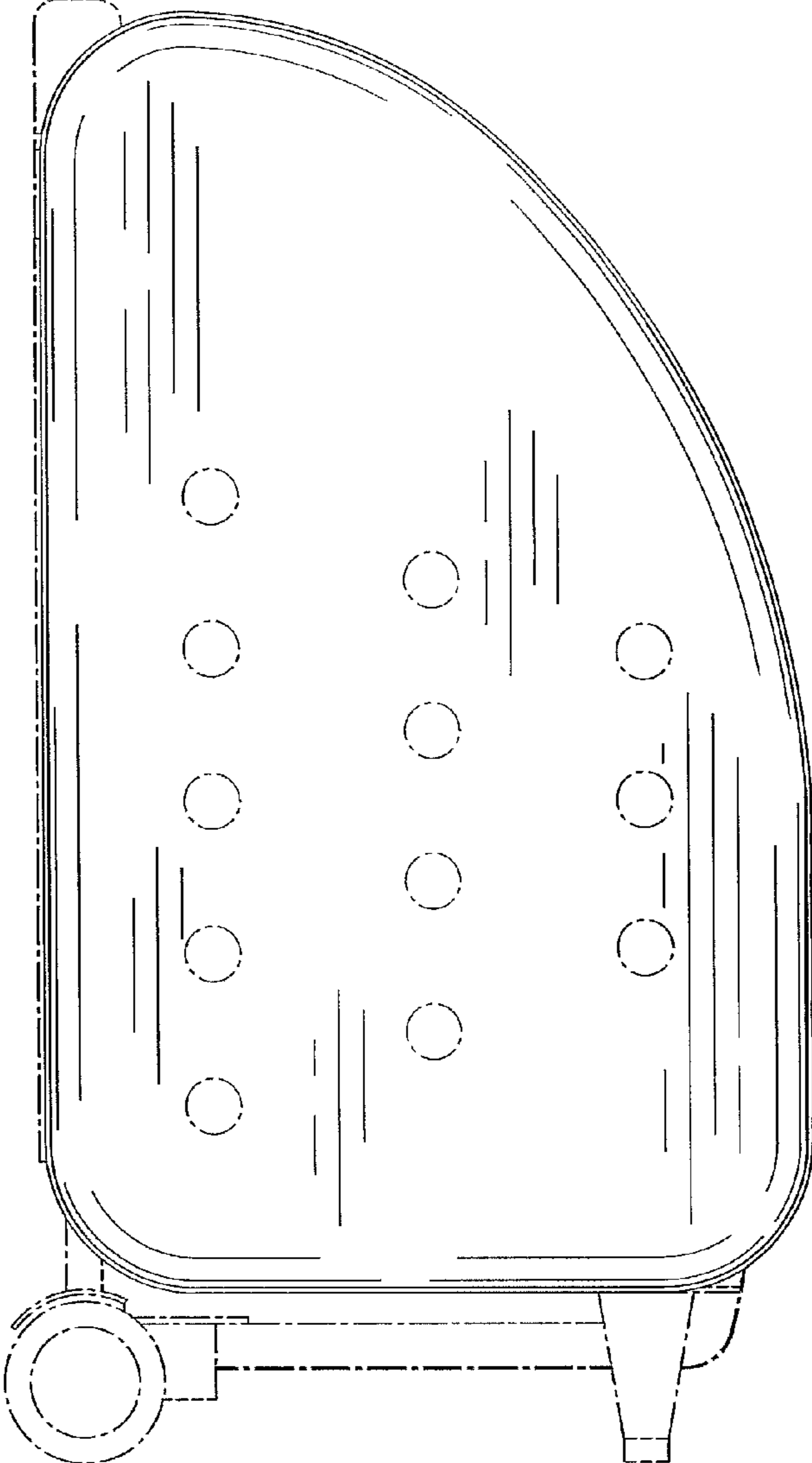


FIG.5

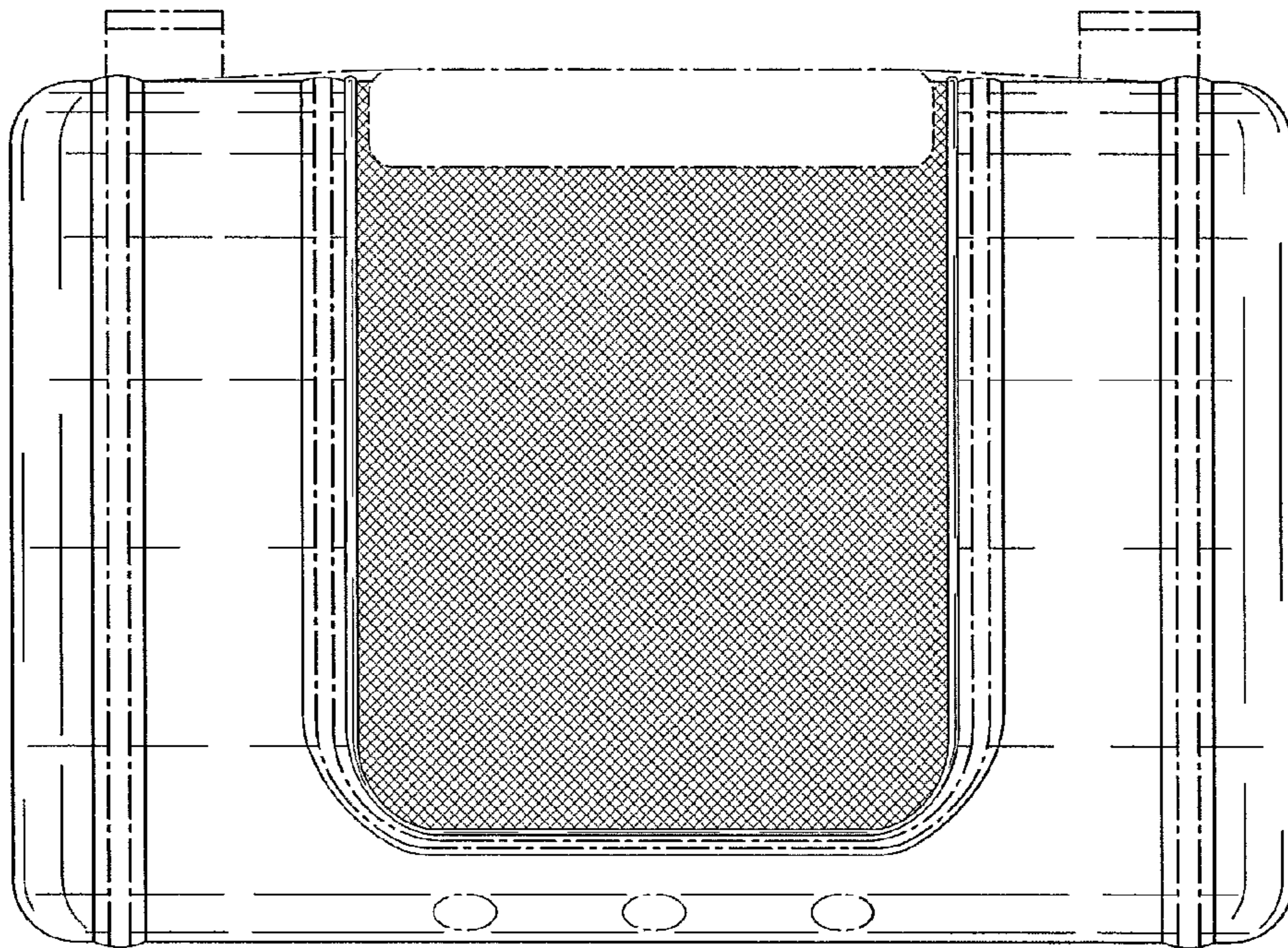


FIG. 6

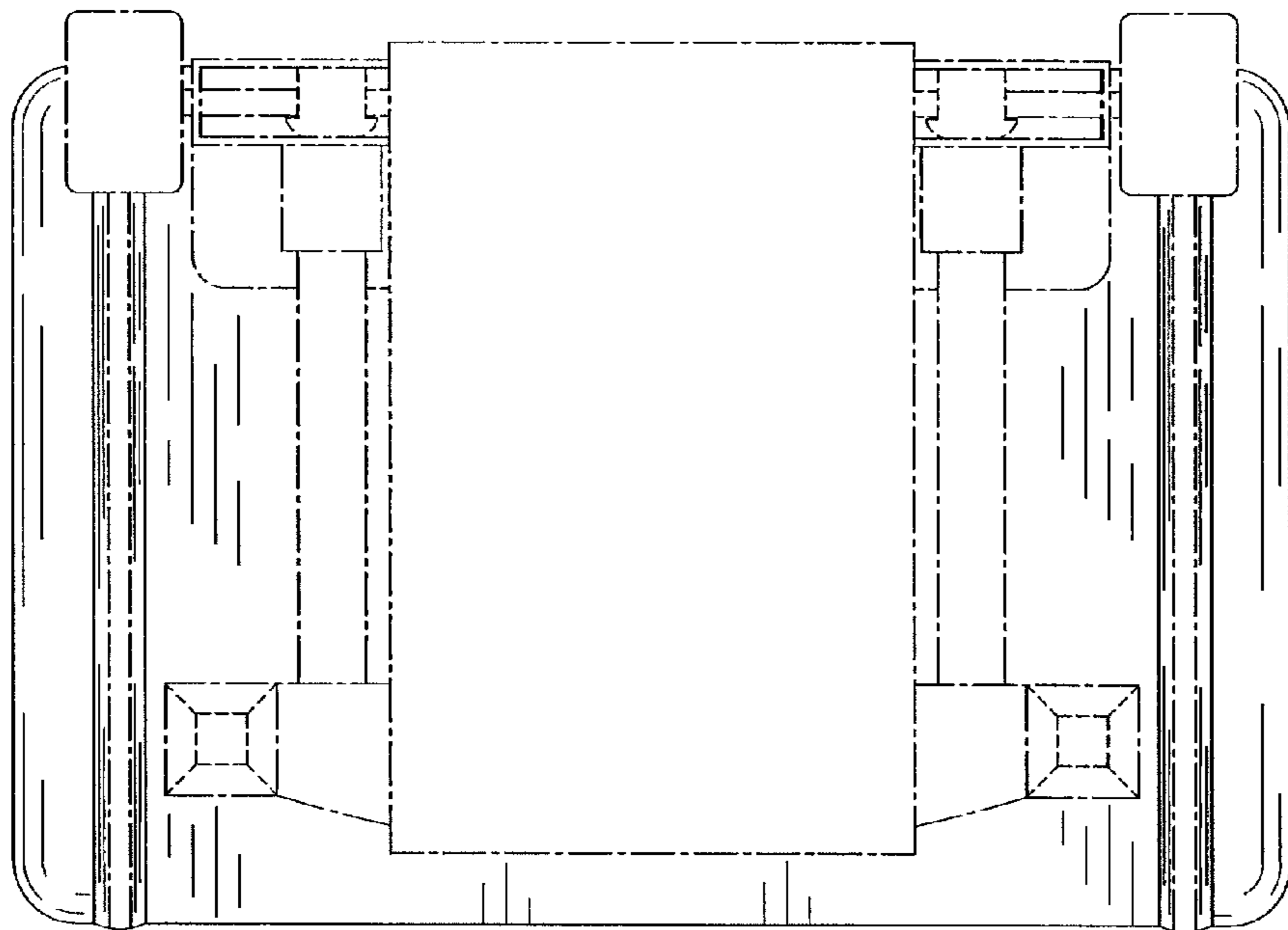


FIG. 7

UNITED STATES PATENT AND TRADEMARK OFFICE
CERTIFICATE OF CORRECTION

PATENT NO. : D705,996 S
APPLICATION NO. : 29/449025
DATED : May 27, 2014
INVENTOR(S) : Jack William Renforth

Page 1 of 9

It is certified that error appears in the above-identified patent and that said Letters Patent is hereby corrected as shown below:

The Title Page, showing an illustrative figure, should be deleted and substitute therefor the attached title page.

In the Drawings

Delete Figures 1-7 and replace with attached FIGURES 1-7.

Signed and Sealed this
Fifth Day of May, 2015



Michelle K. Lee
Director of the United States Patent and Trademark Office

(12) **United States Design Patent** (10) **Patent No.:** **US D705,996 S**
Renforth et al. (45) **Date of Patent:** **** May 27, 2014**

(54) **PET CARRIER**

(71) Applicants: **Jack William Renforth**, Arlington, TX (US); **Ann Hanson**, Ionia, MI (US)

(72) Inventors: **Jack William Renforth**, Arlington, TX (US); **Ann Hanson**, Ionia, MI (US)

(73) Assignee: **Daskocil Manufacturing Company, Inc.**, Arlington, TX (US)

(**) Term: **14 Years**

(21) Appl. No.: **29/449,025**

(22) Filed: **Mar. 14, 2013**

(51) **LOC (10) Cl.** **30-02**

(52) **U.S. Cl.**
 USPC **D30/108; D30/109**

(58) **Field of Classification Search**
 USPC **D30/108-109, 112-113, 118, 161; 119/161, 165-167, 416, 452-454, 474, 119/482, 496-497, 500, 502**
 See application file for complete search history.

D335,965 S * 6/1993 Spring D30/108
 D499,514 S * 12/2004 Doan D30/108
 6,866,009 B2 * 3/2005 Smith et al. 119/840
 7,261,060 B1 * 8/2007 Garofola et al. 119/496
 D551,810 S * 9/2007 Yeung D30/108
 D612,999 S * 3/2010 Migita D30/108

* cited by examiner

Primary Examiner — Cathy A MacCormac
 (74) *Attorney, Agent, or Firm* — Eckert Seamans Cherin & Mellott, LLC; Brij K. Agarwal

(57) **CLAIM**
 The ornamental design for a pet carrier, as shown and described.

DESCRIPTION

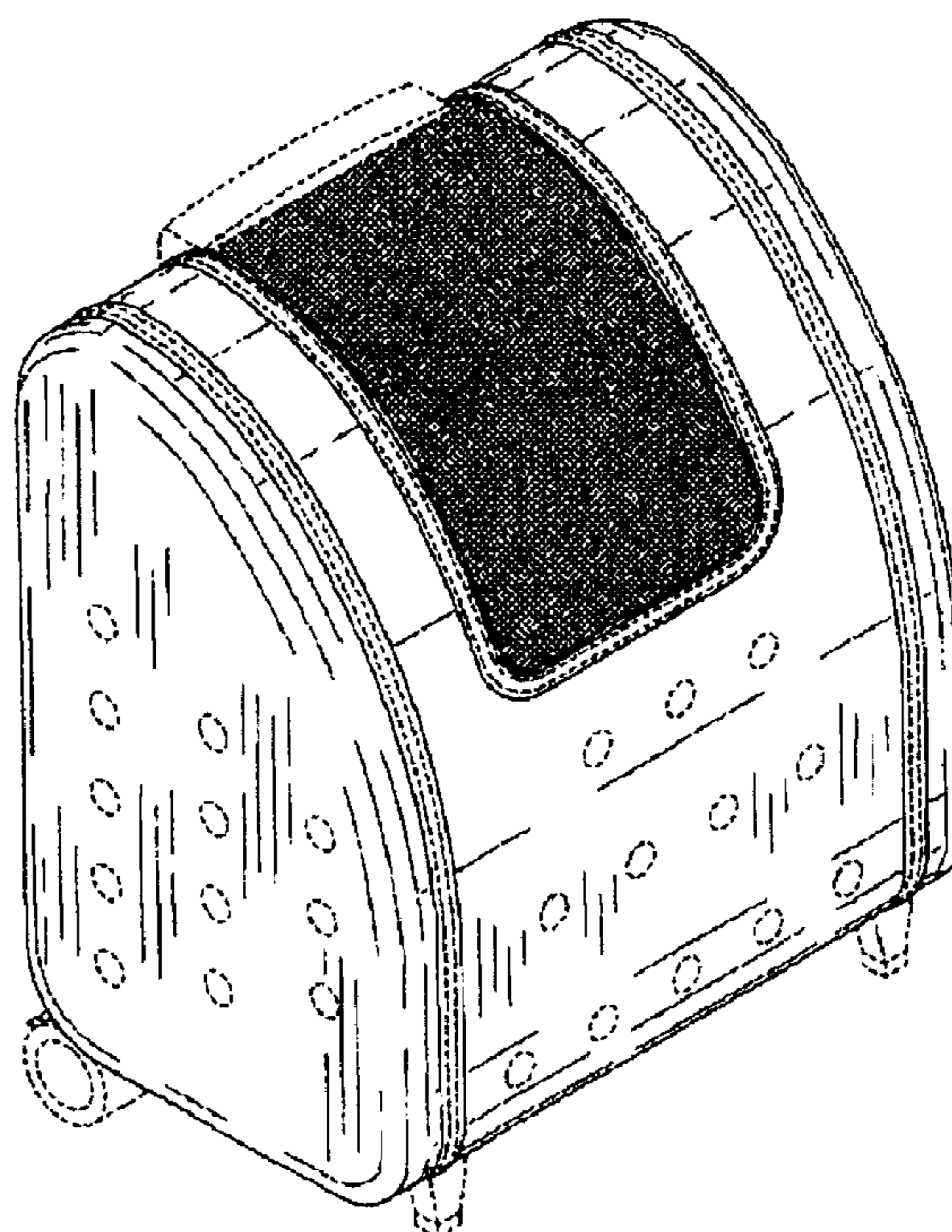
FIG. 1 is a perspective view of the pet carrier; FIG. 2 is front elevational view thereof; FIG. 3 is a right side elevational view thereof; FIG. 4 is a rear elevational view thereof; FIG. 5 is a left side elevational view thereof; FIG. 6 is a top plan view thereof; and, FIG. 7 is a bottom plan view thereof.
 The broken lines are for illustration only and form no part of the claimed design.

1 Claim, 7 Drawing Sheets

(56) **References Cited**

U.S. PATENT DOCUMENTS

5,092,269 A * 3/1992 Phillips et al. 119/452
 D331,131 S * 11/1992 Quilcen D30/109



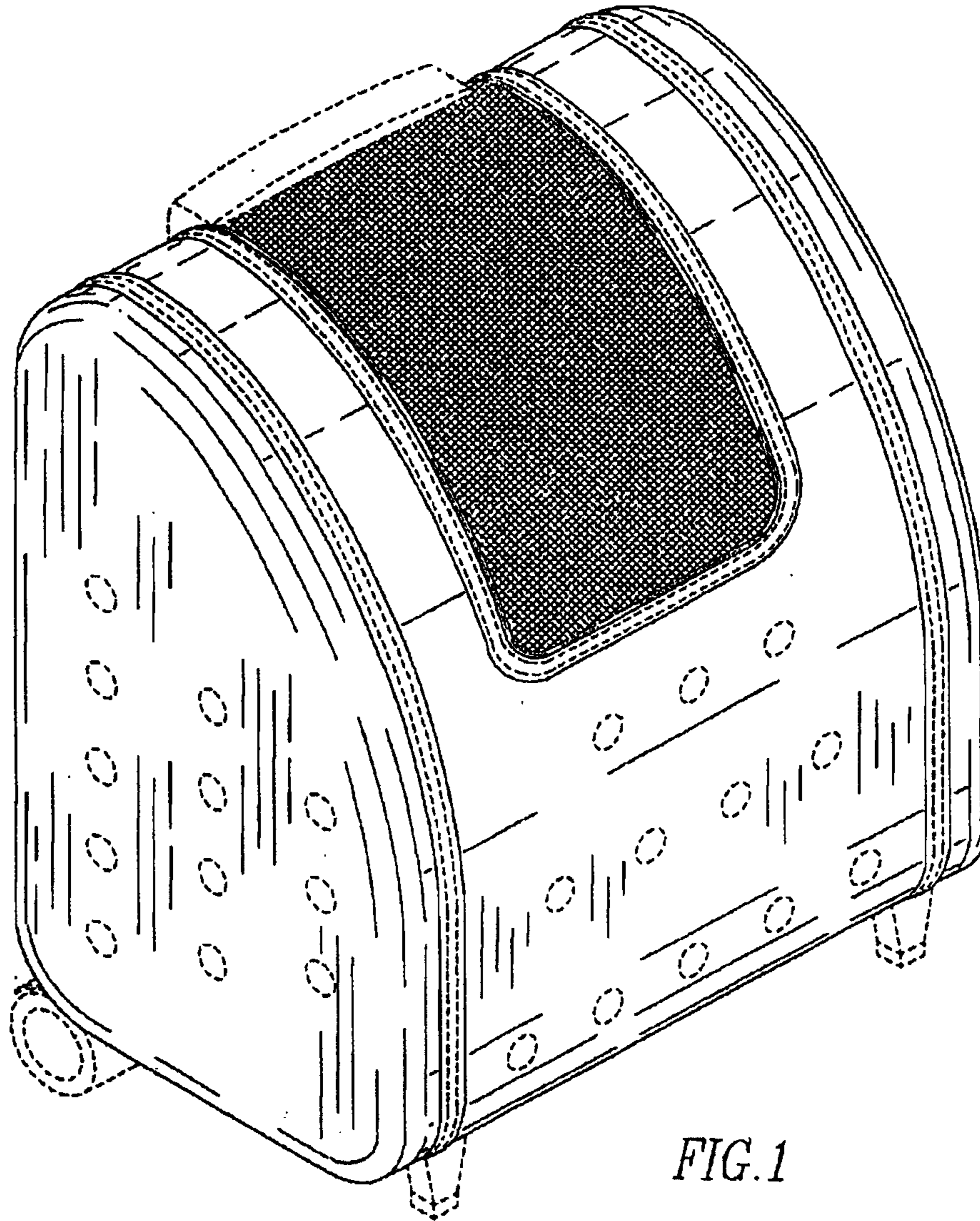


FIG. 1

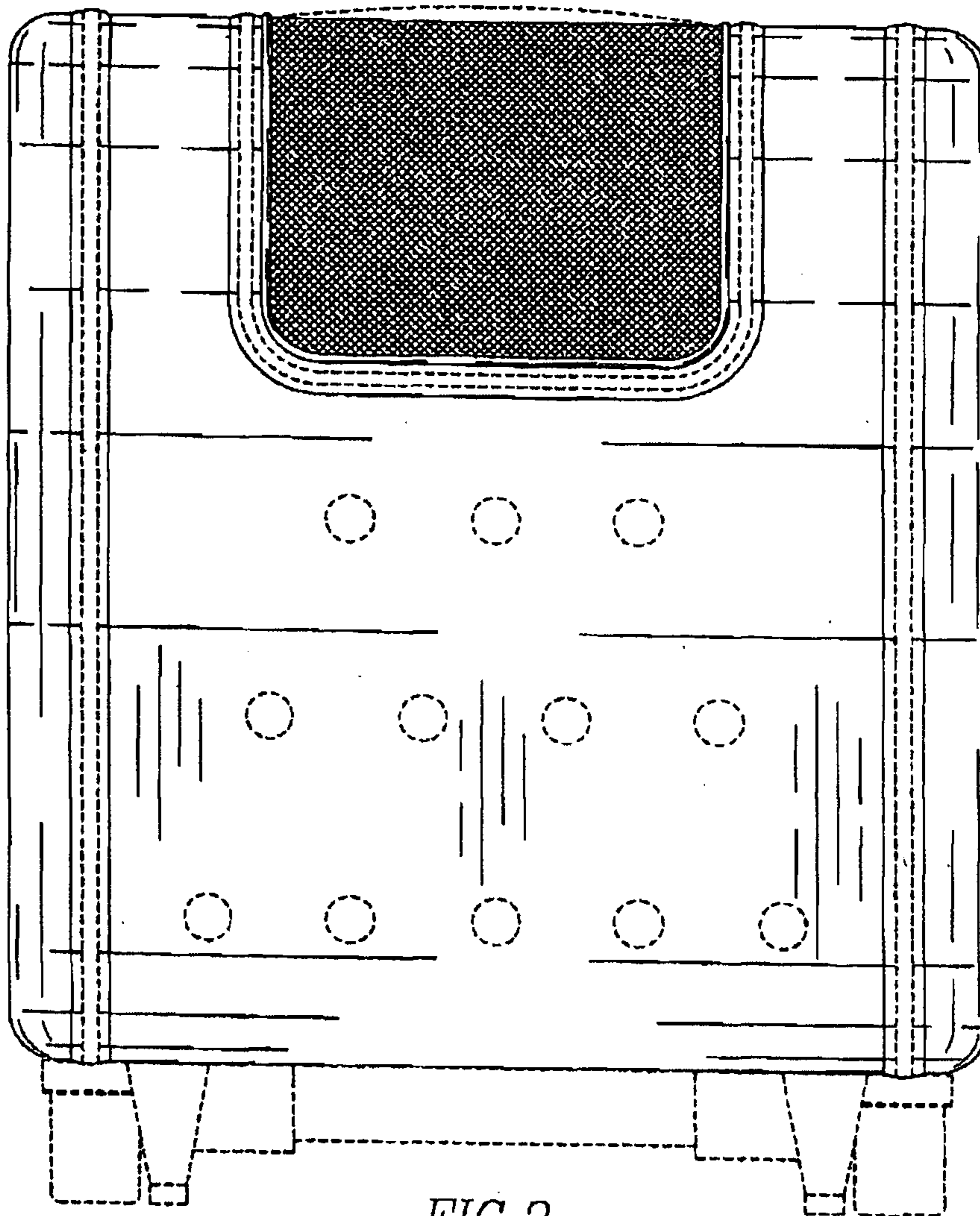


FIG.2

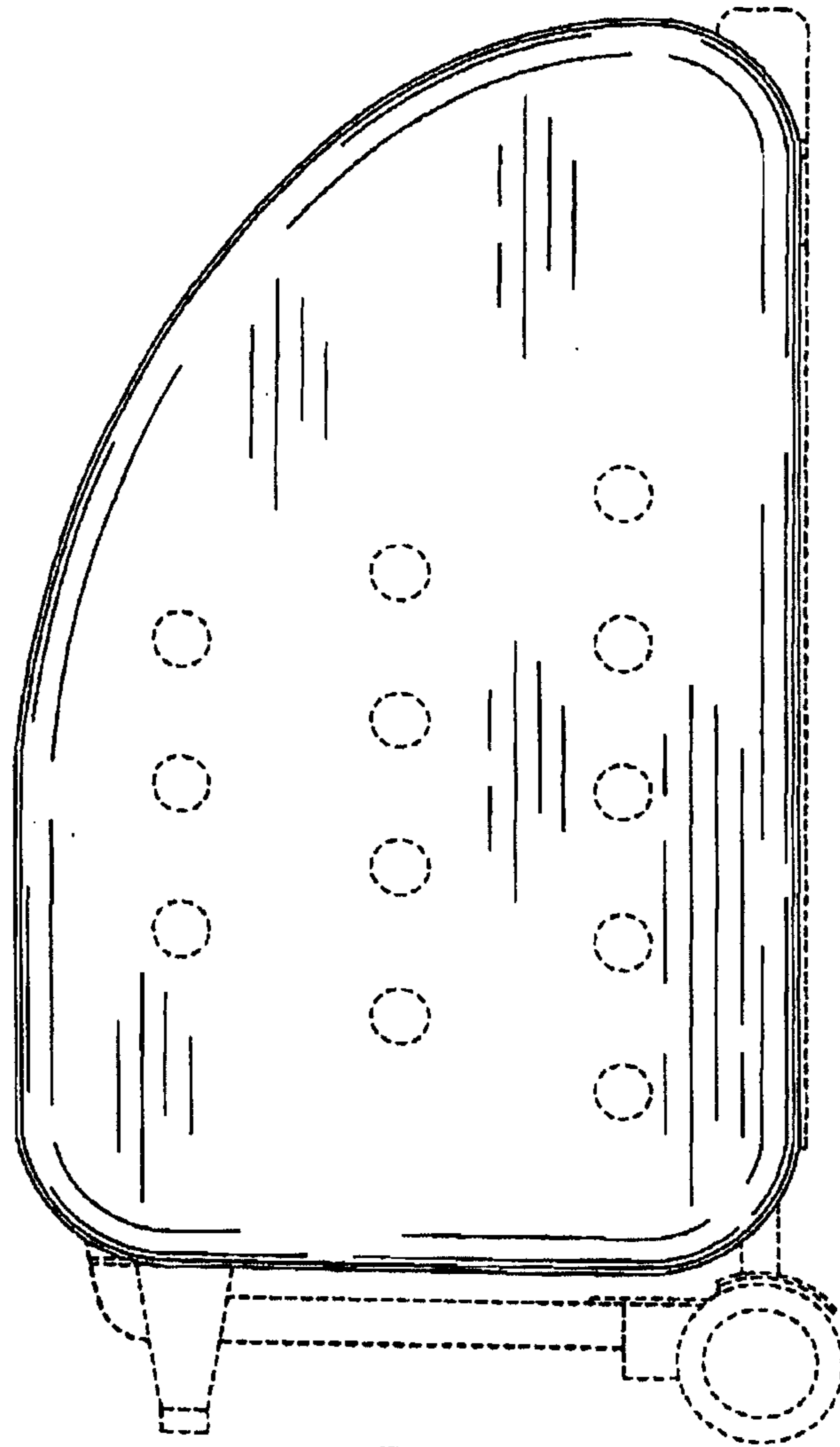


FIG. 3

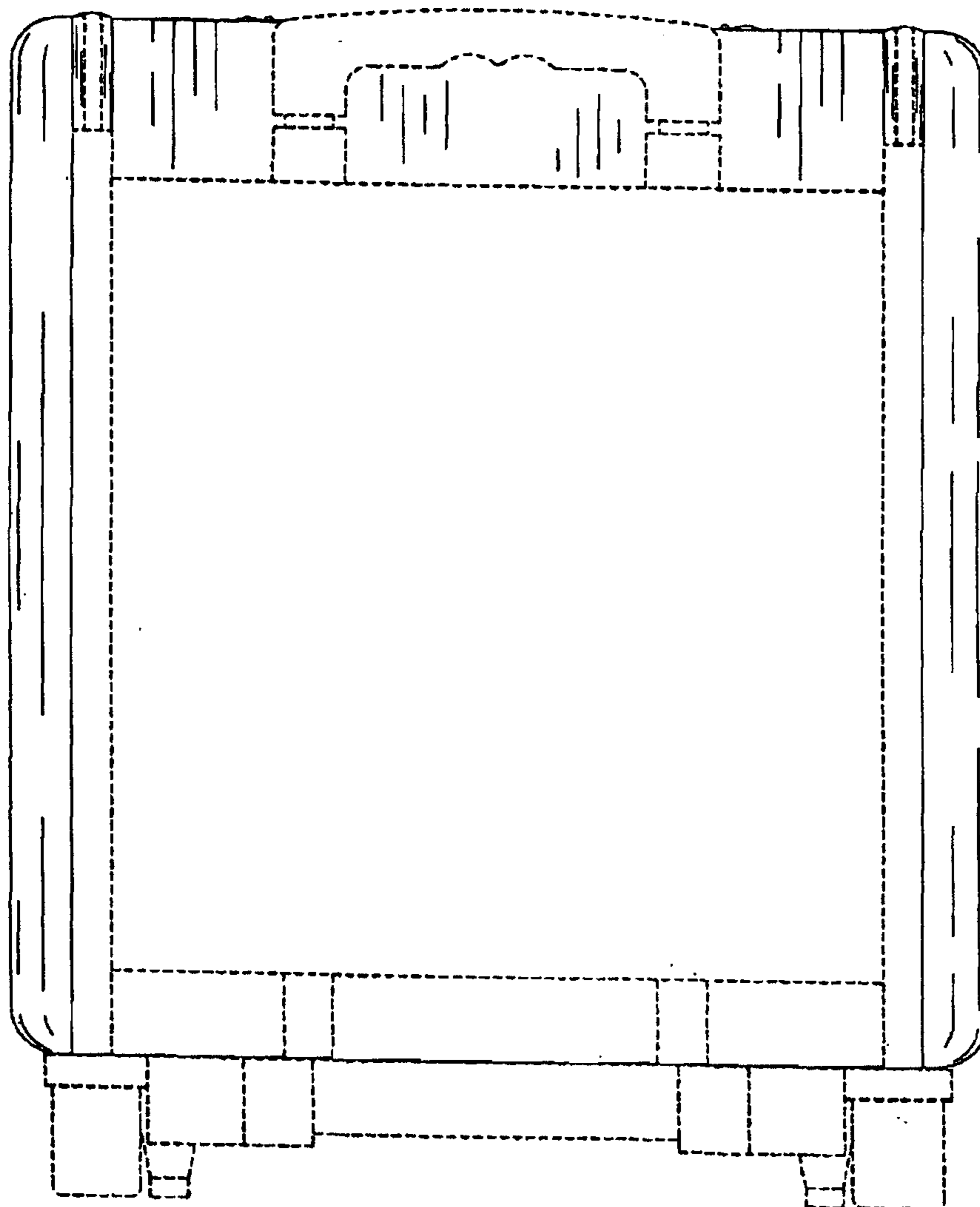


FIG. 4

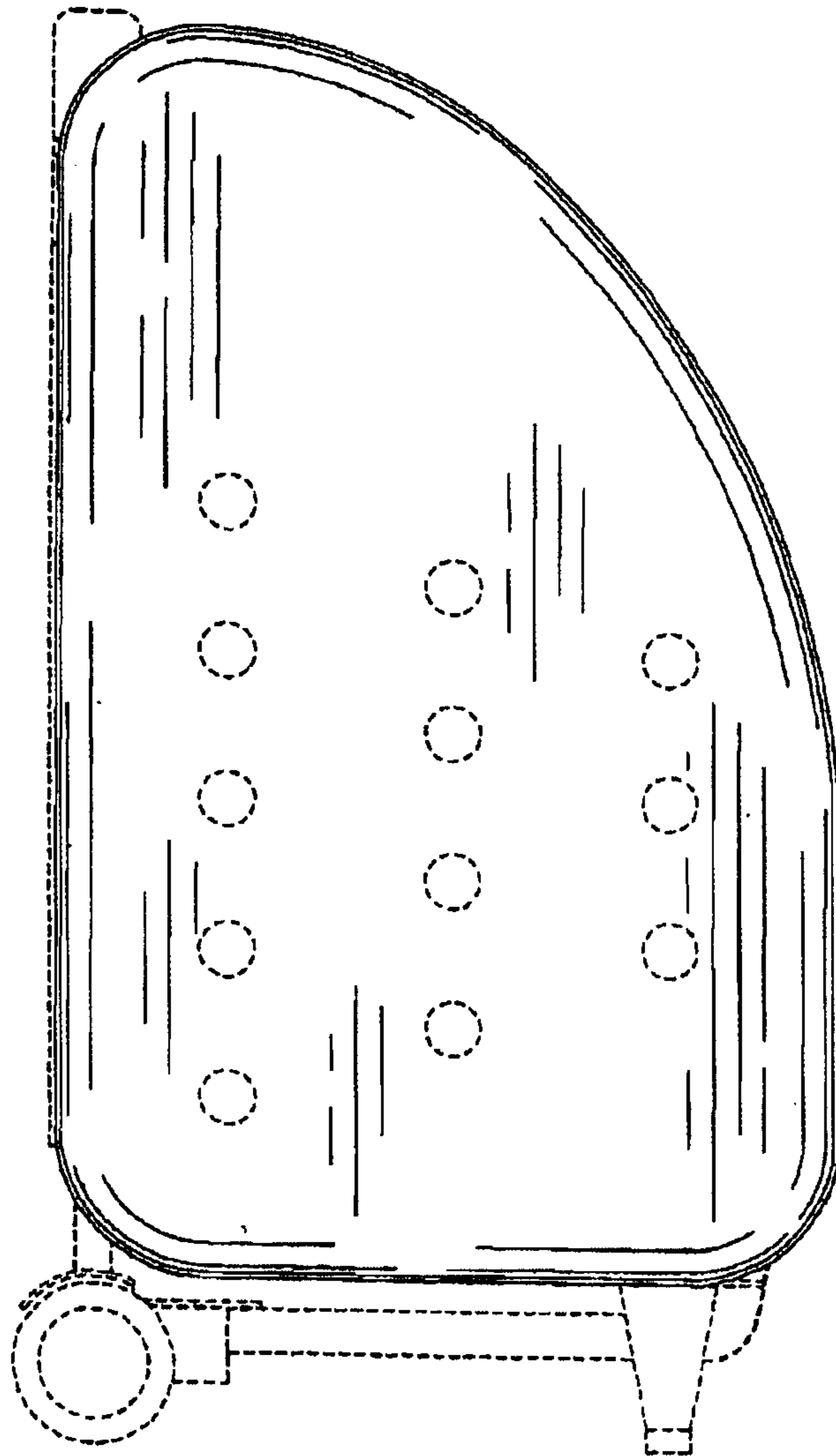


FIG. 5

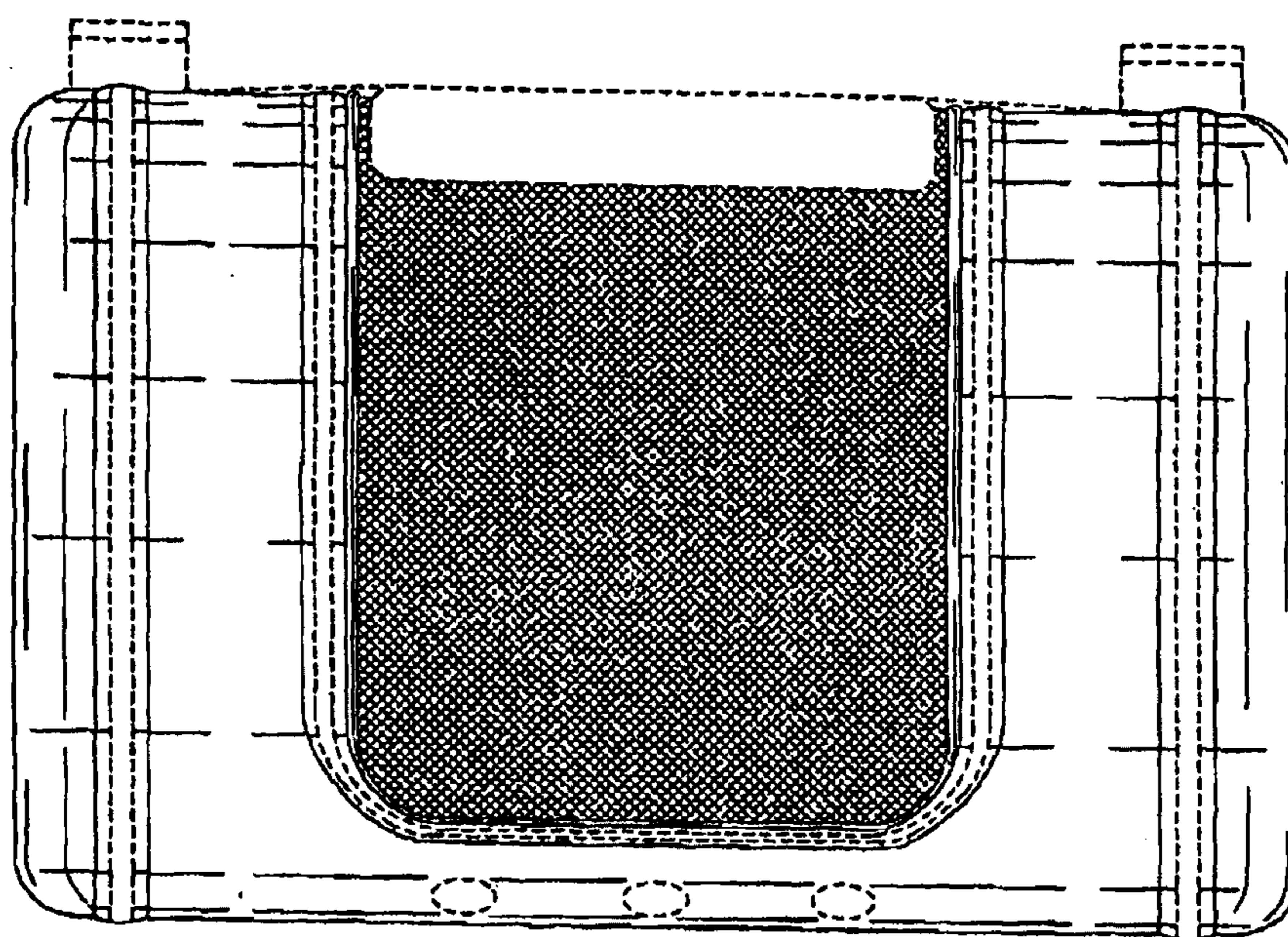


FIG. 6

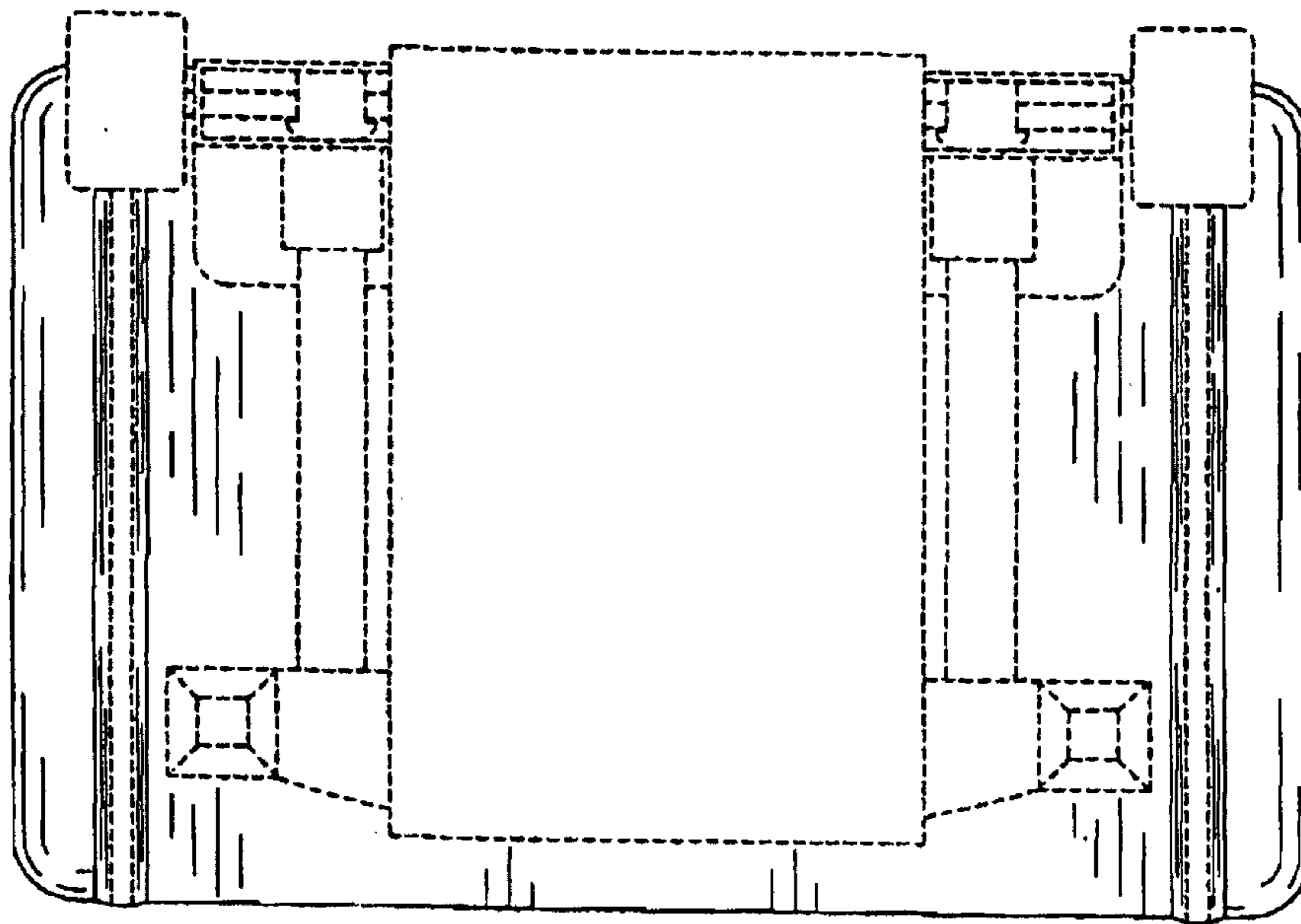


FIG. 7