



US00D705995S

(12) **United States Design Patent**
Veness et al.

(10) **Patent No.:** **US D705,995 S**

(45) **Date of Patent:** **** May 27, 2014**

(54) **PET CARRIER**

(71) Applicants: **David Veness**, Fort Worth, TX (US);
Adam Ward Weber, Fort Worth, TX
(US); **Michael Don Harper**, Fort Worth,
TX (US)

(72) Inventors: **David Veness**, Fort Worth, TX (US);
Adam Ward Weber, Fort Worth, TX
(US); **Michael Don Harper**, Fort Worth,
TX (US)

(73) Assignee: **Doskocil Manufacturing Company,**
Inc., Arlington, TX (US)

(**) Term: **14 Years**

(21) Appl. No.: **29/439,547**

(22) Filed: **Dec. 12, 2012**

(51) **LOC (10) Cl.** **30-02**

(52) **U.S. Cl.**
USPC **D30/108**

(58) **Field of Classification Search**
USPC D30/108-109, 112-117, 160-161;
119/452-453, 474, 481-482, 489, 491,
119/494, 496-498, 501, 513-514

See application file for complete search history.

(56) **References Cited**

U.S. PATENT DOCUMENTS

3,490,417	A	*	1/1970	Swinney	119/496
D314,251	S	*	1/1991	Van Skiver	D30/109
D361,175	S	*	8/1995	VanSkiver	D30/161
D471,676	S	*	3/2003	Kinder et al.	D30/108
6,571,740	B1	*	6/2003	Kinder et al.	119/497
D545,507	S	*	6/2007	Harper et al.	D30/108
D546,005	S	*	7/2007	Harper et al.	D30/108
D551,399	S	*	9/2007	Harper et al.	D30/108
D671,691	S	*	11/2012	Neilan	D30/108

* cited by examiner

Primary Examiner — Cathy A MacCormac

(74) *Attorney, Agent, or Firm* — Eckert Seamans Cherin &
Mellott, LLC; Brij K. Agarwal

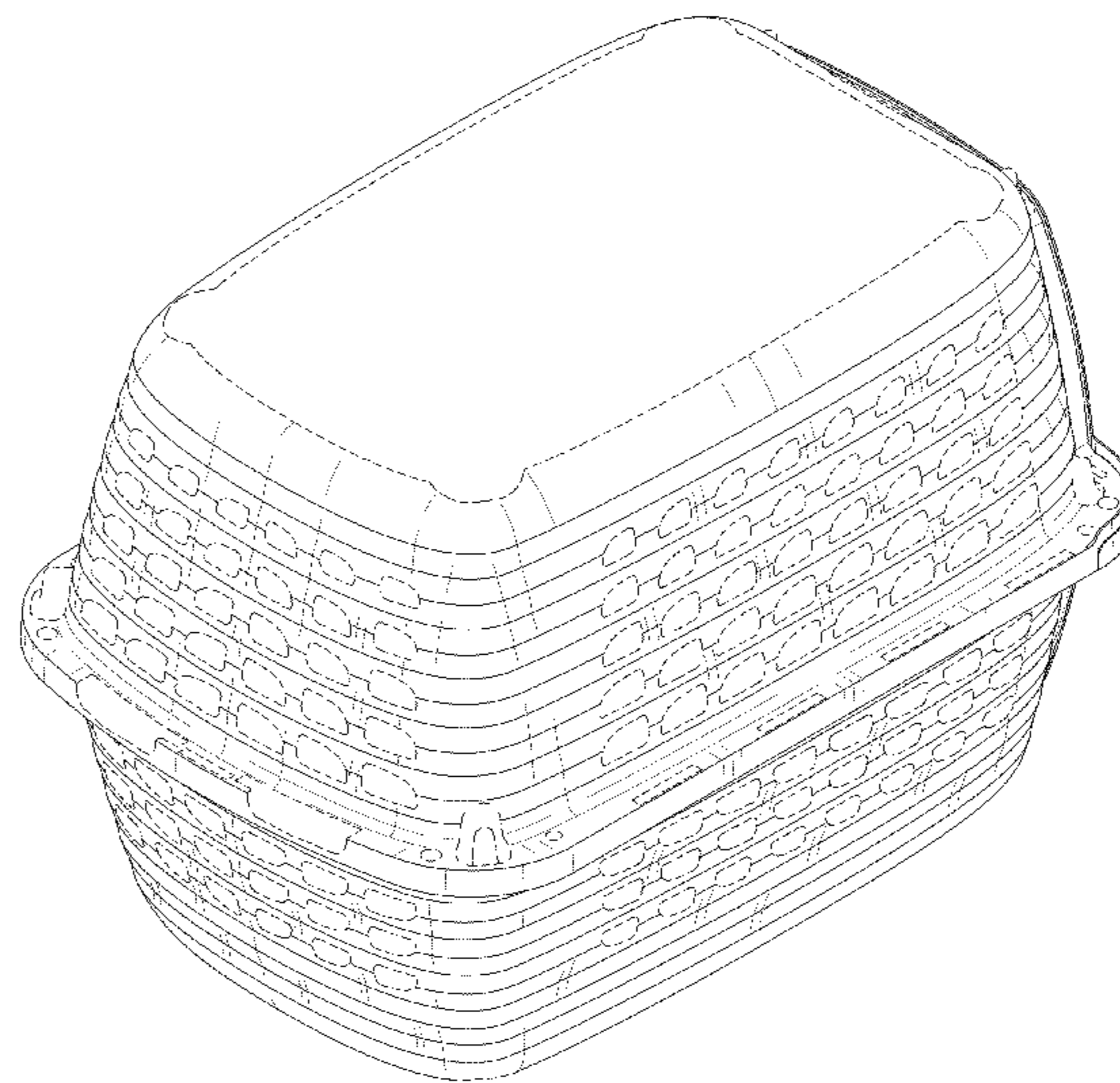
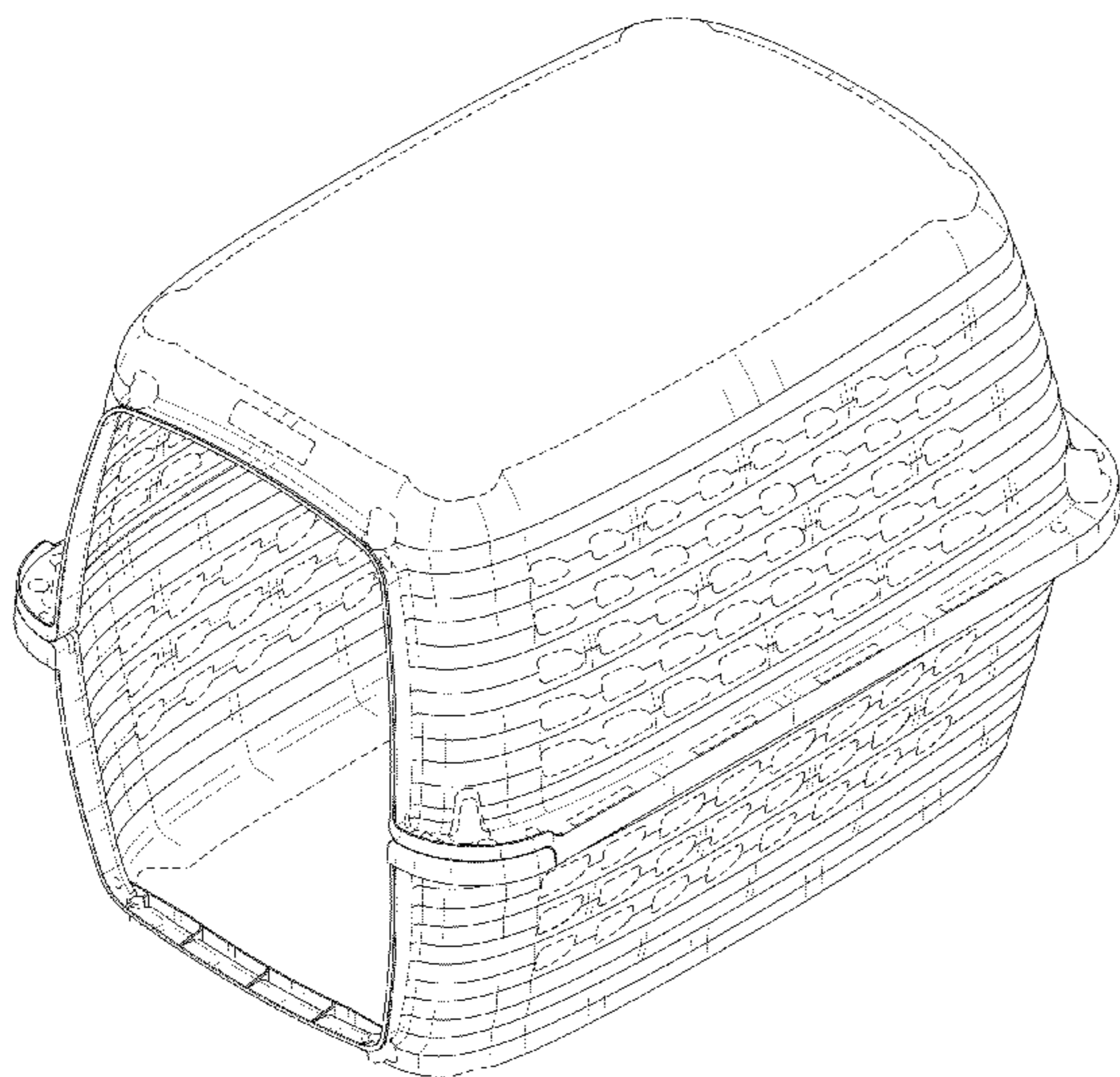
(57) **CLAIM**

The ornamental design for a pet carrier, as shown and
described.

DESCRIPTION

FIG. 1 is a front perspective view of a pet carrier showing our
new design;
FIG. 2 is a rear perspective view thereof;
FIG. 3 is a front elevational view thereof;
FIG. 4 is a right side elevational view thereof;
FIG. 5 is a rear elevational view thereof;
FIG. 6 is a bottom plan view thereof;
FIG. 7 is a top plan view thereof; and,
FIG. 8 is a left side elevational view thereof.
The broken lines are for illustration only and form no part of
the claimed design.

1 Claim, 8 Drawing Sheets



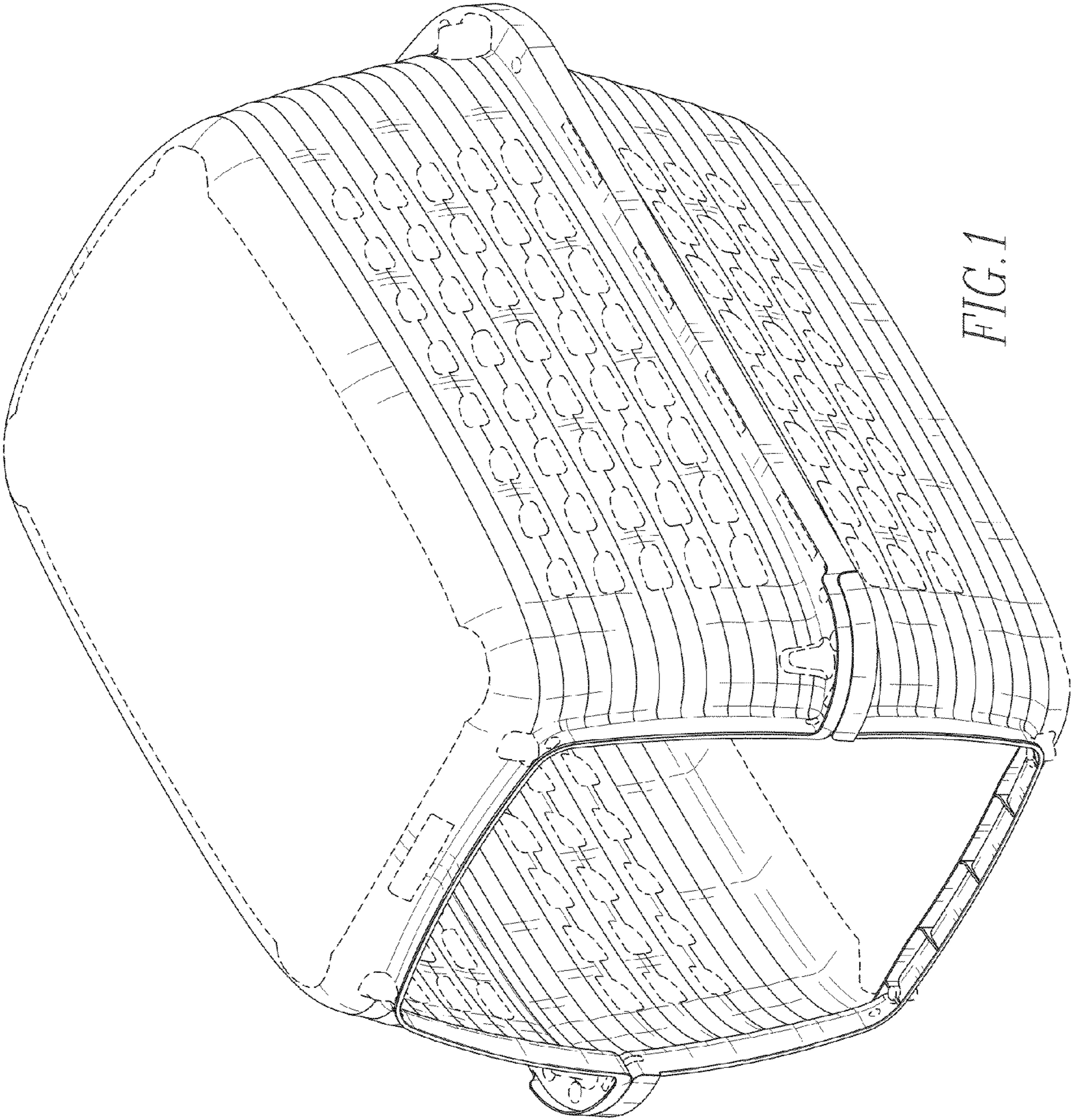


FIG. 1

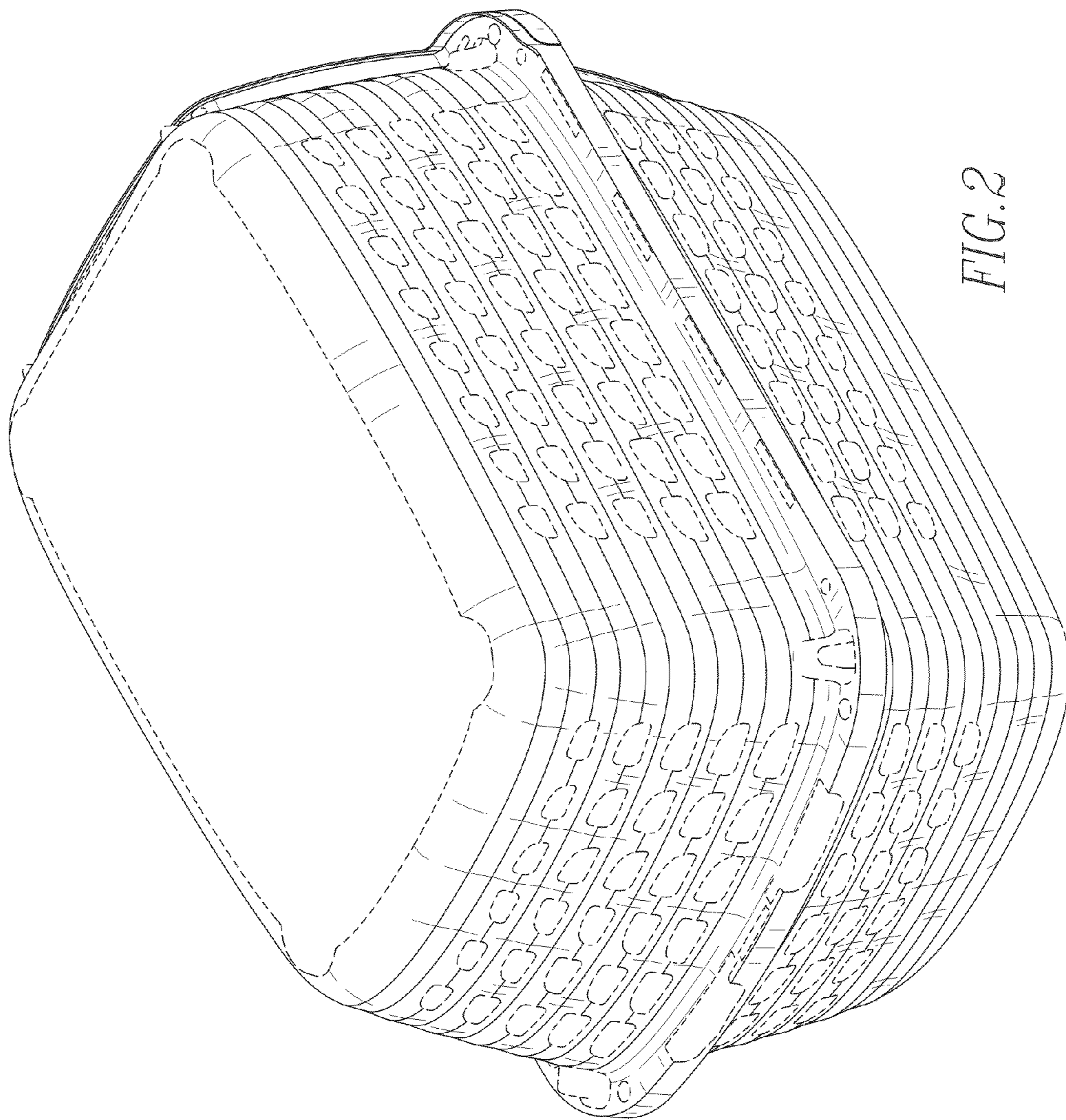


FIG. 2

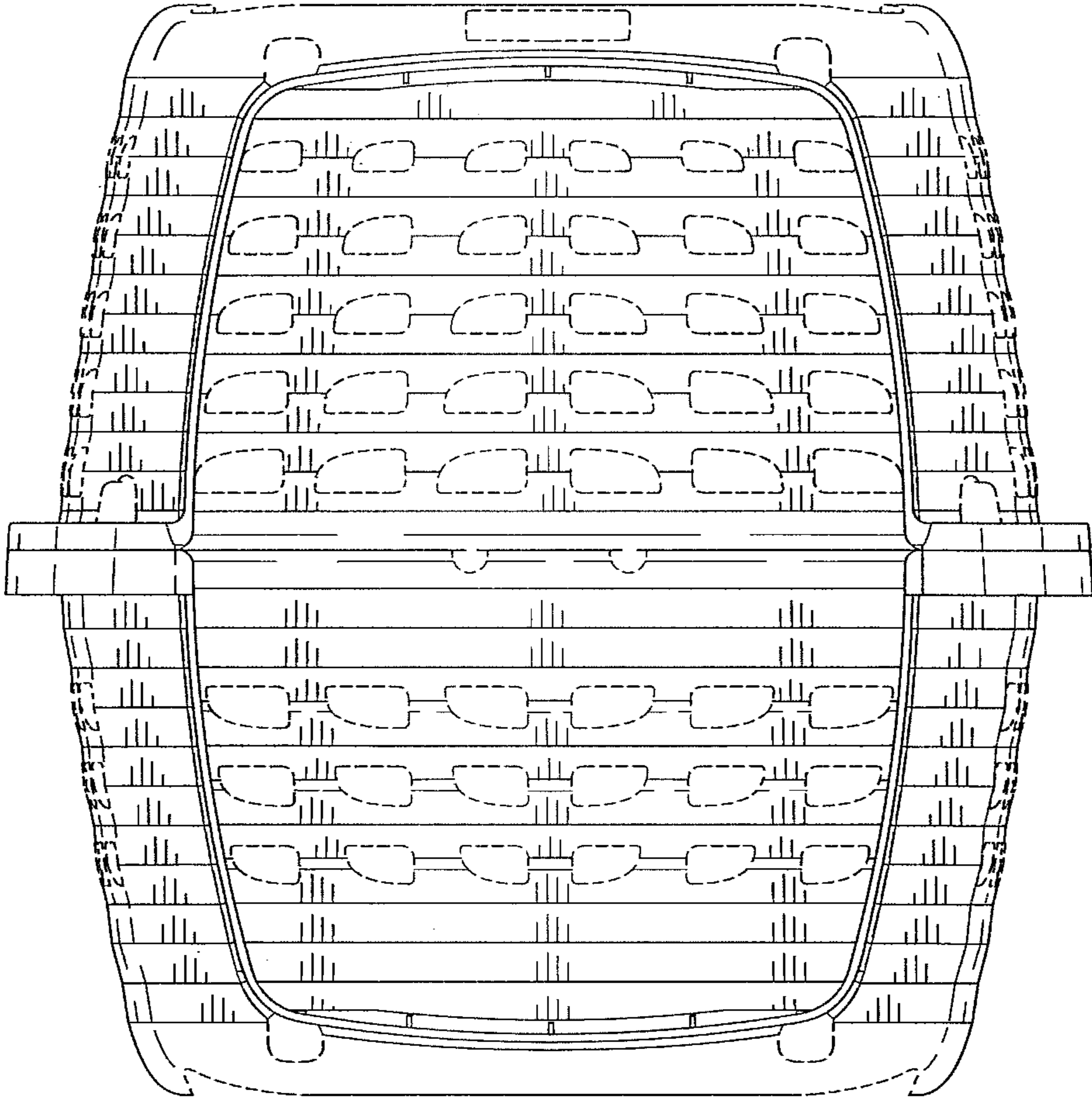


FIG. 3

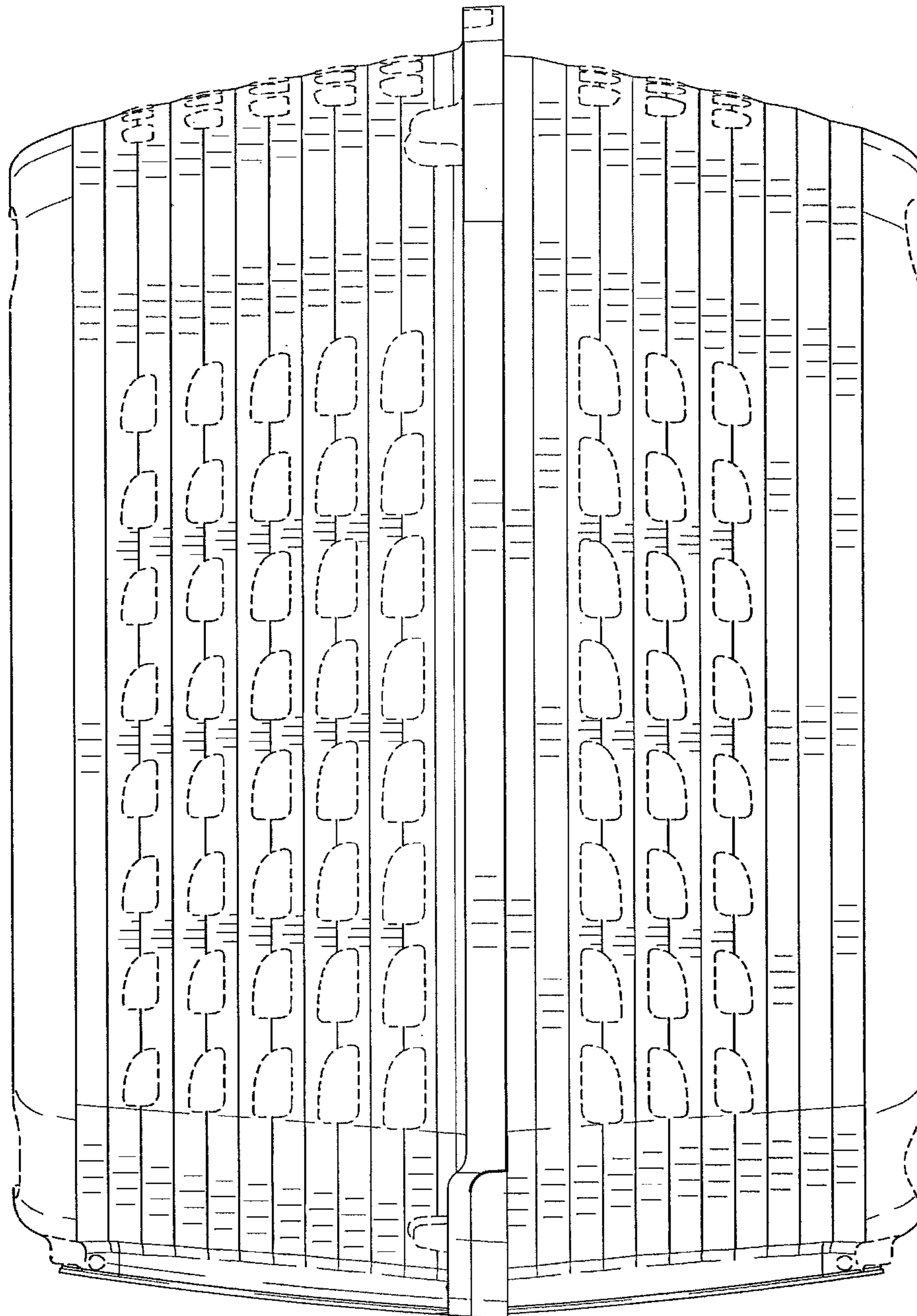


FIG. 4

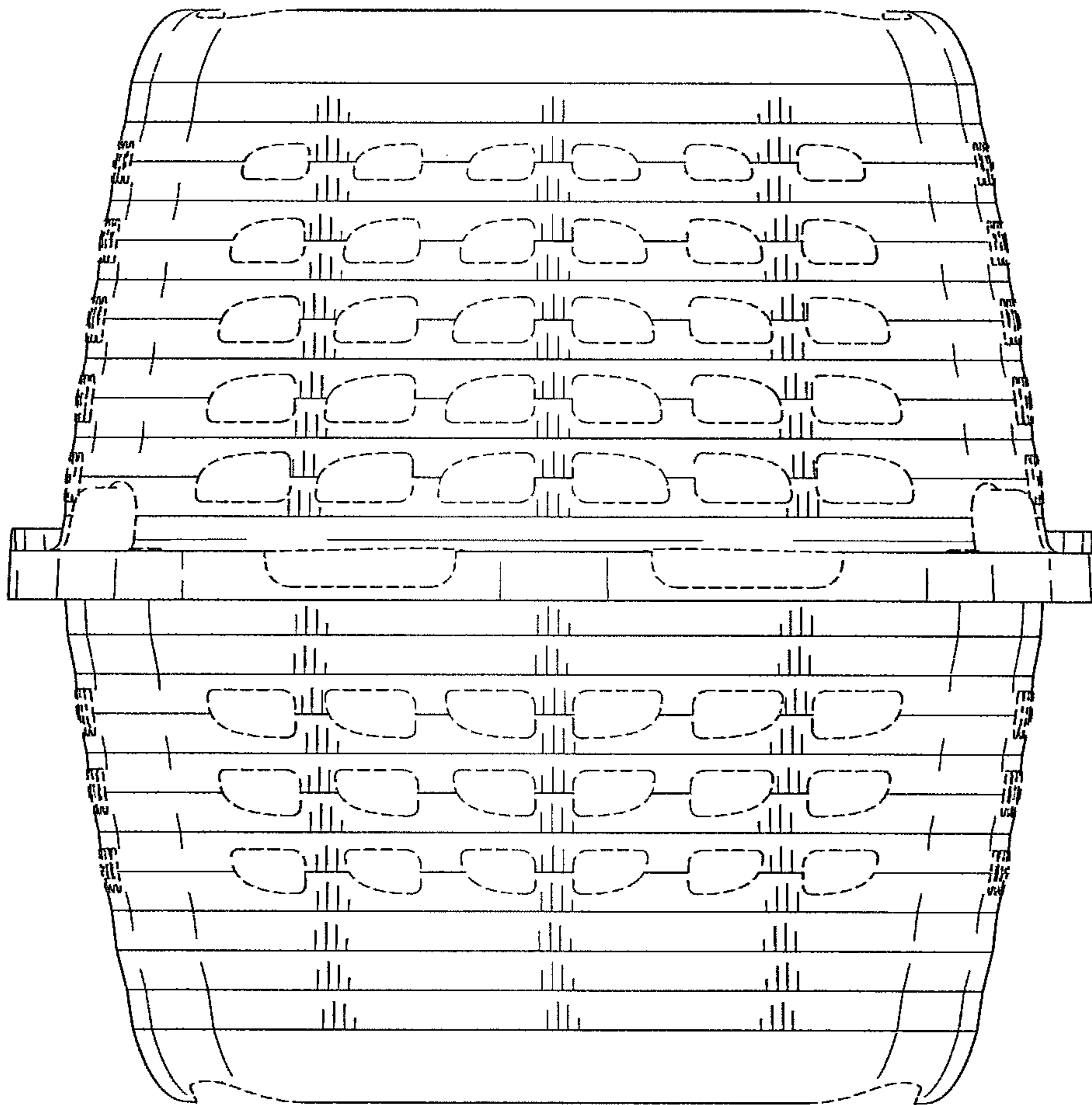


FIG. 5

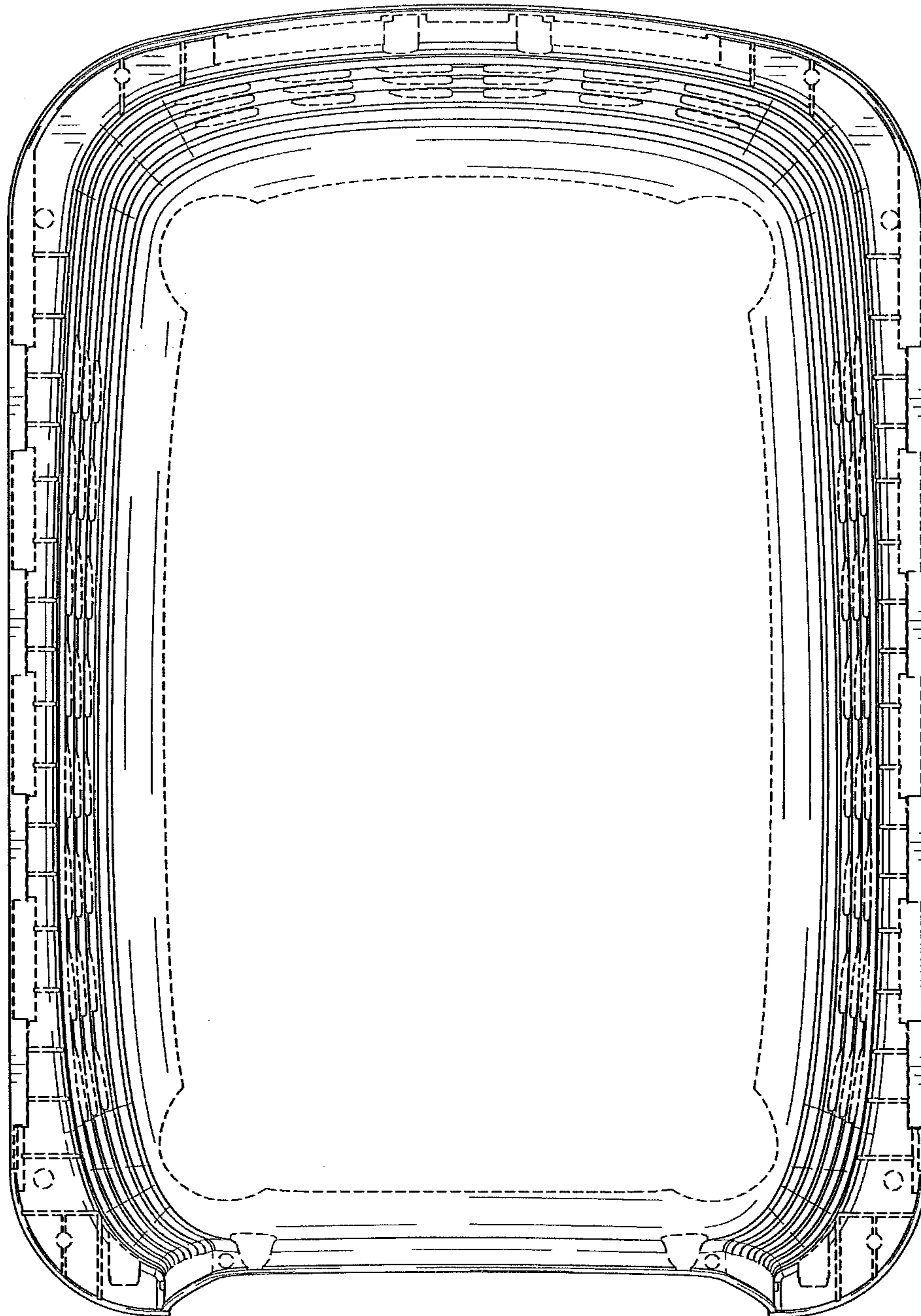


FIG. 6

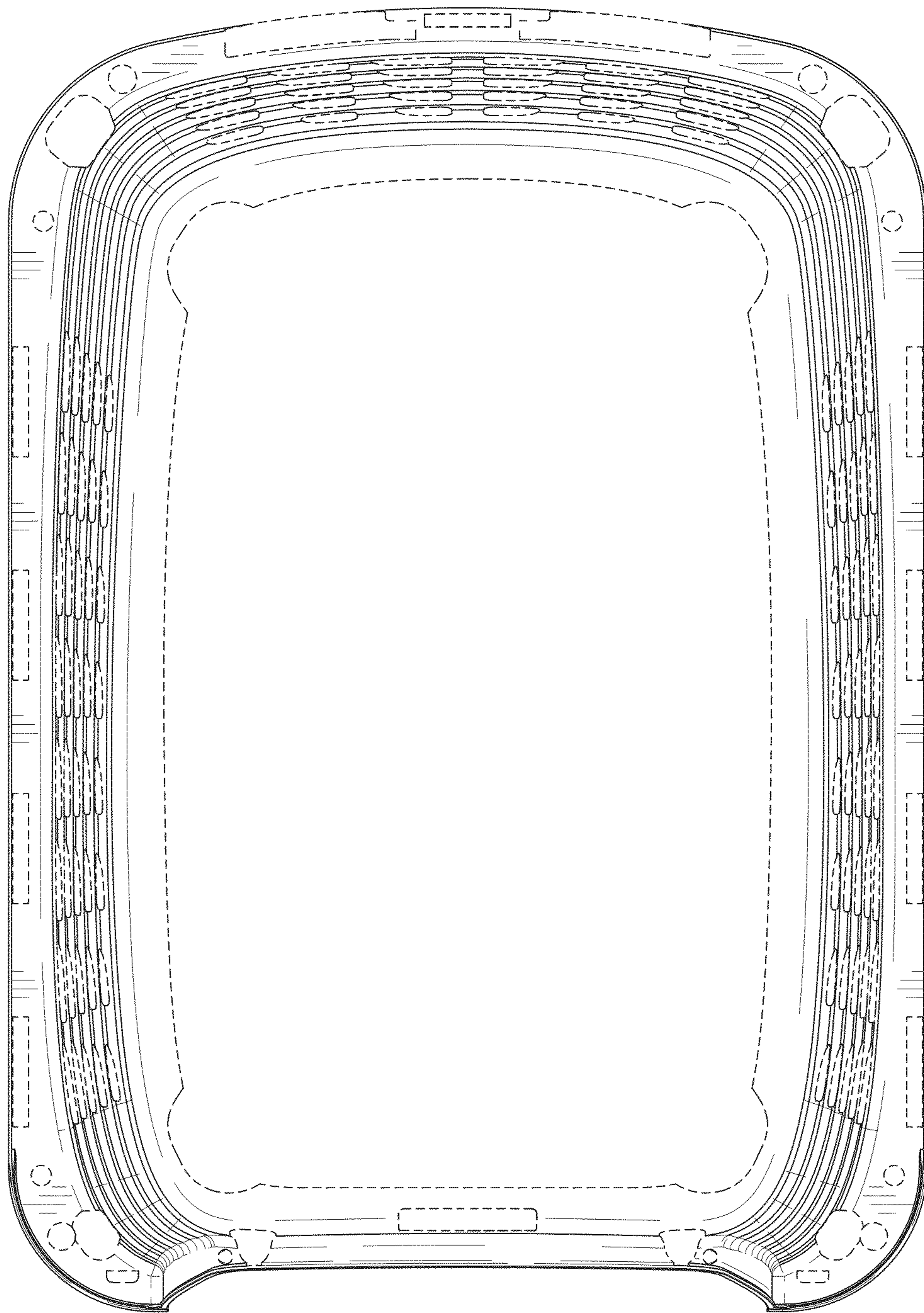


FIG. 7

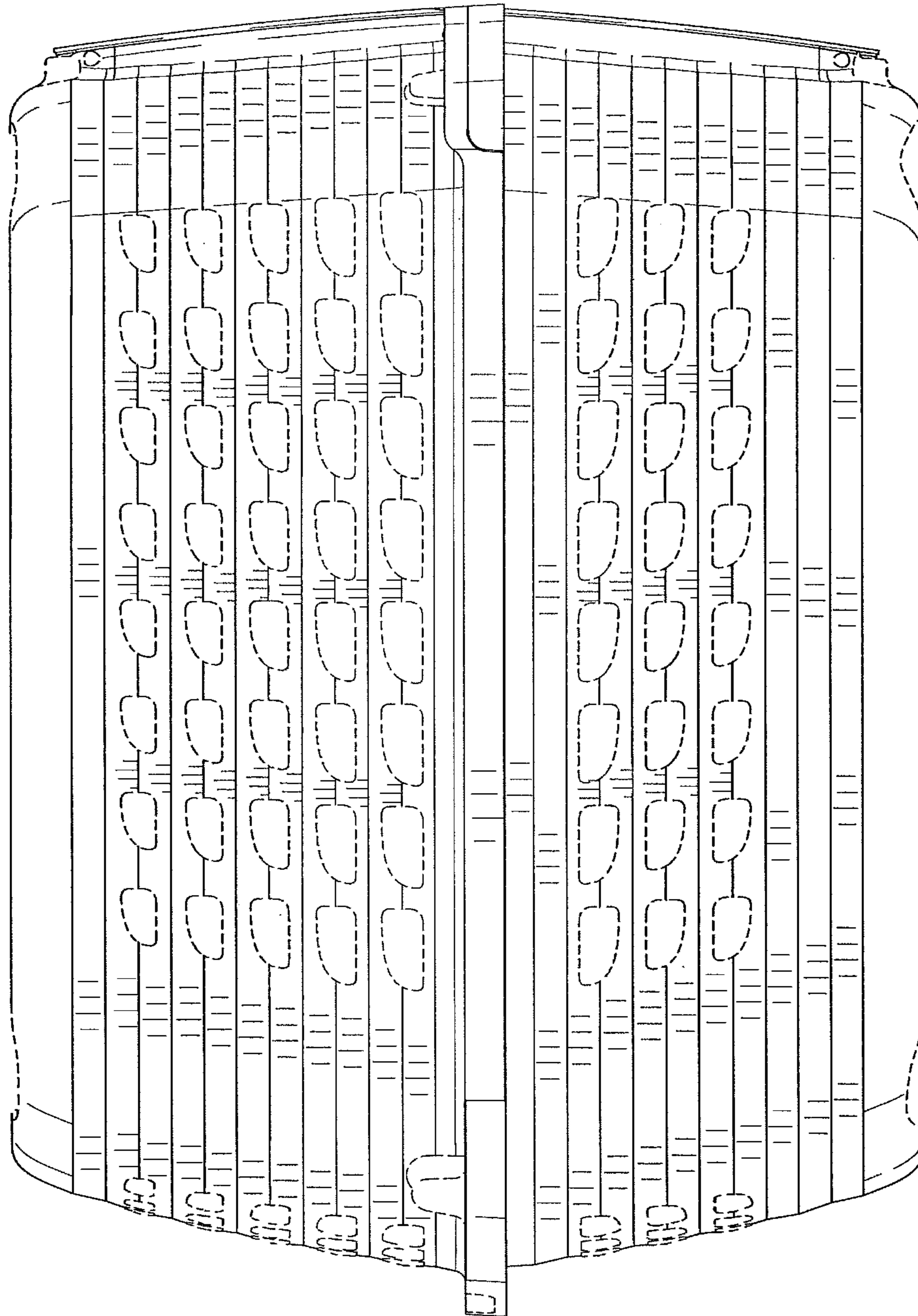


FIG. 8