



US00D705993S

(12) **United States Design Patent**
Goswell

(10) **Patent No.:** **US D705,993 S**

(45) **Date of Patent:** **** May 27, 2014**

(54) **MASCARA APPLICATOR**

(75) Inventor: **Rebecca Goswell**, Richmond (GB)

(73) Assignee: **HCT Europe Limited**, London (GB)

(**) Term: **14 Years**

(21) Appl. No.: **29/416,441**

(22) Filed: **Mar. 22, 2012**

(30) **Foreign Application Priority Data**

Sep. 22, 2011 (EM) 001300370-0002

(51) **LOC (10) Cl.** **28-03**

(52) **U.S. Cl.**
USPC **D28/76; D9/504**

(58) **Field of Classification Search**
USPC D28/76-77; D9/503-505, 551, 564;
132/218, 317; 401/126-130
See application file for complete search history.

(56) **References Cited**

U.S. PATENT DOCUMENTS

D415,859 S * 10/1999 Gobe D28/76
D416,356 S * 11/1999 Denham et al. D28/76
D436,232 S * 1/2001 Denham et al. D28/76
D496,758 S * 9/2004 Stohr D28/76

D517,243 S * 3/2006 Martinez D28/76
D524,488 S * 7/2006 Bouix et al. D28/76
D535,441 S * 1/2007 Maddy D28/76

* cited by examiner

Primary Examiner — Jennifer Rivard

(74) *Attorney, Agent, or Firm* — Abelman, Frayne & Schwab

(57) **CLAIM**

The ornamental design for a mascara applicator, as shown and described herein.

DESCRIPTION

FIG. 1 is a front view of a mascara applicator in a first opened position, according to the present invention;

FIG. 2 is a front view of the mascara applicator of FIG. 1 in a second opened position;

FIG. 3 is a left side view of the mascara applicator of FIG. 1 in a closed position;

FIG. 4 is a right side view of the mascara applicator of FIG. 1 in a closed position;

FIG. 5 is a rear view of the mascara applicator of FIG. 1 in a closed position; and,

FIG. 6 is a top view of the mascara applicator of FIG. 1.

The broken lines showing an applicator tip and an applicator brush illustrate the environment of the mascara applicator and form no part of the claimed design.

1 Claim, 6 Drawing Sheets



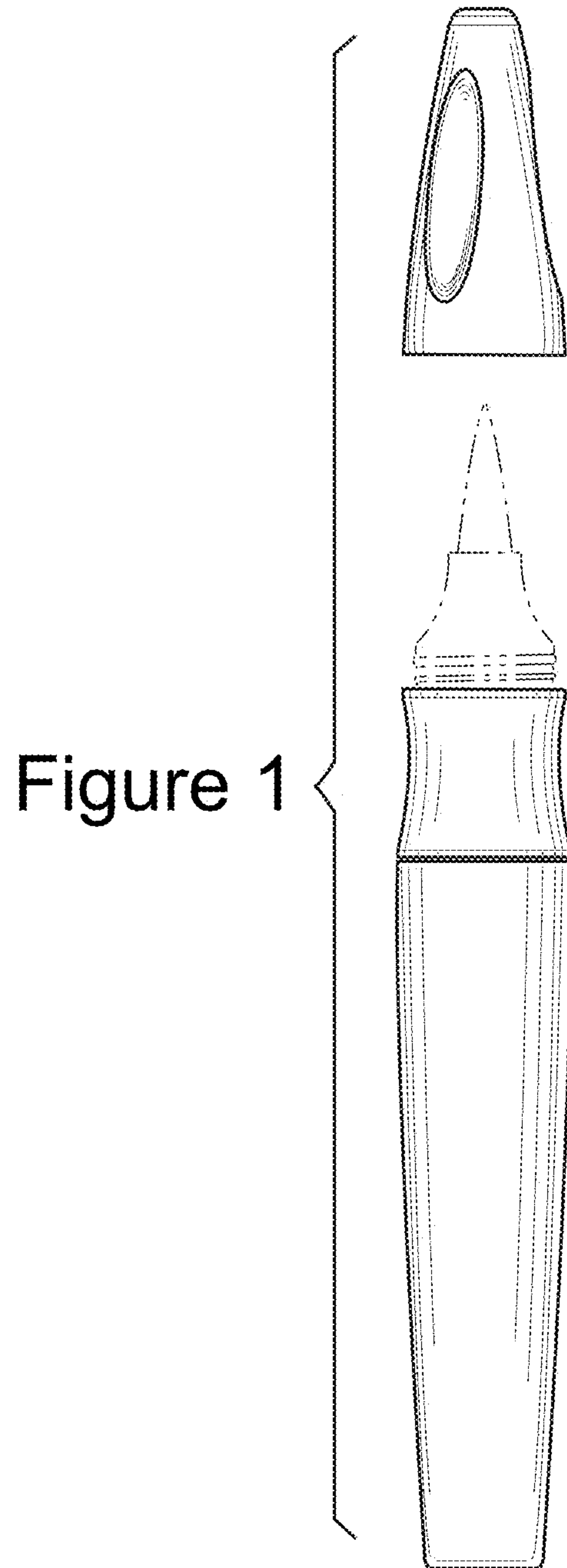


Figure 2

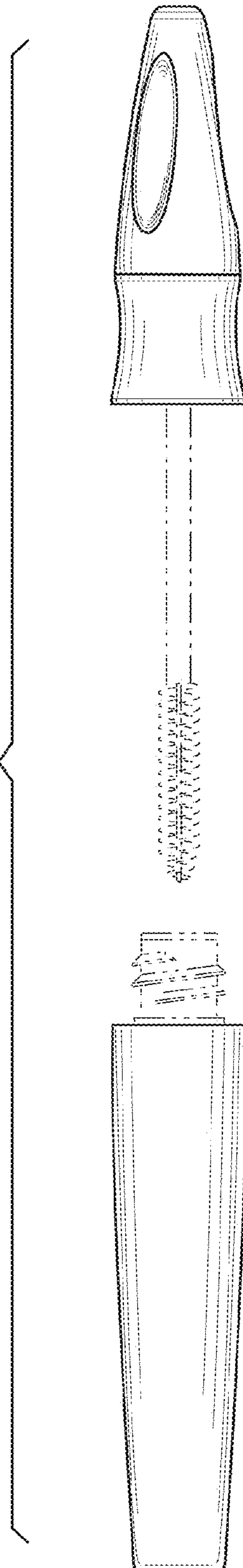


Figure 3

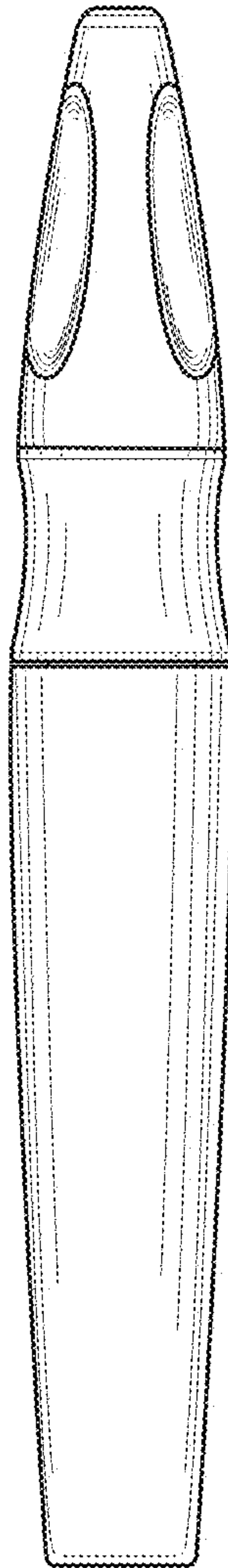


Figure 4

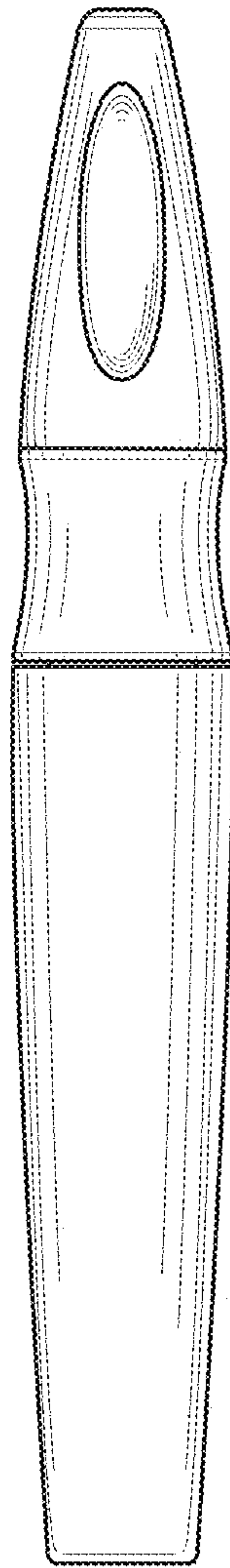


Figure 5

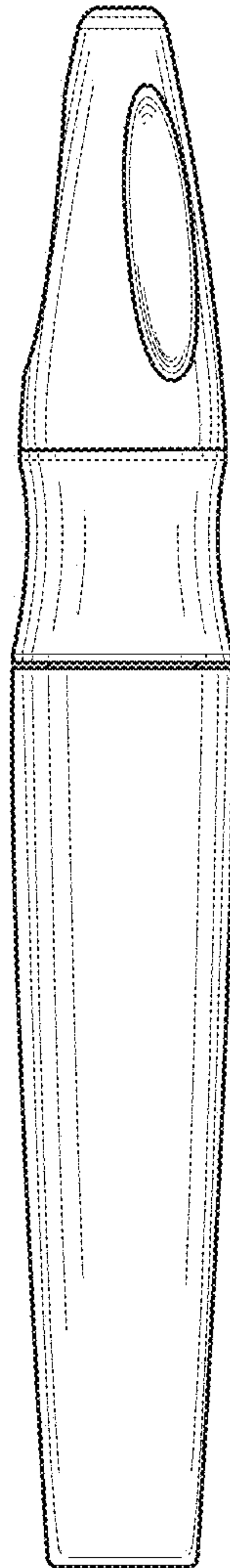


Figure 6

