



US00D705991S

(12) **United States Design Patent**  
**Iwegbu**

(10) **Patent No.:** **US D705,991 S**

(45) **Date of Patent:** **\*\* May 27, 2014**

(54) **HAIR REMOVAL DEVICE**

(71) Applicant: **Natasha Iwegbu**, Washington, DC (US)

(72) Inventor: **Natasha Iwegbu**, Washington, DC (US)

(\*\*) Term: **14 Years**

(21) Appl. No.: **29/448,757**

(22) Filed: **Mar. 13, 2013**

(51) **LOC (10) Cl.** ..... **28-03**

(52) **U.S. Cl.**  
USPC ..... **D28/44.1**

(58) **Field of Classification Search**  
USPC ..... D28/44, 44.1; D24/133, 146, 144;  
606/131, 133  
See application file for complete search history.

(56) **References Cited**

**U.S. PATENT DOCUMENTS**

5,951,573	A *	9/1999	Yashar	.....	606/133
D582,096	S *	12/2008	Sun et al.	.....	D28/44.1
D632,844	S *	2/2011	Sun	.....	D28/44.1
D645,201	S *	9/2011	Levi	.....	D28/44
8,506,579	B1 *	8/2013	Bareli et al.	.....	606/133

2008/0287964	A1 *	11/2008	Sun et al.	.....	606/133
2012/0143214	A1 *	6/2012	Iwegbu	.....	606/133
2013/0325037	A1 *	12/2013	Siwiec	.....	606/133

\* cited by examiner

*Primary Examiner* — Jennifer Rivard

(74) *Attorney, Agent, or Firm* — Maier & Maier, PLLC

(57) **CLAIM**

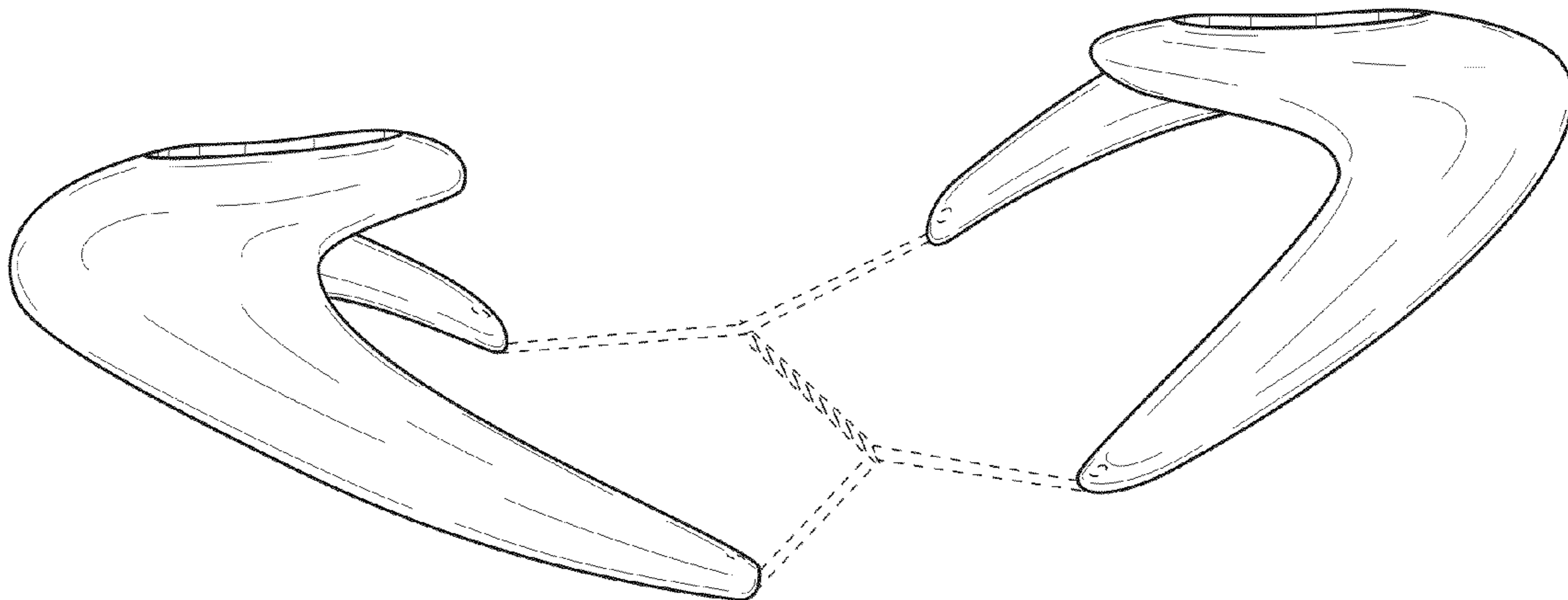
The ornamental design for a hair removal device, as shown and described.

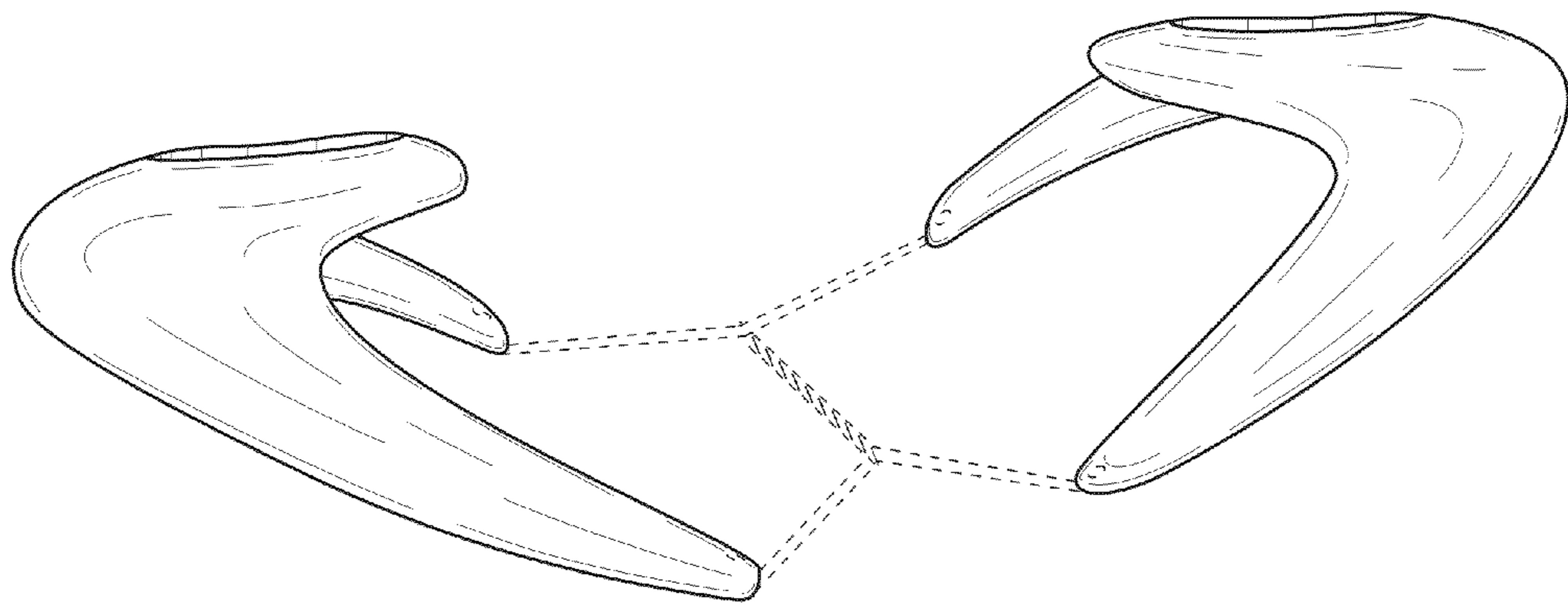
**DESCRIPTION**

FIG. 1 is a perspective view of a hair removal device, showing my design;  
FIG. 2 is a top plan view thereof;  
FIG. 3 is a bottom plan view thereof;  
FIG. 4 is a front elevational view thereof, the rear elevational view being the same;  
FIG. 5 is a right side elevational view thereof; and,  
FIG. 6 is a left side elevational view thereof.

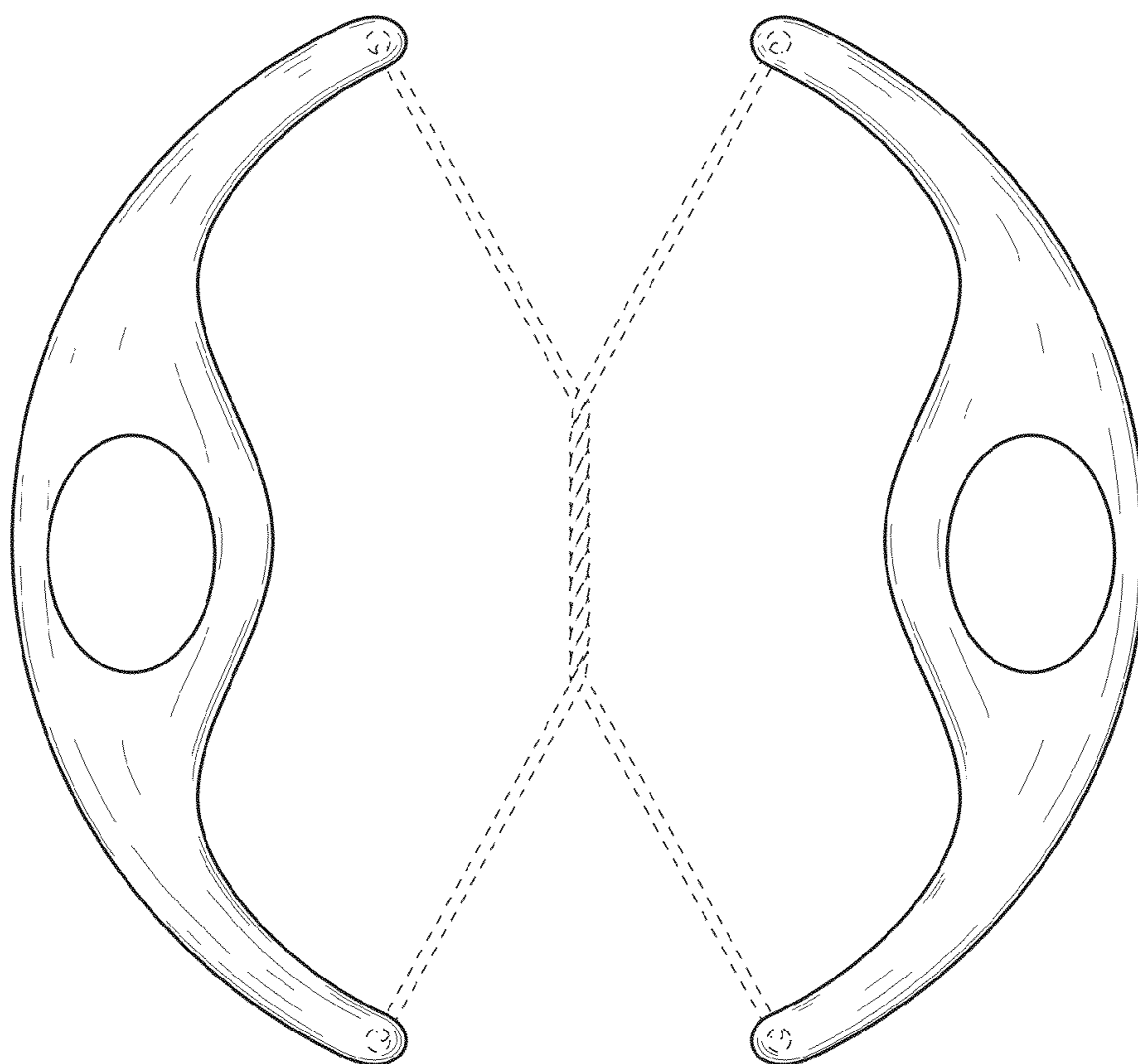
The broken line showing in the drawings is included for the purpose of illustrating portions of the hair removal device and forms no part of the claimed design.

**1 Claim, 4 Drawing Sheets**

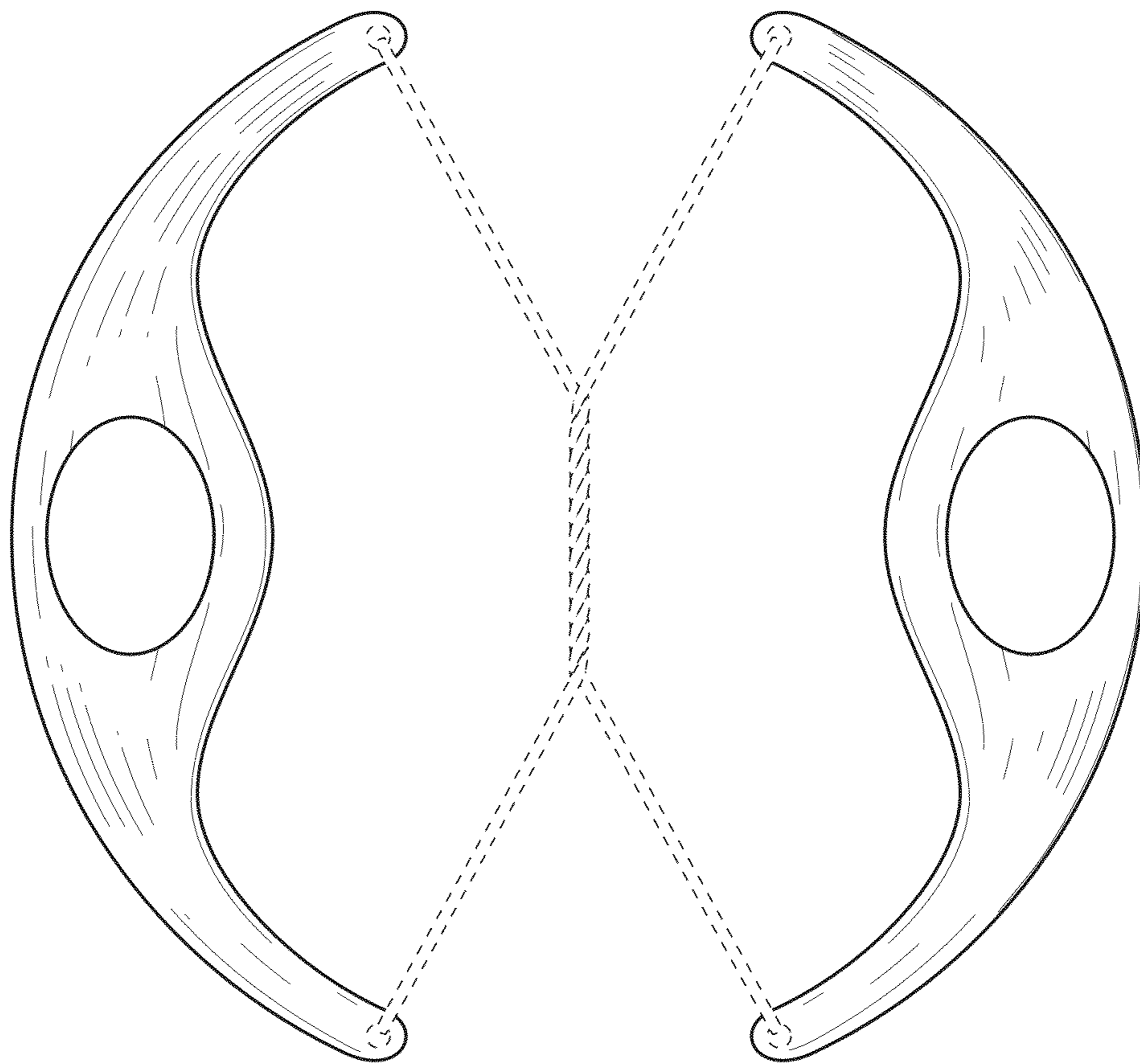




*Fig. 1*



*Fig. 2*



*Fig. 3*

