



US00D705989S

(12) **United States Design Patent**  
**Levi et al.**

(10) **Patent No.:** **US D705,989 S**  
(45) **Date of Patent:** **\*\* May 27, 2014**

- (54) **HAIR REMOVAL DEVICE**
- (71) Applicants: **BenZion Levi**, Kibbutz Habonim (IL);  
**Moshe Marciano**, Galya (IL)
- (72) Inventors: **BenZion Levi**, Kibbutz Habonim (IL);  
**Moshe Marciano**, Galya (IL)
- (73) Assignee: **Home Skinovations Ltd.**, Yokneam (IL)
- (\*\*) Term: **14 Years**
- (21) Appl. No.: **29/443,111**
- (22) Filed: **Jan. 14, 2013**
- (51) **LOC (10) Cl.** ..... **28-03**
- (52) **U.S. Cl.**  
USPC ..... **D28/44.1**; D24/209; D24/133
- (58) **Field of Classification Search**  
USPC ..... D28/44.1, 44; D24/133, 146, 209, 210;  
606/9, 133, 131; 601/15, 17; 607/88  
See application file for complete search history.

- D602,200 S \* 10/2009 Pichon ..... D28/40
- D608,052 S \* 1/2010 Beedham ..... D28/44.1
- D627,102 S \* 11/2010 Leventhal et al. .... D28/48
- D650,526 S \* 12/2011 Kling ..... D28/44.1
- D662,660 S \* 6/2012 Byun ..... D28/44.1
- D665,128 S \* 8/2012 Kling et al. .... D28/44.1
- 2008/0119913 A1 \* 5/2008 Powell et al. .... 607/88

\* cited by examiner

*Primary Examiner* — Jennifer Rivard  
(74) *Attorney, Agent, or Firm* — Dekel Patent Ltd.; David Klein

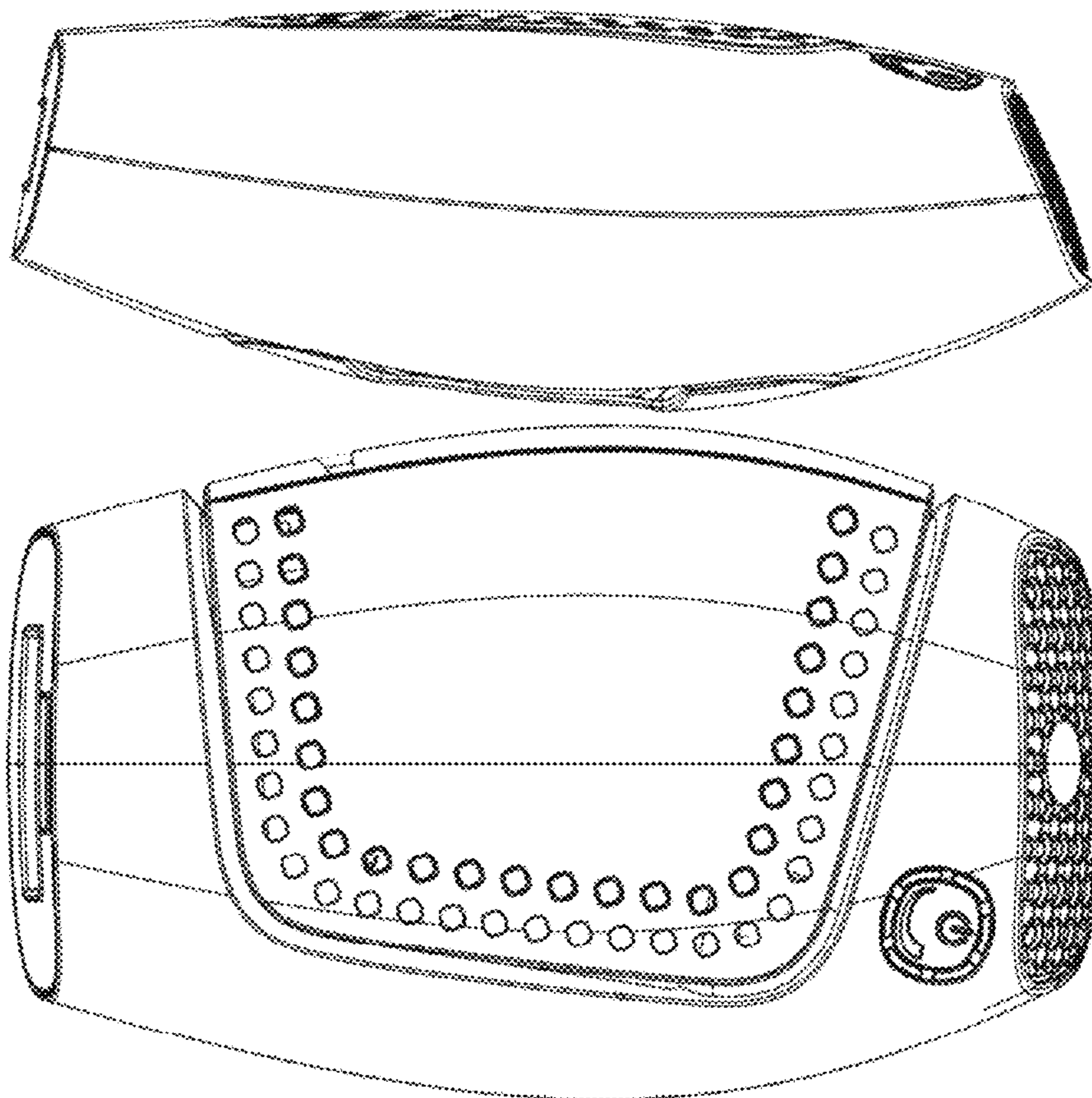
(57) **CLAIM**  
The ornamental design for a hair removal device, as shown and described.

**DESCRIPTION**

FIG. 1 is a top view of a hair removal device, showing my new design;  
FIG. 2 is a front view thereof;  
FIG. 3 is a side view thereof;  
FIG. 4 is a rear view thereof; and,  
FIG. 5 is a bottom view thereof.  
The nature and intended use of the article in which the design is embodied is that of a light energy depilatory device that glides over the skin for hair removal.

**1 Claim, 3 Drawing Sheets**

- (56) **References Cited**  
U.S. PATENT DOCUMENTS  
D425,199 S \* 5/2000 Muramatsu ..... D24/133  
D507,378 S \* 7/2005 Cornelissen ..... D28/44.1



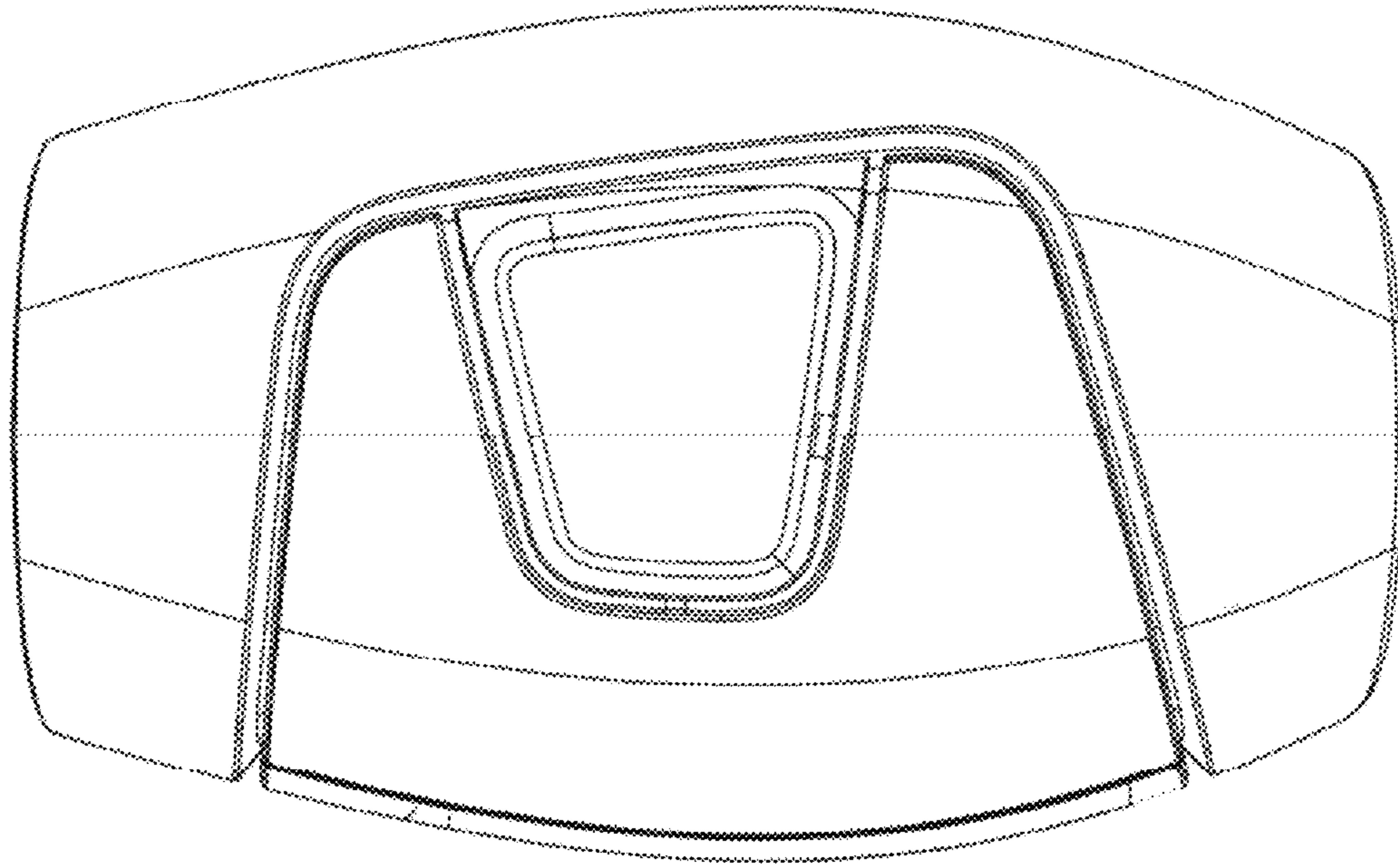


FIG. 1

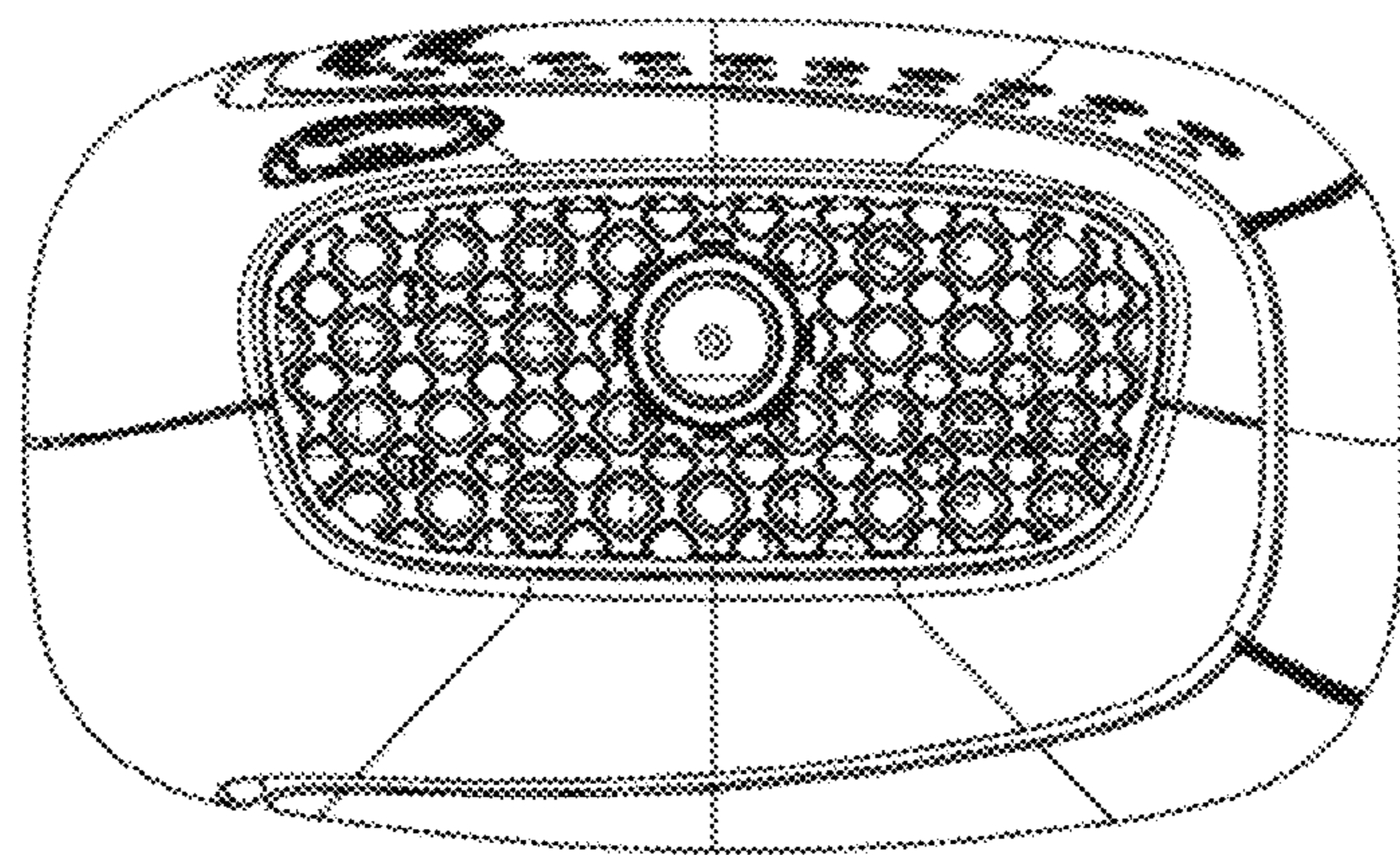


FIG. 2



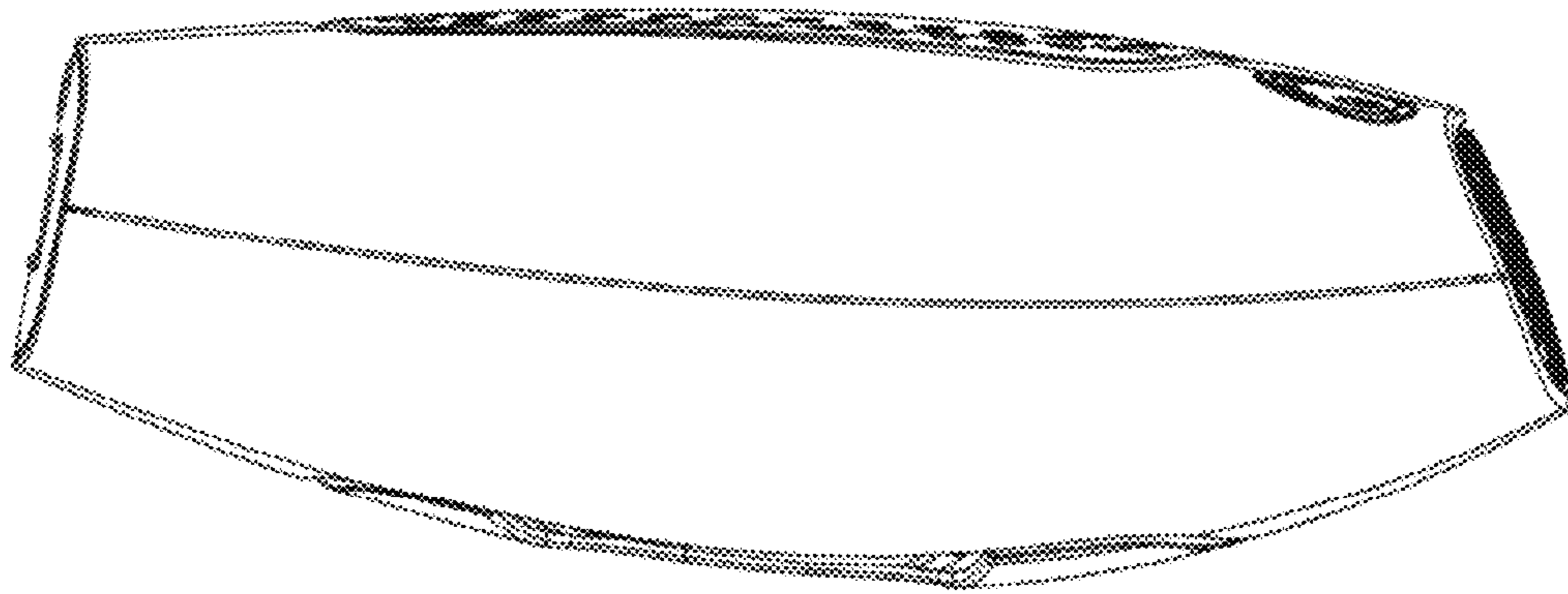


FIG. 3

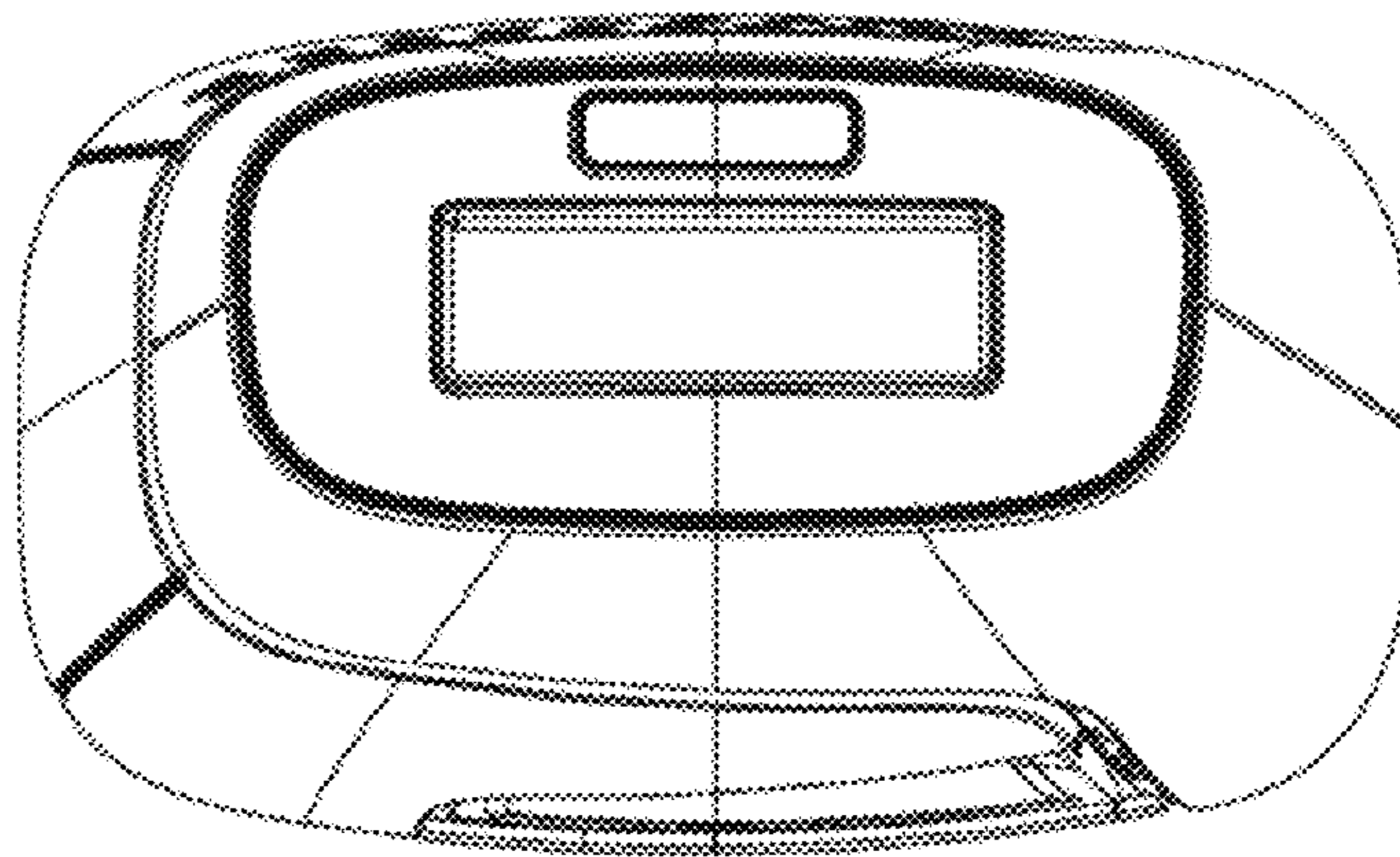


FIG. 4

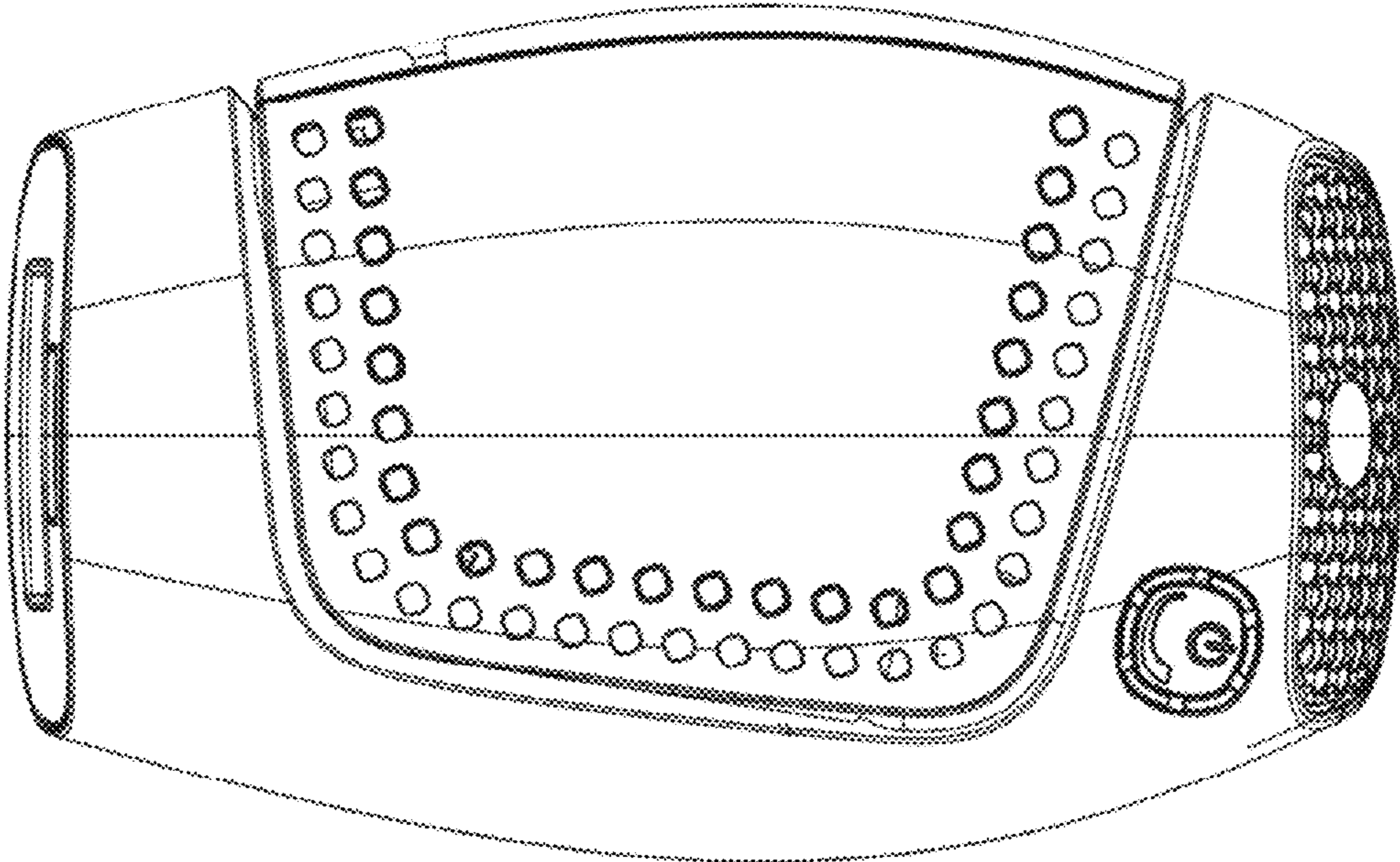


FIG. 5