



US00D705986S

(12) **United States Design Patent**
Pires et al.

(10) **Patent No.:** **US D705,986 S**

(45) **Date of Patent:** **** May 27, 2014**

(54) **COSMETIC PACKAGE**

D686,366 S * 7/2013 Ruiz et al. D28/7
D686,367 S * 7/2013 Ruiz et al. D28/7
D696,816 S * 12/2013 Kordulla et al. D28/7

(71) Applicant: **Zen Design Solutions Limited**, Kowloon (CN)

* cited by examiner

(72) Inventors: **Leo Clifford Pires**, Basking Ridge, NJ (US); **Roger Hwang**, Maple (CA)

Primary Examiner — Zenia Bennett

(74) *Attorney, Agent, or Firm* — Patterson & Sheridan, LLP

(73) Assignee: **Zen Design Solutions Limited**, Tsim Sha Tsui, Kowloon (HK)

(57) **CLAIM**

The ornamental design for a “cosmetic package,” as shown and described.

(**) Term: **14 Years**

DESCRIPTION

(21) Appl. No.: **29/452,568**

(22) Filed: **Apr. 18, 2013**

(51) **LOC (10) Cl.** **28-02**

(52) **U.S. Cl.**
USPC **D28/7**

(58) **Field of Classification Search**
USPC D28/7, 8, 20–22, 30–31, 76, 85, 99;
132/108, 202, 208, 317.32;
401/202–207, 261–267; D4/132–135;
D24/119

See application file for complete search history.

FIG. 1 illustrates a front view of a cosmetic package showing our new design; a rear view, a left side view and a right side view of the cosmetic package being same as the front view; FIG. 2 is a top view of the cosmetic package of FIG. 1; FIG. 3 is a bottom view of the cosmetic package of FIG. 1; FIG. 4 is an enlarged perspective view of the cosmetic package of FIG. 1 showing the claimed part and its surroundings; FIG. 5 is a partially exploded front view of the cosmetic package of FIG. 1 with an upper applicator removed; FIG. 6 is a front view of the cosmetic package of FIG. 5 without the upper applicator; a rear view, a left side view and a right side view of the cosmetic package of FIG. 6 being same as the front view of the cosmetic package of FIG. 6; FIG. 7 is a top view of the cosmetic package of FIG. 6; FIG. 8 is a bottom view of the cosmetic package of FIG. 6; and, FIG. 9 is an enlarged partial perspective view of the cosmetic package of FIG. 6 showing the claimed part and its surroundings.

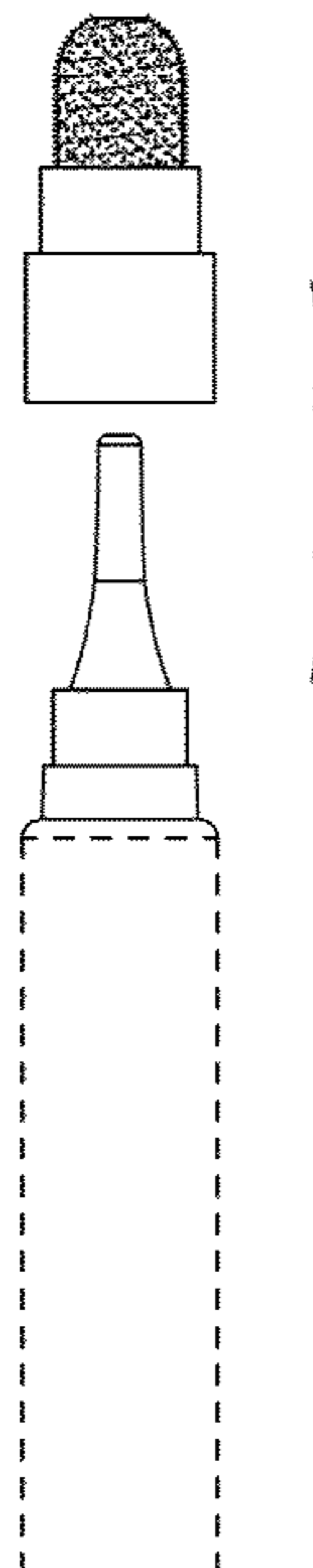
The broken lines shown in the drawings are included to show unclaimed environment only and form no part of the claimed design.

(56) **References Cited**

U.S. PATENT DOCUMENTS

4,459,059 A * 7/1984 Greenspan 401/117
6,234,181 B1 * 5/2001 Lou 132/313
6,626,600 B1 * 9/2003 Brand et al. 401/202
6,799,582 B2 * 10/2004 Kim 132/317
7,201,526 B2 * 4/2007 Tani 401/266
D664,251 S * 7/2012 Ruiz et al. D24/133
D671,260 S * 11/2012 Pires et al. D28/7

1 Claim, 7 Drawing Sheets



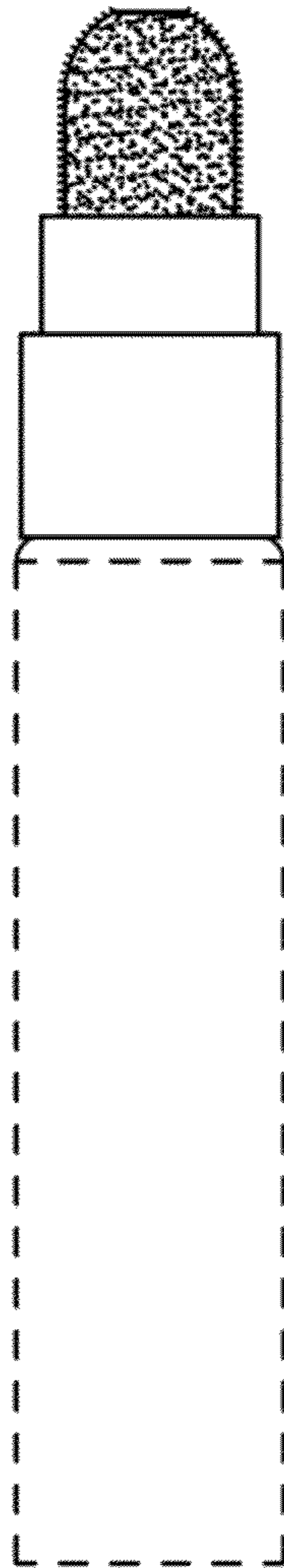


Fig. 1

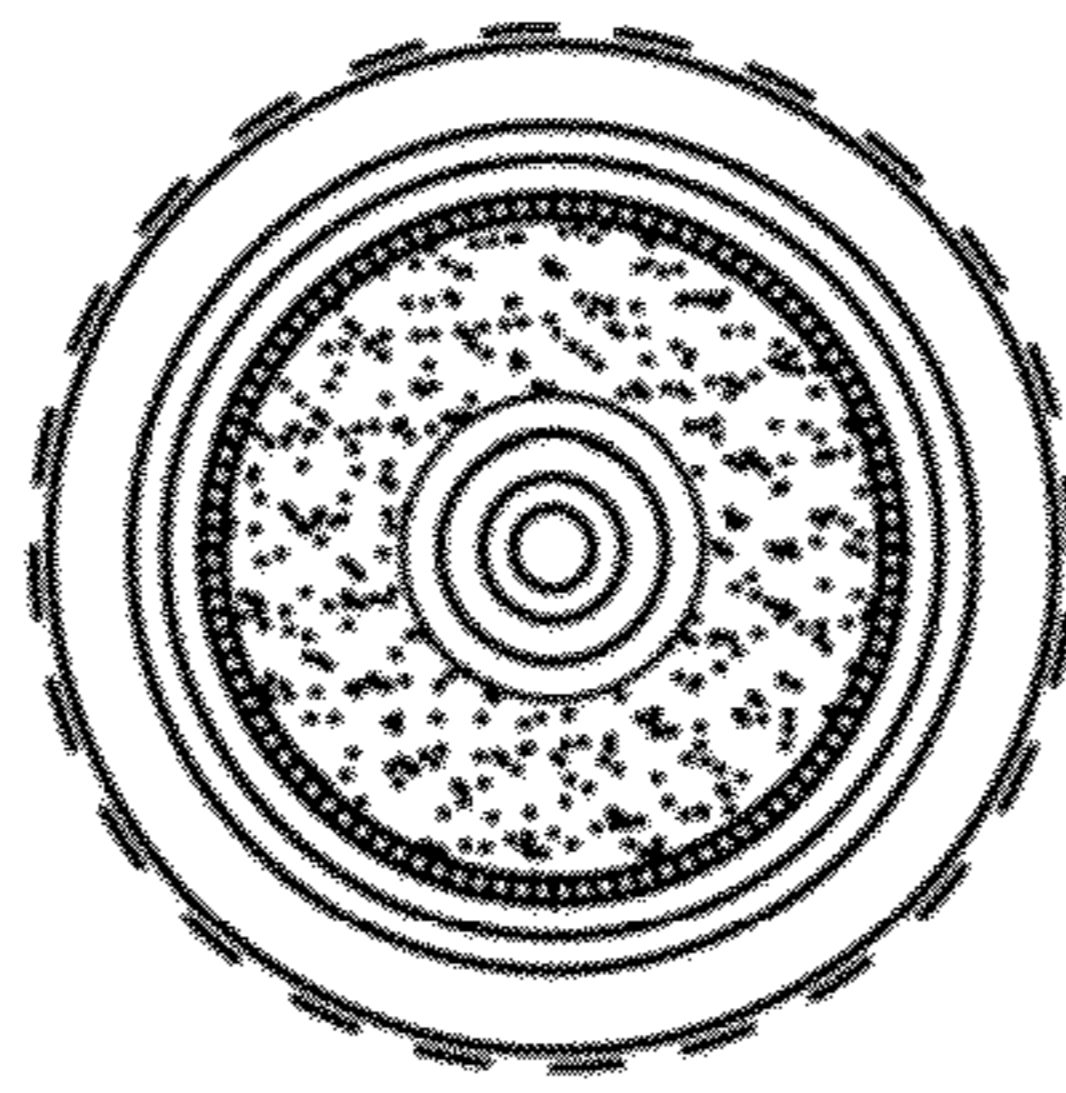


Fig. 2

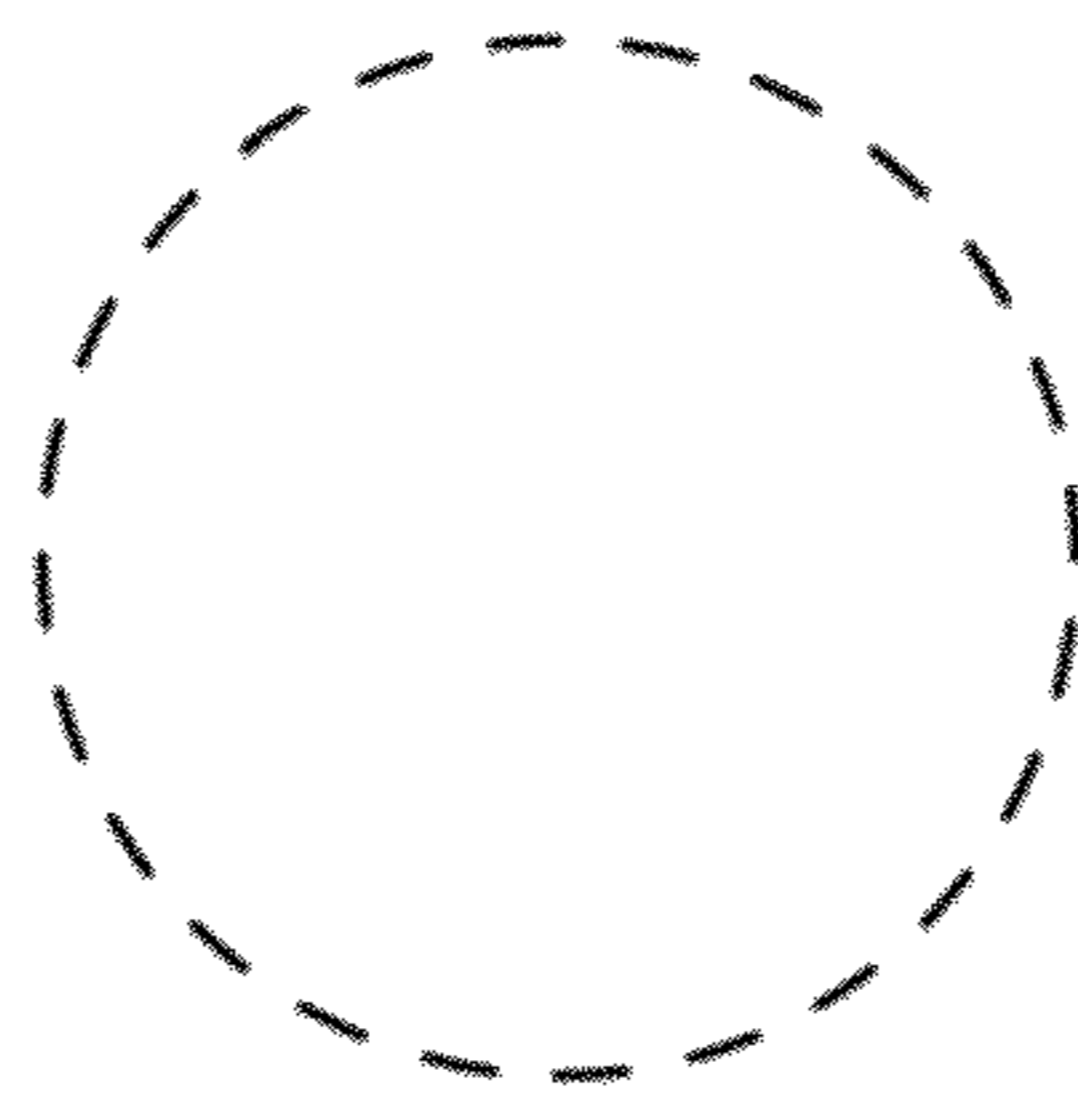


Fig. 3

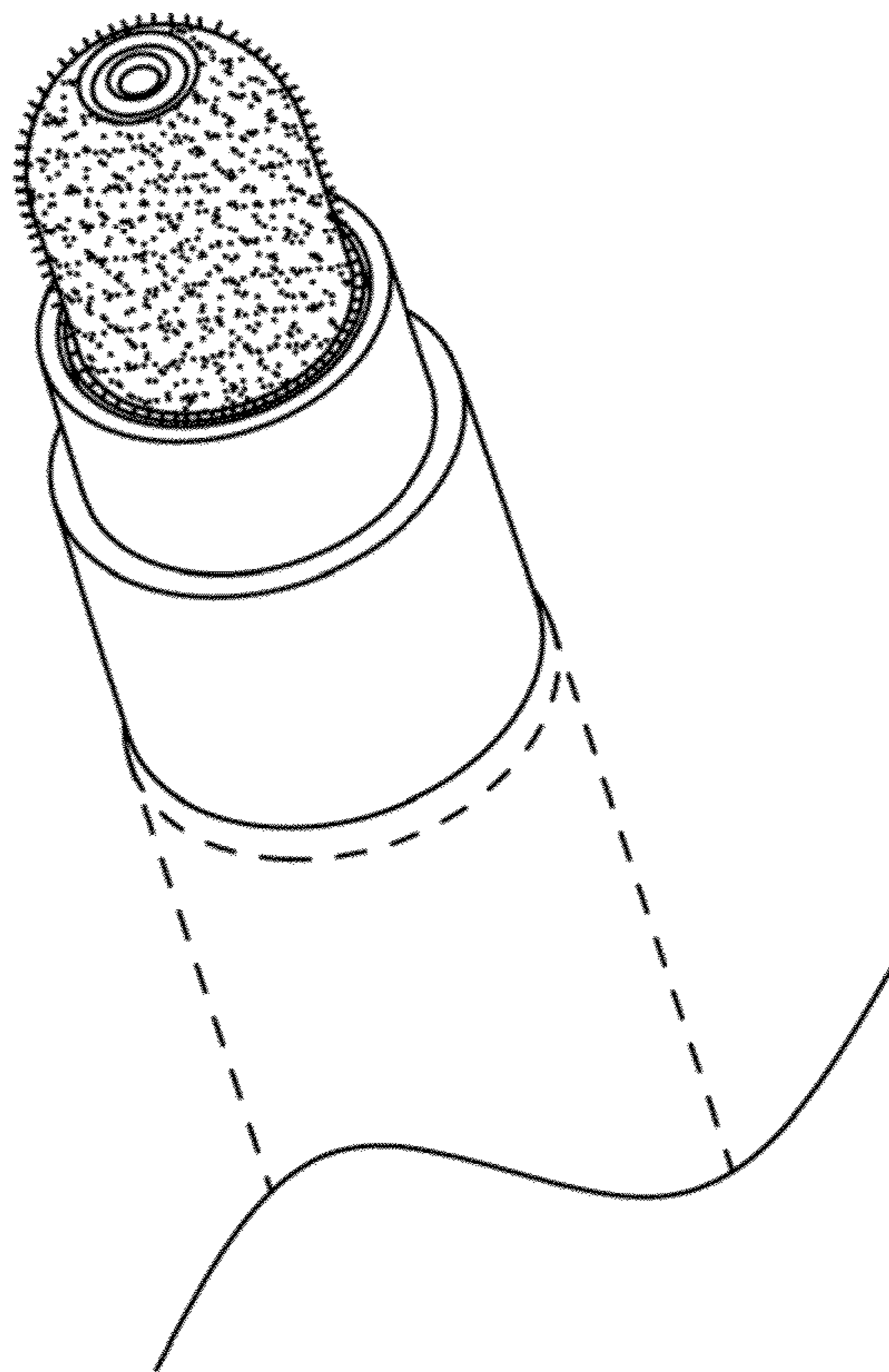


Fig. 4

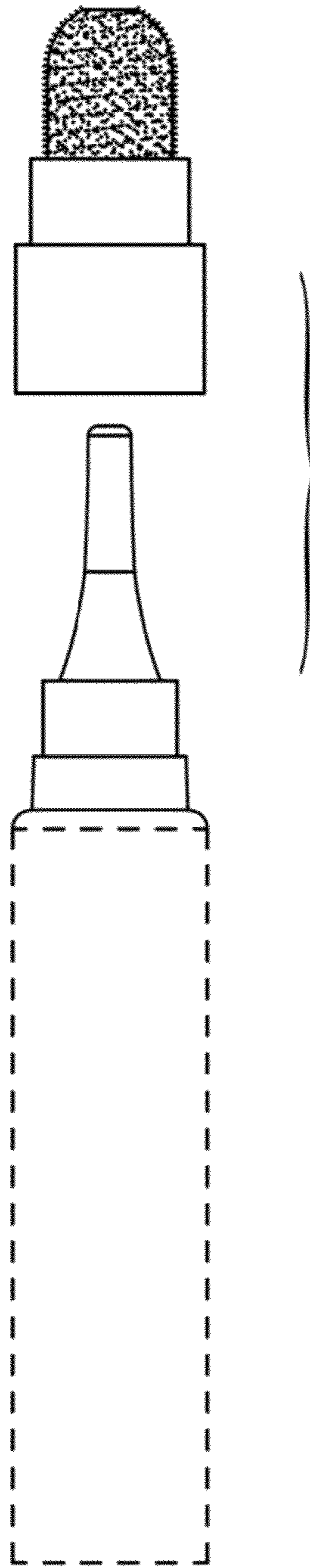


Fig. 5

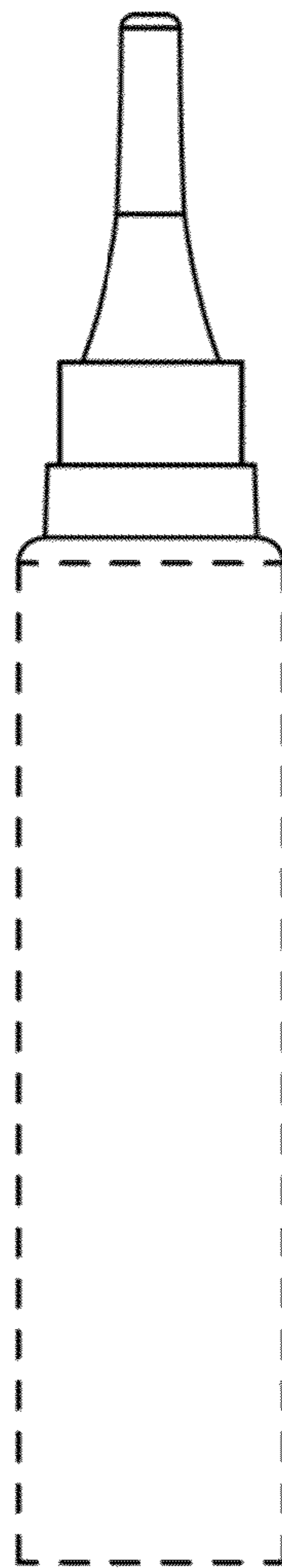


Fig. 6

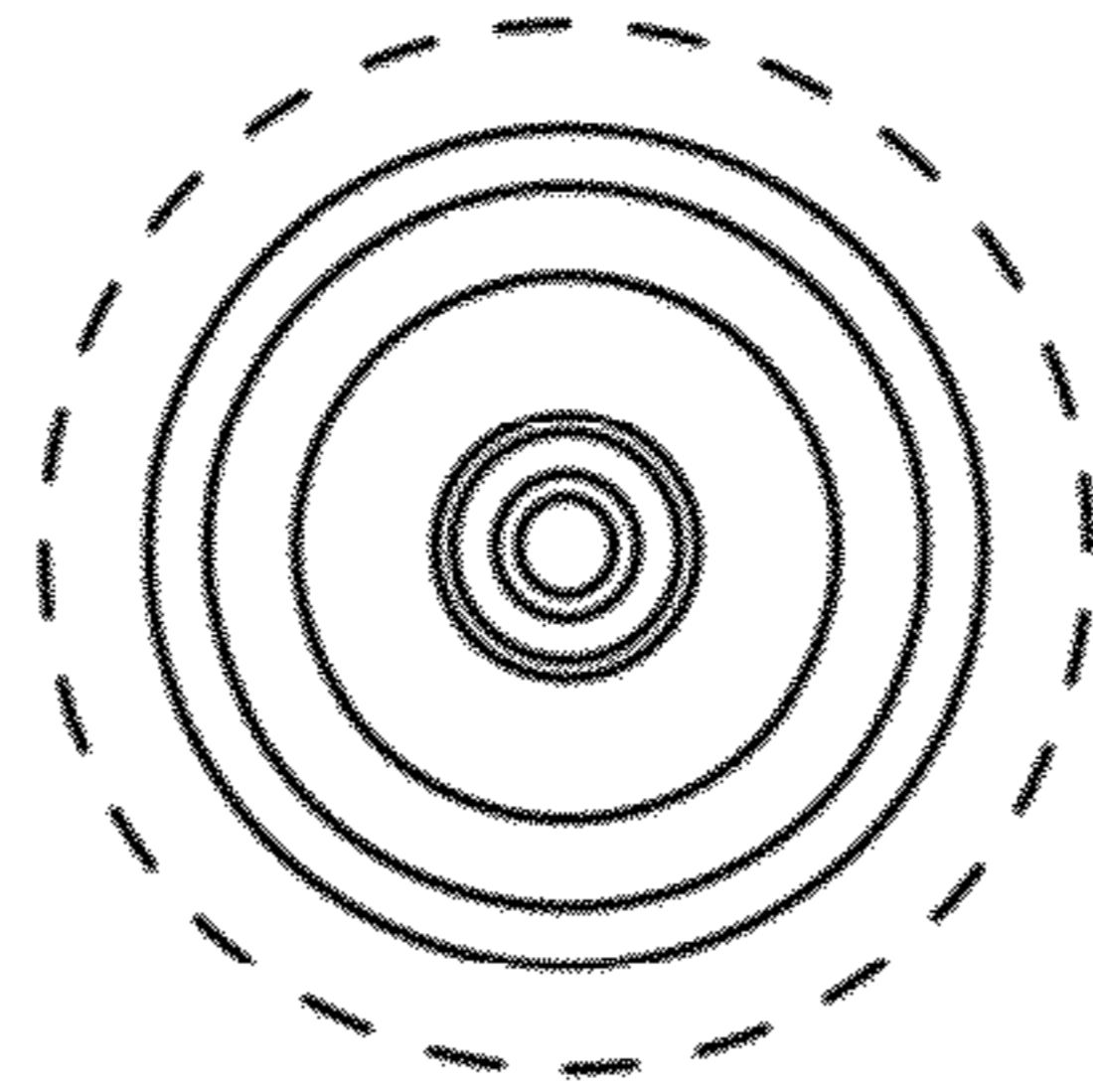


Fig. 7

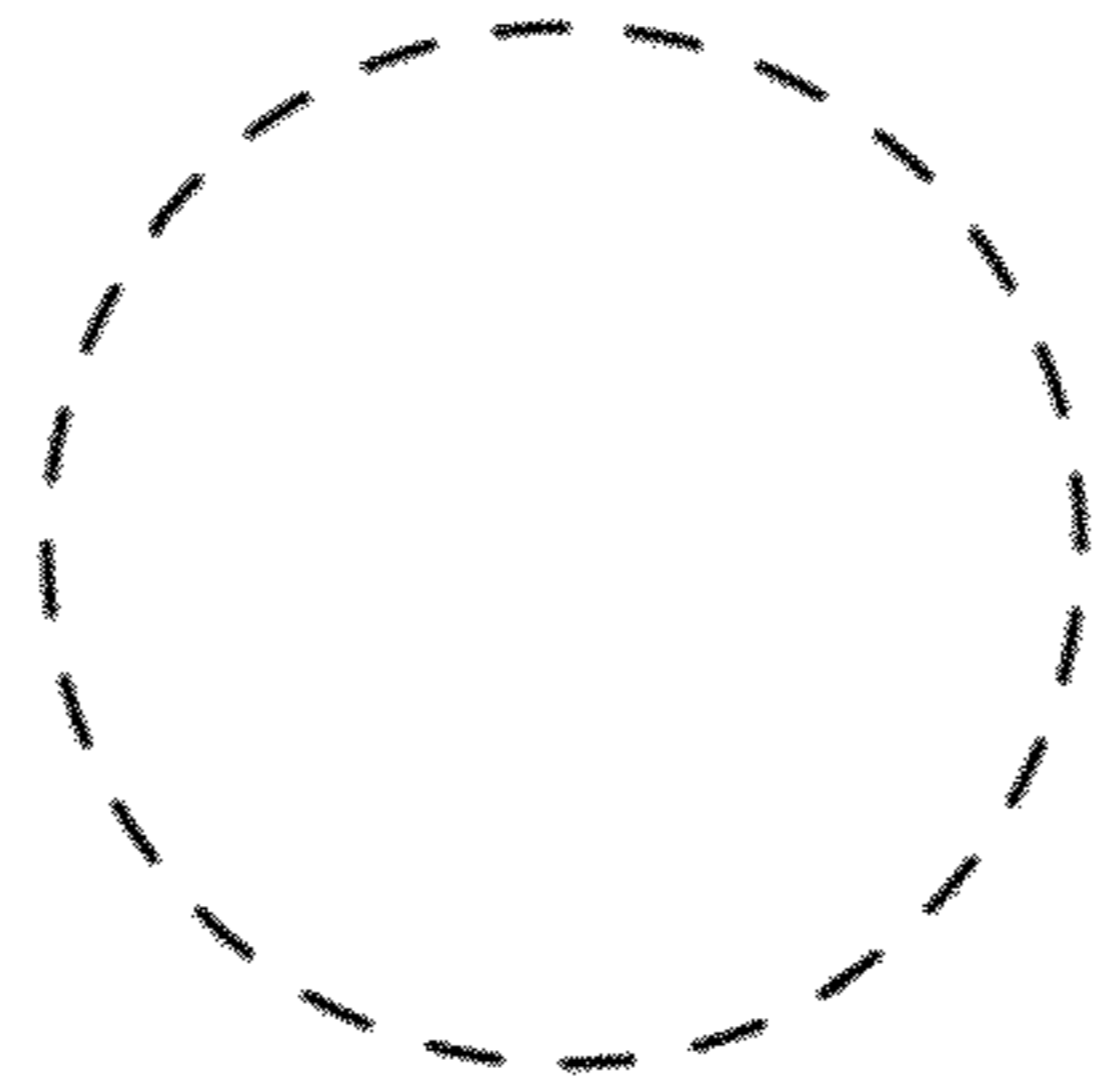


Fig. 8

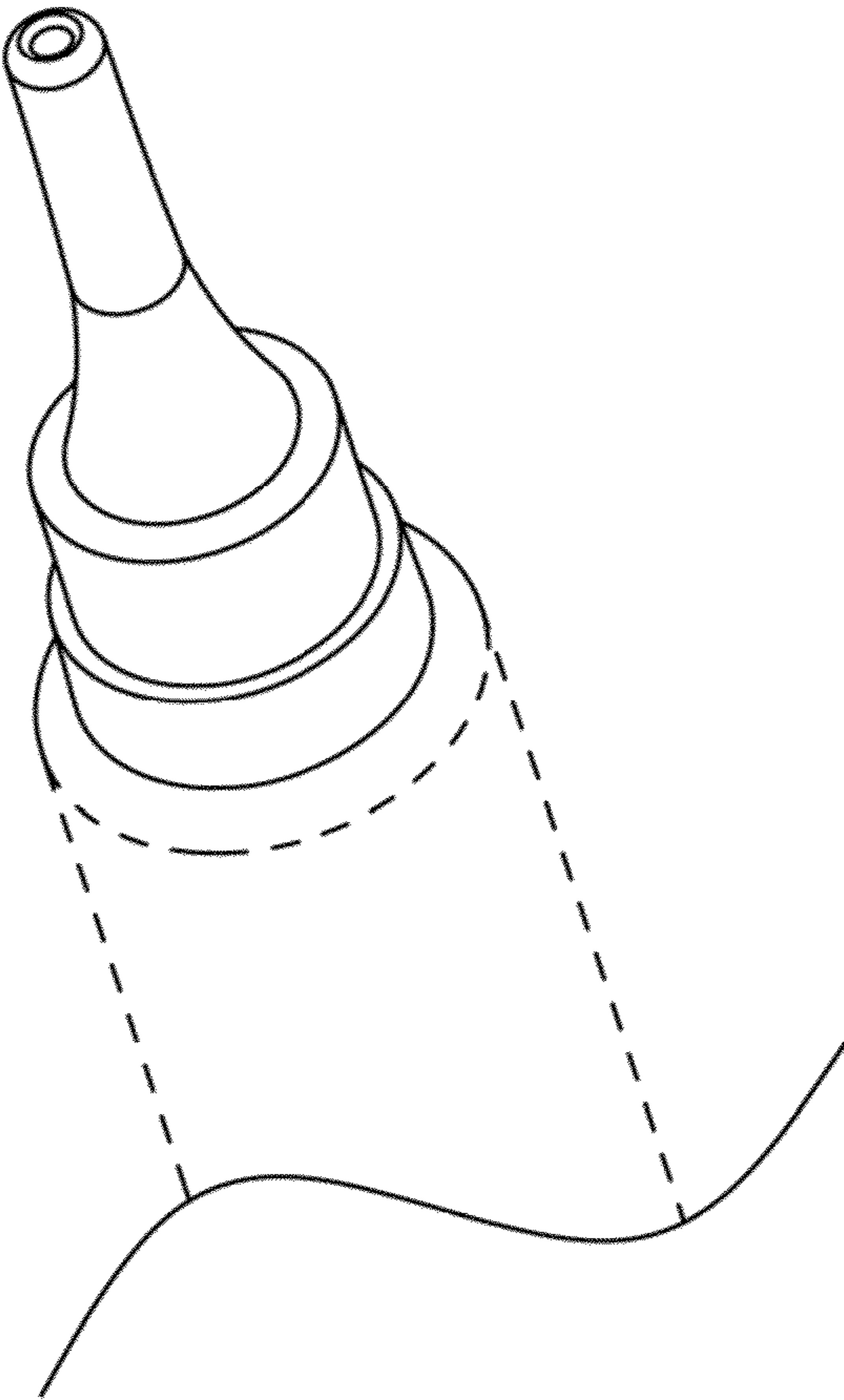


Fig. 9