



US00D705984S

(12) **United States Design Patent**
Klus

(10) **Patent No.:** **US D705,984 S**

(45) **Date of Patent:** **** May 27, 2014**

(54) **HOUSING FOR LED BASED LIGHTING APPARATUS**

(71) Applicant: **Sylwester Klus**, Kamionka (PL)

(72) Inventor: **Sylwester Klus**, Kamionka (PL)

(**) Term: **14 Years**

(21) Appl. No.: **29/464,234**

(22) Filed: **Aug. 14, 2013**

(51) **LOC (10) Cl.** **26-99**

(52) **U.S. Cl.**
USPC **D26/138**; D26/74

(58) **Field of Classification Search**
USPC D26/24, 26, 39, 42, 67, 68, 72, 74, 75,
D26/79, 85, 88, 89, 91, 96, 108, 109, 113,
D26/118, 120, 122, 129, 138, 140, 141,
D26/142; D13/179, 180; D25/60, 119, 122,
D25/124, 125, 164; 174/68.3, 101; 362/24,
362/26, 39, 42, 67, 68, 72, 74, 75, 79, 96,
362/108, 109, 113, 118, 129, 138, 140, 141,
362/142

See application file for complete search history.

(56) **References Cited**

U.S. PATENT DOCUMENTS

1,941,079	A *	12/1933	Exelmans	D26/118
2,292,395	A *	8/1942	O'Brien	174/101
3,302,350	A *	2/1967	Brown et al.	174/101
4,323,836	A *	4/1982	Rice	174/48
D288,802	S *	3/1987	Bramwell	D25/122
D289,633	S *	5/1987	Bramwell	D25/122
D293,098	S *	12/1987	Layton	D25/122
D424,213	S *	5/2000	Chaney et al.	D25/122
6,107,576	A *	8/2000	Morton et al.	174/101
D437,944	S *	2/2001	Neuhofer, Jr.	D25/199
D443,198	S *	6/2001	Snyder	D25/164

D448,737	S *	10/2001	Nakamura	D13/155
D473,661	S *	4/2003	Kim	D25/60
6,561,690	B2 *	5/2003	Balestriero et al.	362/555
6,659,623	B2 *	12/2003	Friend	362/249.06
D503,484	S *	3/2005	Deleu	D25/122
D541,953	S *	5/2007	Deleu	D25/122
7,344,163	B2 *	3/2008	Thompson	174/68.3
D611,169	S *	3/2010	Harder	D25/122
D616,567	S *	5/2010	Desrosiers et al.	D25/60
D621,542	S *	8/2010	Klus	D26/138
D636,095	S *	4/2011	Teffenhart, Jr.	D26/138
D649,682	S *	11/2011	Trzesniowski	D26/138
D649,691	S *	11/2011	Trzesniowski	D26/138
D649,692	S *	11/2011	Trzesniowski	D26/138
8,330,042	B2 *	12/2012	Owens et al.	174/68.3
D695,955	S *	12/2013	Klus	D26/138
D696,814	S *	12/2013	Matus, Jr.	D26/138

* cited by examiner

Primary Examiner — Deanna L Pratt
Assistant Examiner — Natasha Vujcic
(74) *Attorney, Agent, or Firm* — Mark Terry

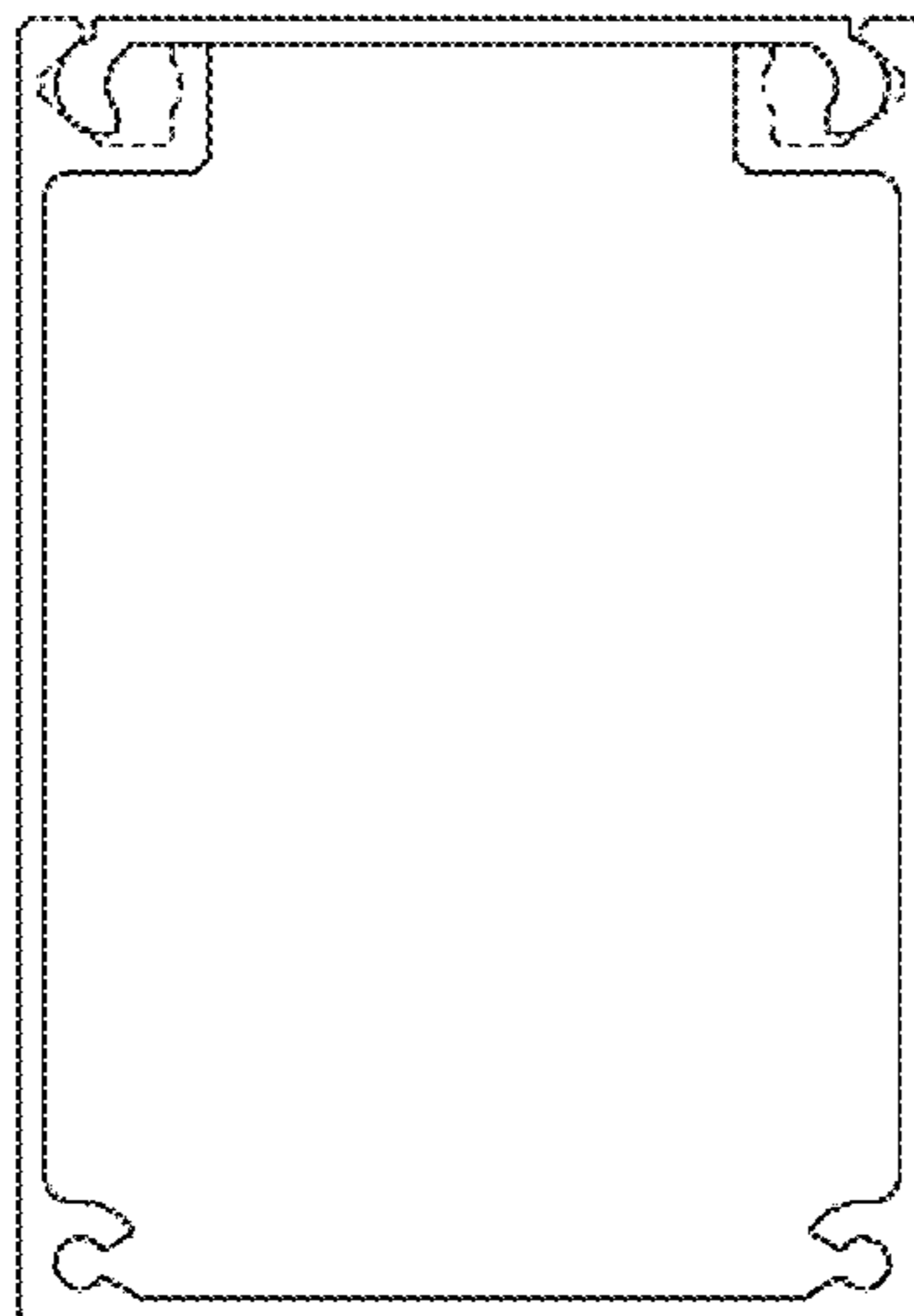
(57) **CLAIM**

The ornamental design for a housing for an LED-based lighting apparatus, as shown and described.

DESCRIPTION

FIG. 1 is a front view of a housing for an LED-based lighting apparatus, showing the new design;
FIG. 2 is a side view thereof.
FIG. 3 is a top perspective view thereof;
FIG. 4 is a bottom perspective view thereof;
FIG. 5 is a bottom view thereof;
FIG. 6 is a top view thereof; and,
FIG. 7 is an exploded top perspective view thereof.
The broken lines in the drawings illustrate portions of the housing for LED based lighting apparatus which form no part of the claimed design.

1 Claim, 7 Drawing Sheets



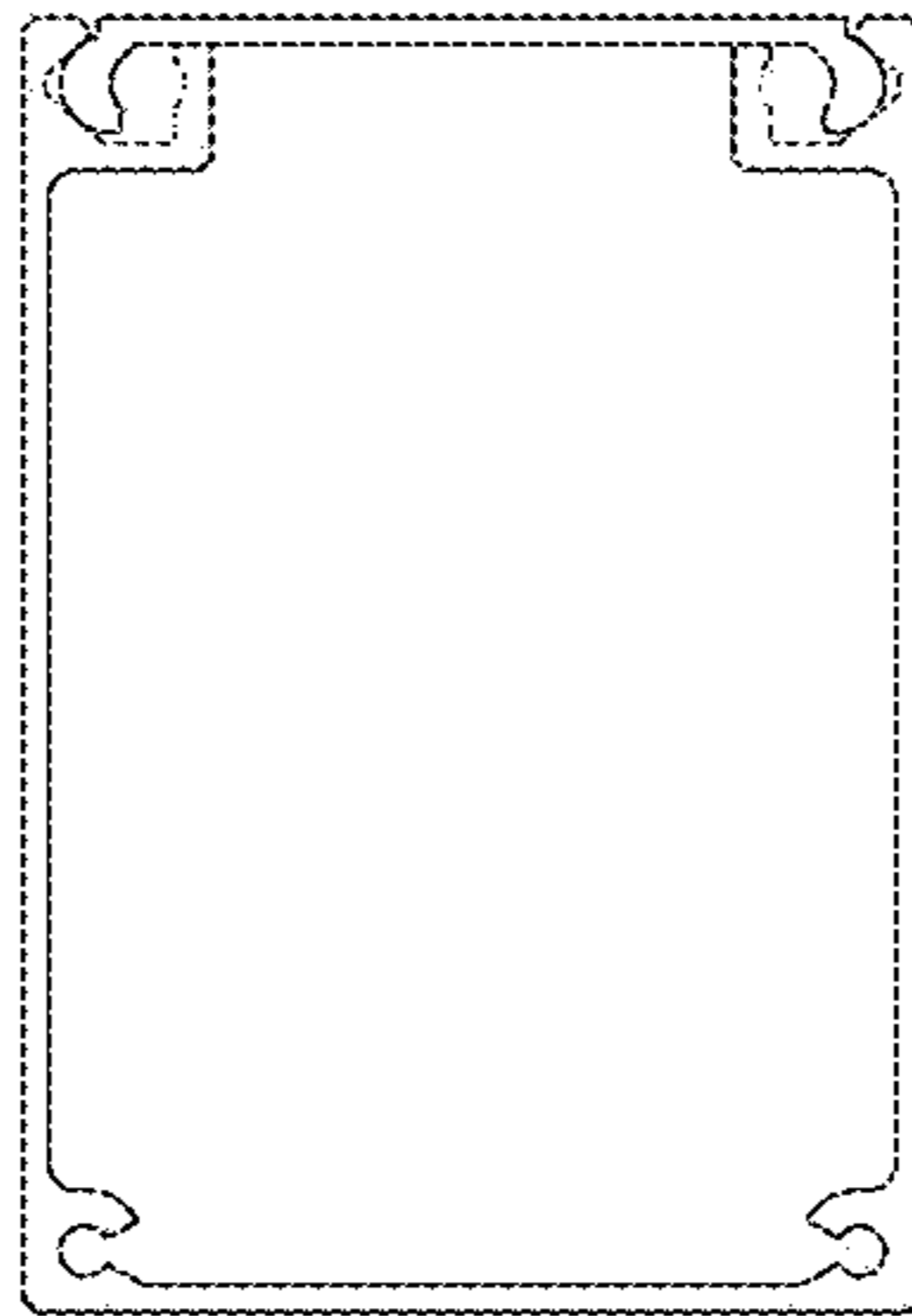


FIG. 1



FIG.2

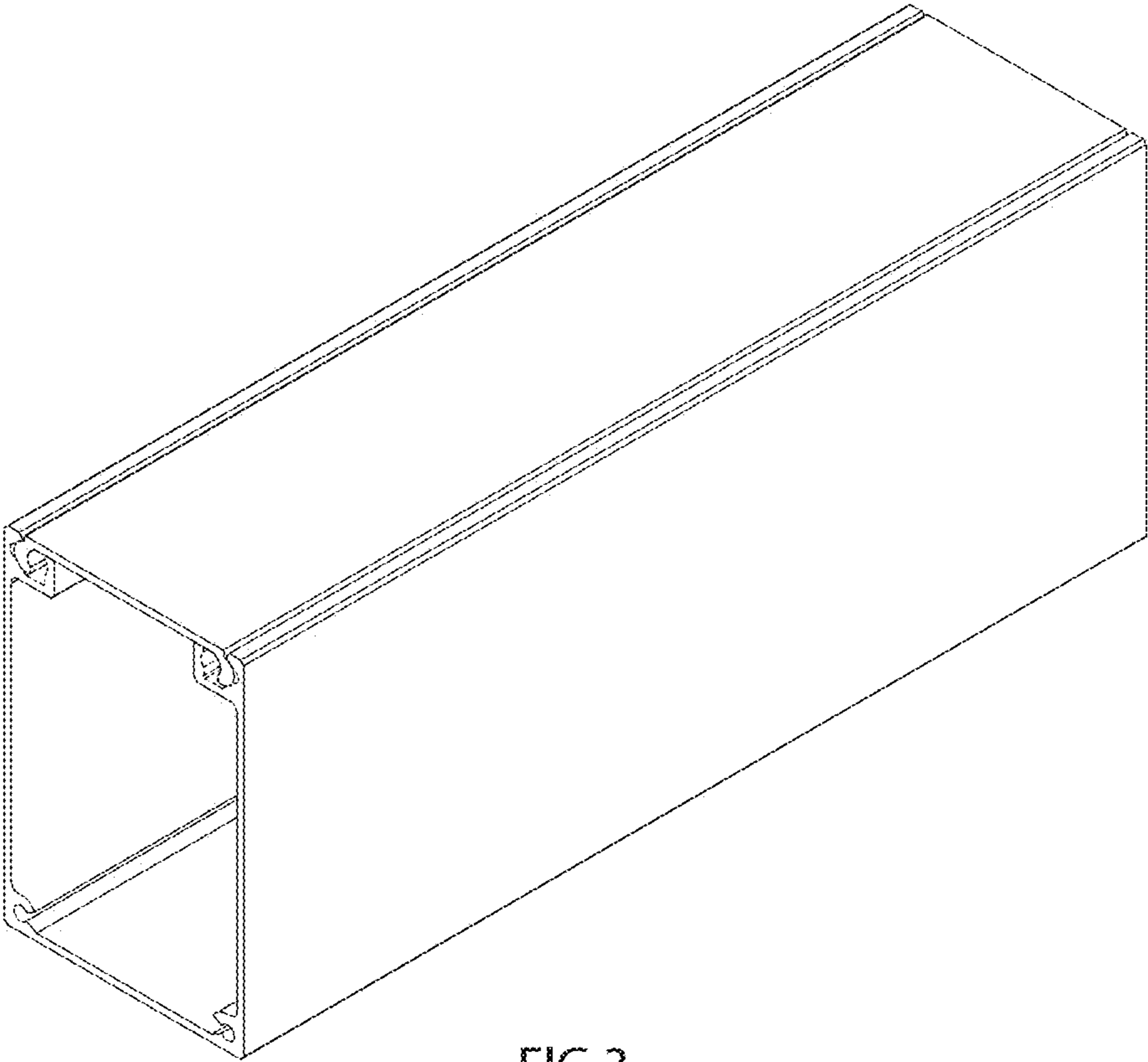


FIG.3

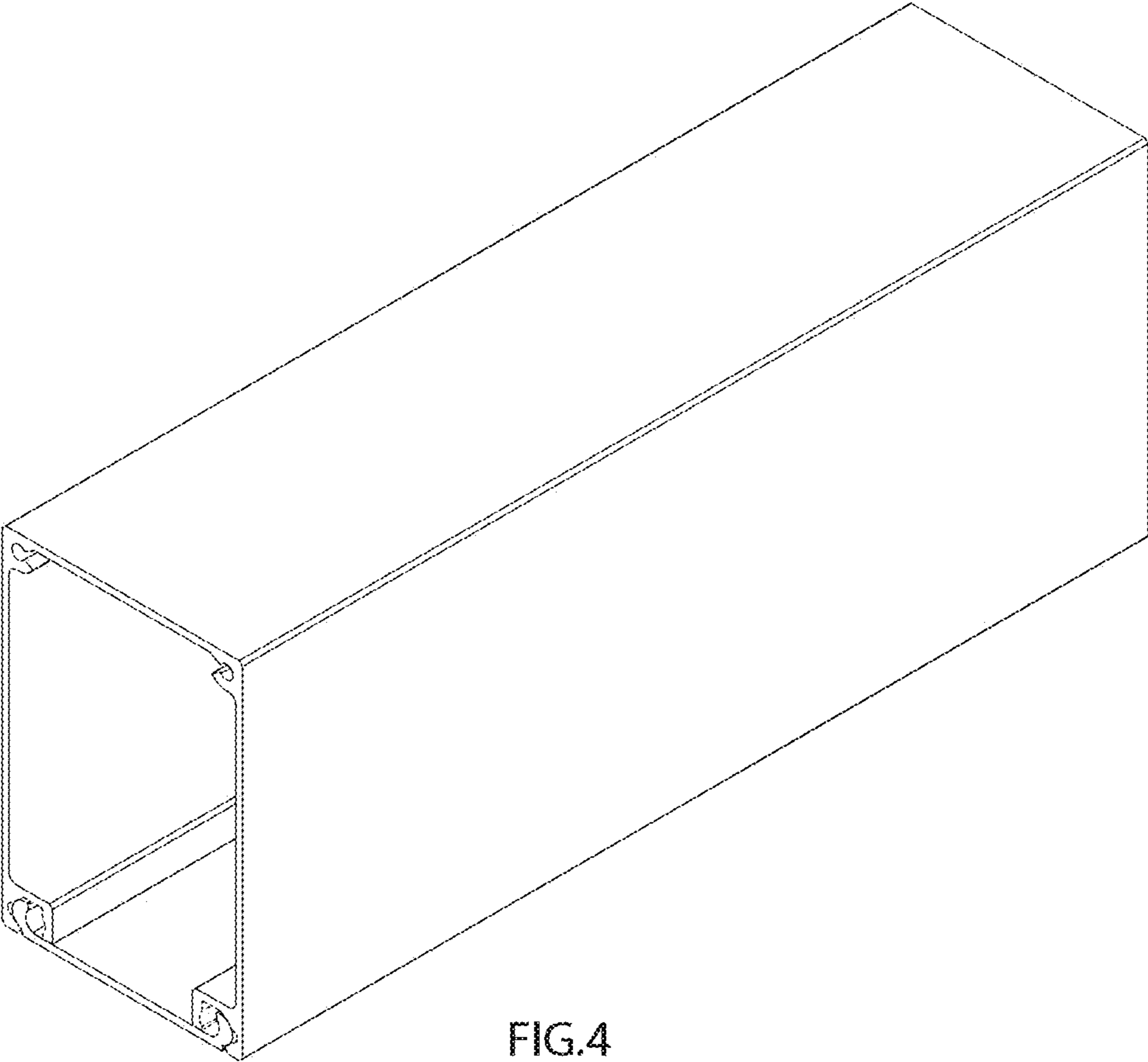


FIG.4

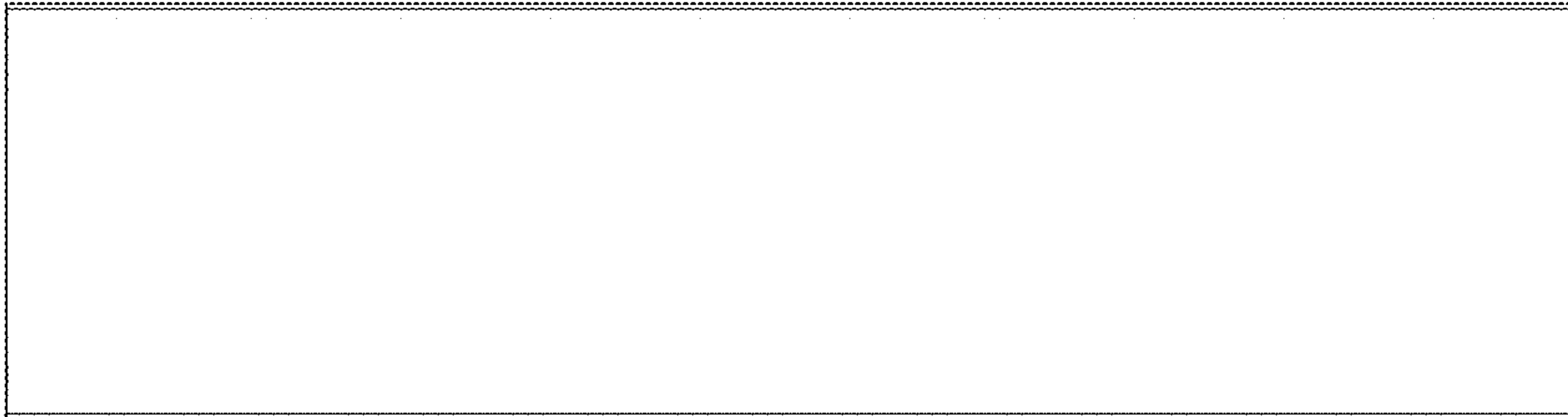


FIG.5

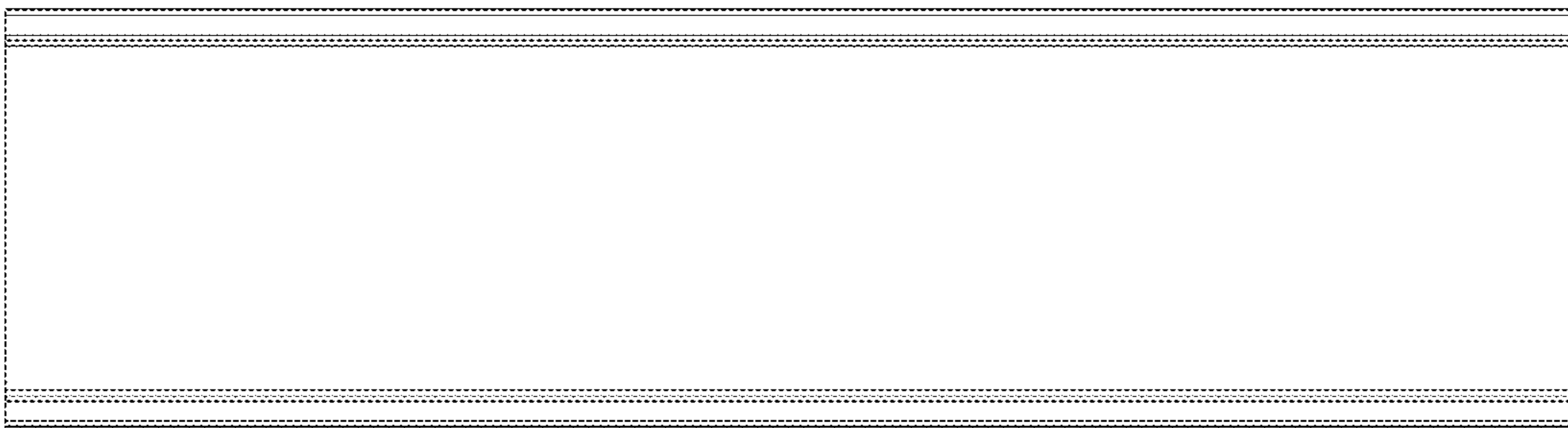


FIG.6

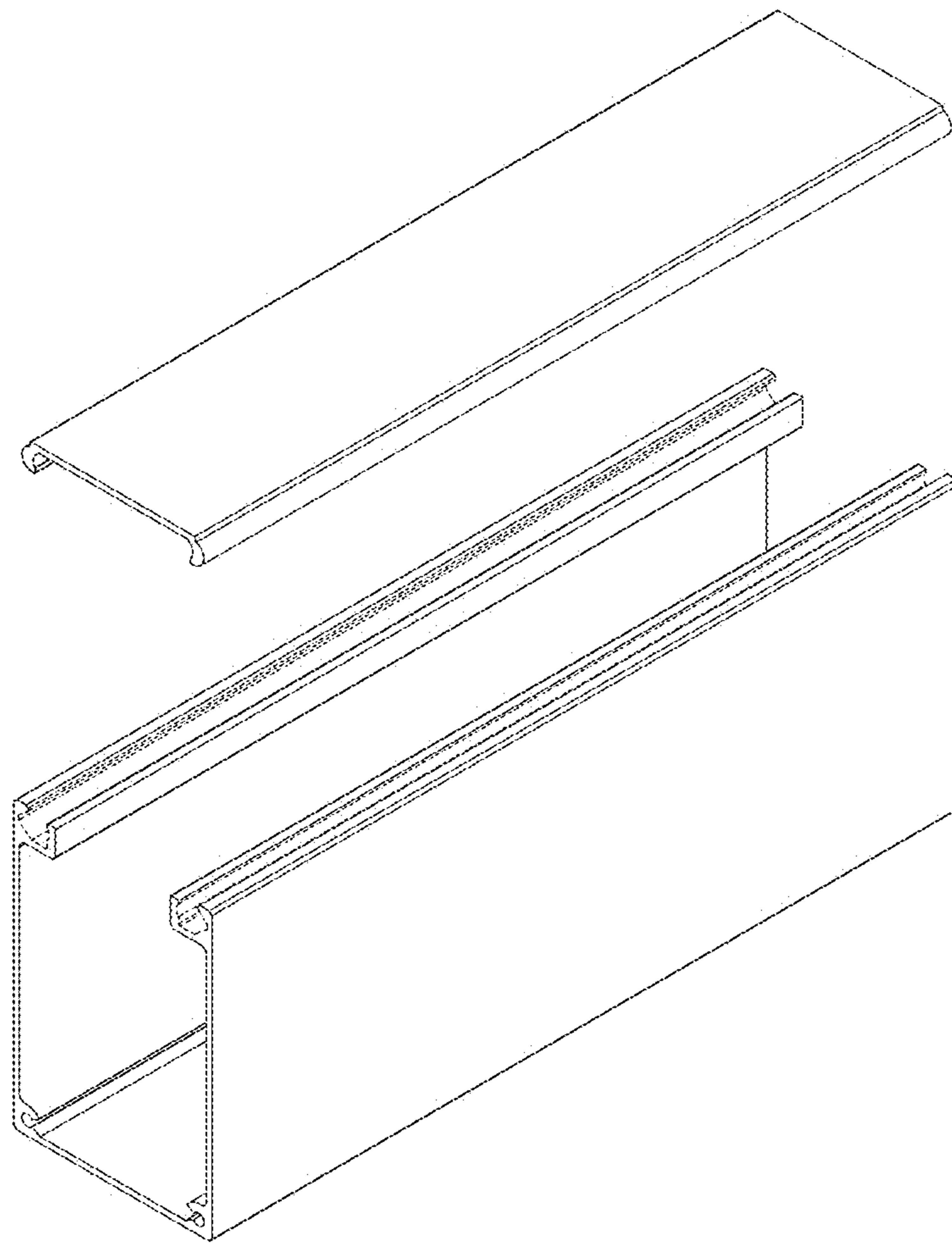


FIG.7