



US00D705980S

(12) **United States Design Patent**  
**Davidson et al.**

(10) **Patent No.:** **US D705,980 S**  
(45) **Date of Patent:** **\*\* May 27, 2014**

(54) **LIGHT**

(75) Inventors: **Hugo Davidson**, Richmond (AU);  
**Malcolm McKechnie**, Richmond (AU);  
**Jonathan Chan**, Richmond (AU); **Tim Besley**, Richmond (AU); **Kynan Taylor**, Richmond (AU); **Joelene Tee**, Richmond (AU); **Chris Bilanenko**, Richmond (AU)

(73) Assignee: **Knog Pty Ltd** (AU)

(\*\*) Term: **14 Years**

(21) Appl. No.: **29/414,544**

(22) Filed: **Feb. 29, 2012**

(30) **Foreign Application Priority Data**

Aug. 31, 2011 (CA) ..... 142030

(51) **LOC (10) Cl.** ..... **26-99**

(52) **U.S. Cl.**  
USPC ..... **D26/118**

(58) **Field of Classification Search**

USPC ..... D26/25, 24, 26, 28, 113, 118, 119, 120,  
D26/64, 65, 72, 74, 75, 73, 68, 69, 70, 71,  
D26/152, 153, 154, 122, 123, 145, 155, 121,  
D26/138, 139, 86, 85, 87, 89, 66, 67, 76, 77,  
D26/78, 84, 88, 95, 96, 124, 125, 126, 227,  
D26/128, 129, 146, 144, 130, 151, 142, 143,  
D26/140, 141, 45, 38, 39, 1, 2, 3, 127;  
362/362, 326, 373, 623, 600, 371, 297,  
362/294, 249.01, 249.03-249.05, 218;  
D10/111, 113.1, 114.1; 257/88;  
D13/179, 180

See application file for complete search history.

(56) **References Cited**

**U.S. PATENT DOCUMENTS**

1,980,351 A \* 11/1934 Osterman ..... 362/142  
D340,777 S \* 10/1993 Choi et al. .... D26/38  
D340,778 S \* 10/1993 Oberlander ..... D26/39  
D345,022 S \* 3/1994 Hamasaki ..... D26/28  
D361,143 S \* 8/1995 Helvey ..... D26/39

D362,312 S \* 9/1995 Chen ..... D26/39  
D362,920 S \* 10/1995 Schwartz ..... D26/39  
D371,617 S \* 7/1996 Anwyl-Davies ..... D26/39  
D394,720 S \* 5/1998 Yuen ..... D26/39  
D411,894 S \* 7/1999 Rick ..... D26/39  
D450,145 S \* 11/2001 Krieger et al. .... D26/45  
D461,266 S \* 8/2002 Siu Cheong et al. .... D26/45  
D492,052 S \* 6/2004 Schnell ..... D26/39  
6,805,460 B1 \* 10/2004 Zoller et al. .... 362/103  
6,955,444 B2 \* 10/2005 Gupta ..... 362/105  
7,185,997 B2 \* 3/2007 Simoni ..... 362/108  
D590,083 S \* 4/2009 Petzl ..... D26/39  
D592,781 S \* 5/2009 Petzl ..... D26/39  
D592,782 S \* 5/2009 Hine et al. .... D26/39  
7,540,623 B2 \* 6/2009 Petzl et al. .... 362/197  
D597,676 S \* 8/2009 Copeland et al. .... D24/187  
D611,632 S \* 3/2010 Diehl ..... D26/50  
D615,678 S \* 5/2010 DeBrunner ..... D26/39  
D631,552 S \* 1/2011 Kasabach et al. .... D24/186  
7,922,349 B2 \* 4/2011 Hunnewell et al. .... 362/157  
D638,964 S \* 5/2011 Cappuccio ..... D26/39  
D658,323 S \* 4/2012 Freschl ..... D26/39  
D665,952 S \* 8/2012 Guo ..... D30/152  
D672,893 S \* 12/2012 Inskeep ..... D26/39  
D674,944 S \* 1/2013 Bertken ..... D26/39  
D683,489 S \* 5/2013 Lee ..... D26/39  
D685,510 S \* 7/2013 Henry et al. .... D26/60  
2003/0116101 A1 \* 6/2003 Kim et al. .... 119/720  
2003/0122678 A1 \* 7/2003 Duncan et al. .... 340/573.3  
2007/0076410 A1 \* 4/2007 Halasz ..... 362/197  
2012/0033415 A1 \* 2/2012 Sharrah et al. .... 362/199  
2012/0155656 A1 \* 6/2012 Noguchi ..... 381/56  
2013/0148339 A1 \* 6/2013 Noble ..... 362/184

\* cited by examiner

*Primary Examiner* — Kevin Rudzinski

(74) *Attorney, Agent, or Firm* — SAIDMAN DesignLaw Group

(57) **CLAIM**

The ornamental design for a light, as shown and described.

**DESCRIPTION**

FIG. 1 is a front perspective view of a first embodiment of a light showing our new design;  
FIG. 2 is a front view thereof;  
FIG. 3 is a rear view thereof;  
FIG. 4 is a top view thereof;

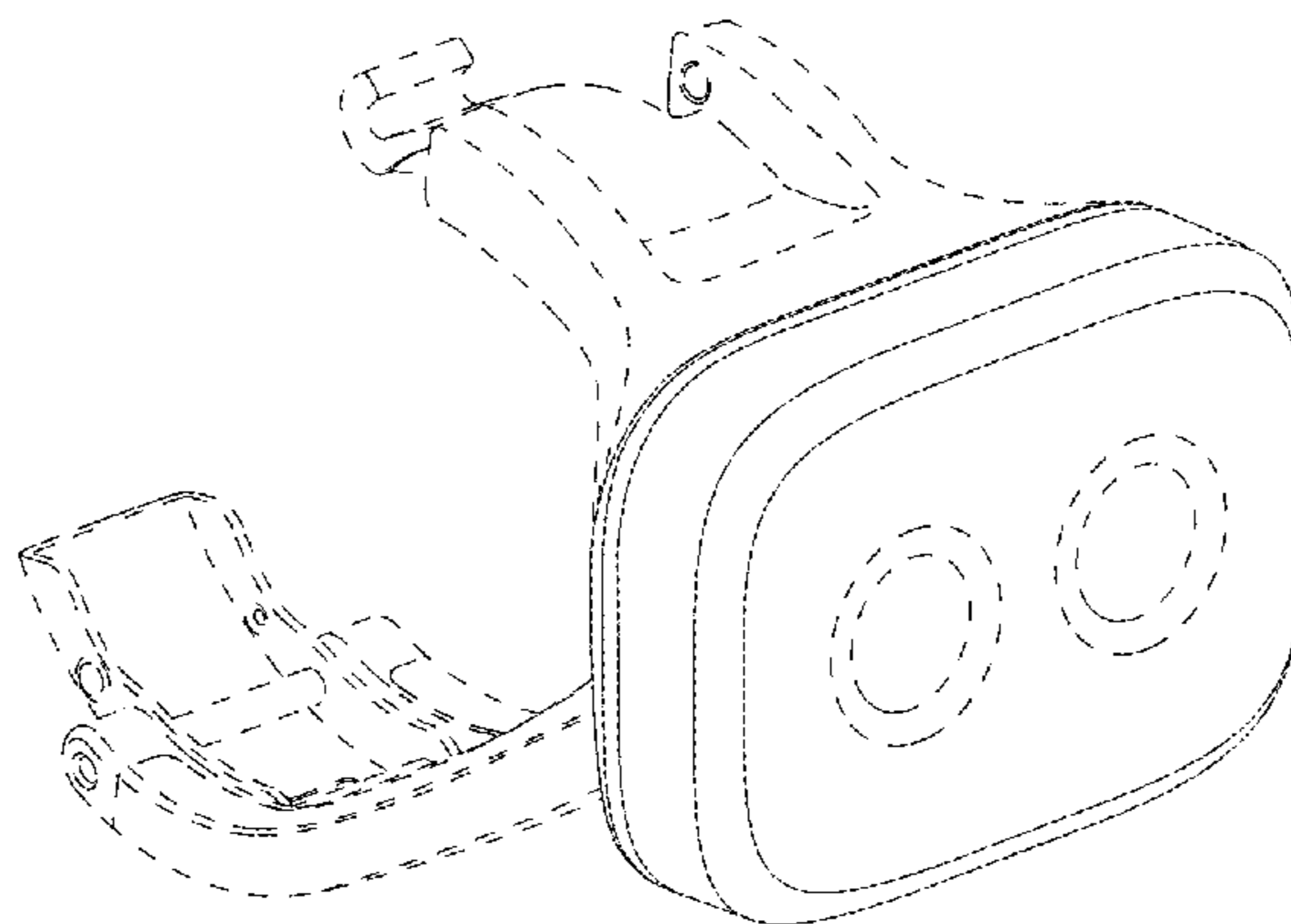


FIG. 5 is a bottom view thereof;  
FIG. 6 is a right side view thereof;  
FIG. 7 is a left side view thereof;  
FIG. 8 is a rear perspective view thereof;  
FIG. 9 is a front perspective view thereof, with the strap shown in a closed configuration;  
FIG. 10 is a front perspective view of a second embodiment thereof;  
FIG. 11 is a front view thereof;  
FIG. 12 is a rear view thereof;  
FIG. 13 is a top view thereof;  
FIG. 14 is a bottom view thereof;  
FIG. 15 is a right side view thereof;  
FIG. 16 is a left side view thereof;  
FIG. 17 is a rear perspective view thereof;  
FIG. 18 is a front perspective view thereof, with the strap shown in a closed configuration;  
FIG. 19 is a front perspective view of a third embodiment thereof;  
FIG. 20 is a front view thereof;  
FIG. 21 is a rear view thereof;  
FIG. 22 is a top view thereof;  
FIG. 23 is a bottom view thereof;  
FIG. 24 is a right side view thereof;  
FIG. 25 is a left side view thereof;  
FIG. 26 is a rear perspective view thereof;  
FIG. 27 is a front perspective view thereof, with the strap shown in a closed configuration;  
FIG. 28 is a front perspective view of a fourth embodiment thereof;  
FIG. 29 is a front view thereof;  
FIG. 30 is a rear view thereof;  
FIG. 31 is a top view thereof;  
FIG. 32 is a bottom view thereof;  
FIG. 33 is a right side view thereof;  
FIG. 34 is a left side view thereof;  
FIG. 35 is a rear perspective view thereof;

FIG. 36 is a front perspective view thereof, with the strap shown in a closed configuration;  
FIG. 37 is a front perspective view of a fifth embodiment thereof;  
FIG. 38 is a front view thereof;  
FIG. 39 is a rear view thereof;  
FIG. 40 is a top view thereof;  
FIG. 41 is a bottom view thereof;  
FIG. 42 is a right side view thereof;  
FIG. 43 is a left side view thereof;  
FIG. 44 is a rear perspective view thereof;  
FIG. 45 is a front perspective view thereof, with the strap shown in a closed configuration;  
FIG. 46 is a front perspective view of a sixth embodiment thereof;  
FIG. 47 is a front view thereof;  
FIG. 48 is a rear view thereof;  
FIG. 49 is a top view thereof;  
FIG. 50 is a bottom view thereof;  
FIG. 51 is a right side view thereof;  
FIG. 52 is a left side view thereof;  
FIG. 53 is a rear perspective view thereof;  
FIG. 54 is a front perspective view thereof, with the strap shown in a closed configuration;  
FIG. 55 is a front perspective view of a seventh embodiment thereof;  
FIG. 56 is a front view thereof;  
FIG. 57 is a rear view thereof;  
FIG. 58 is a top view thereof;  
FIG. 59 is a bottom view thereof;  
FIG. 60 is a right side view thereof;  
FIG. 61 is a left side view thereof;  
FIG. 62 is a rear perspective view thereof; and,  
FIG. 63 is a front perspective view thereof, with the strap shown in a closed configuration.  
The broken lines illustrate portions of the light and form no part of the claimed design.

**1 Claim, 63 Drawing Sheets**

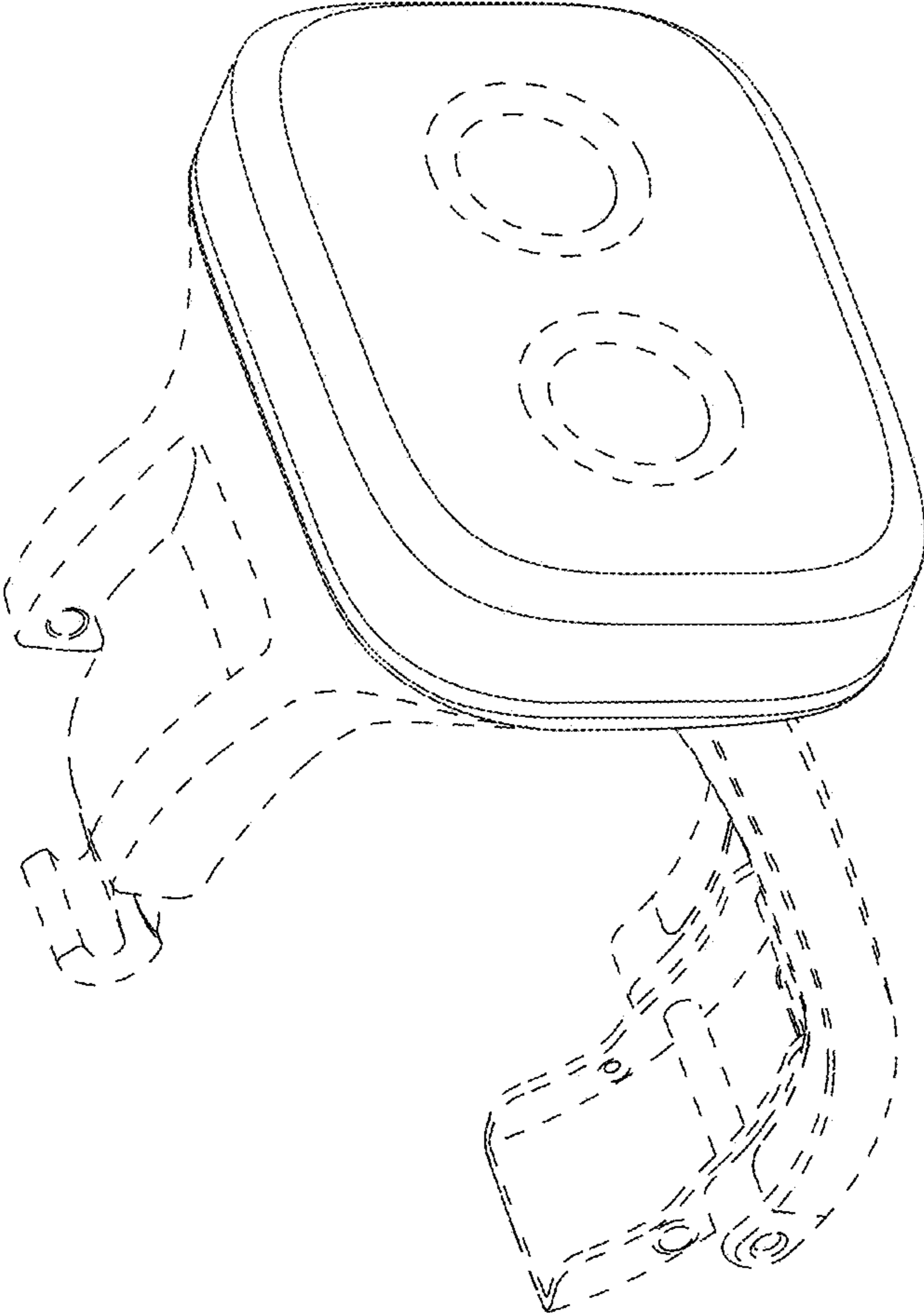


Figure 1

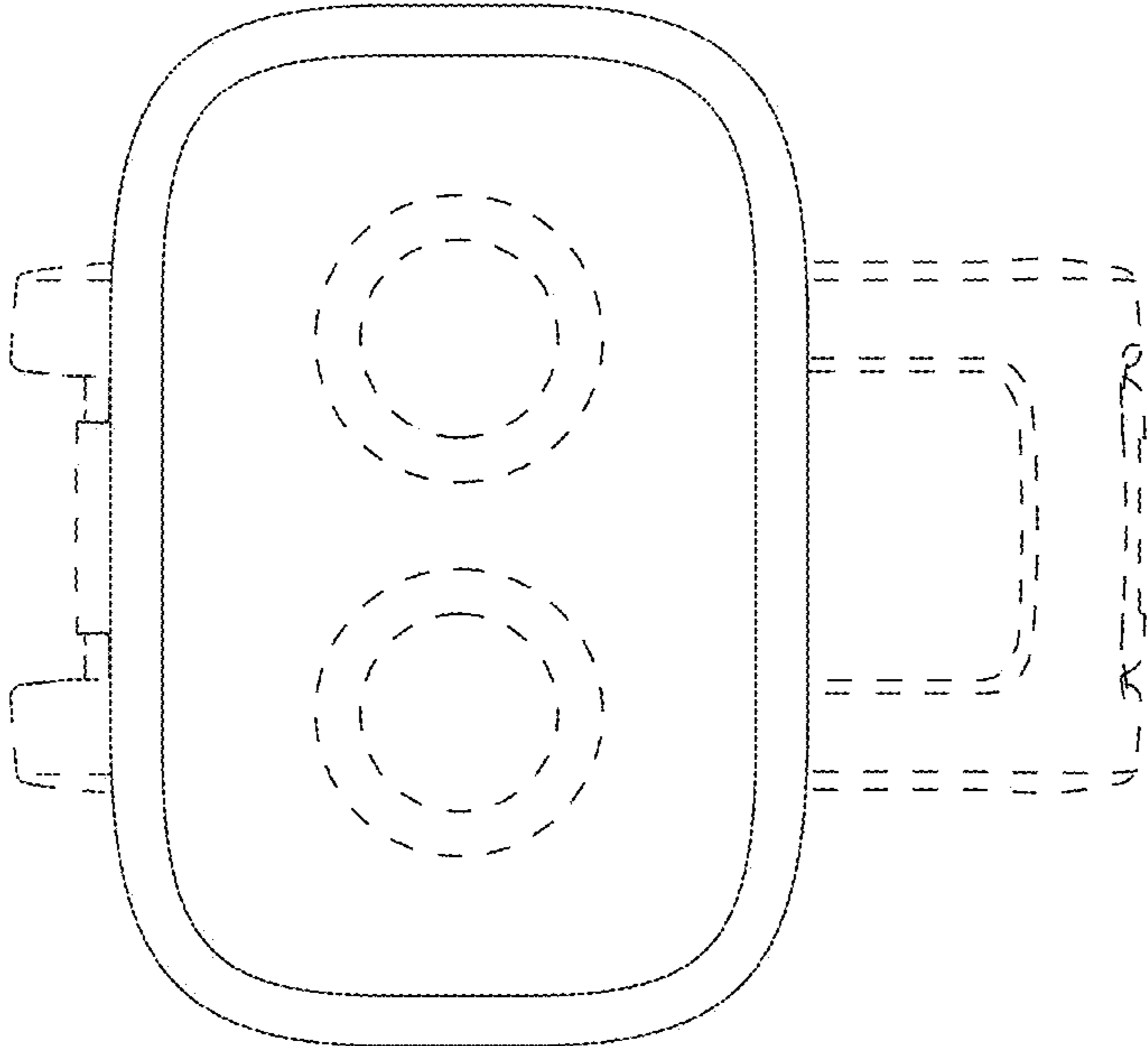


Figure 2



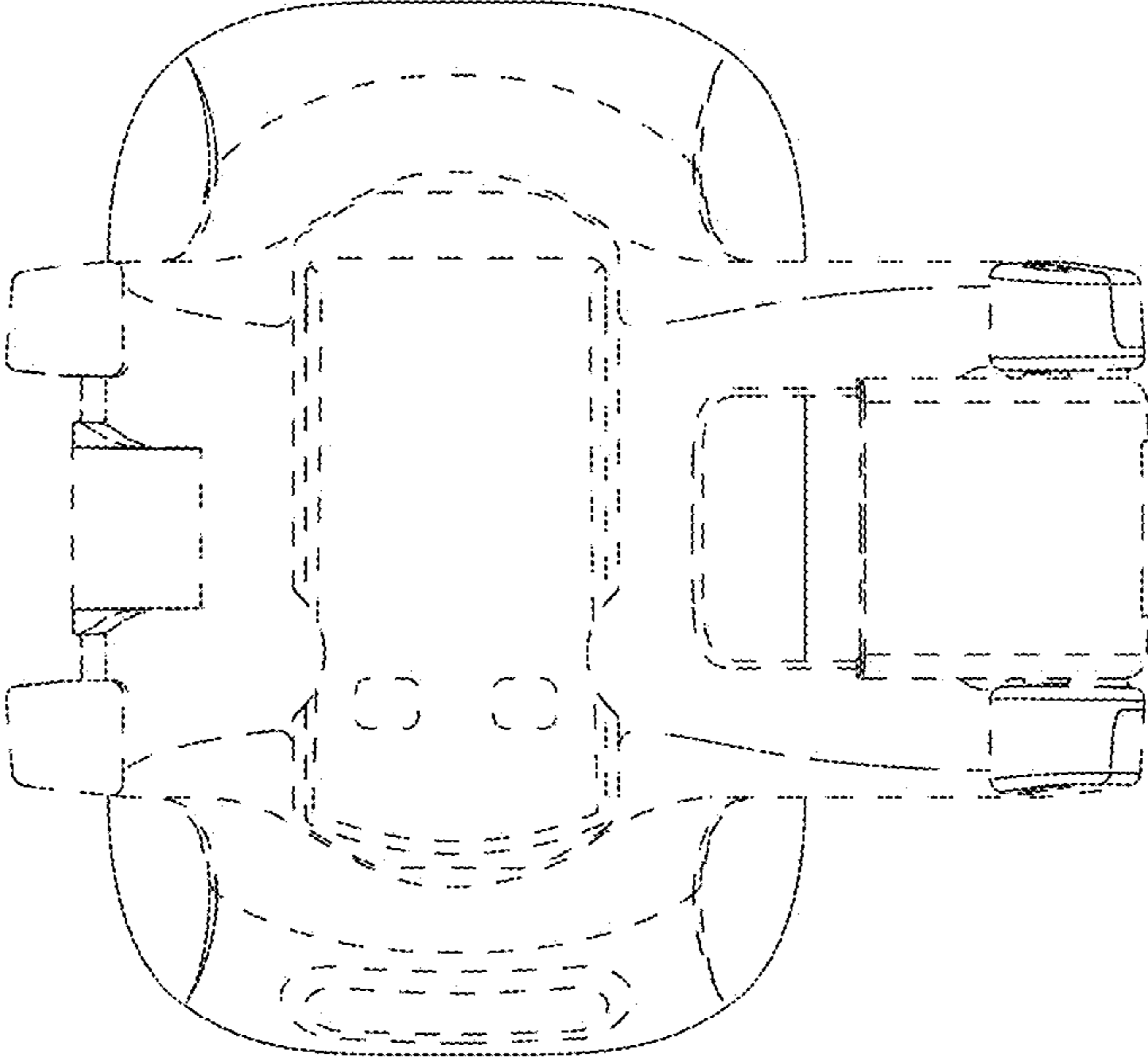


Figure 3

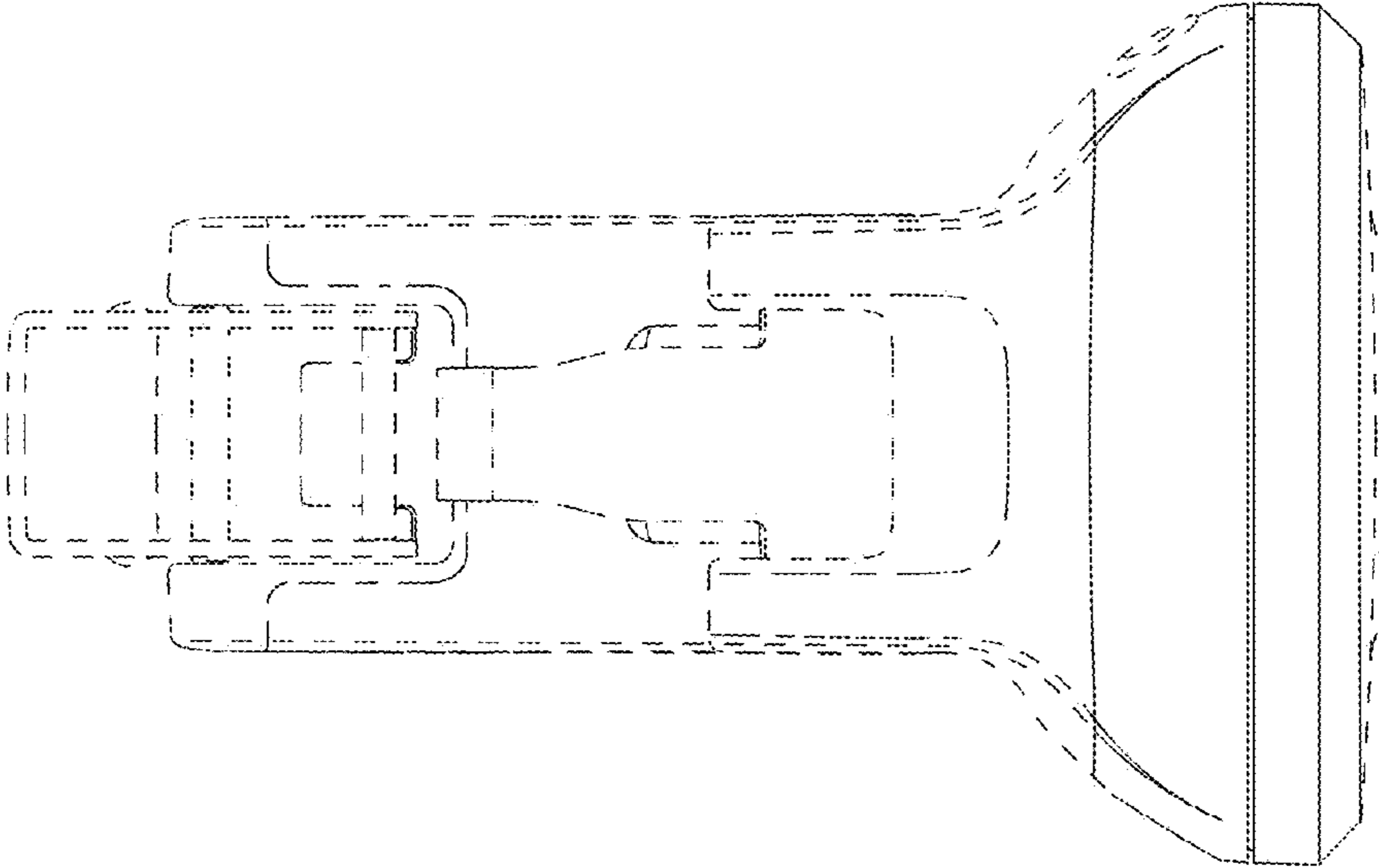


Figure 4

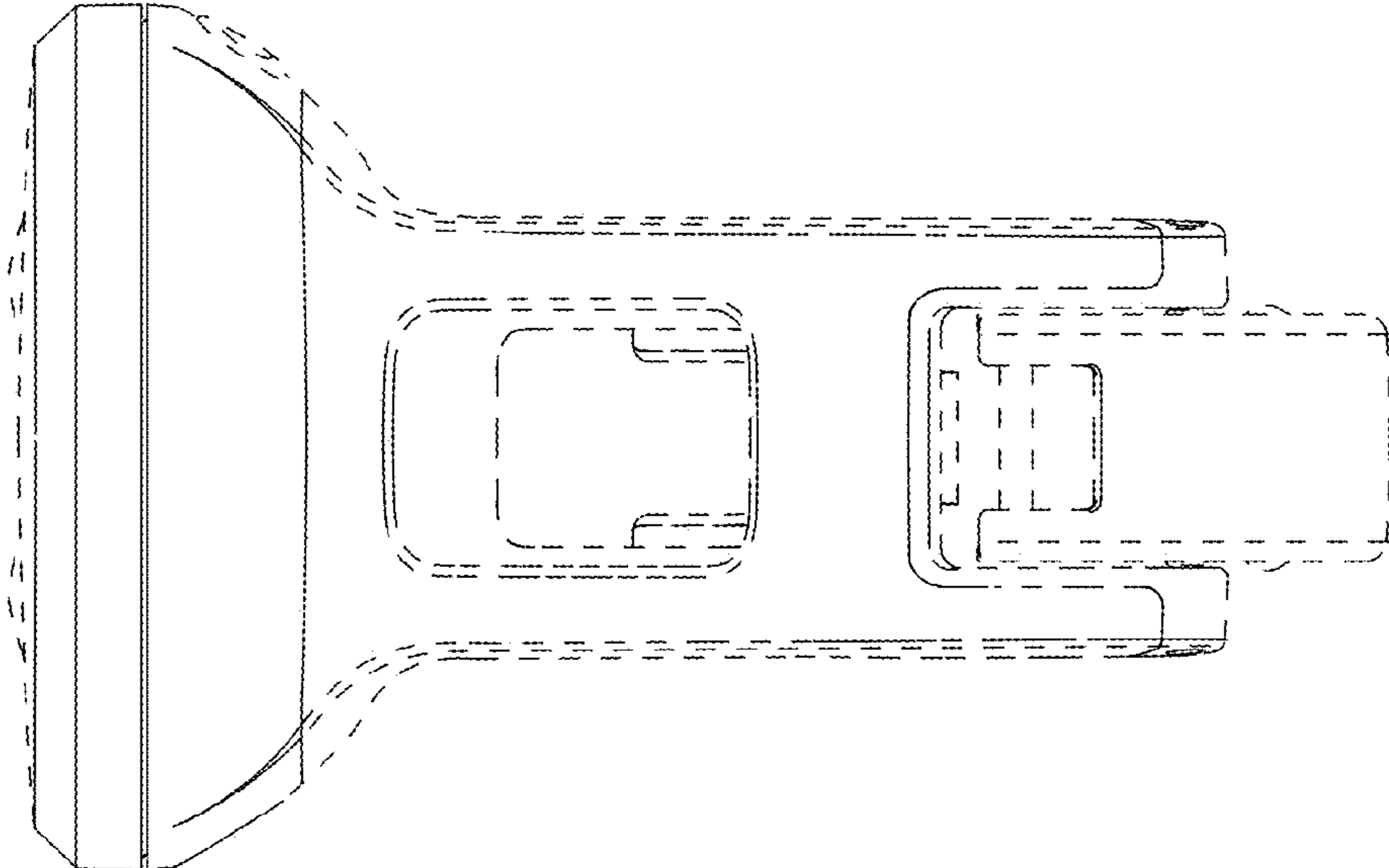


Figure 5

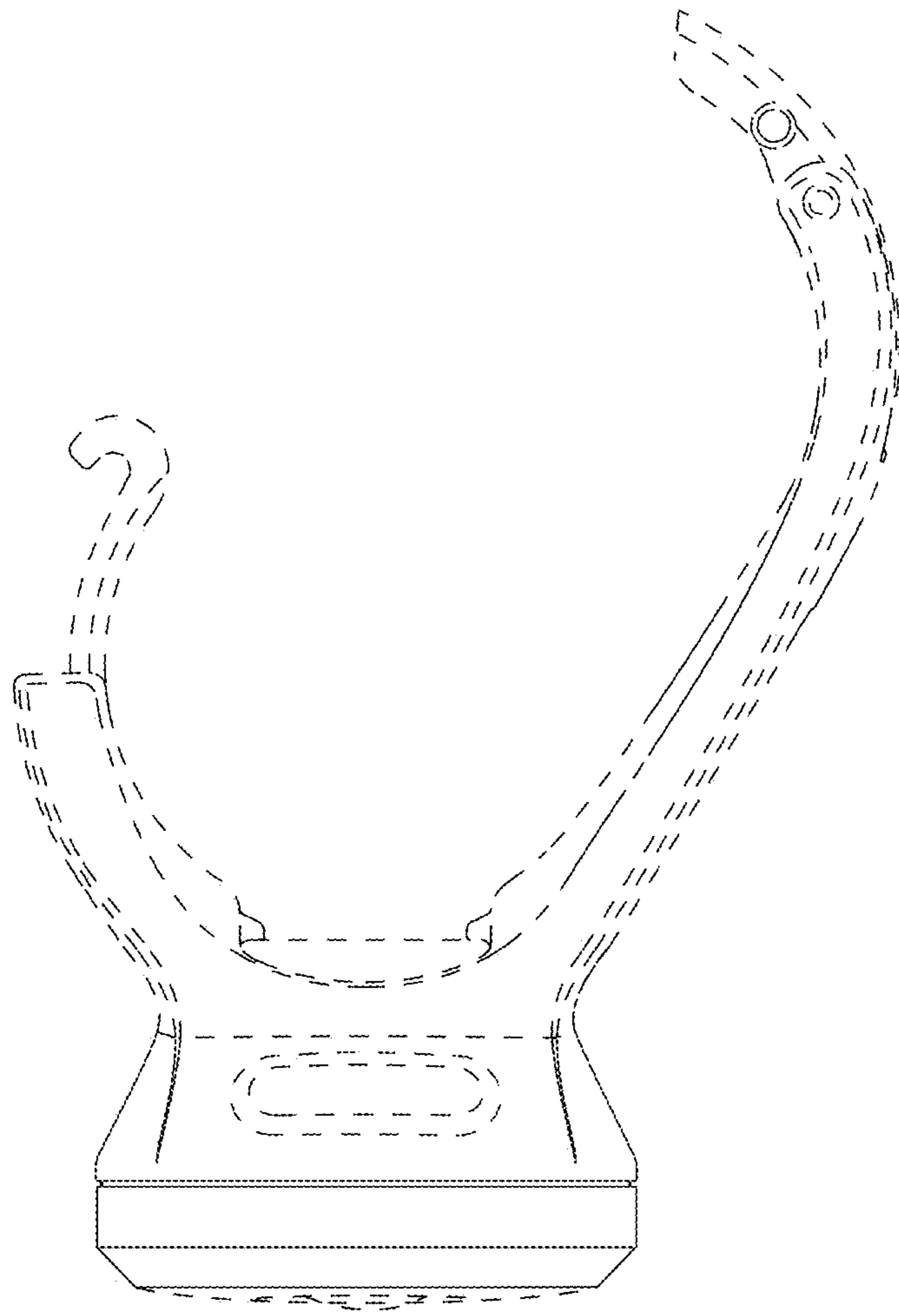


Figure 6



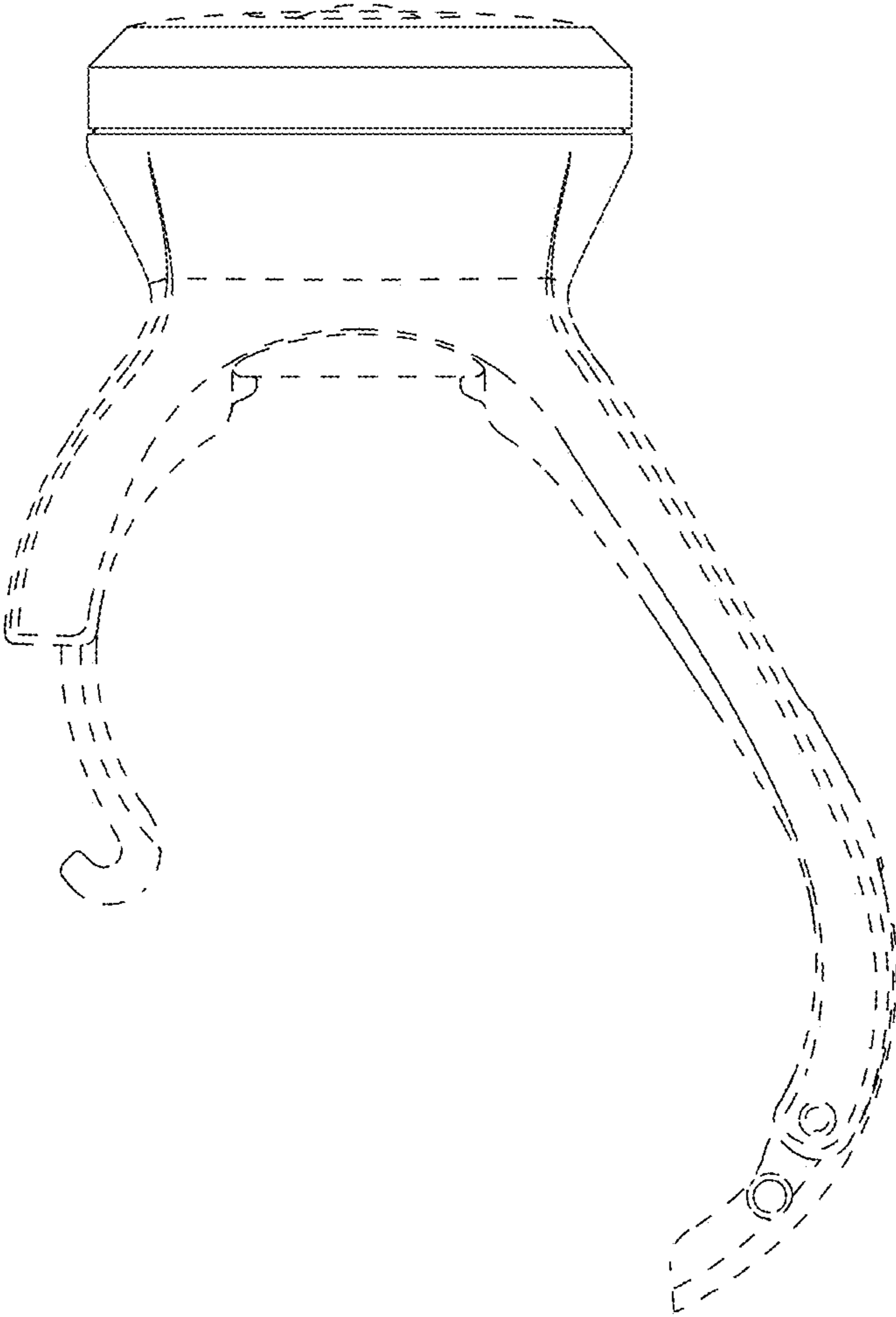


Figure 7

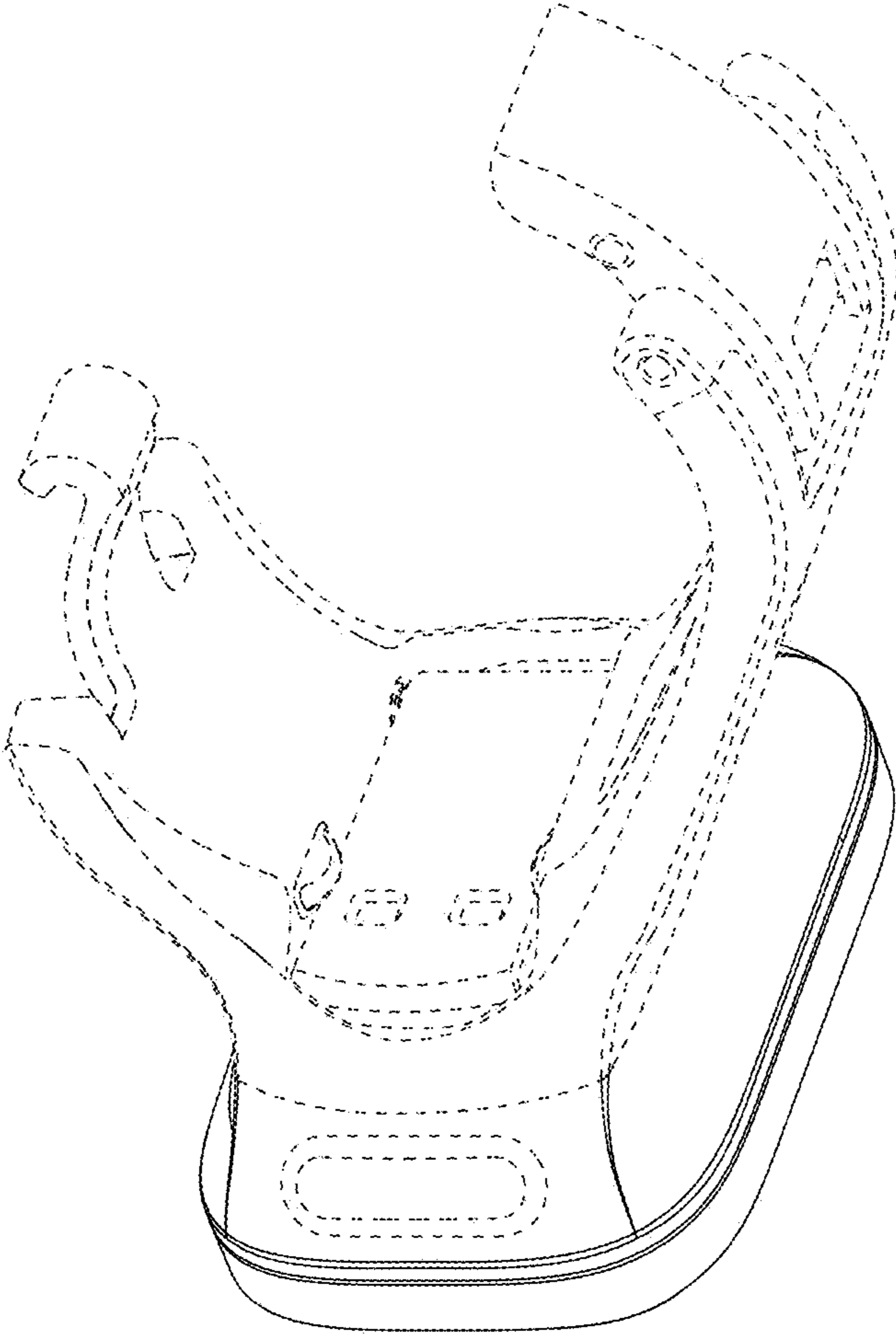


Figure 8

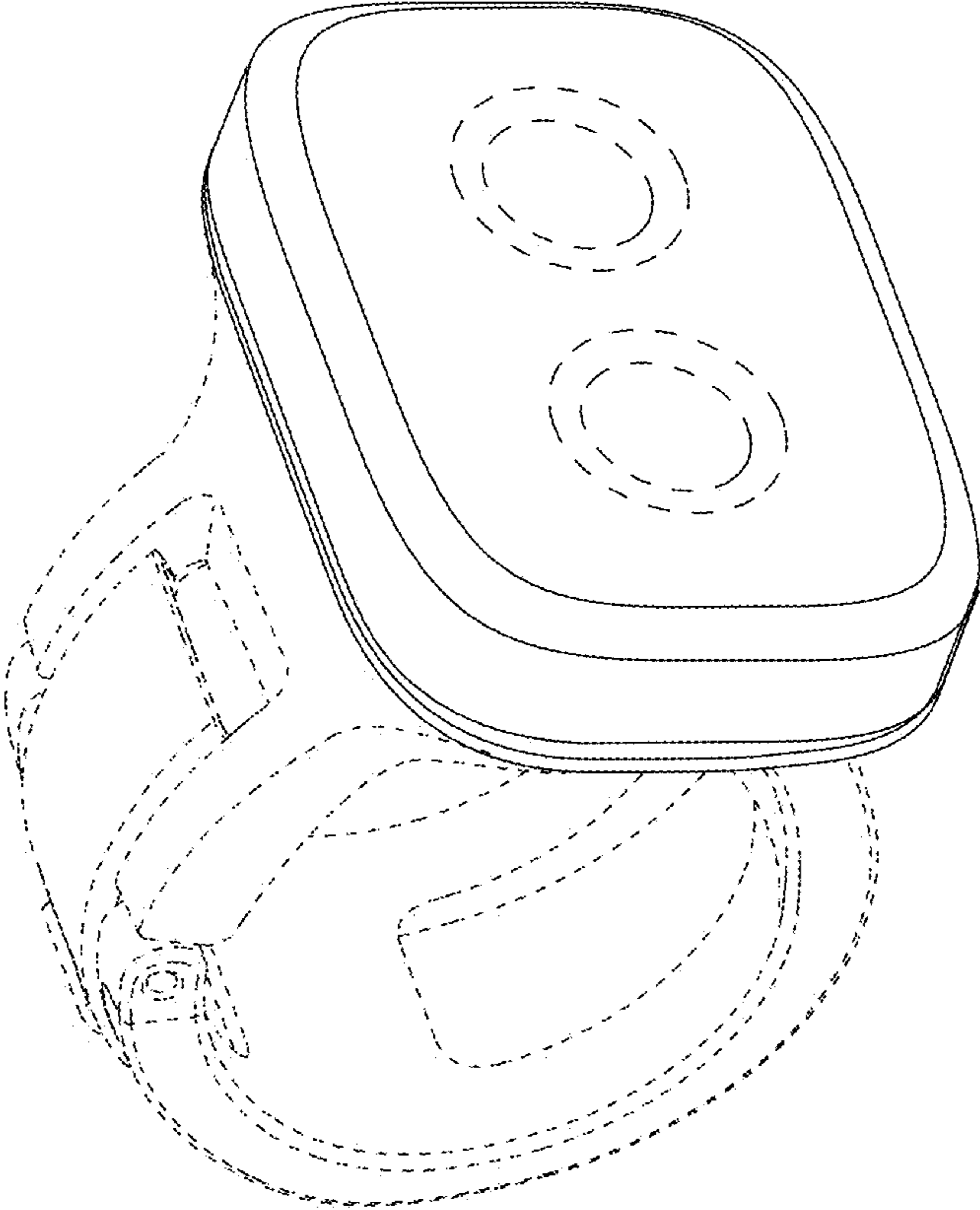


Figure 9

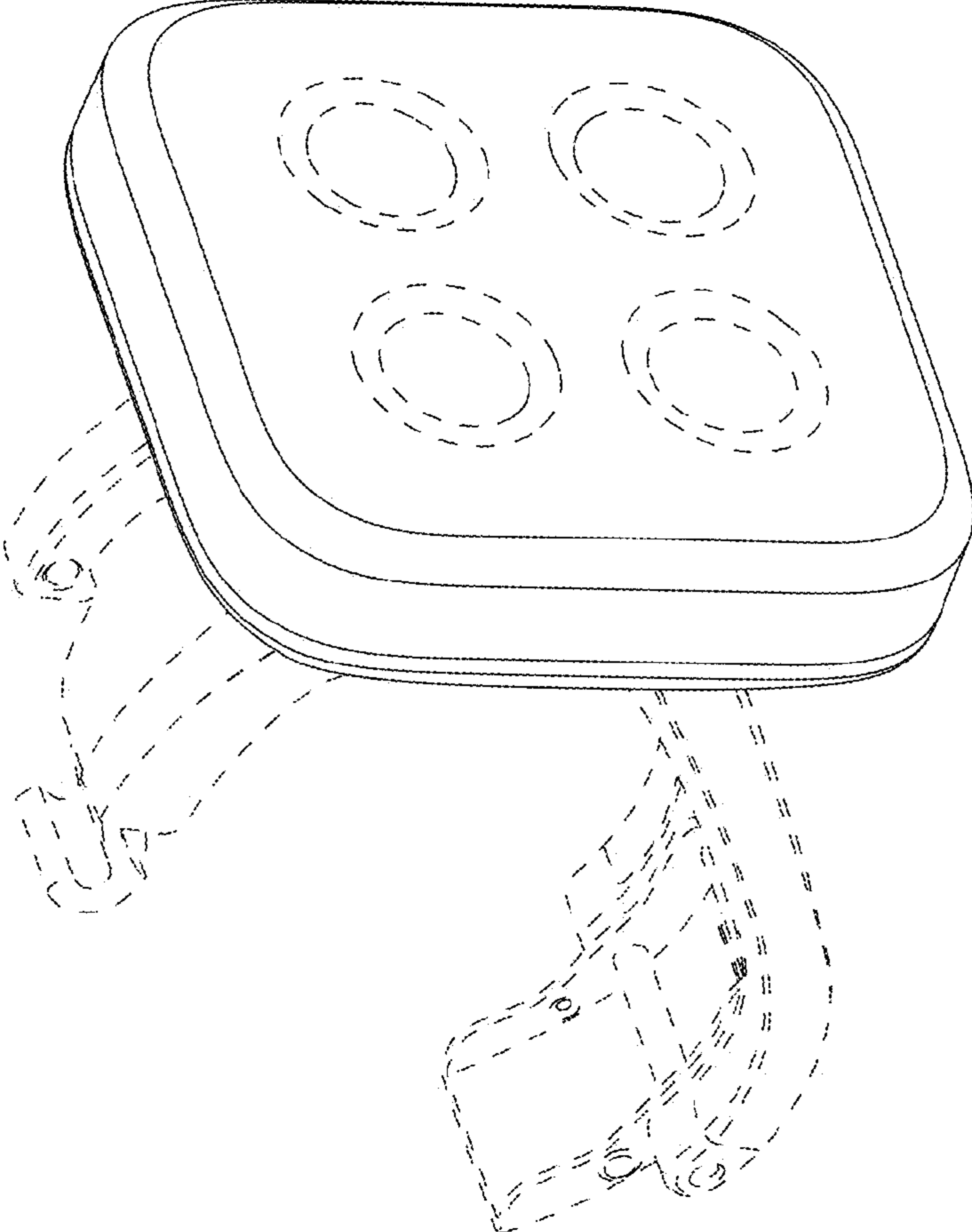


Figure 10

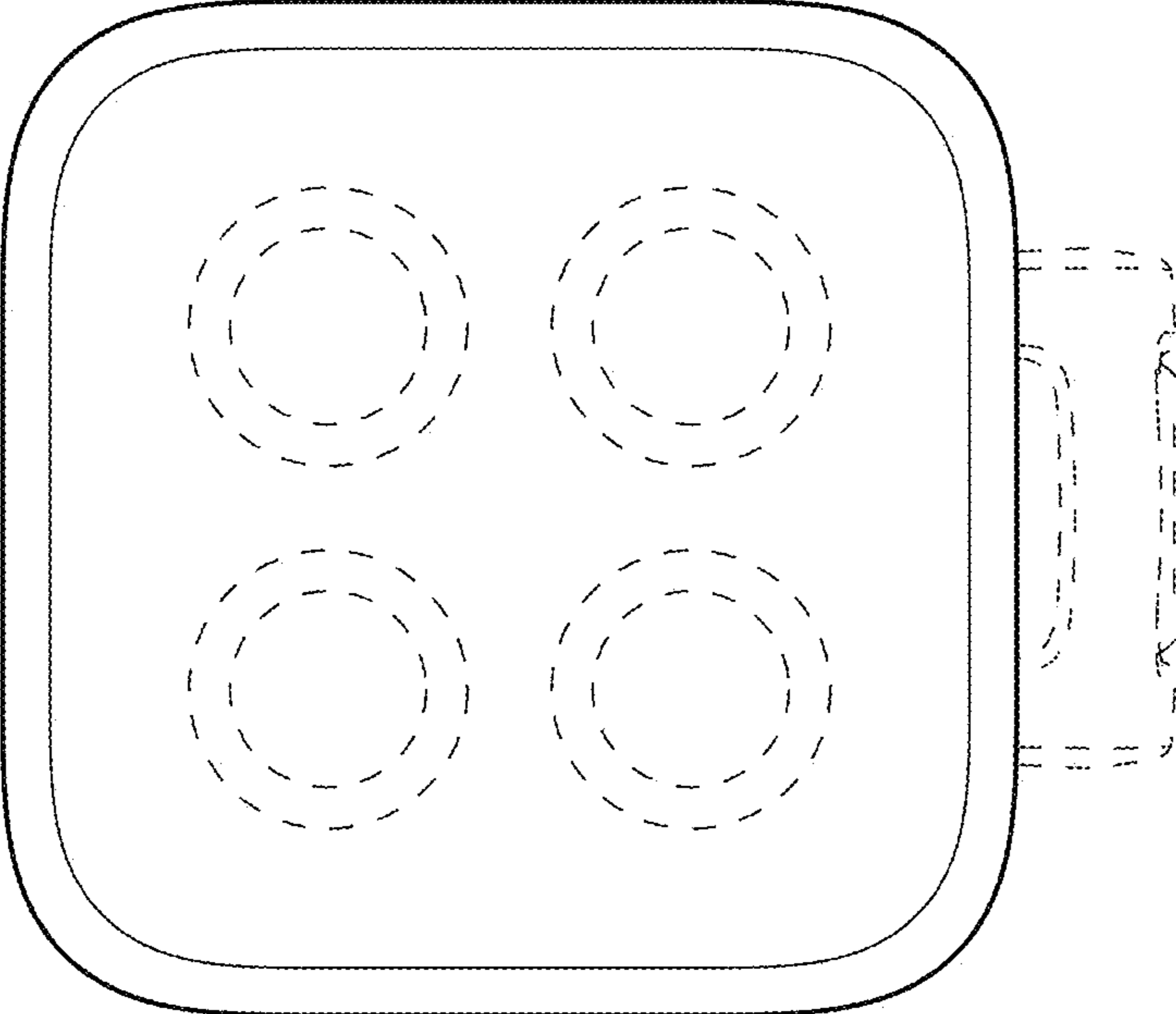


Figure 11

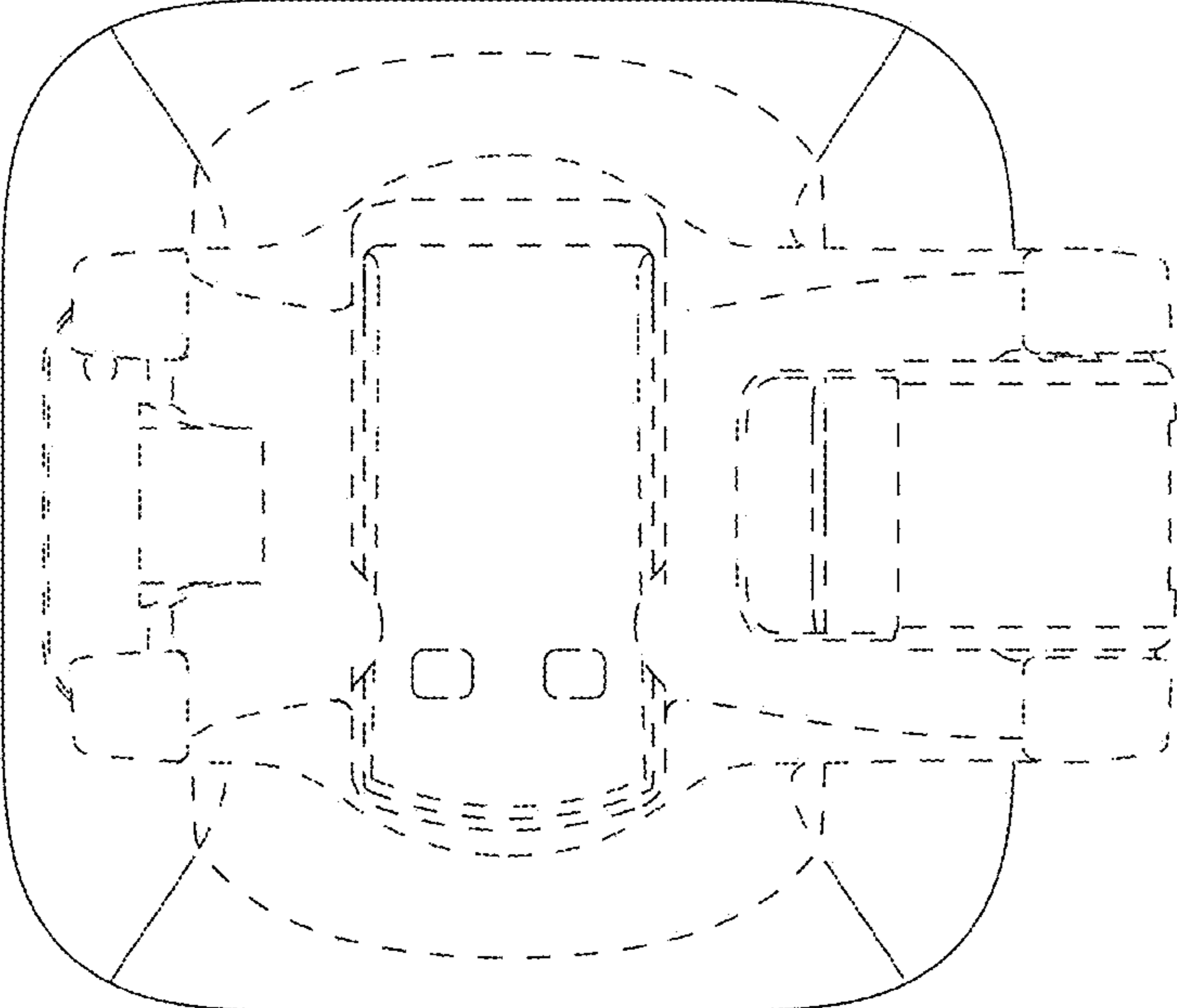


Figure 12



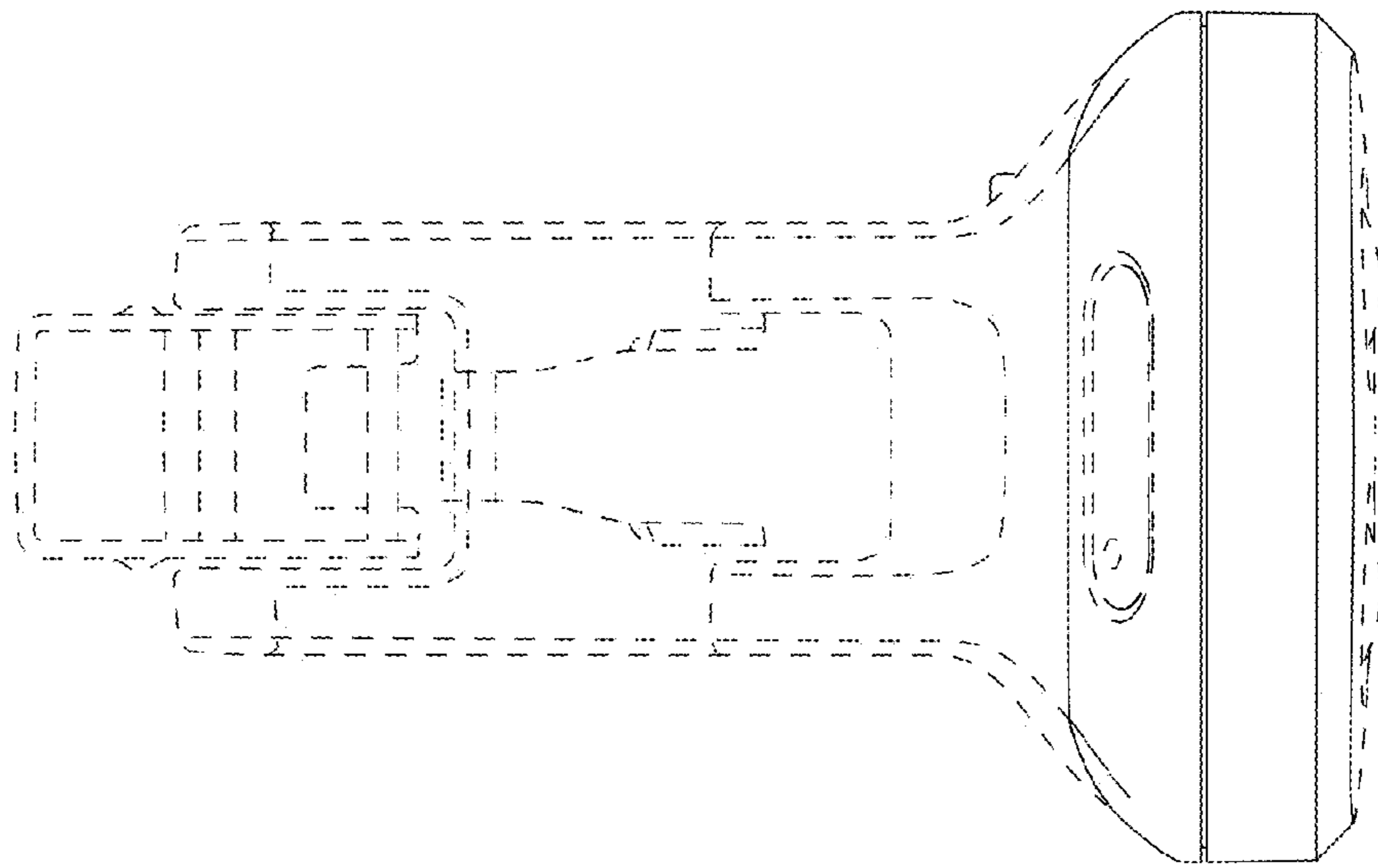


Figure 13

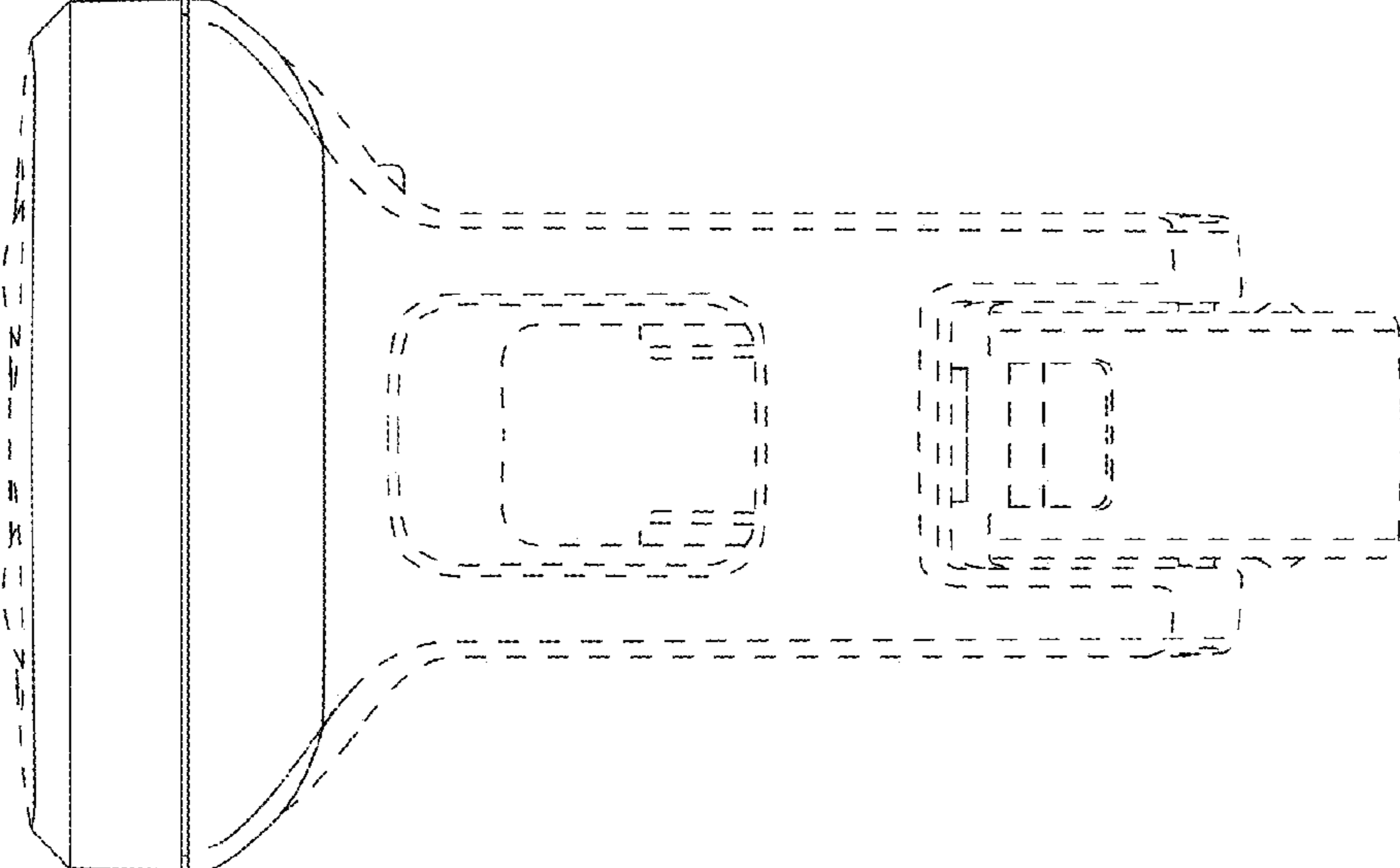


Figure 14

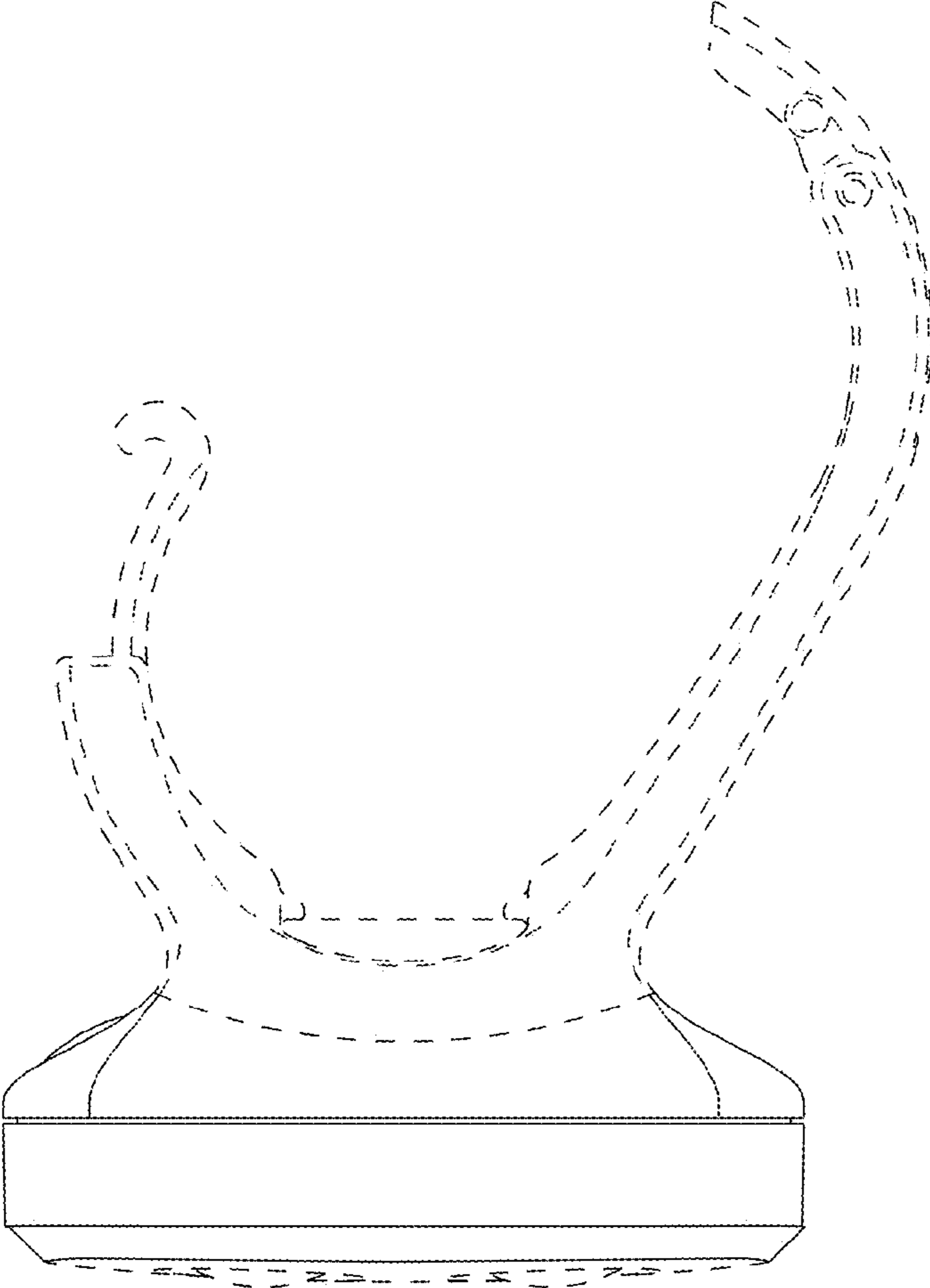


Figure 15

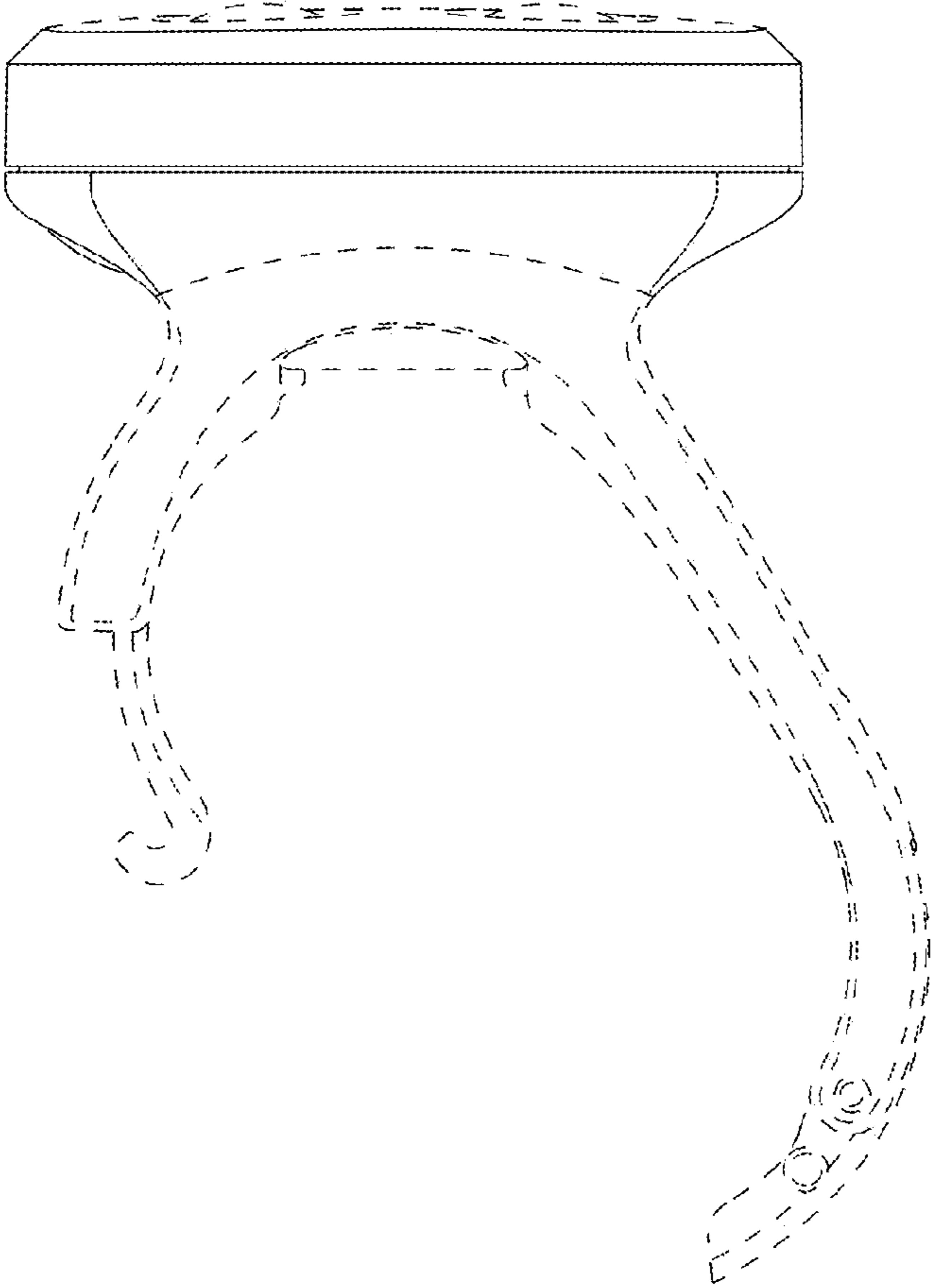


Figure 16

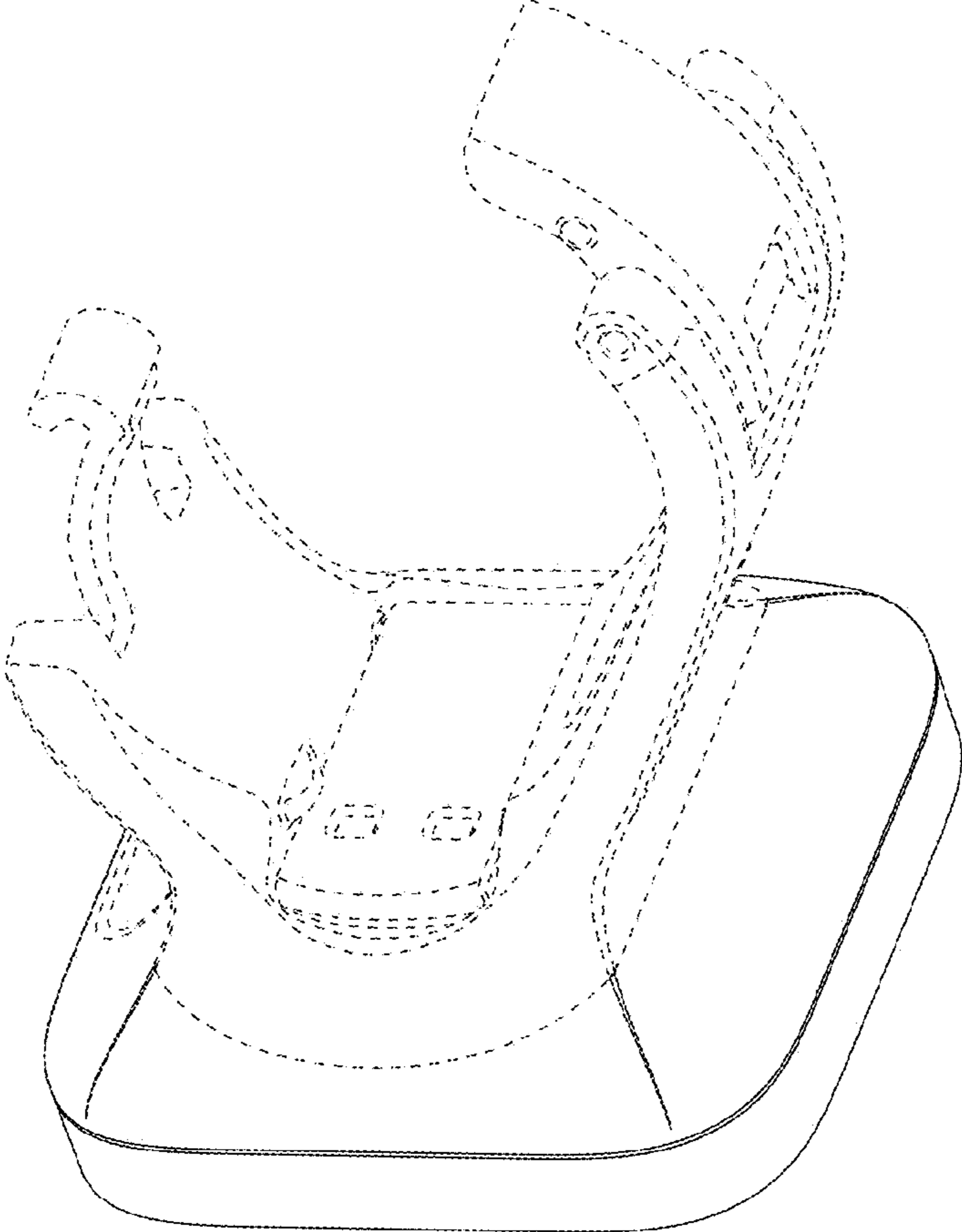


Figure 17

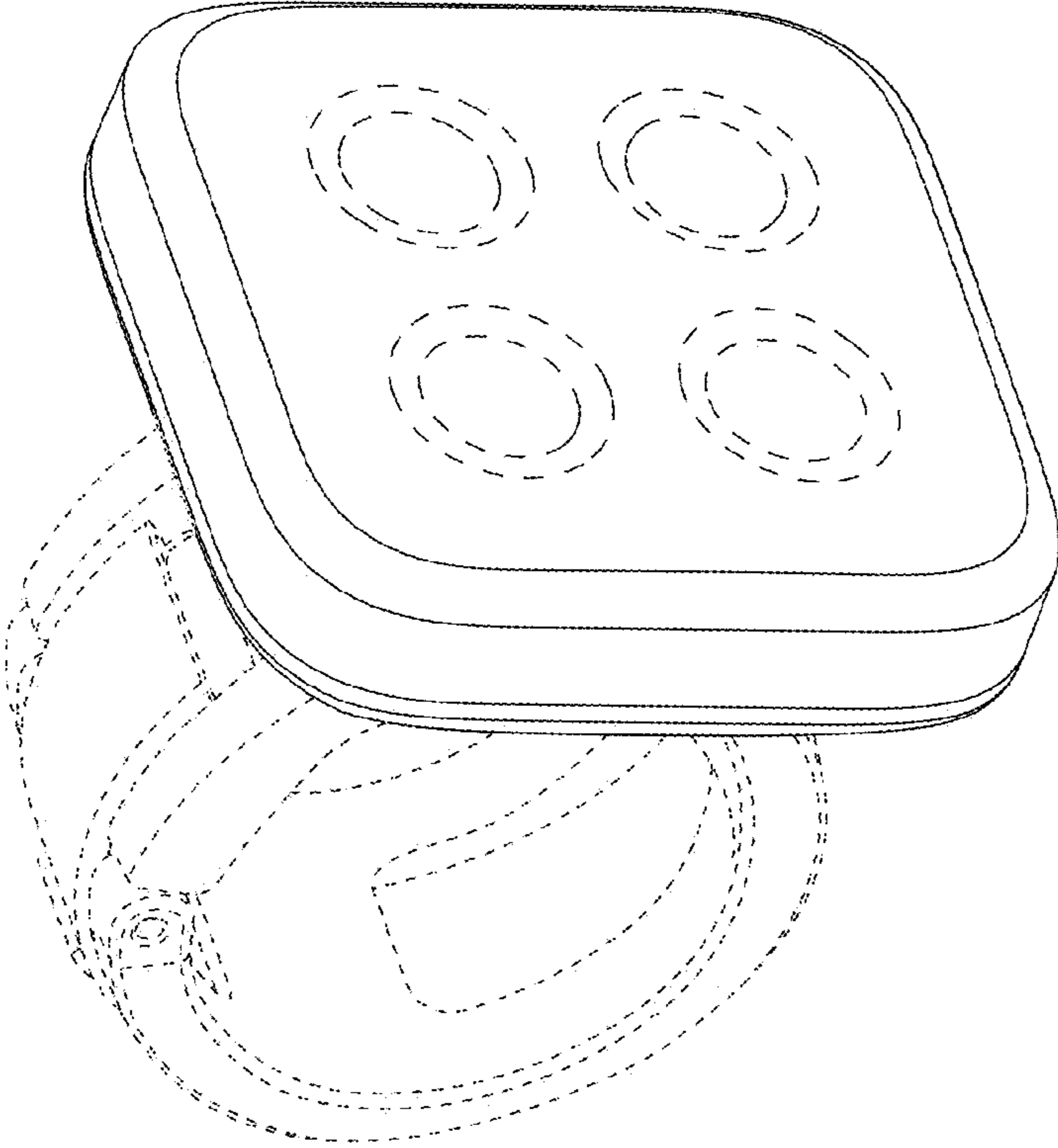


Figure 18



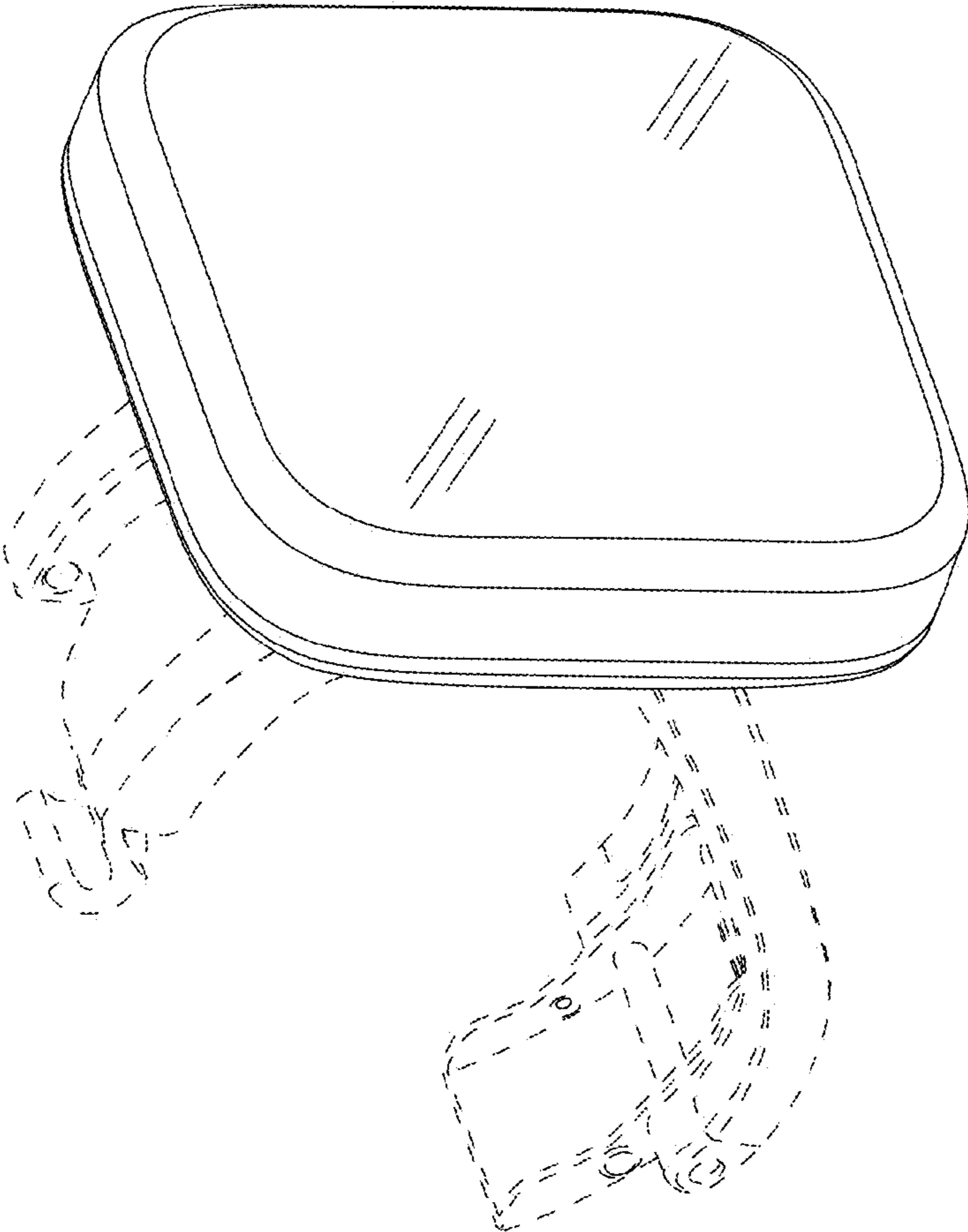


Figure 19

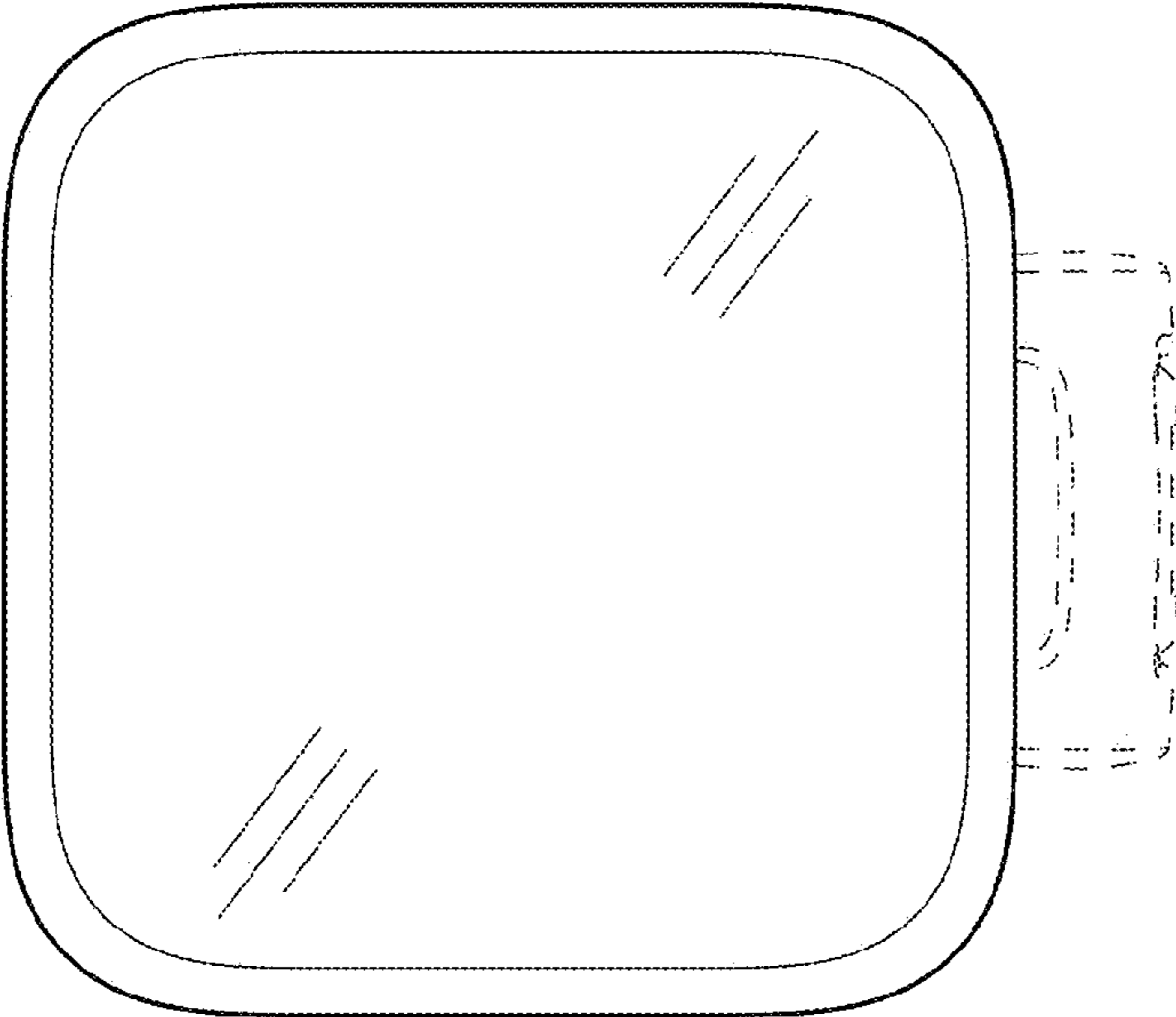


Figure 20

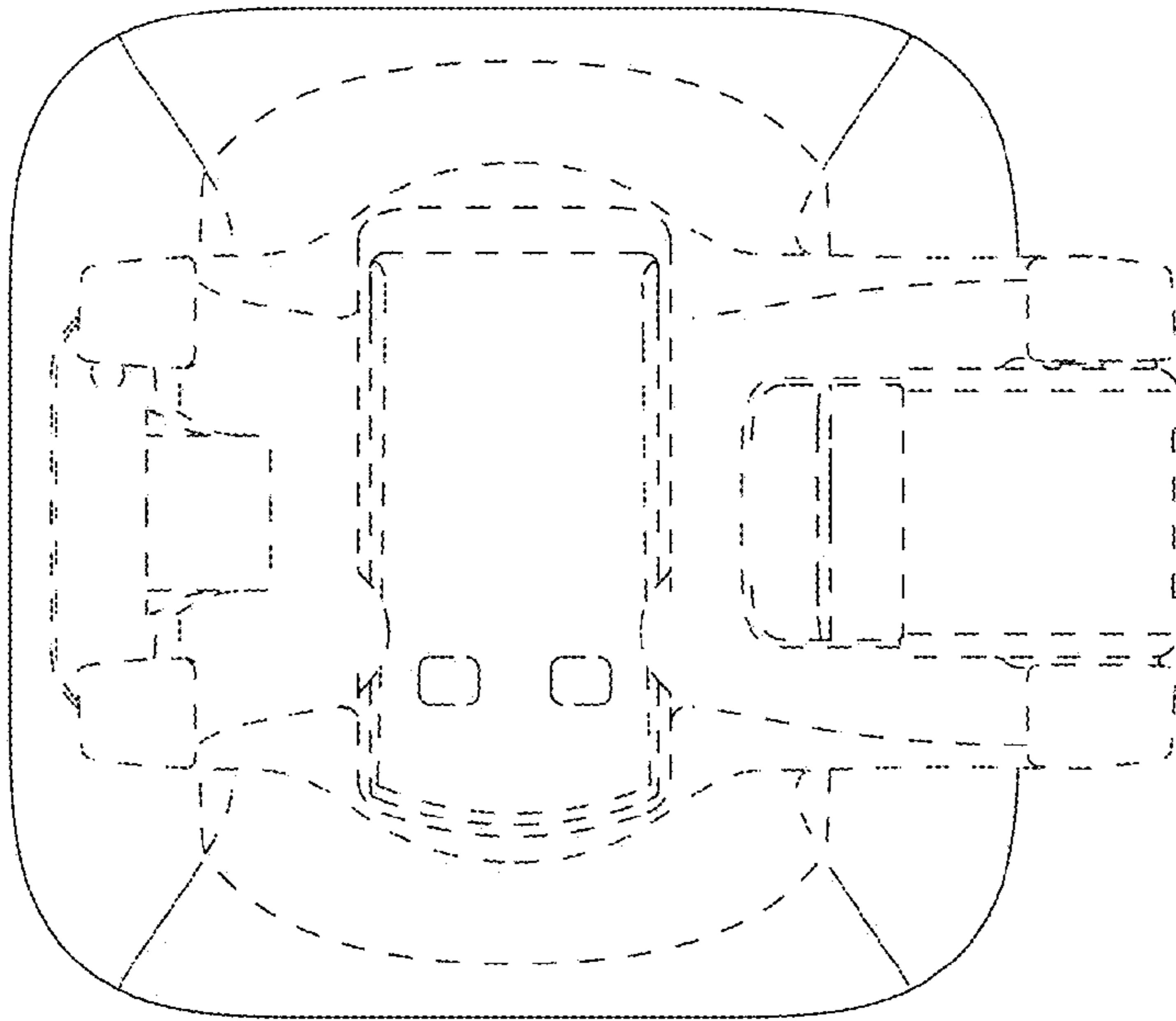


Figure 21

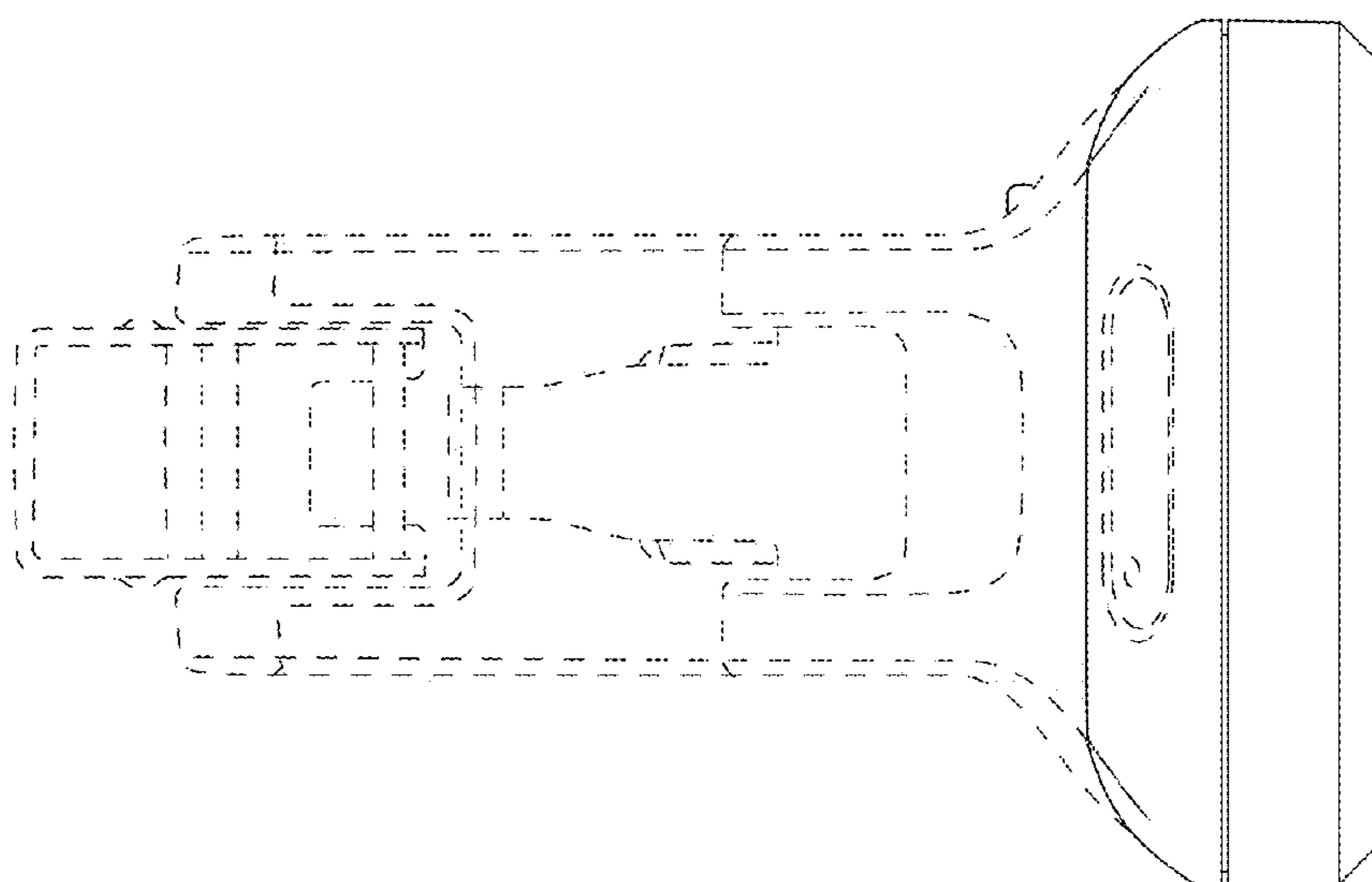


Figure 22

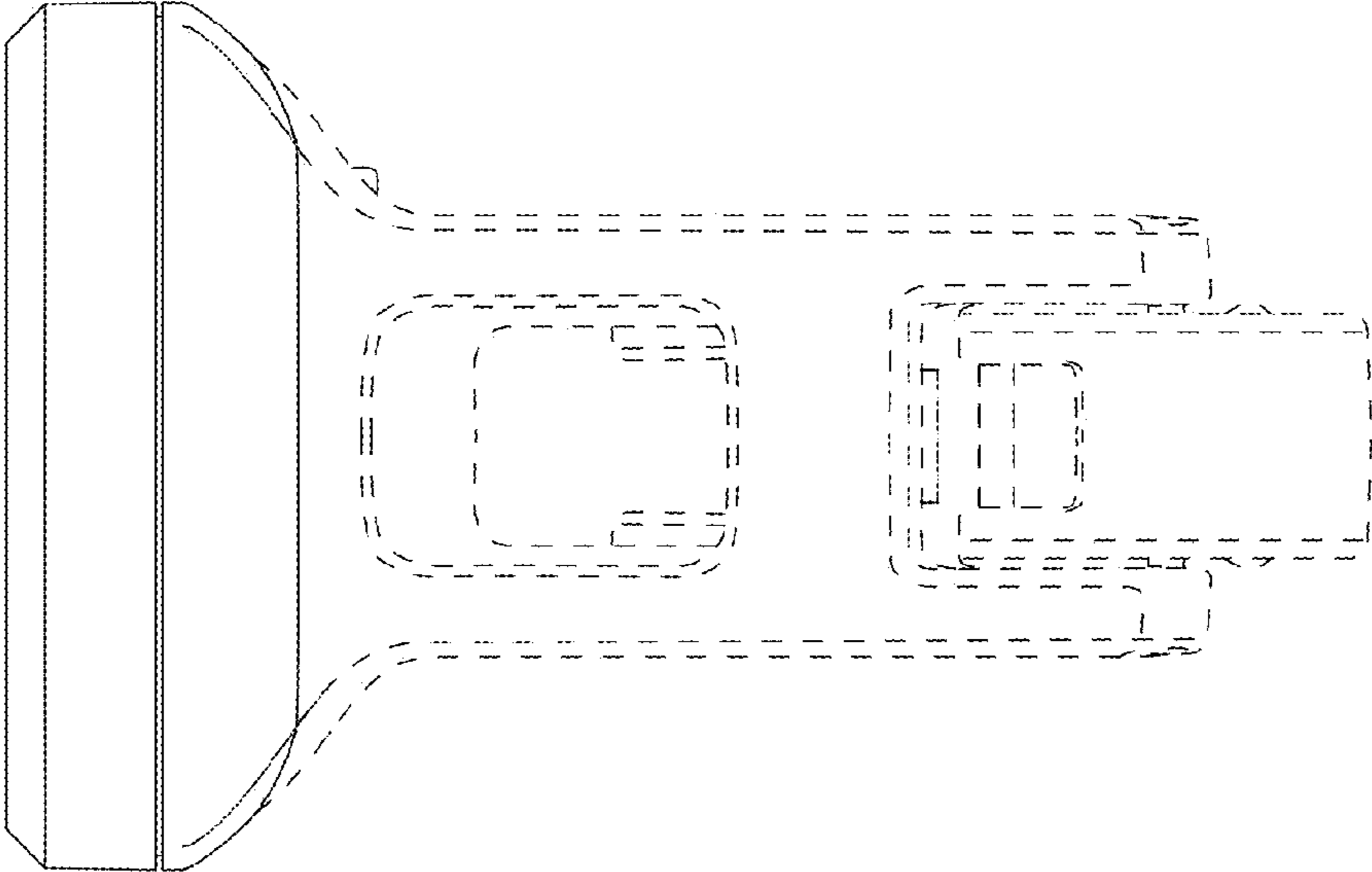


Figure 23

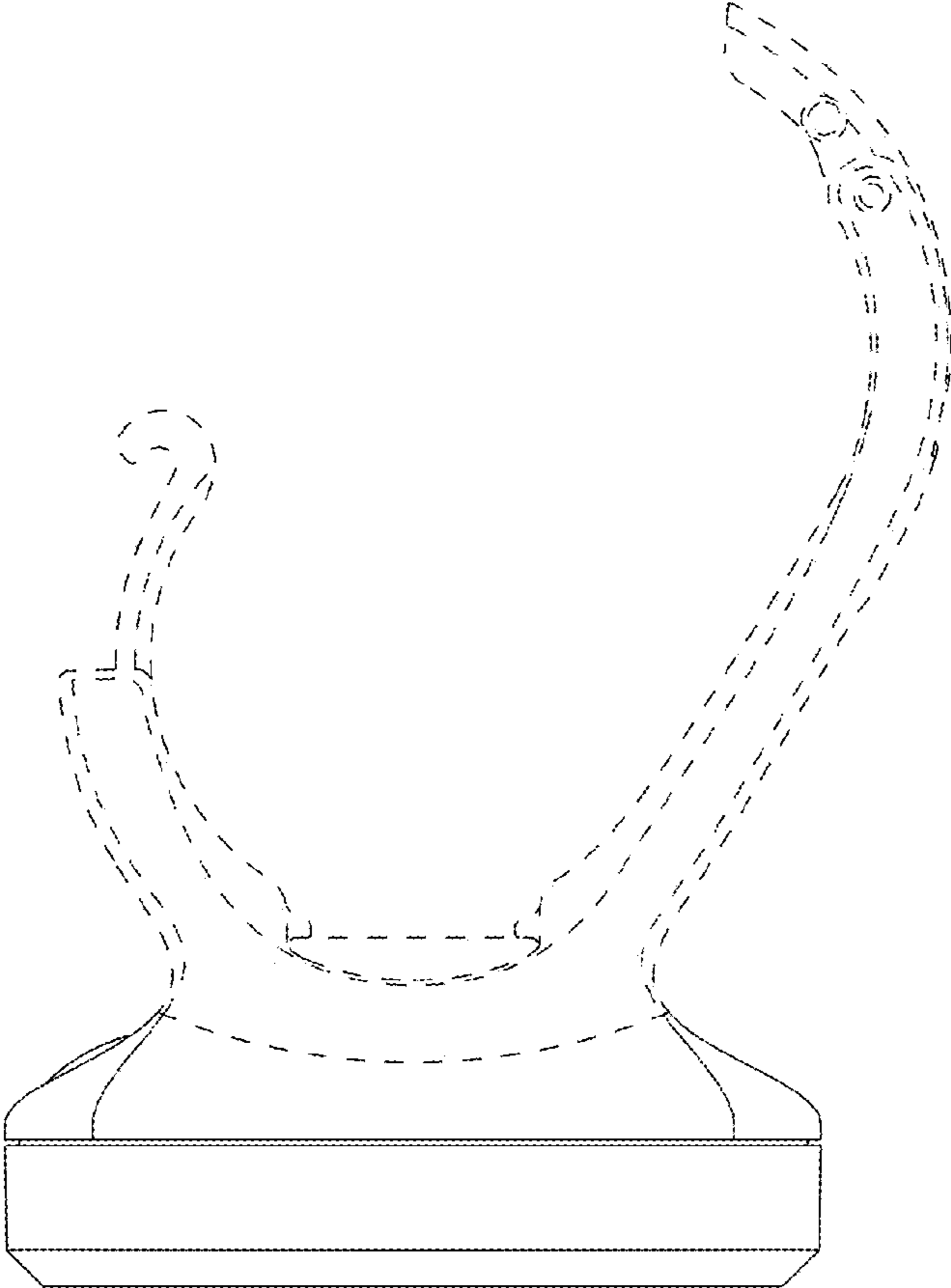


Figure 24



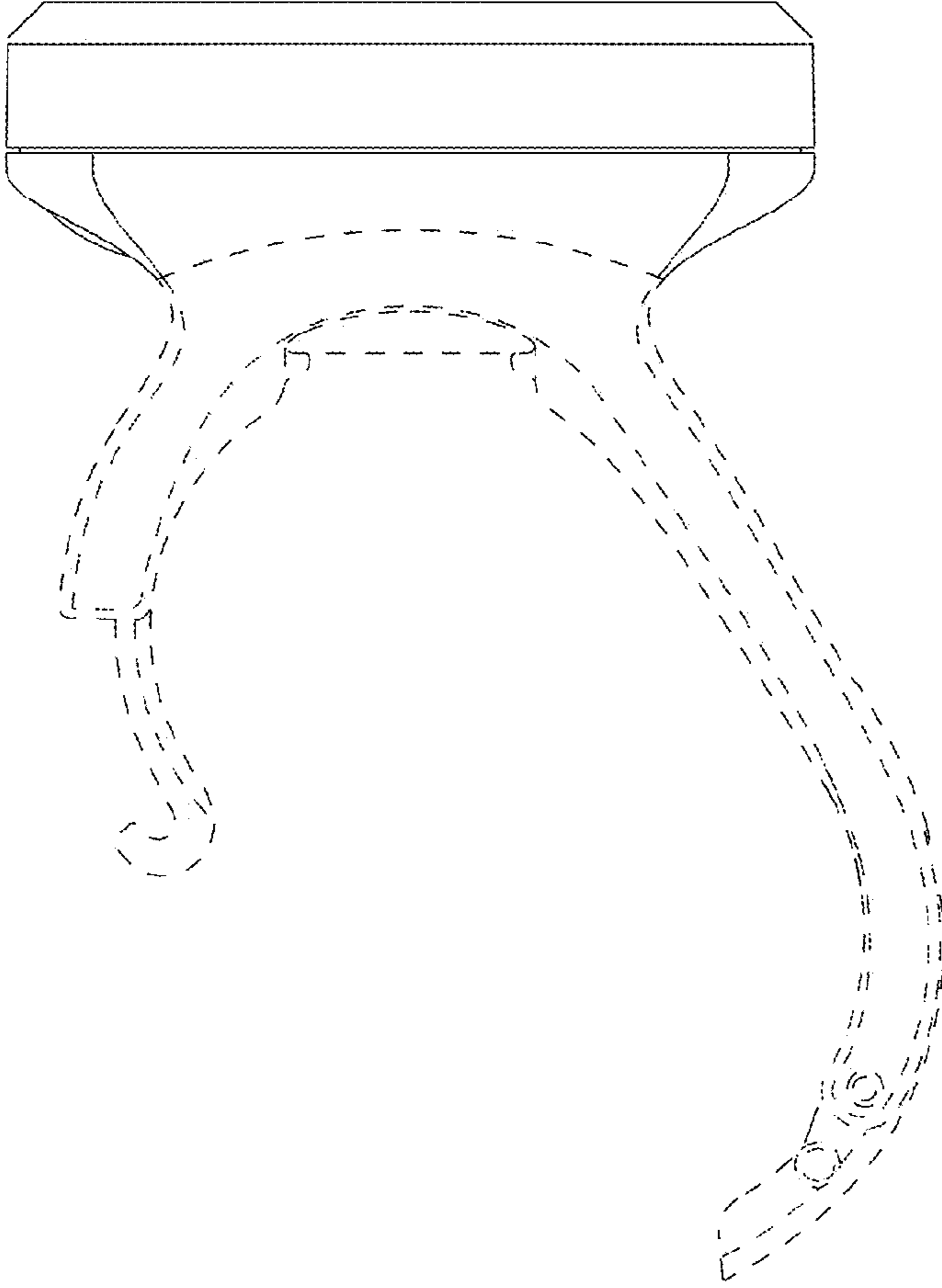


Figure 25

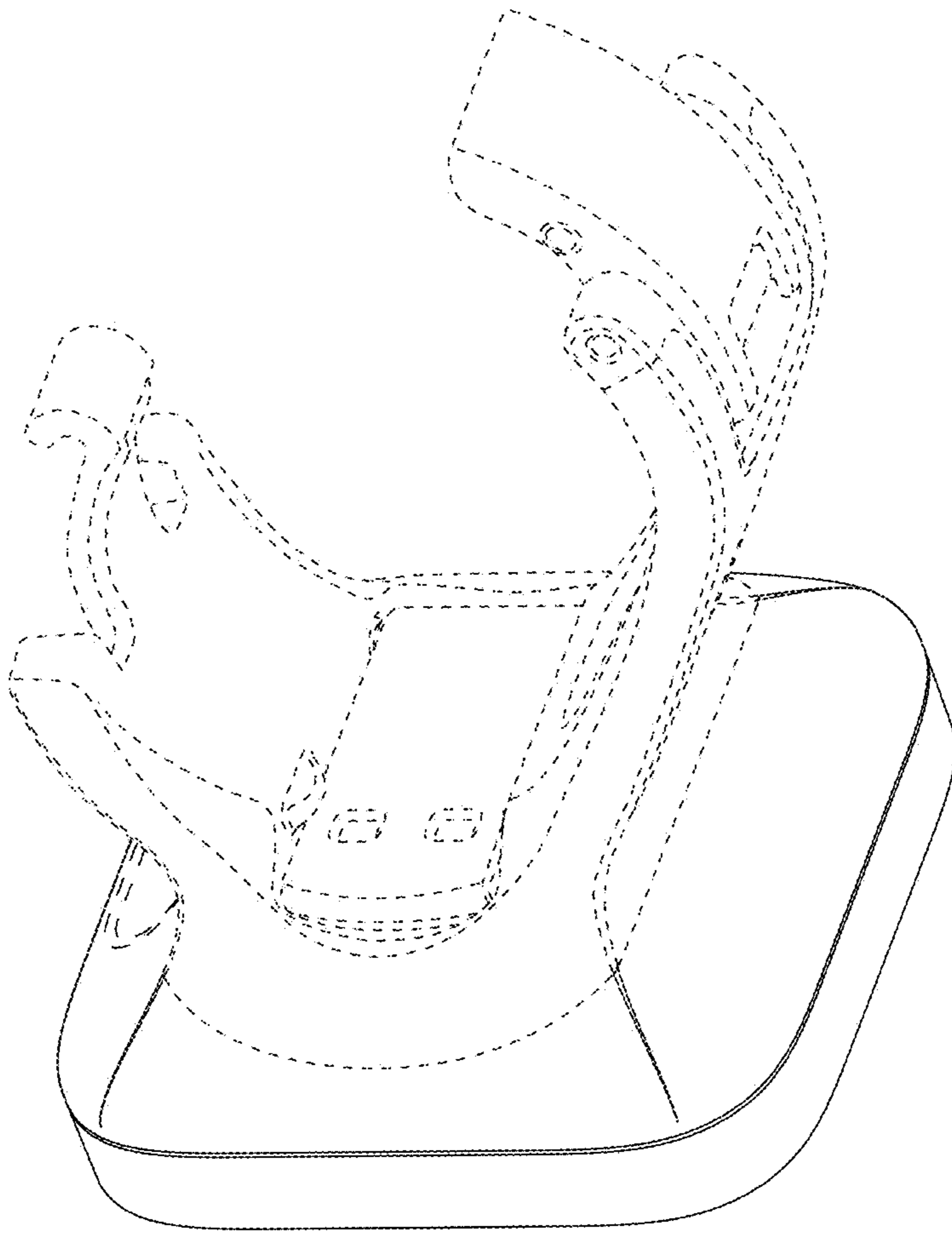


Figure 26

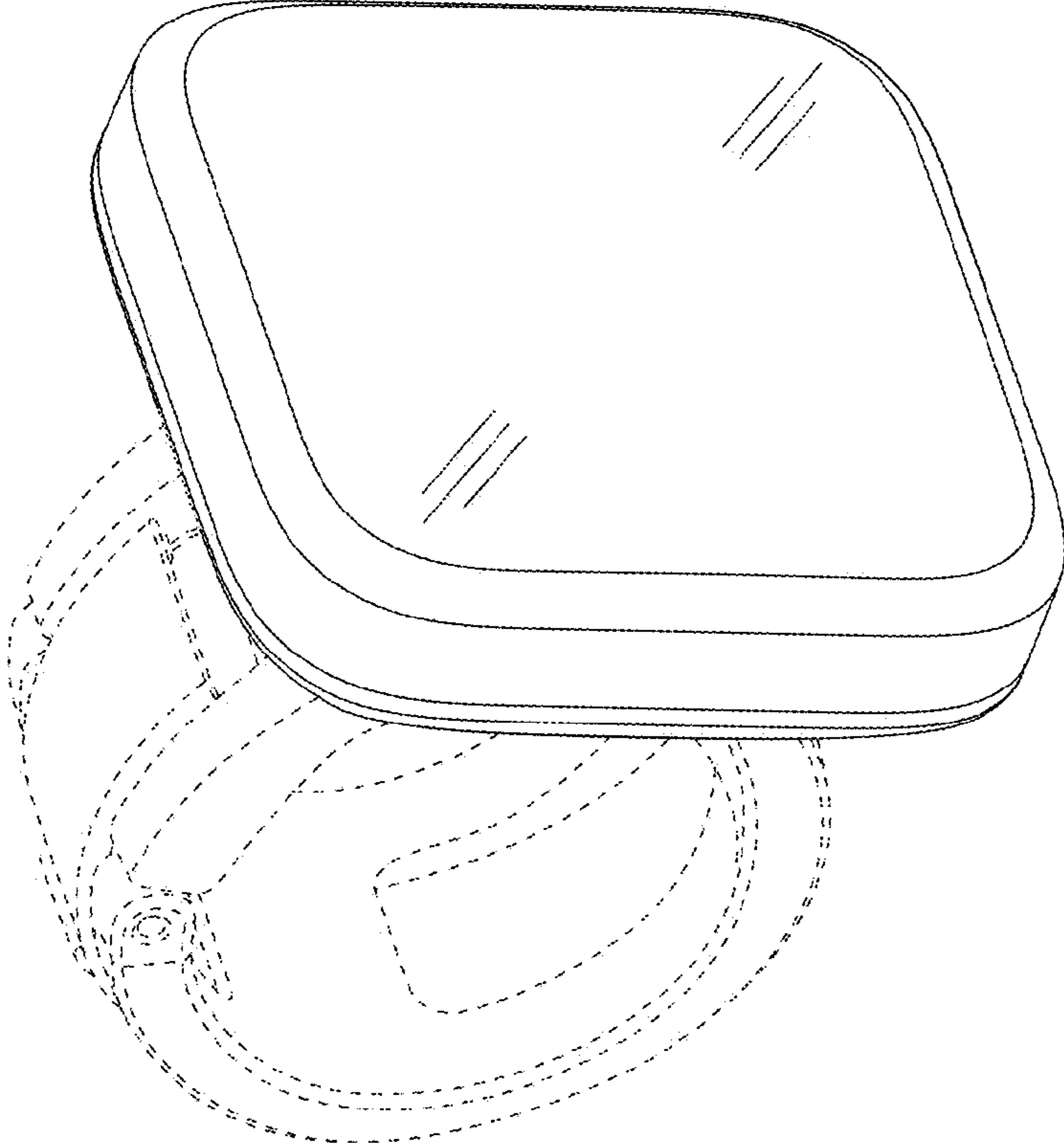


Figure 27

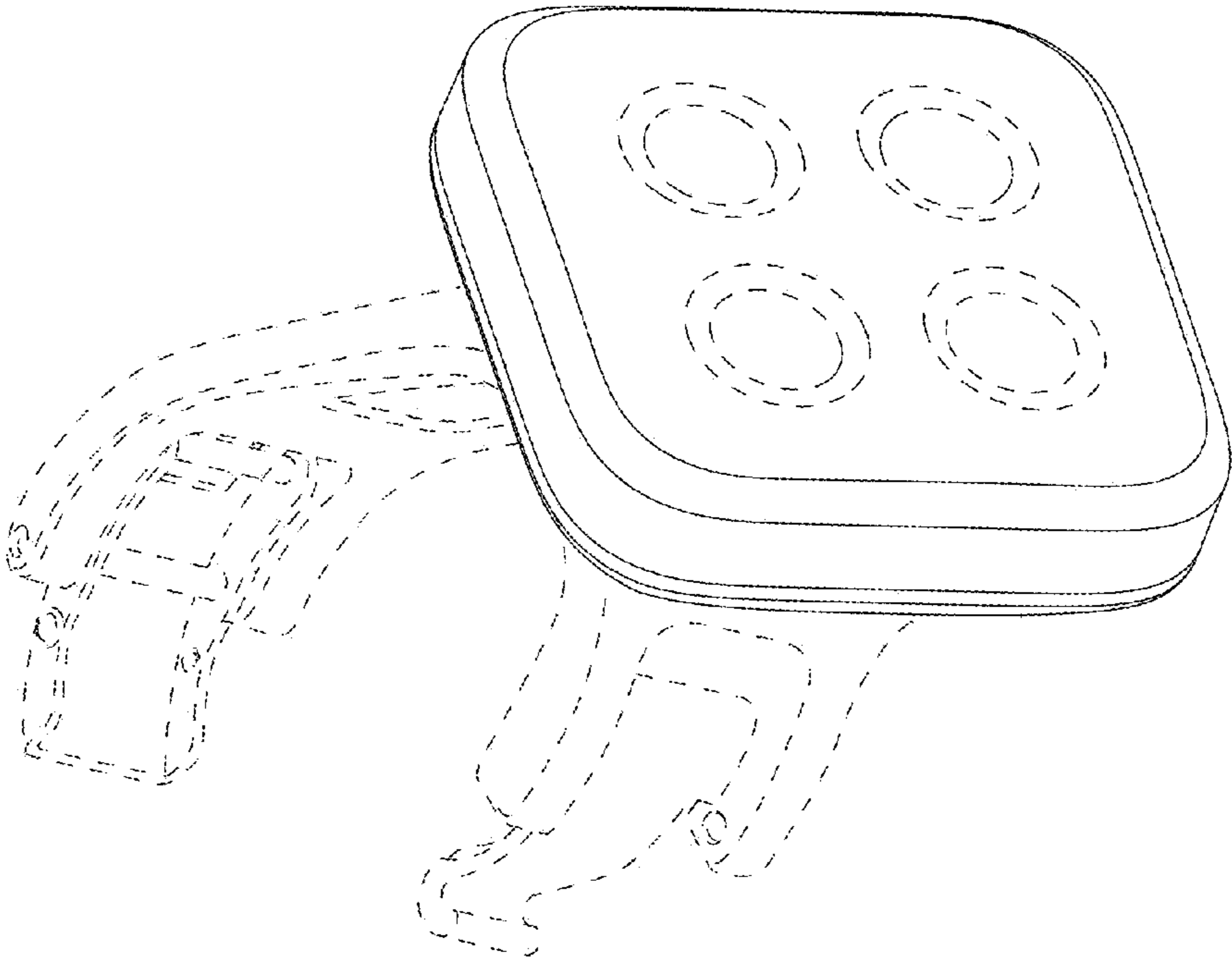


Figure 28

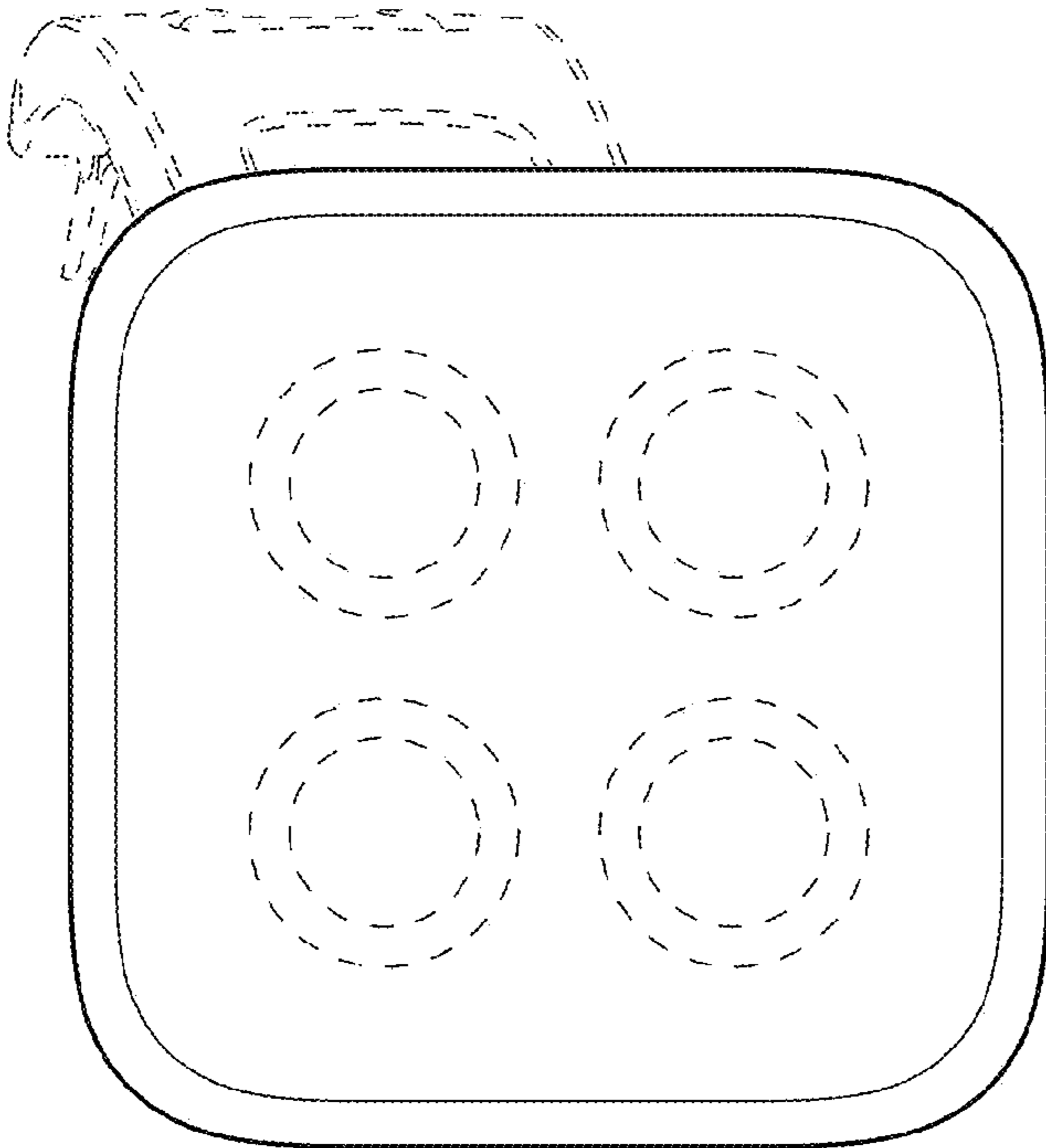


Figure 29

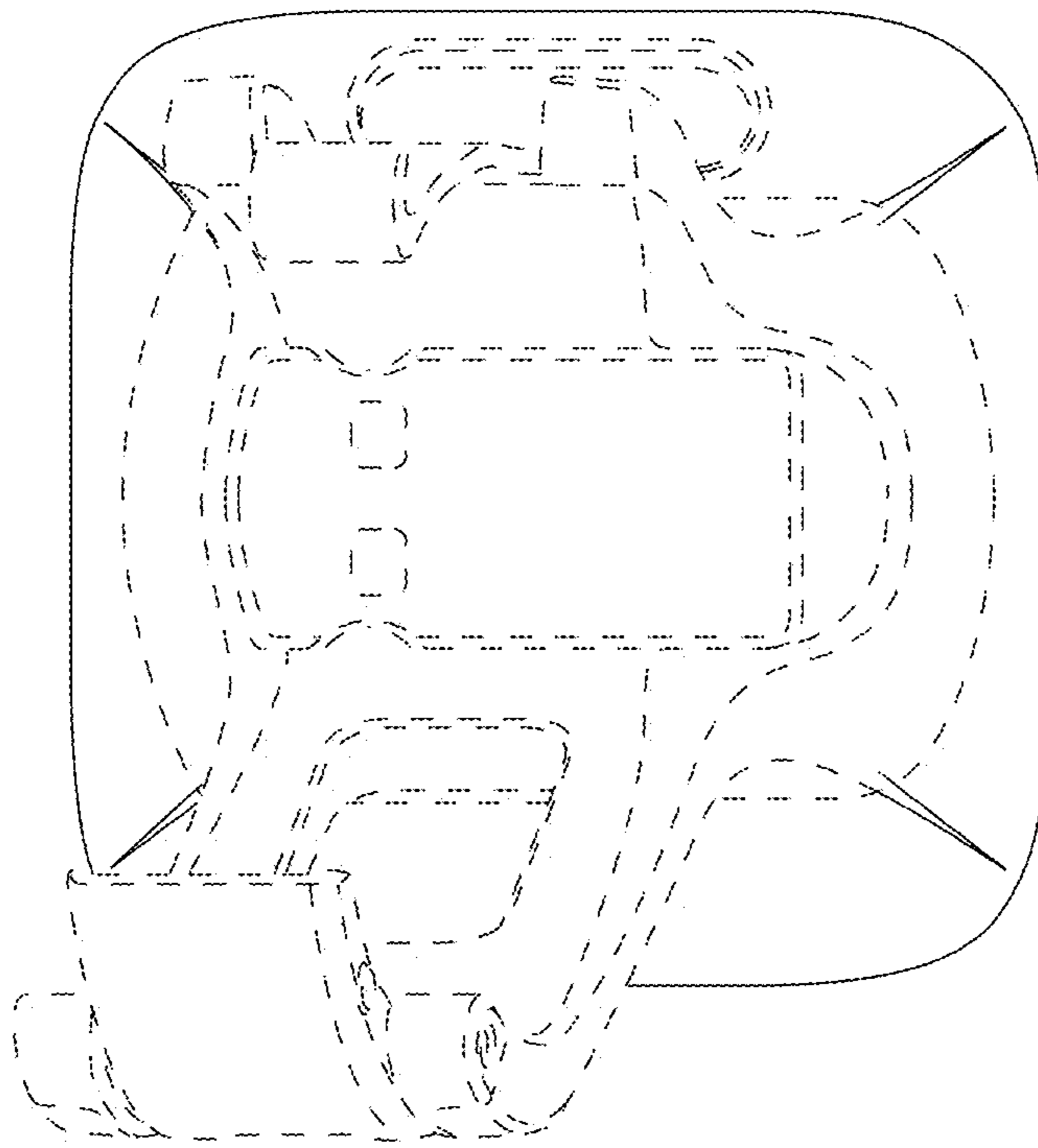


Figure 30



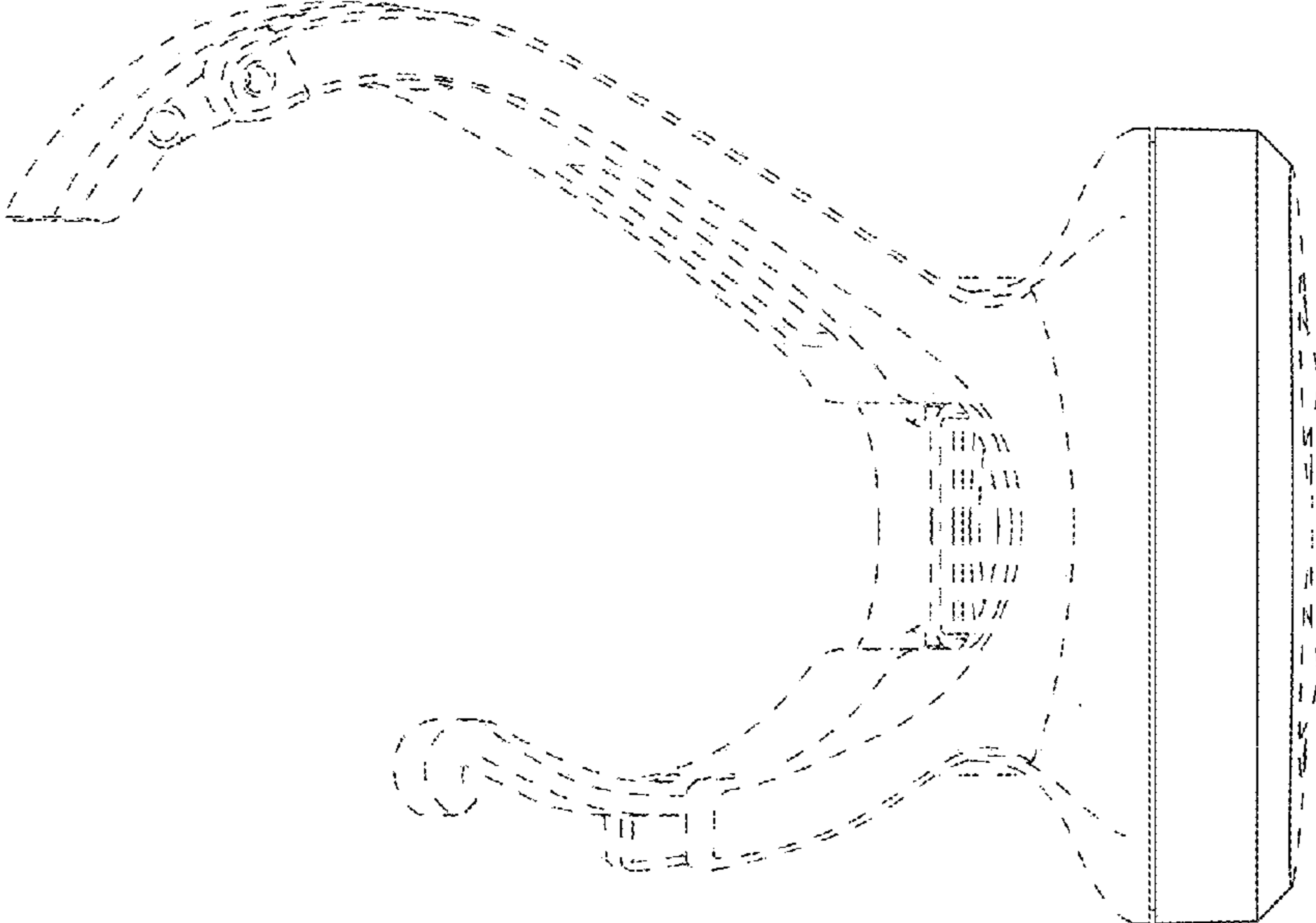


Figure 31

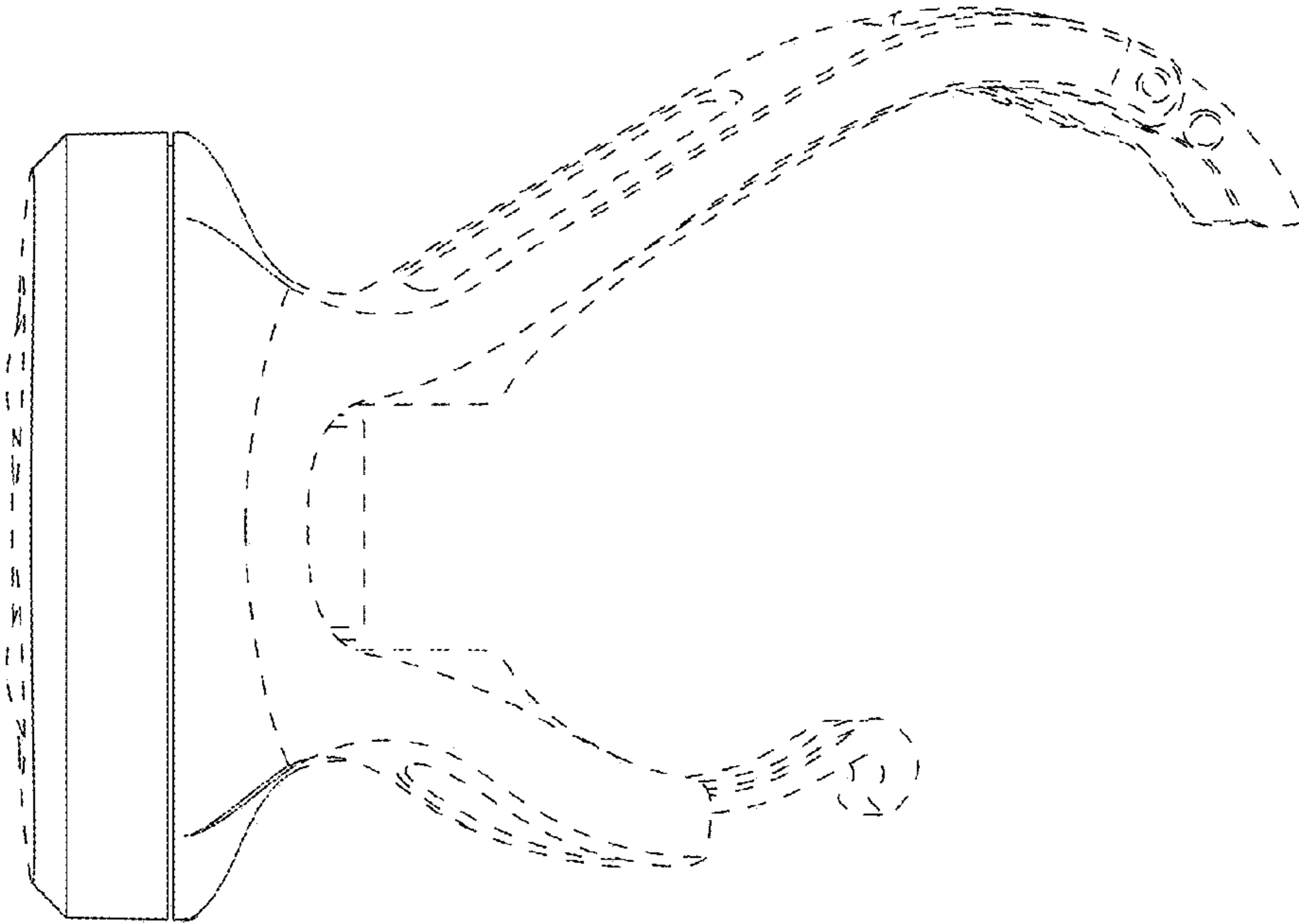


Figure 32

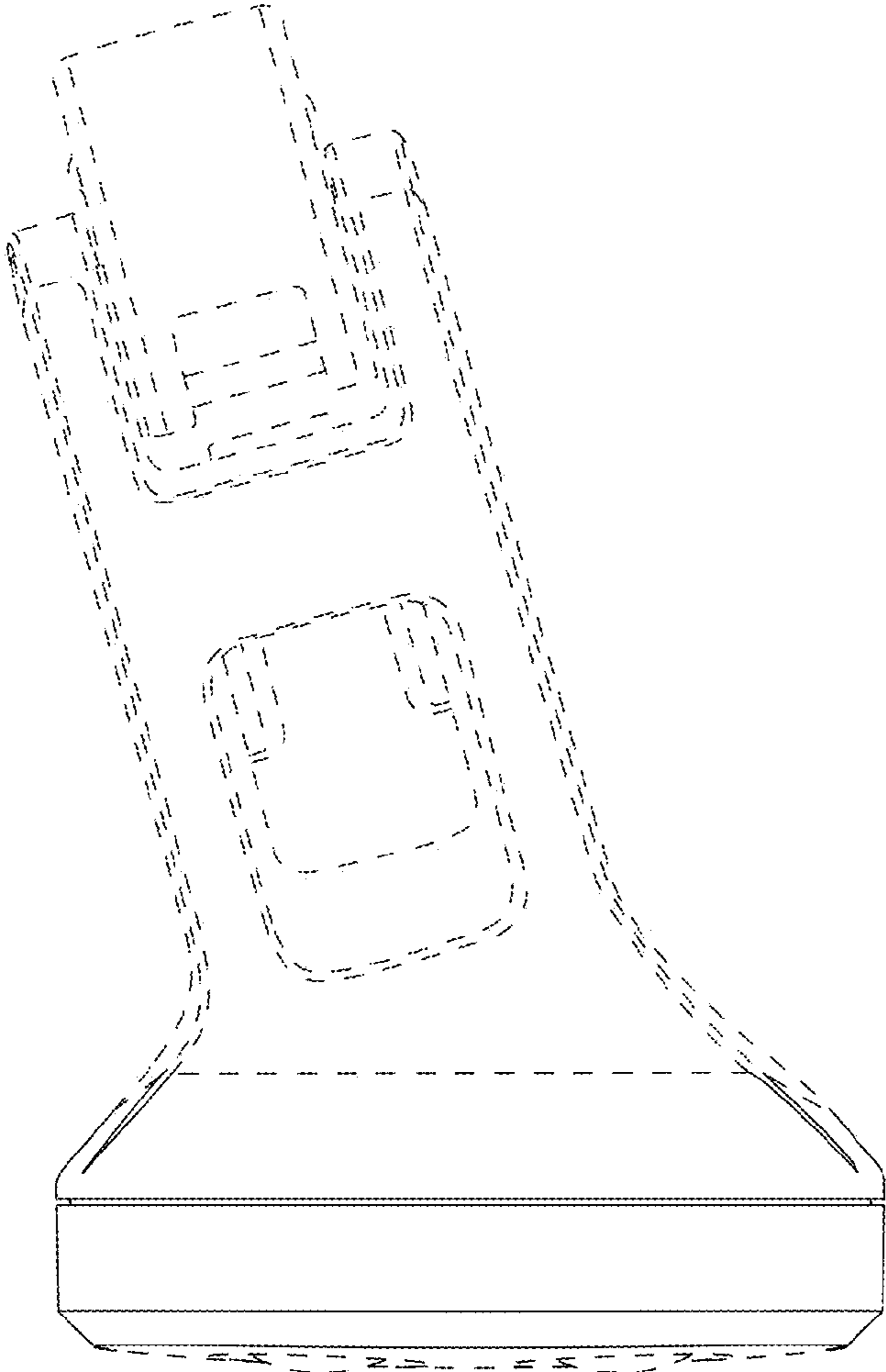


Figure 33

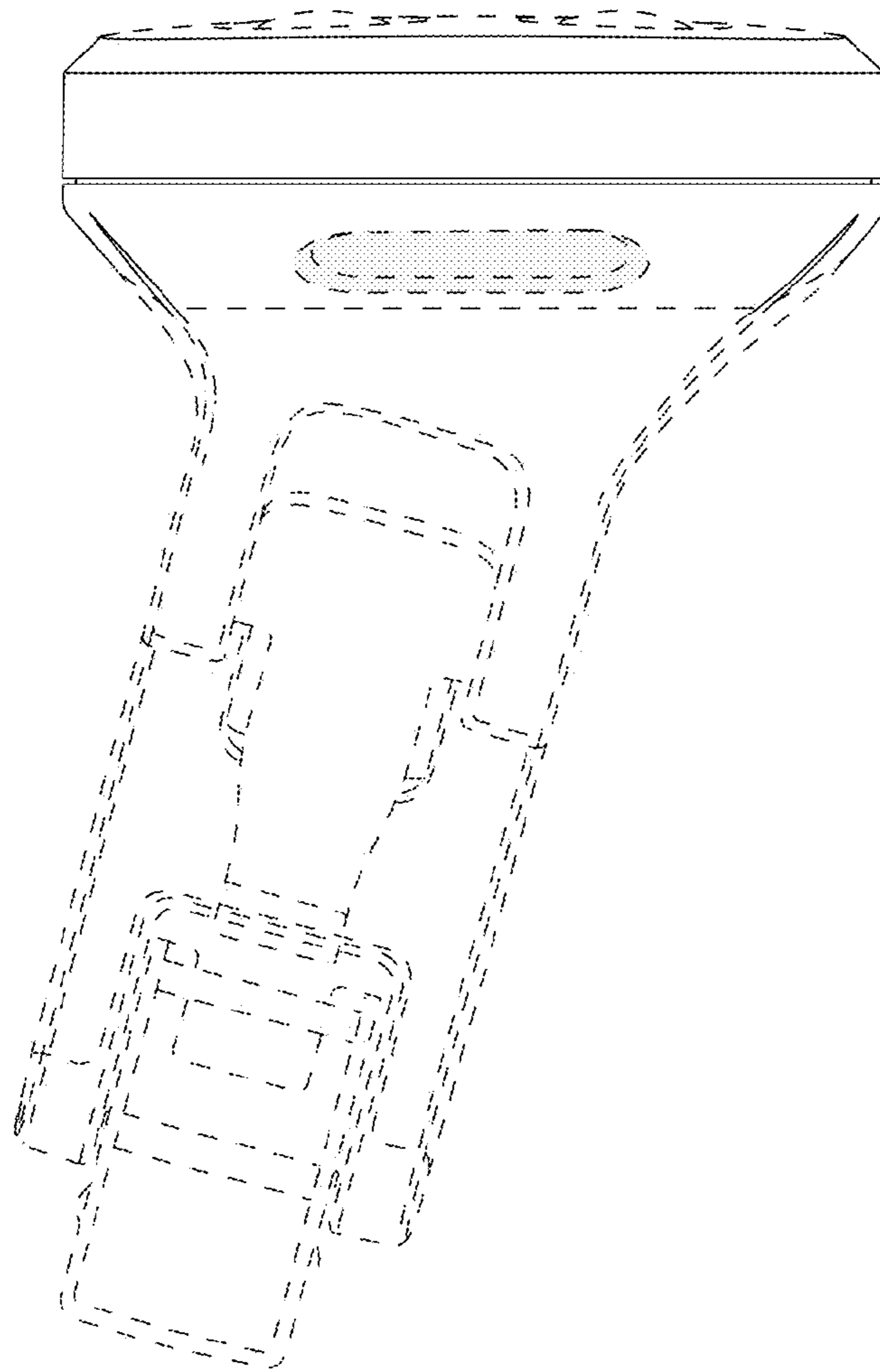


Figure 34

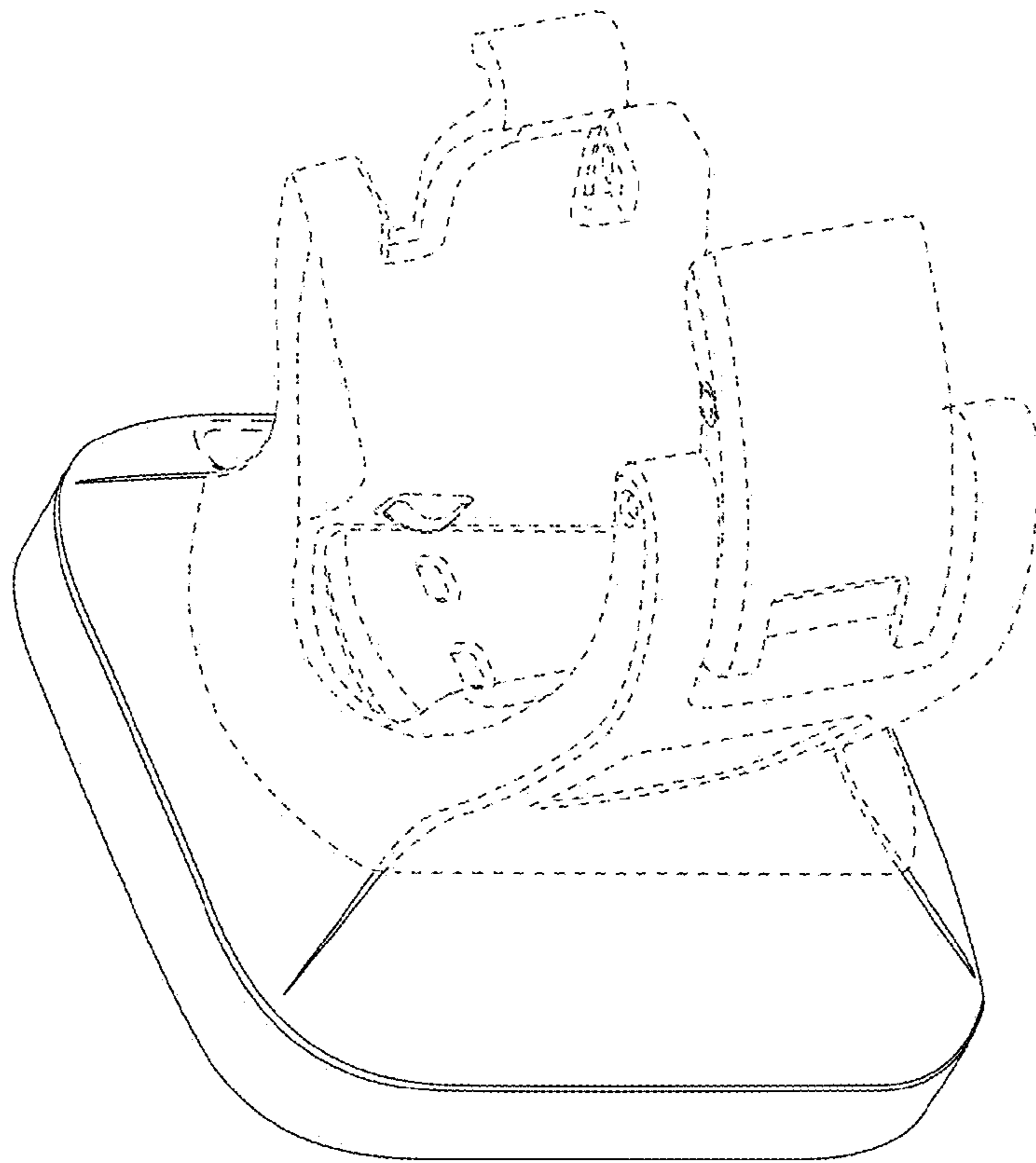


Figure 35

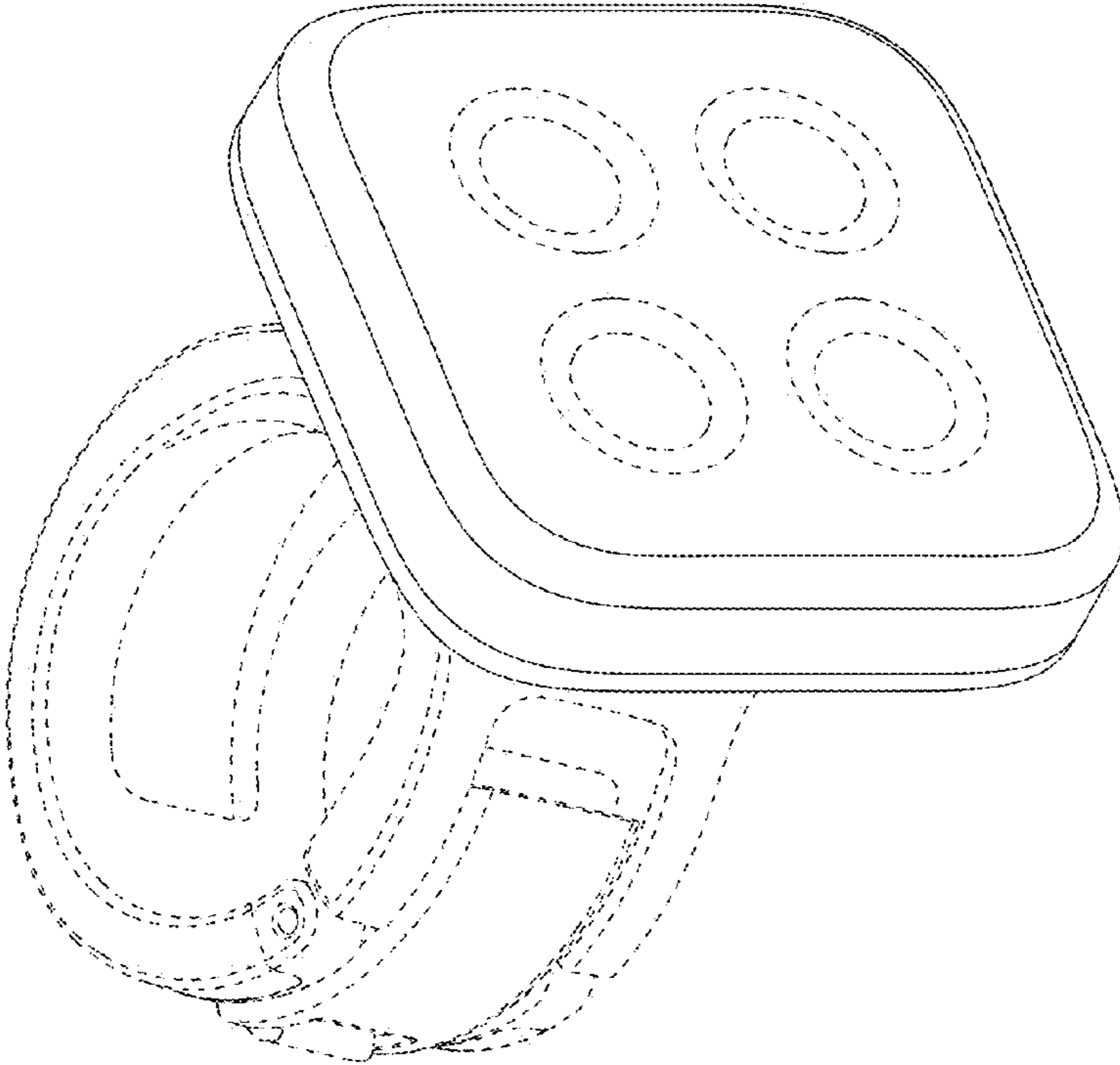


Figure 36

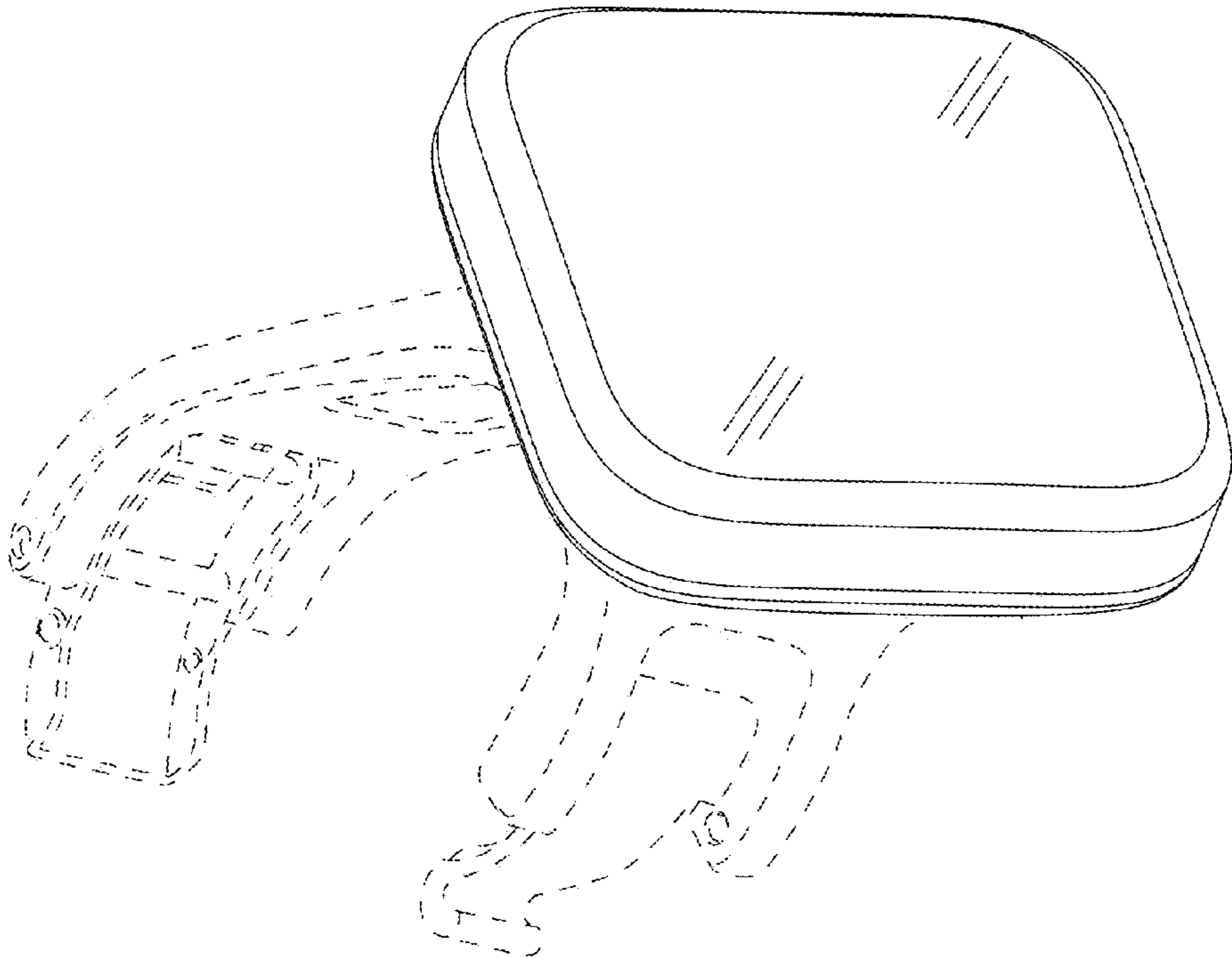


Figure 37

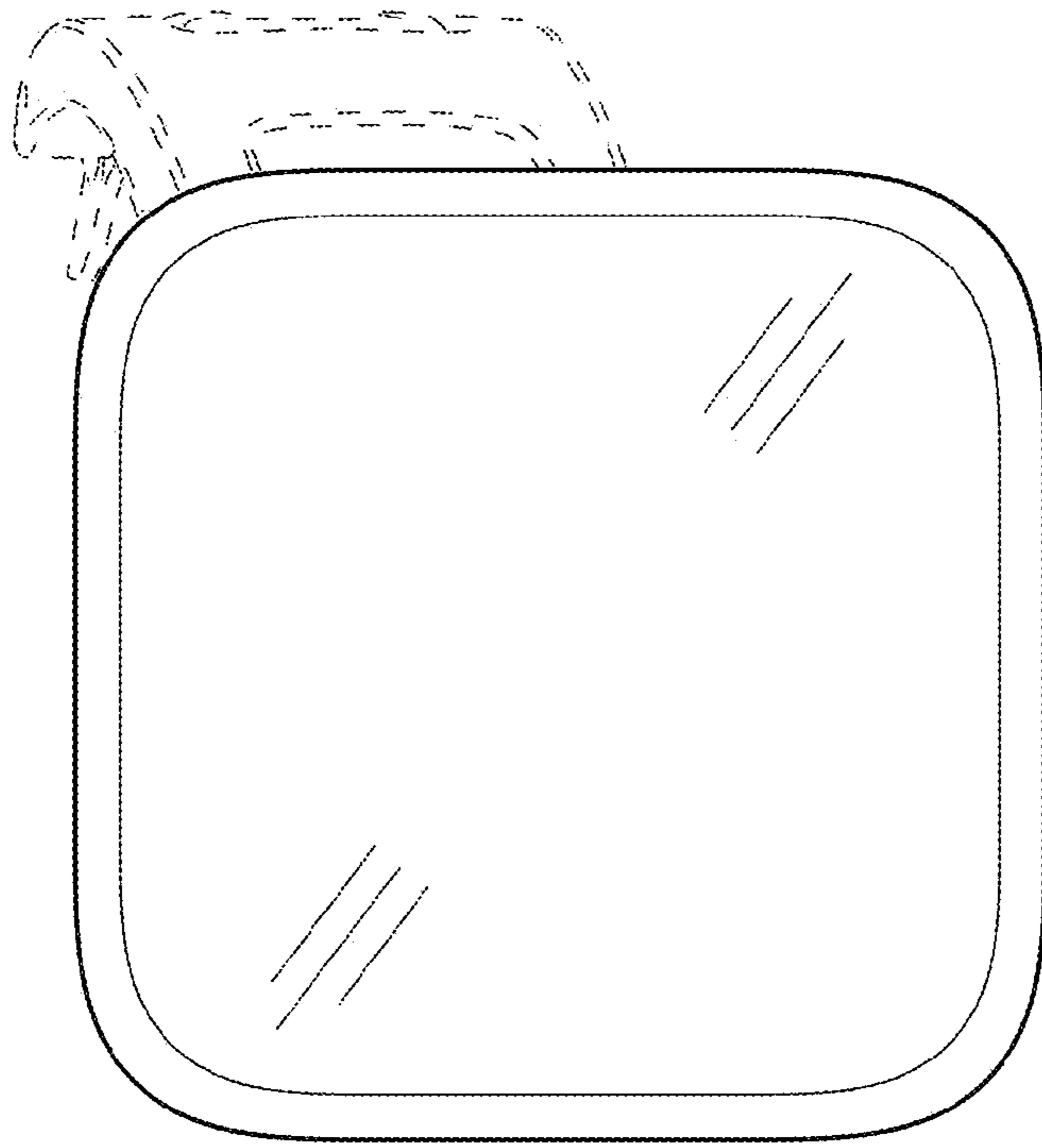


Figure 38



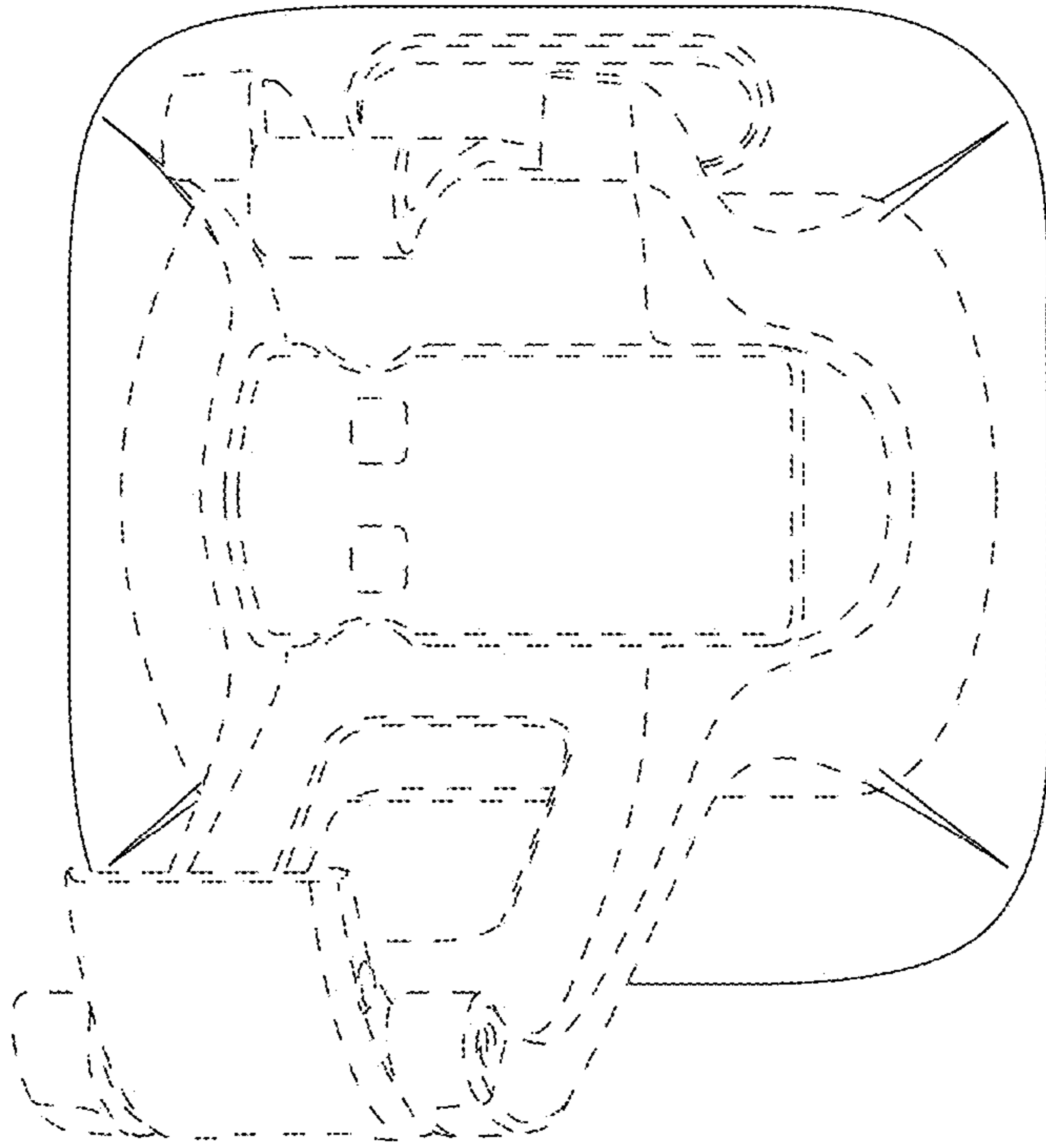


Figure 39

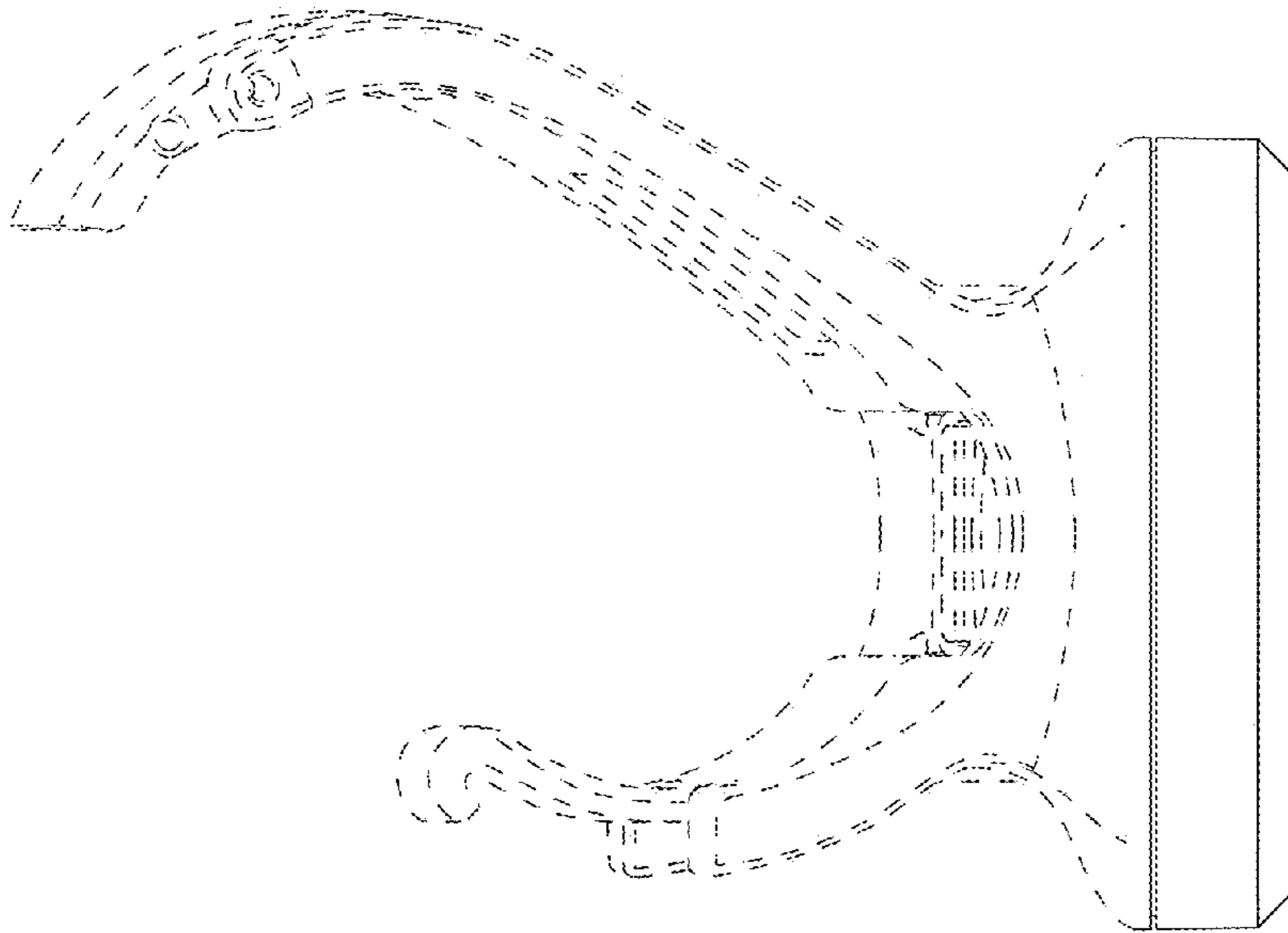


Figure 40

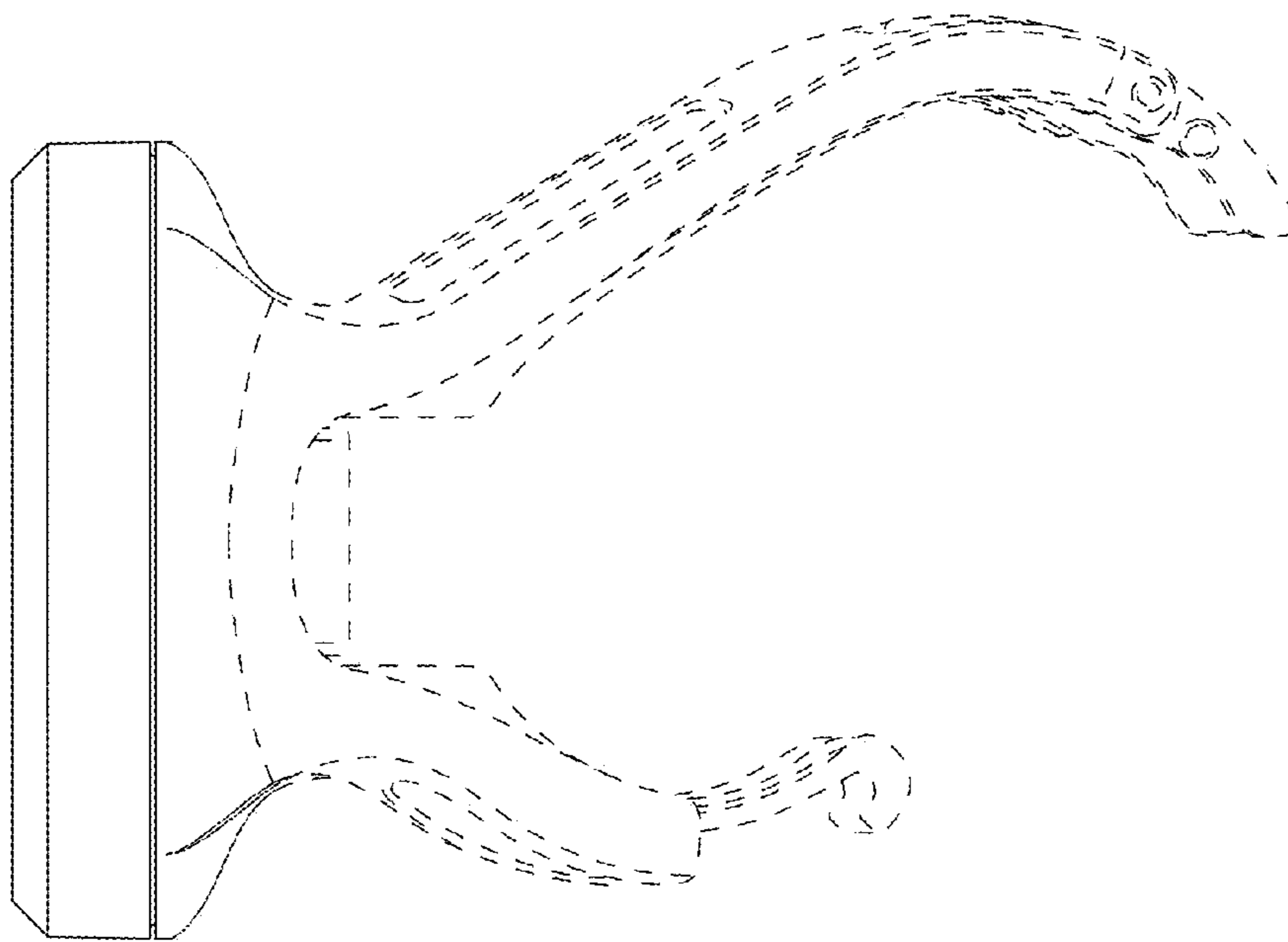


Figure 41

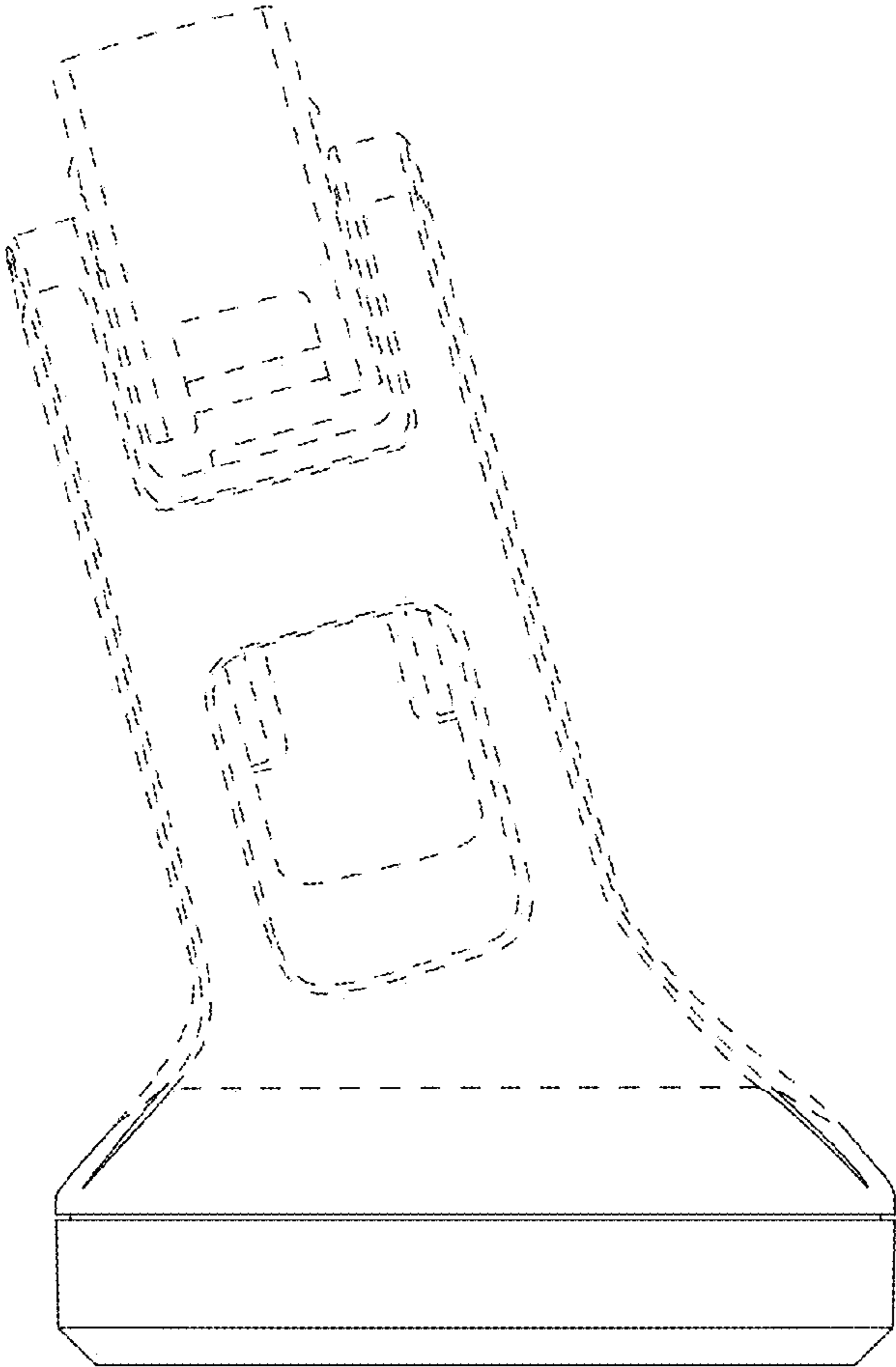


Figure 42

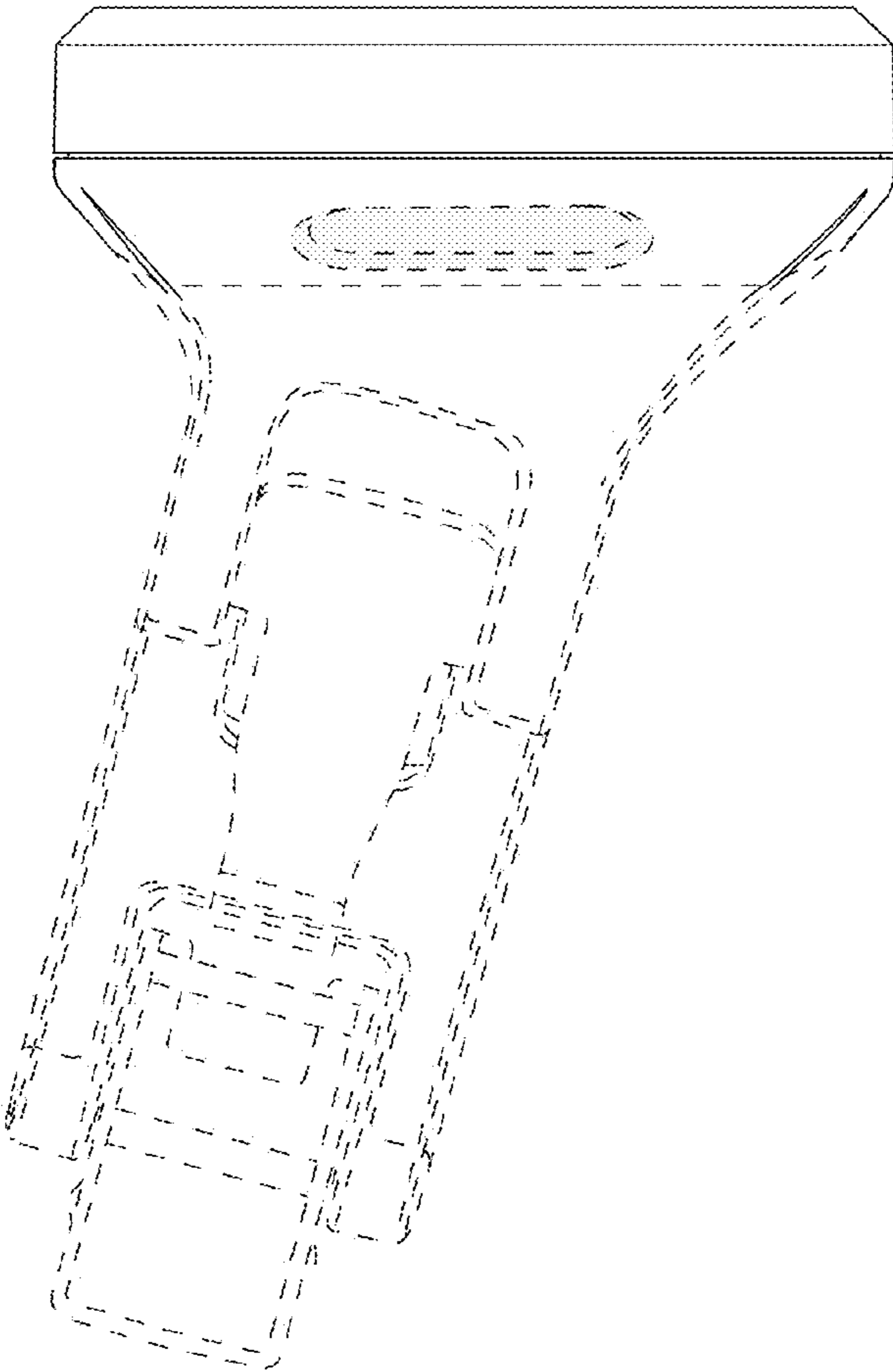


Figure 43

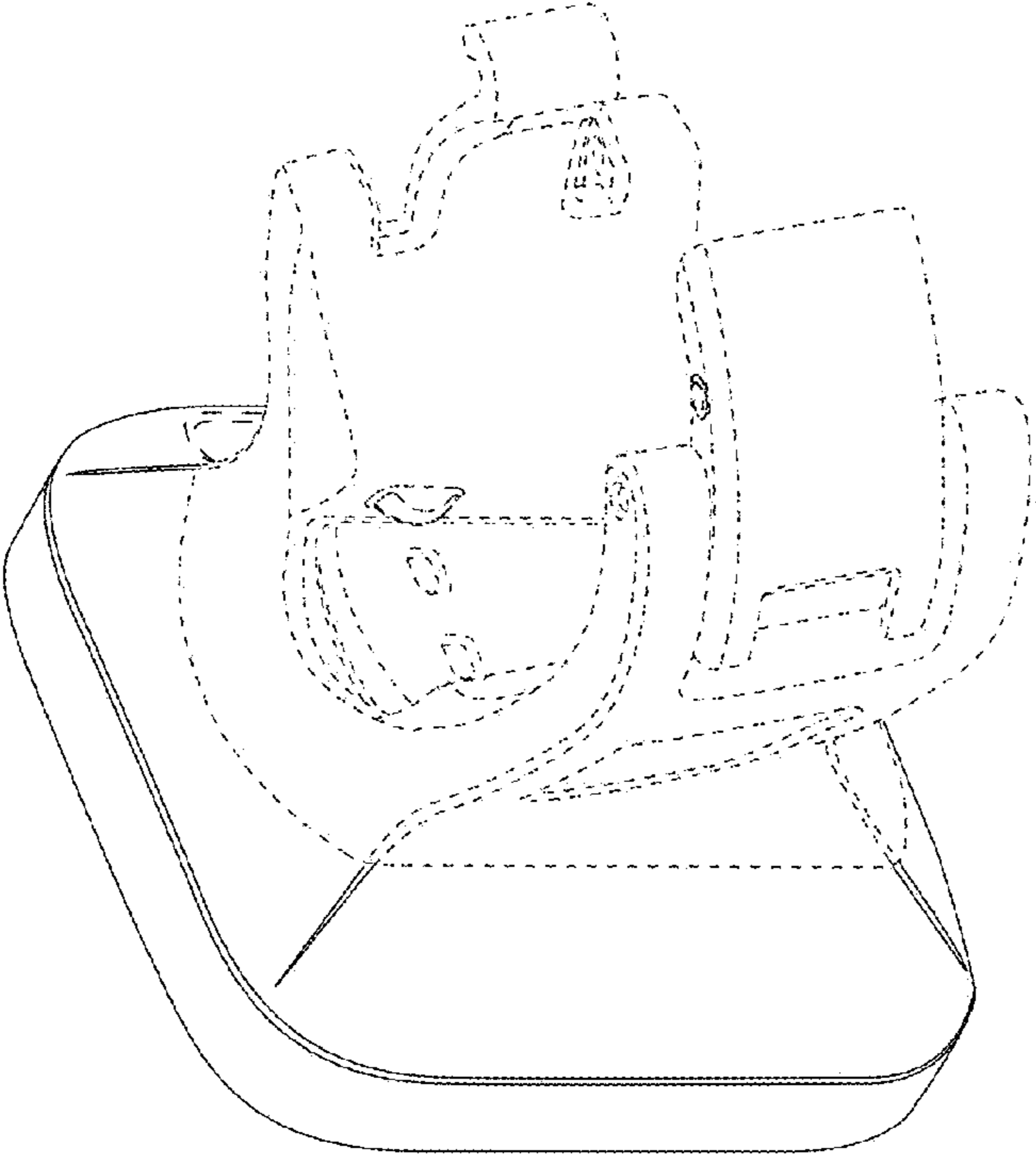


Figure 44

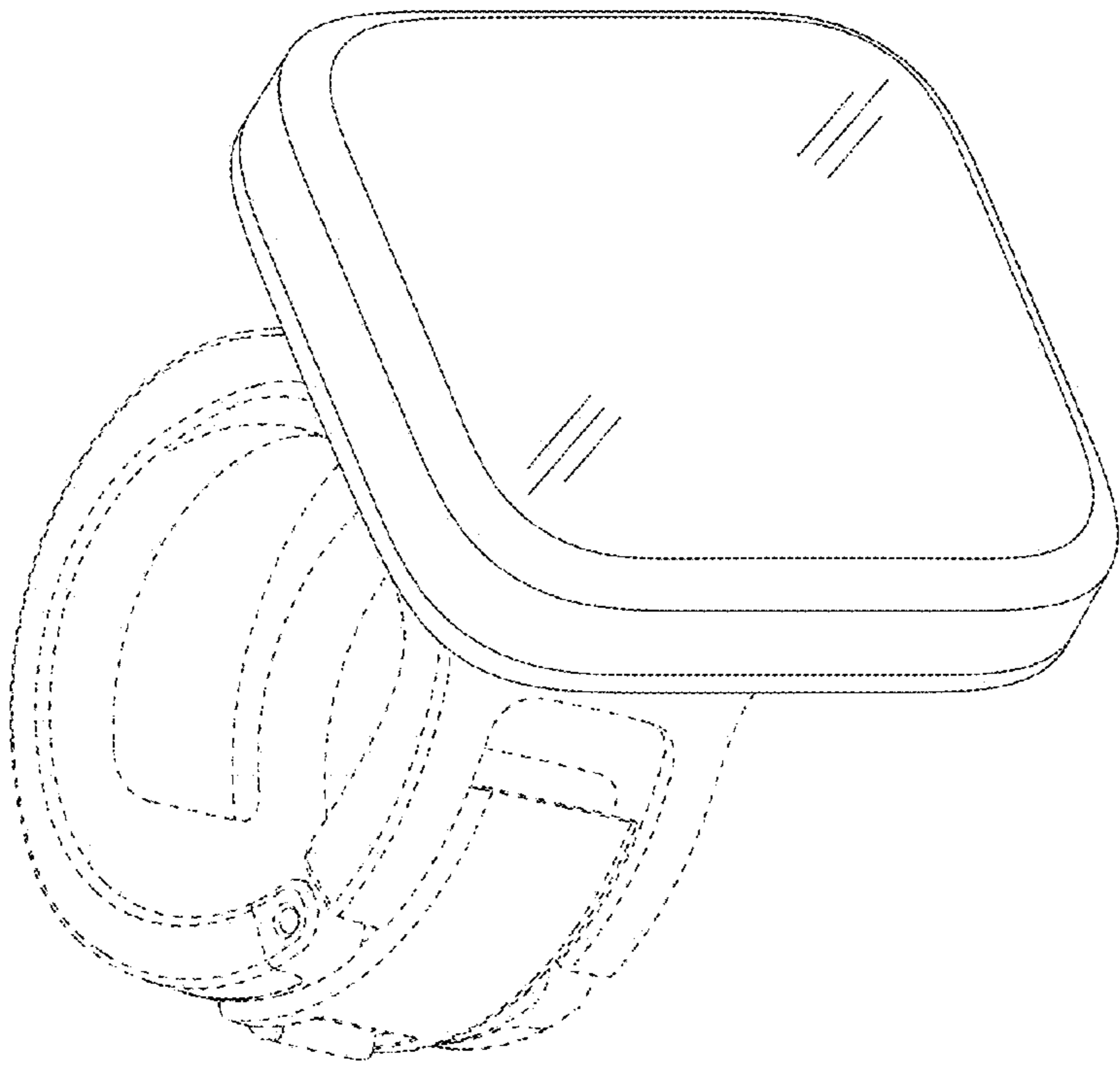


Figure 45

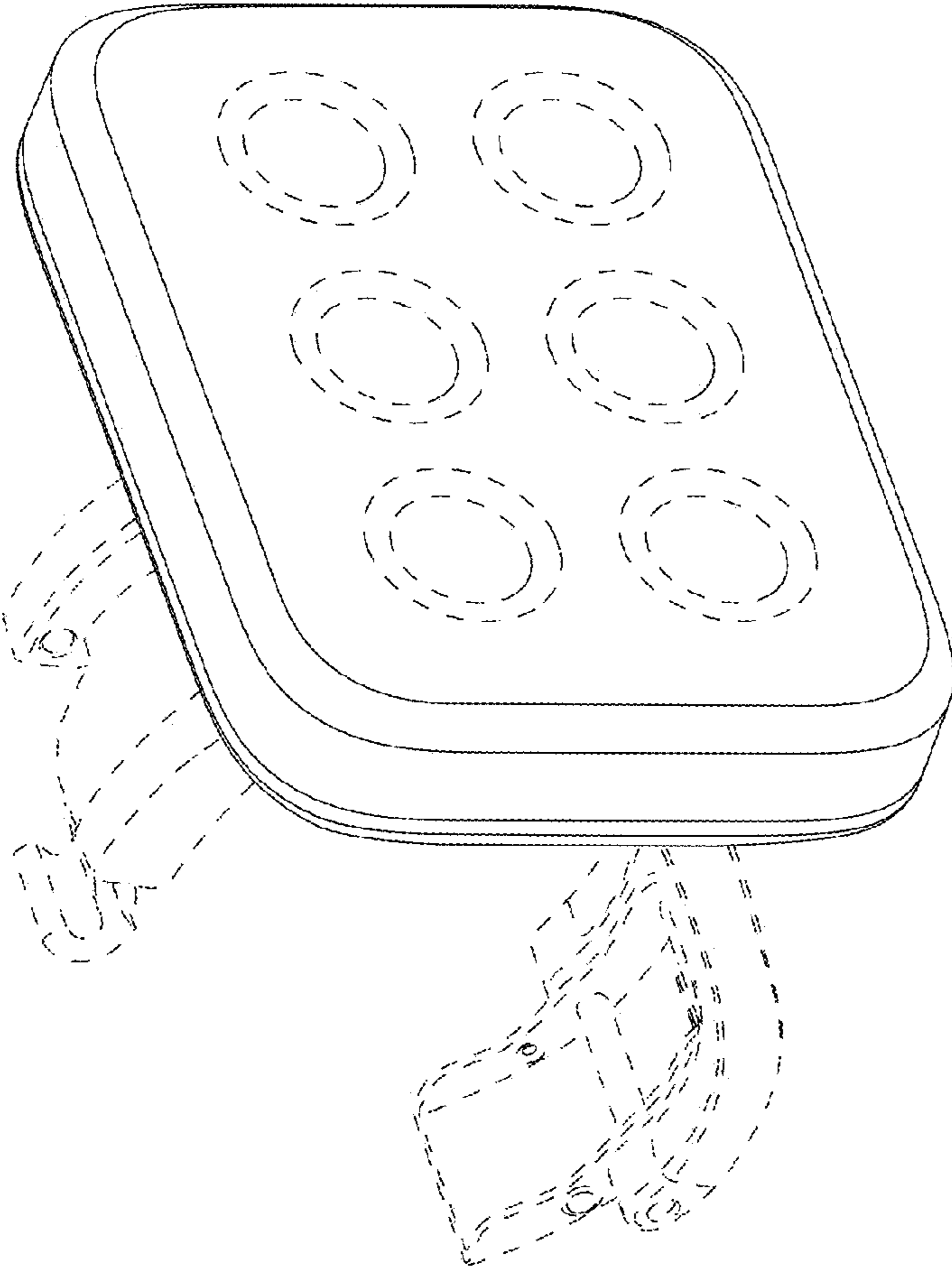


Figure 46



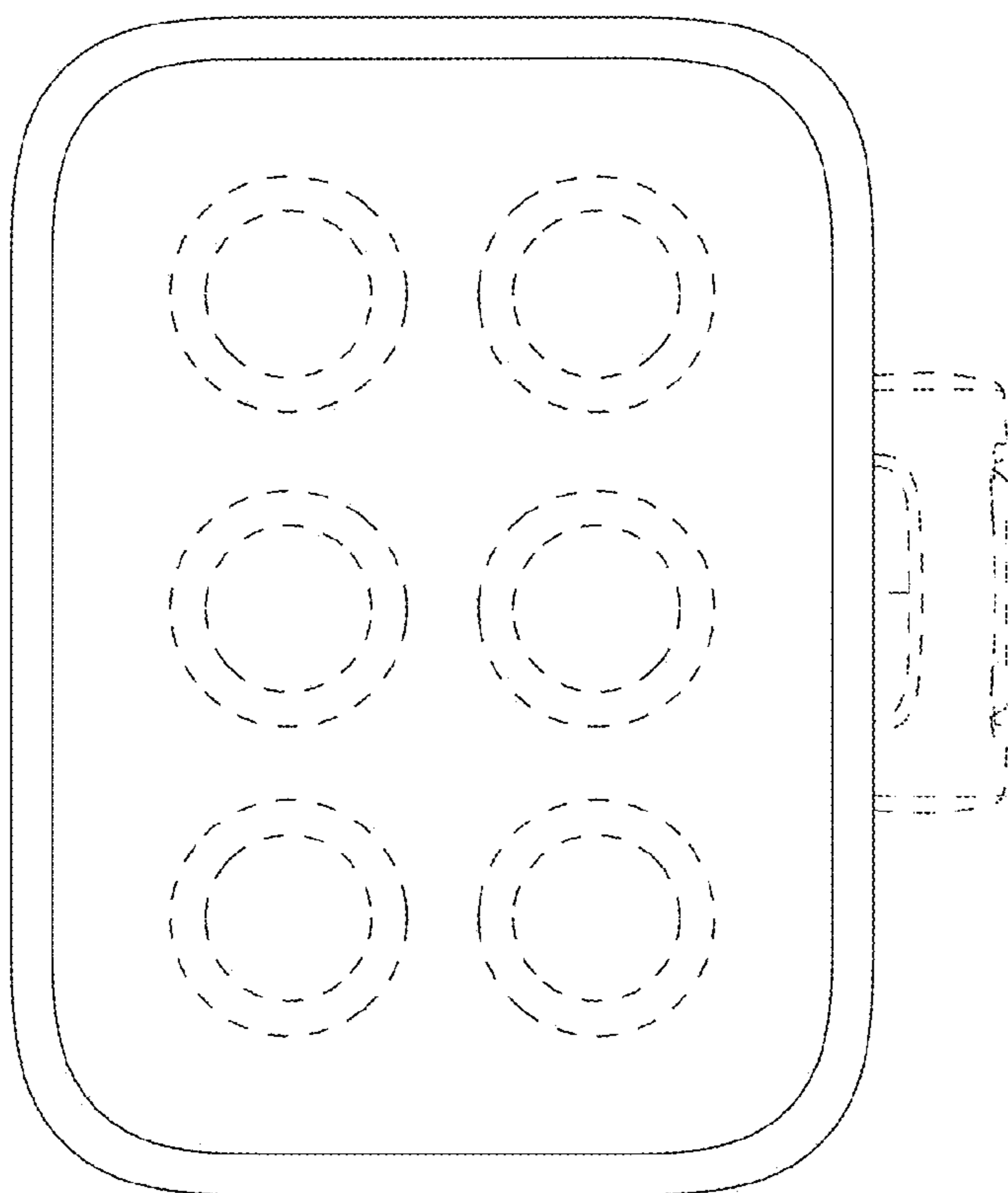


Figure 47

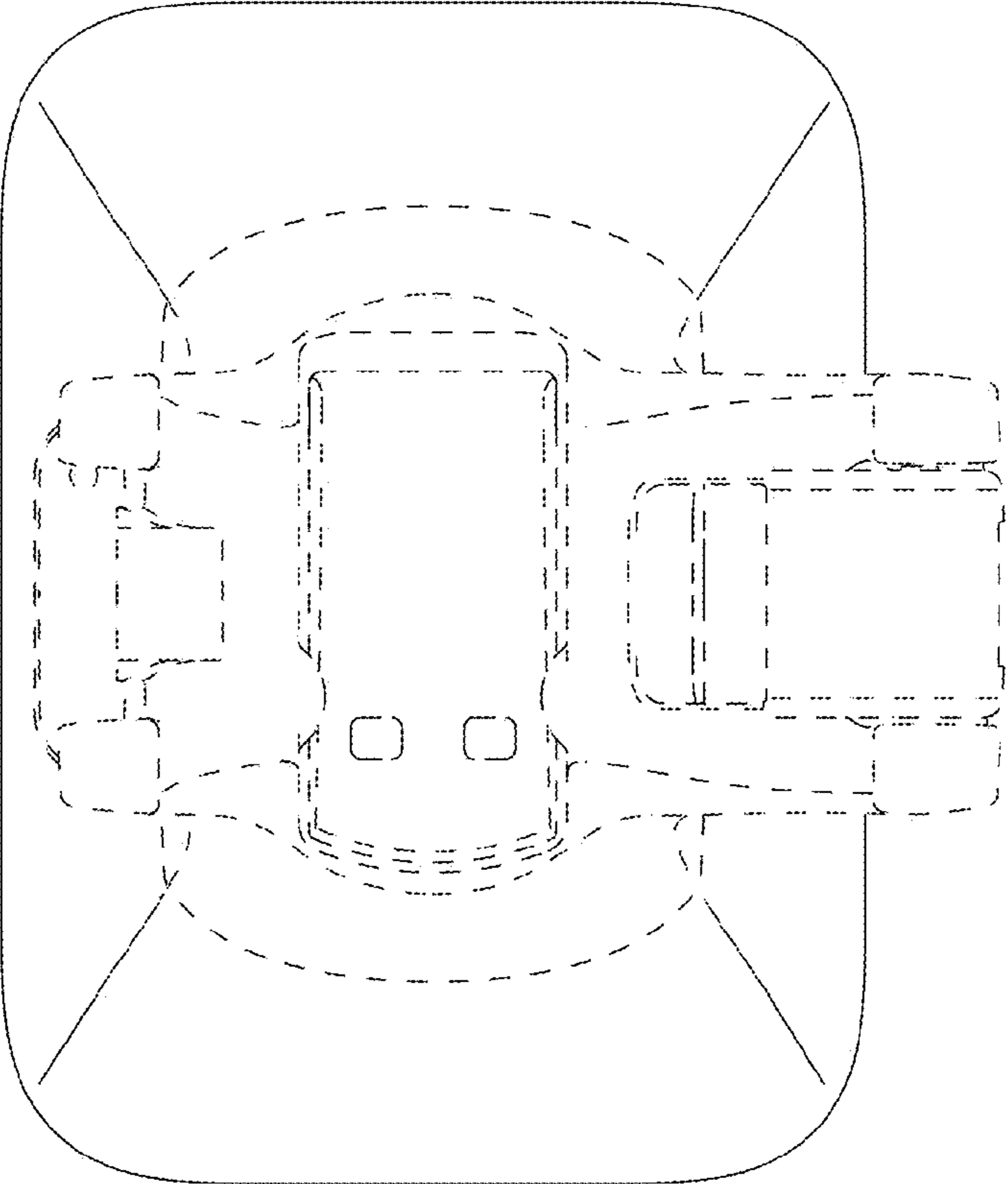


Figure 48

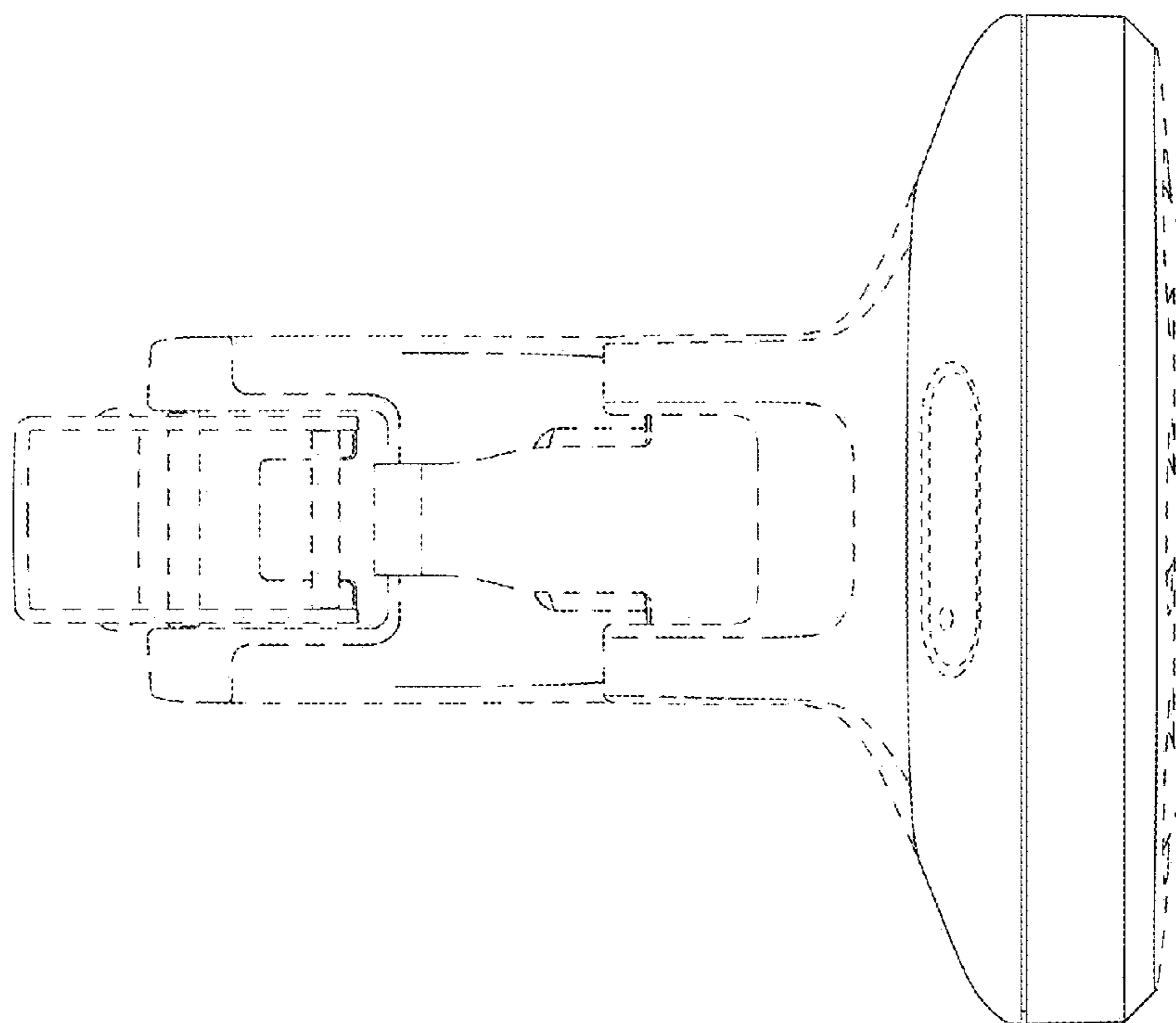


Figure 49

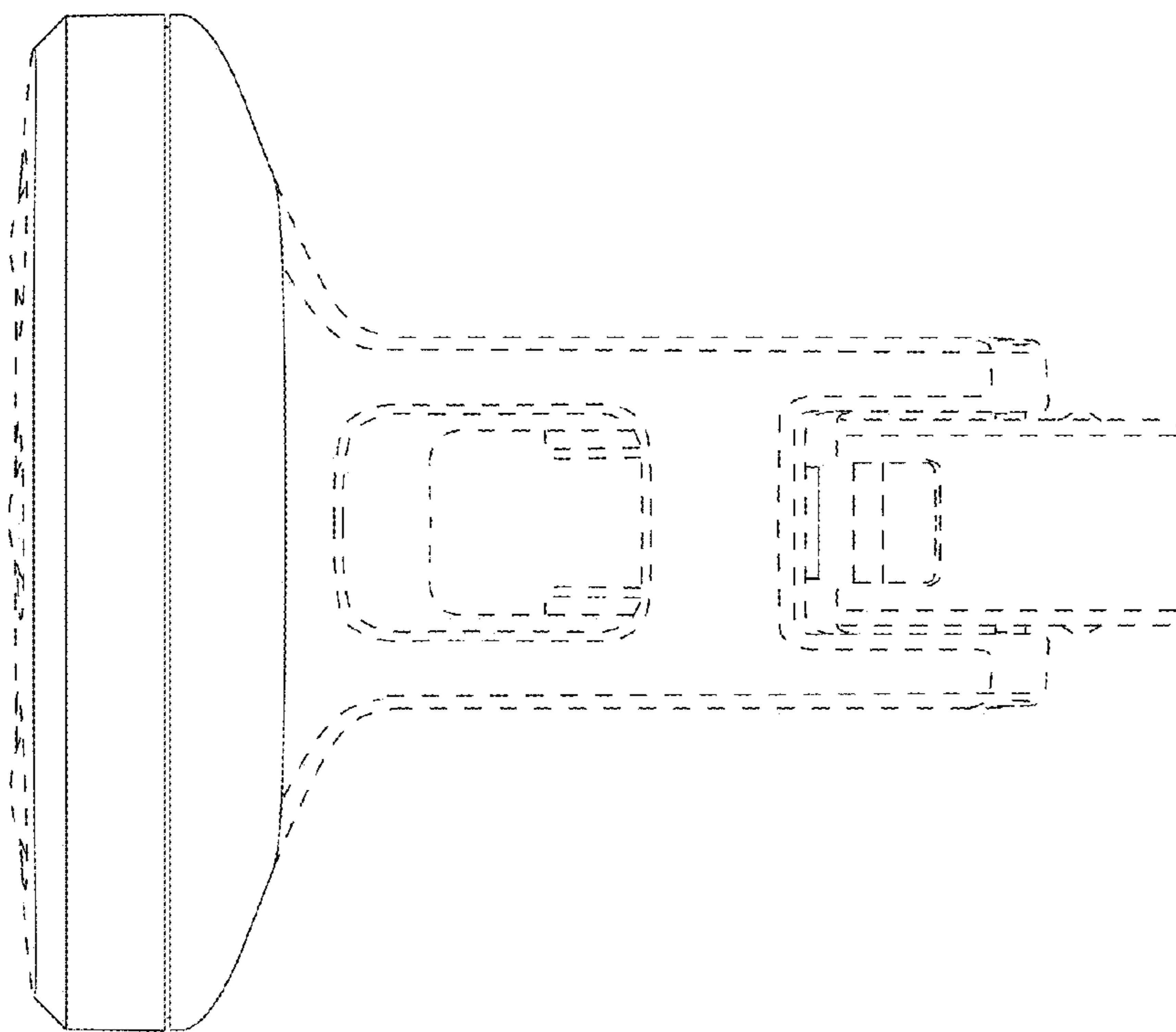


Figure 50

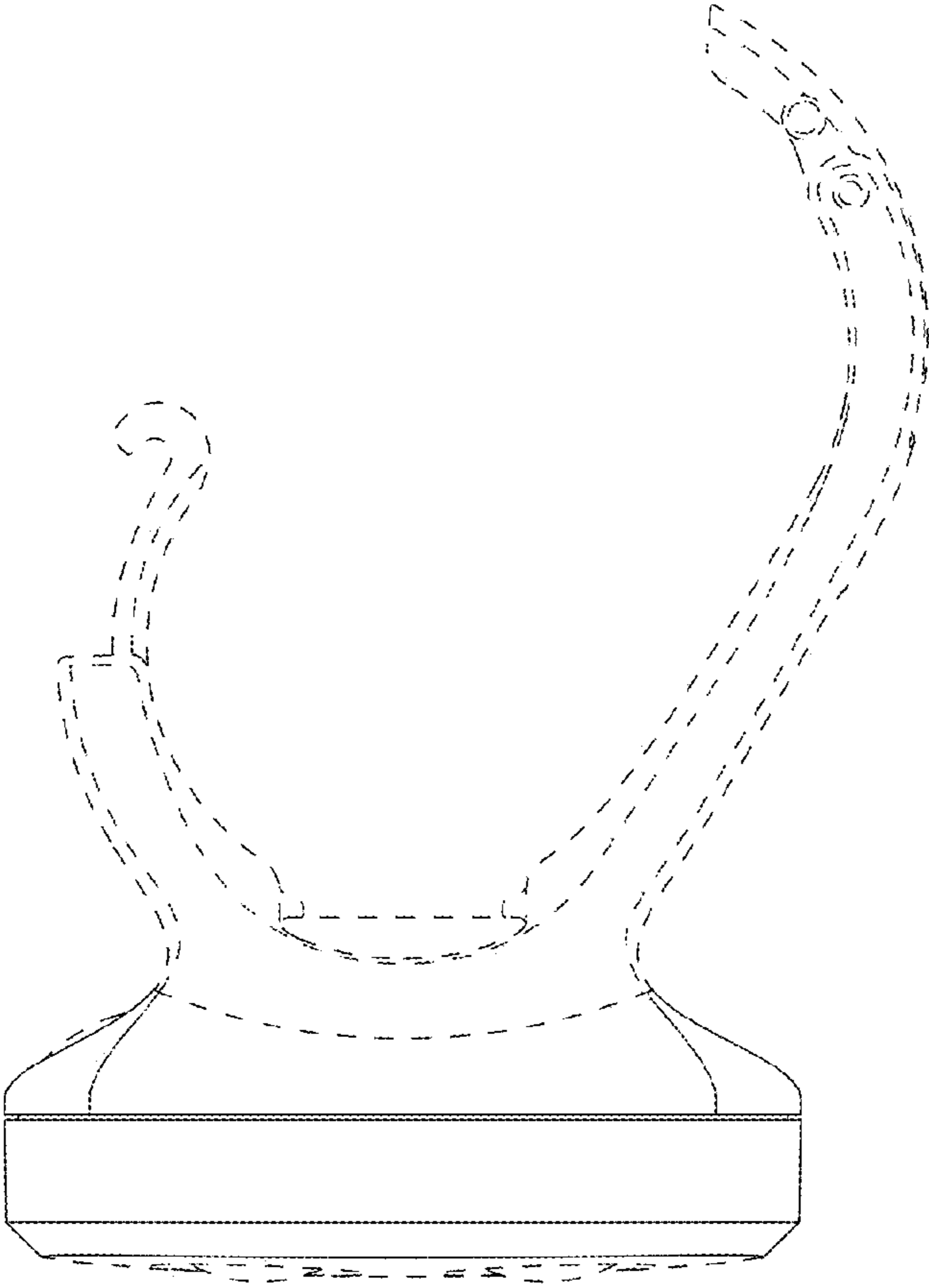


Figure 51

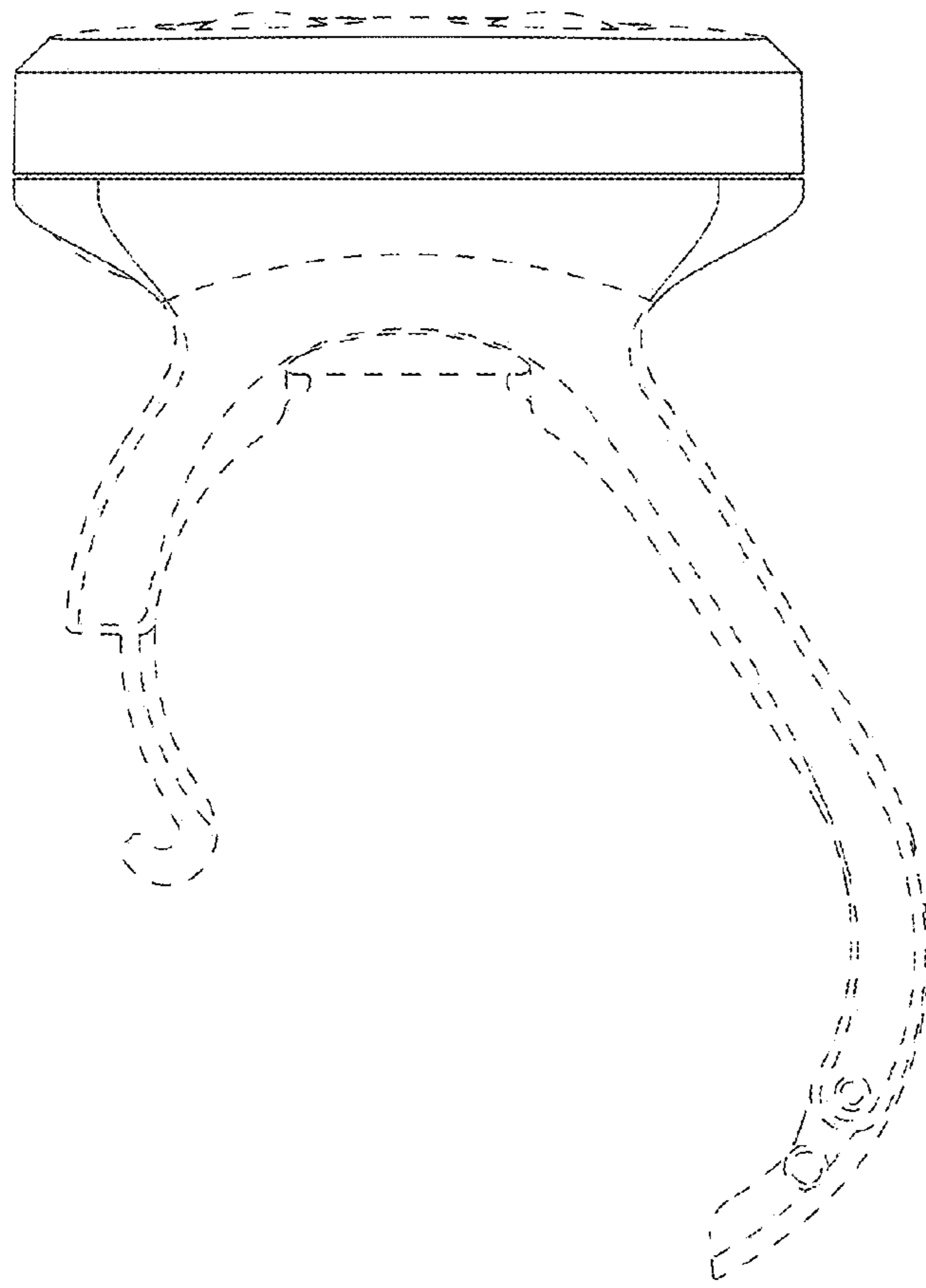


Figure 52

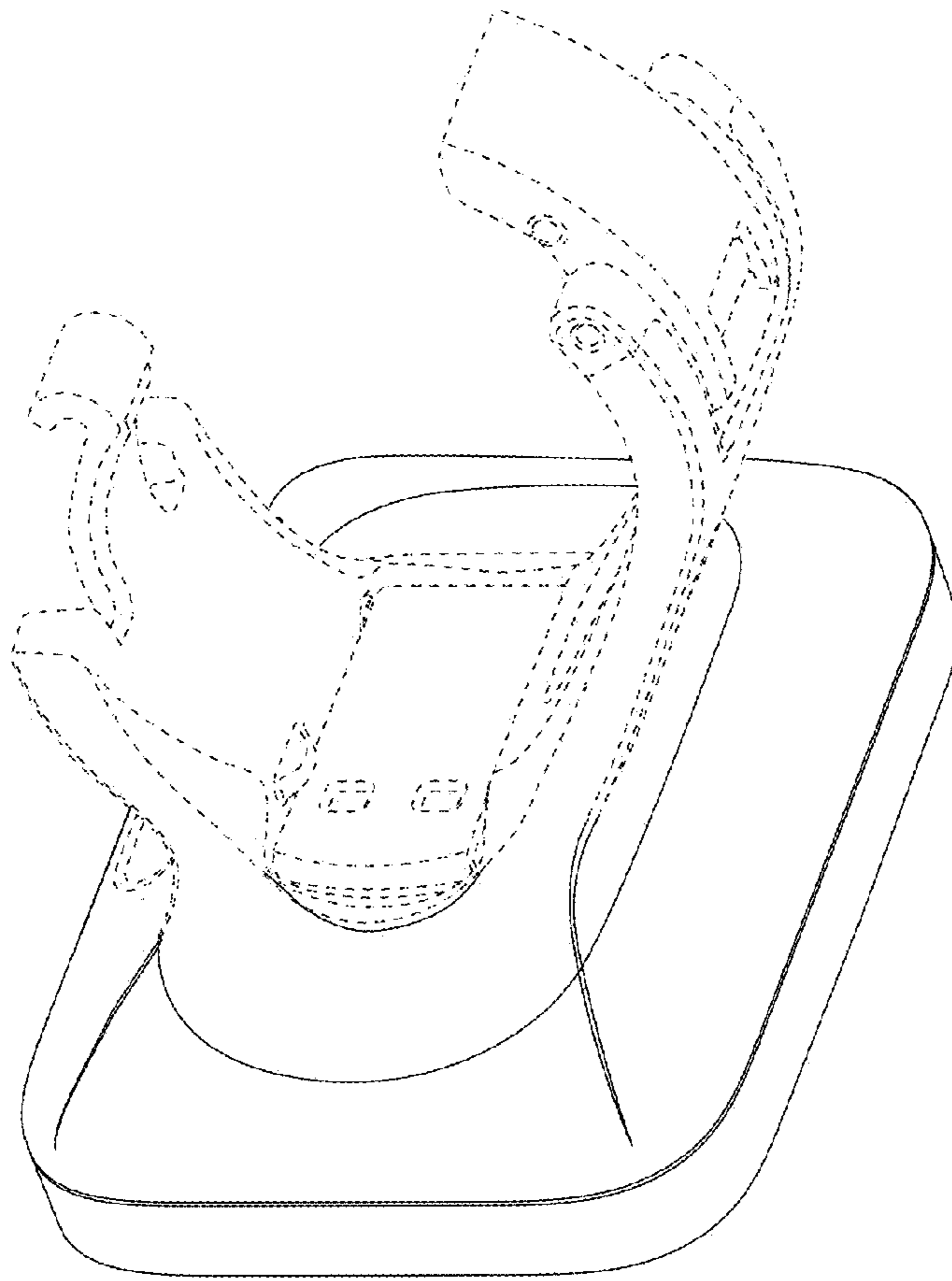


Figure 53

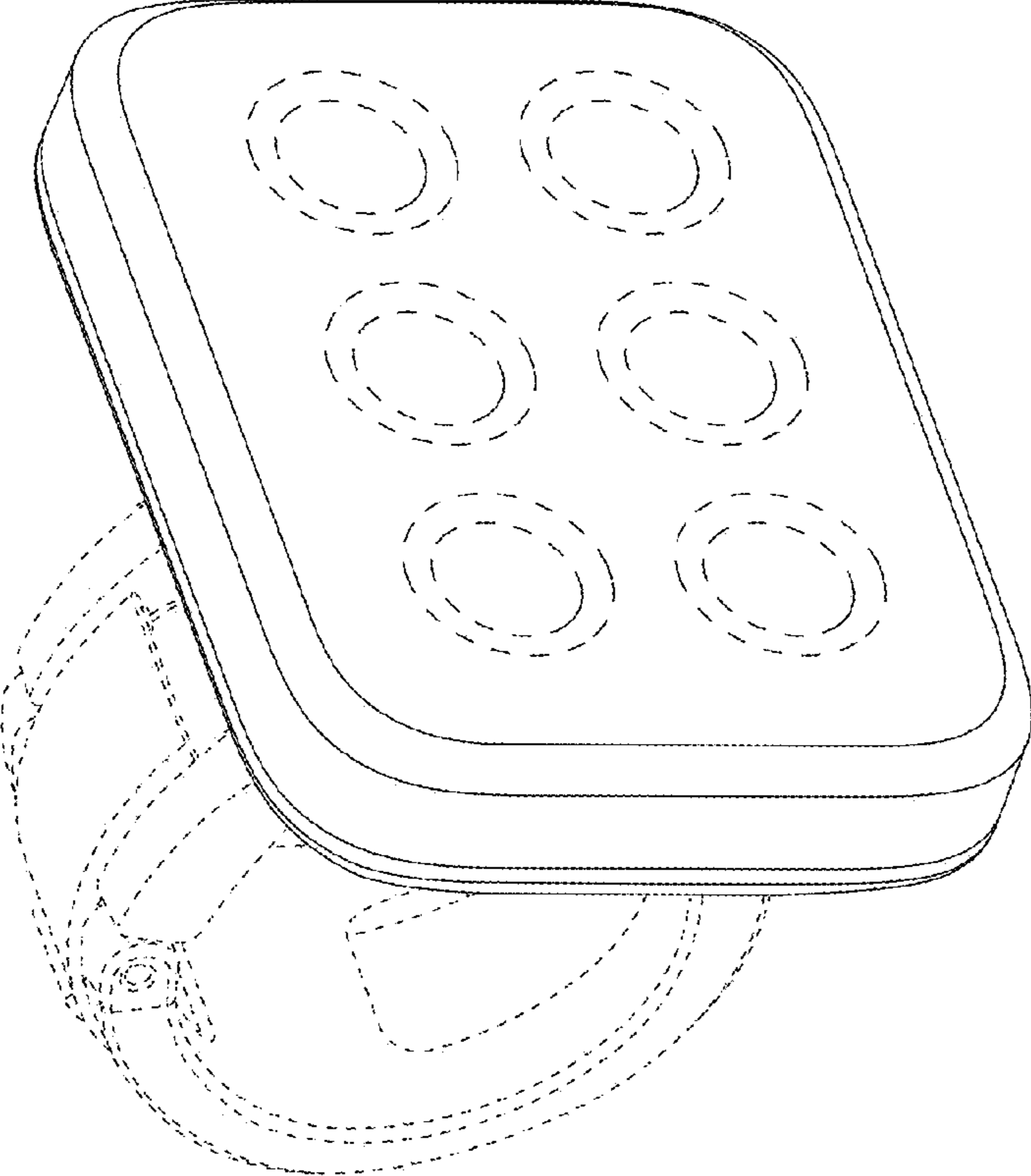


Figure 54



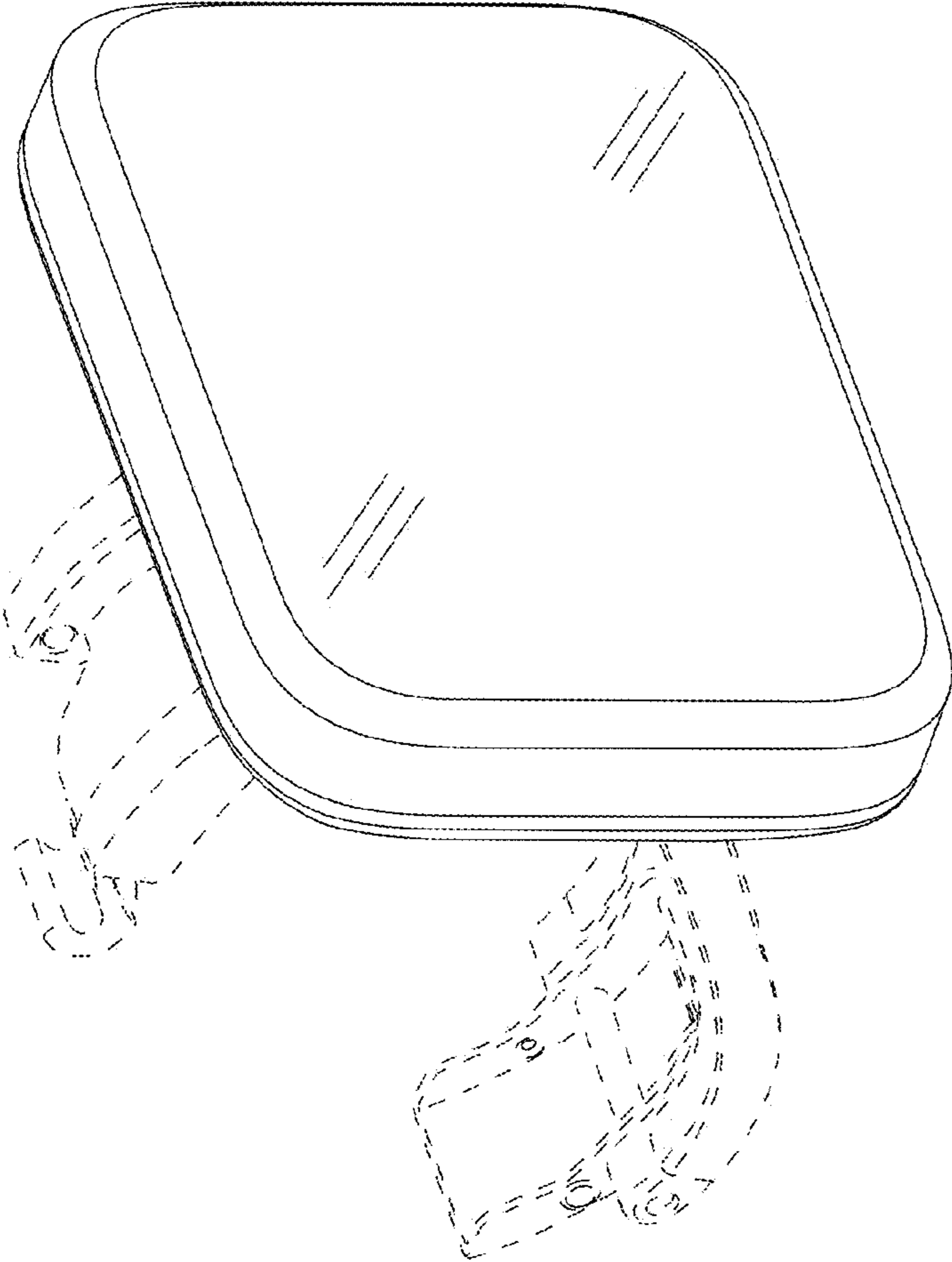


Figure 55

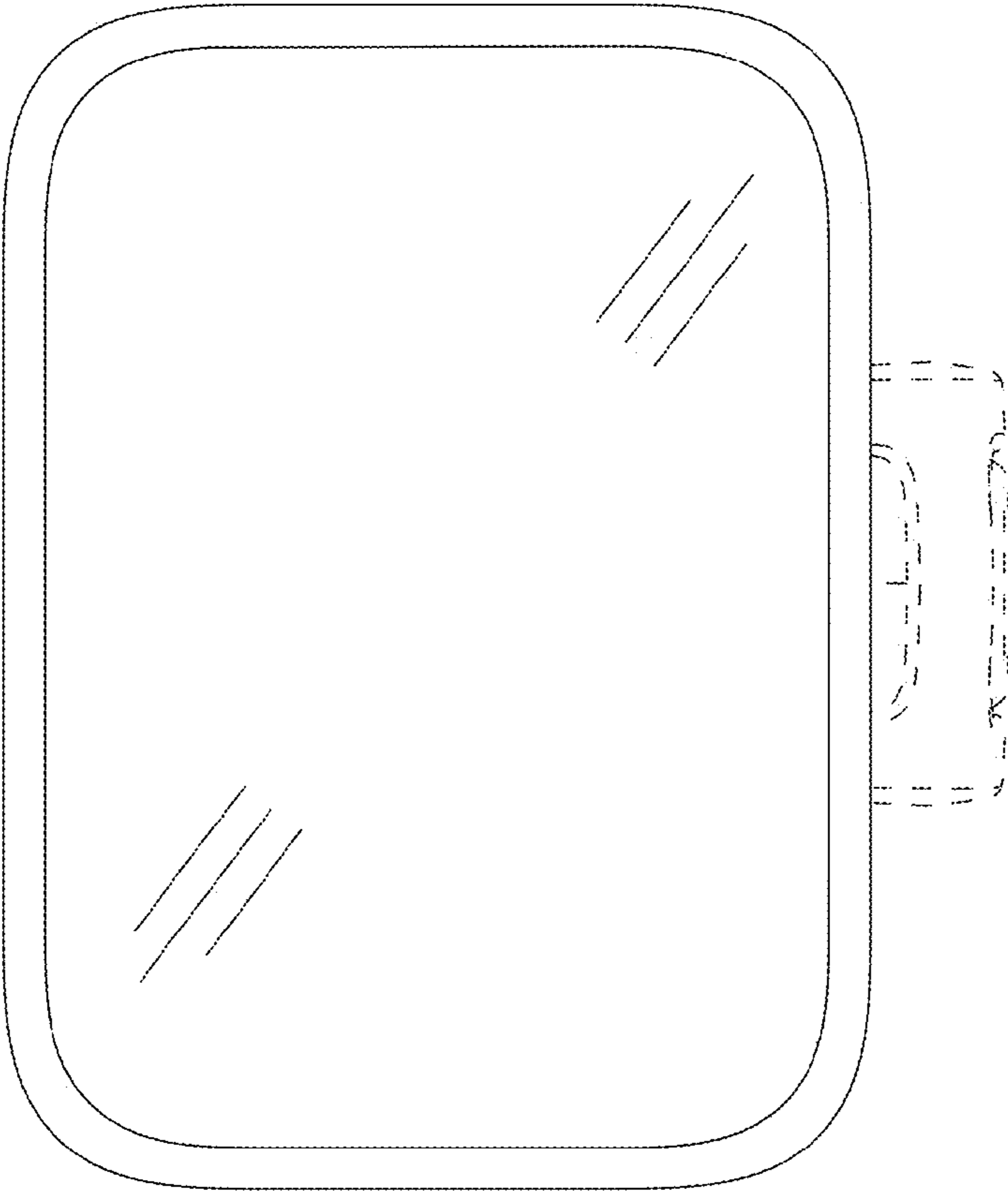


Figure 56

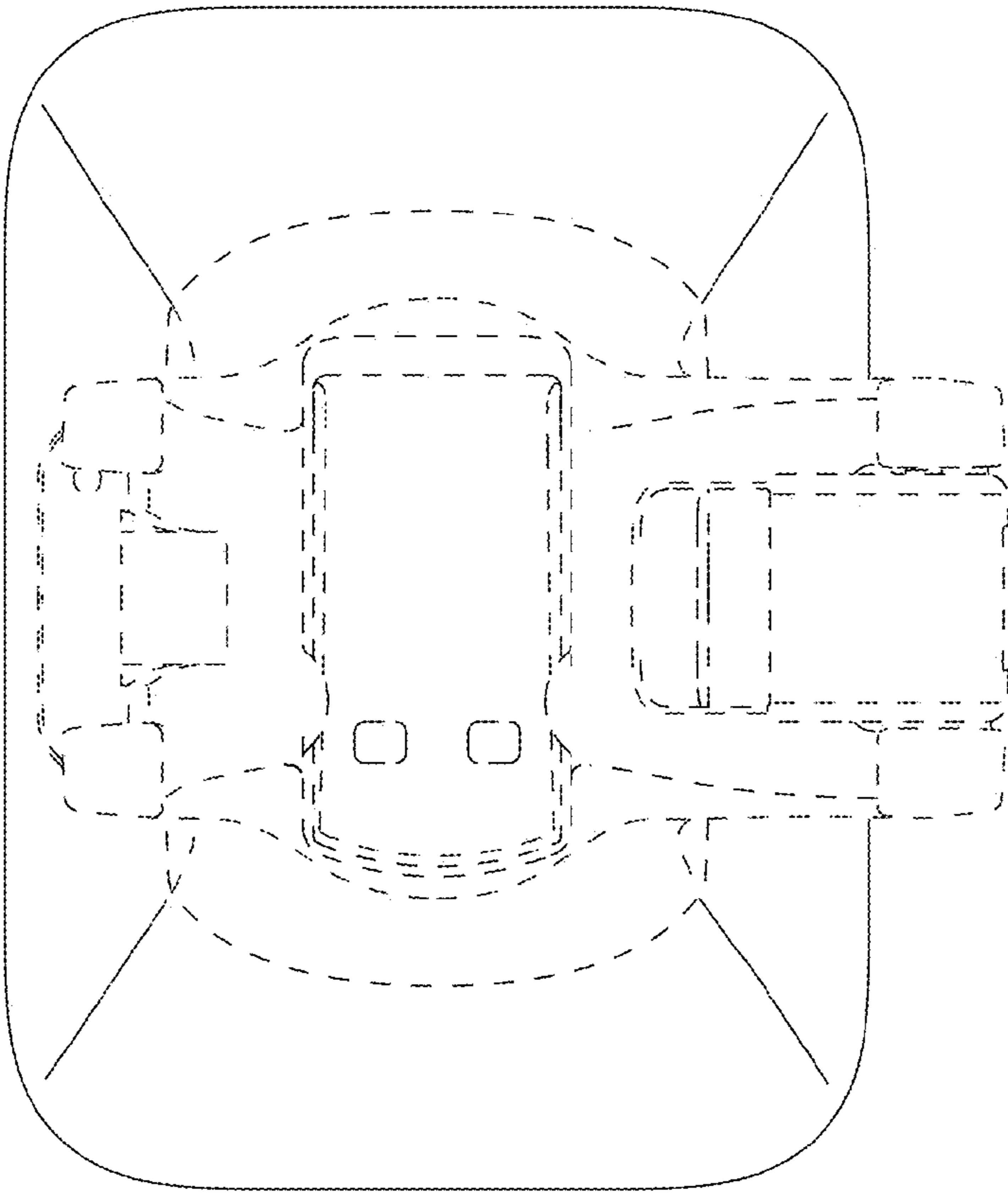


Figure 57

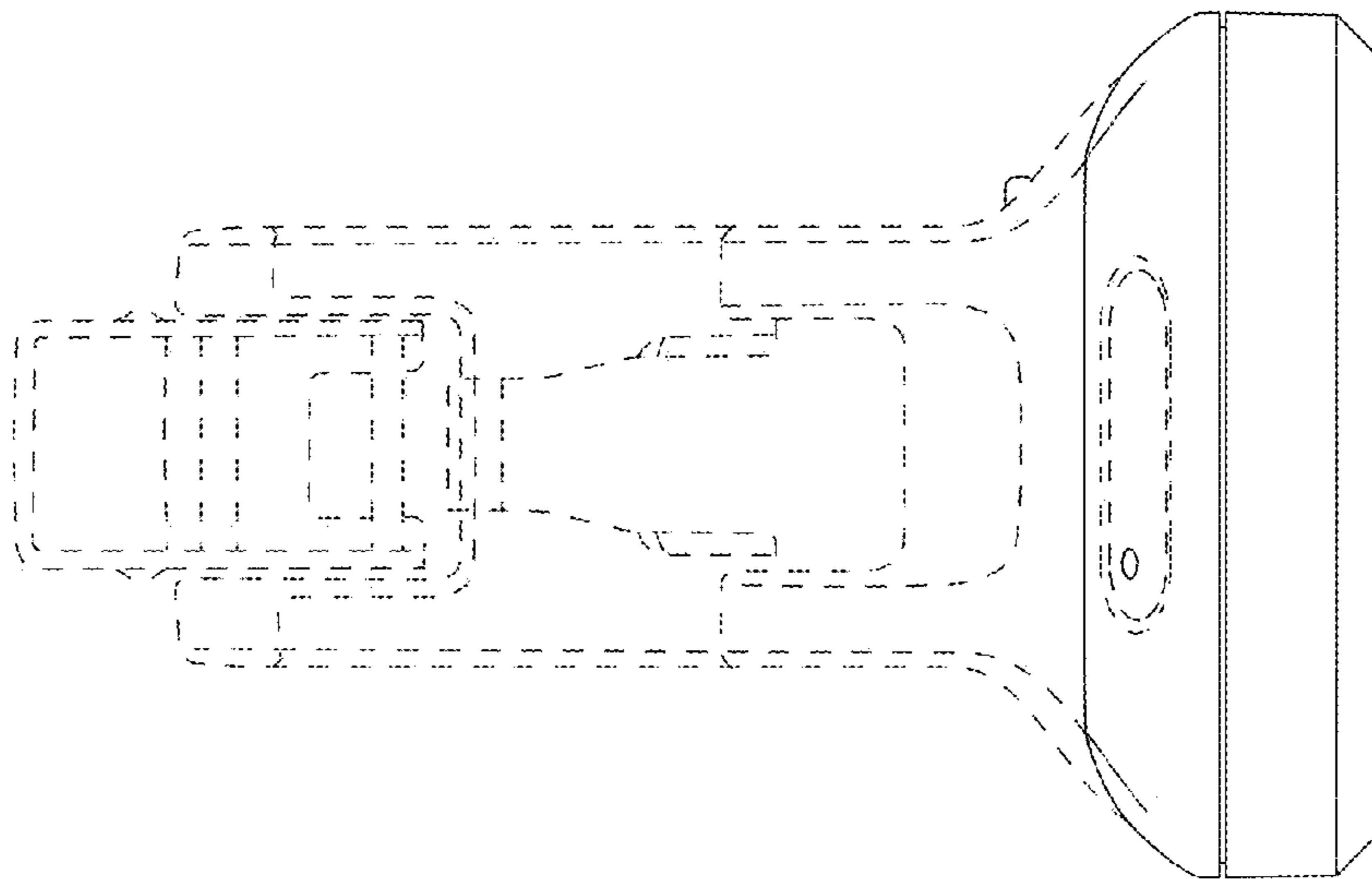


Figure 58

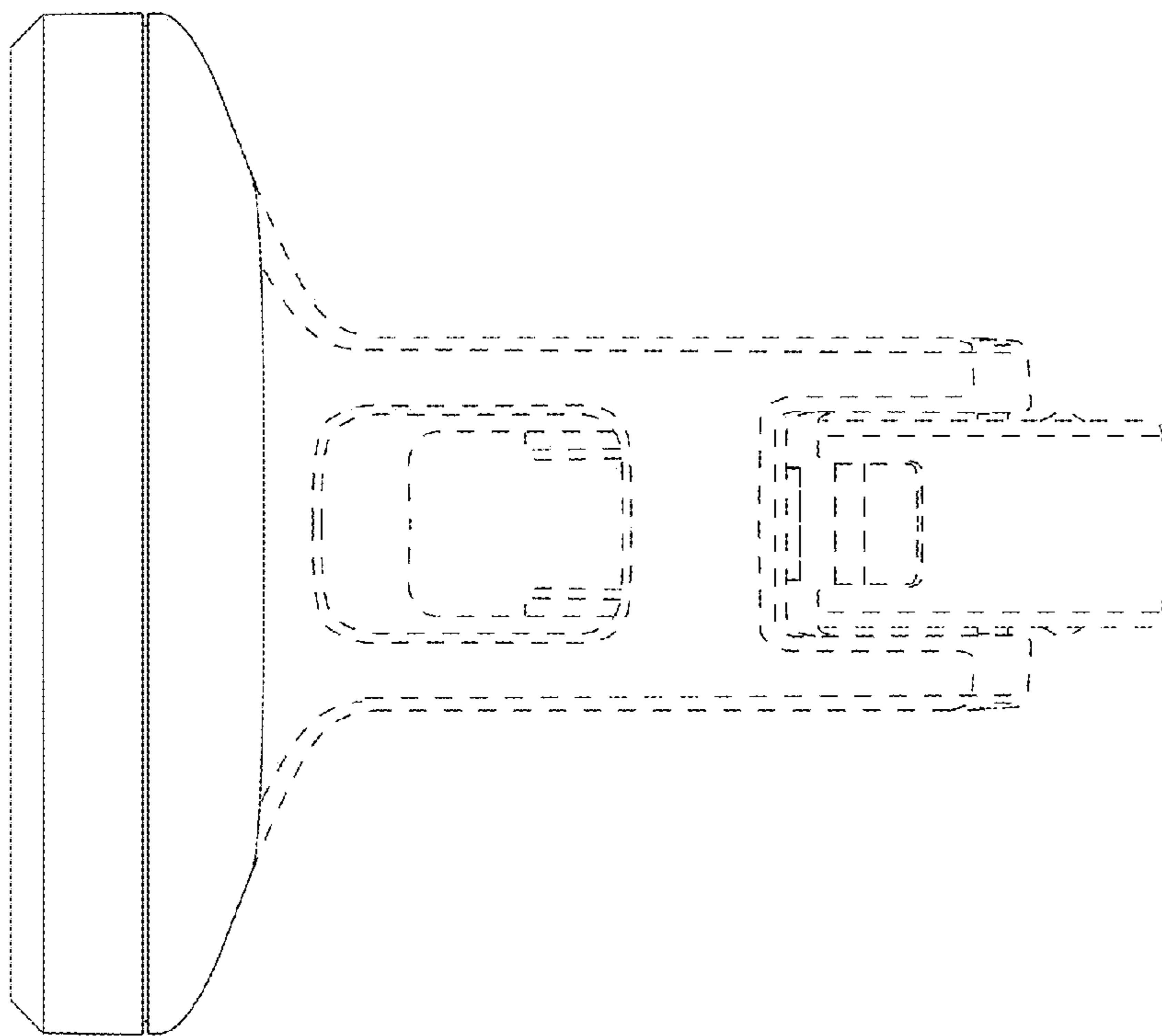


Figure 59

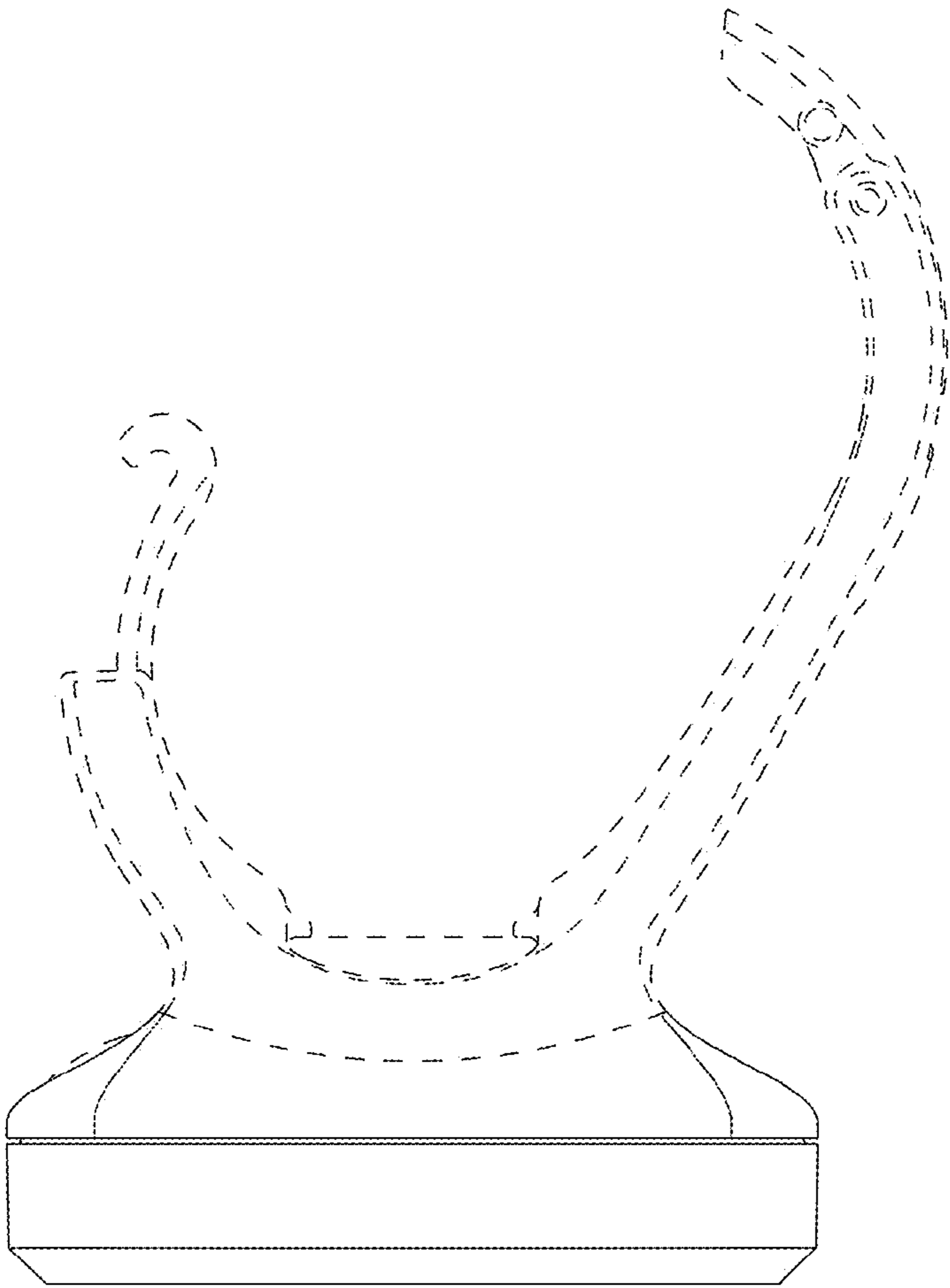


Figure 60

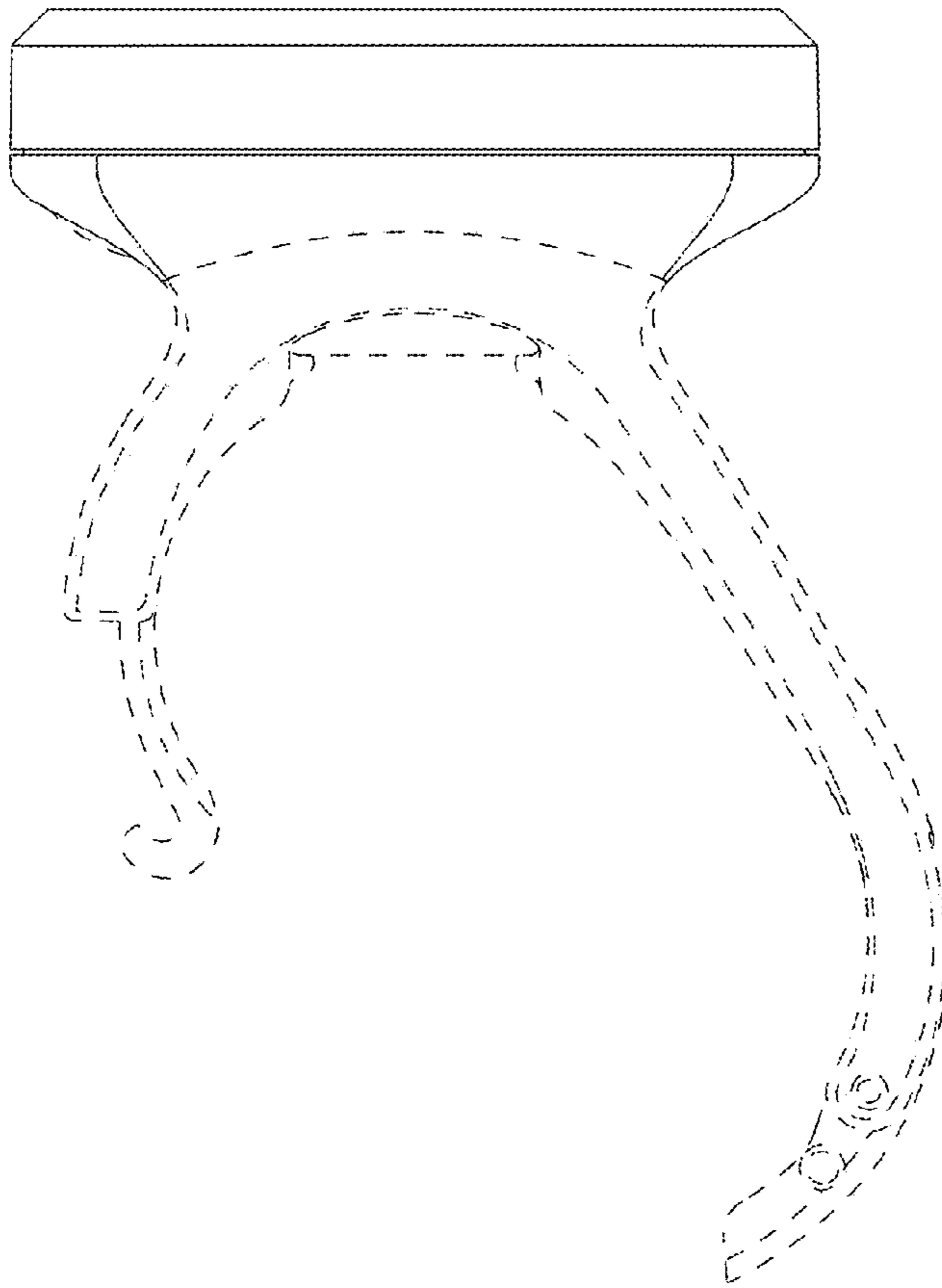


Figure 61

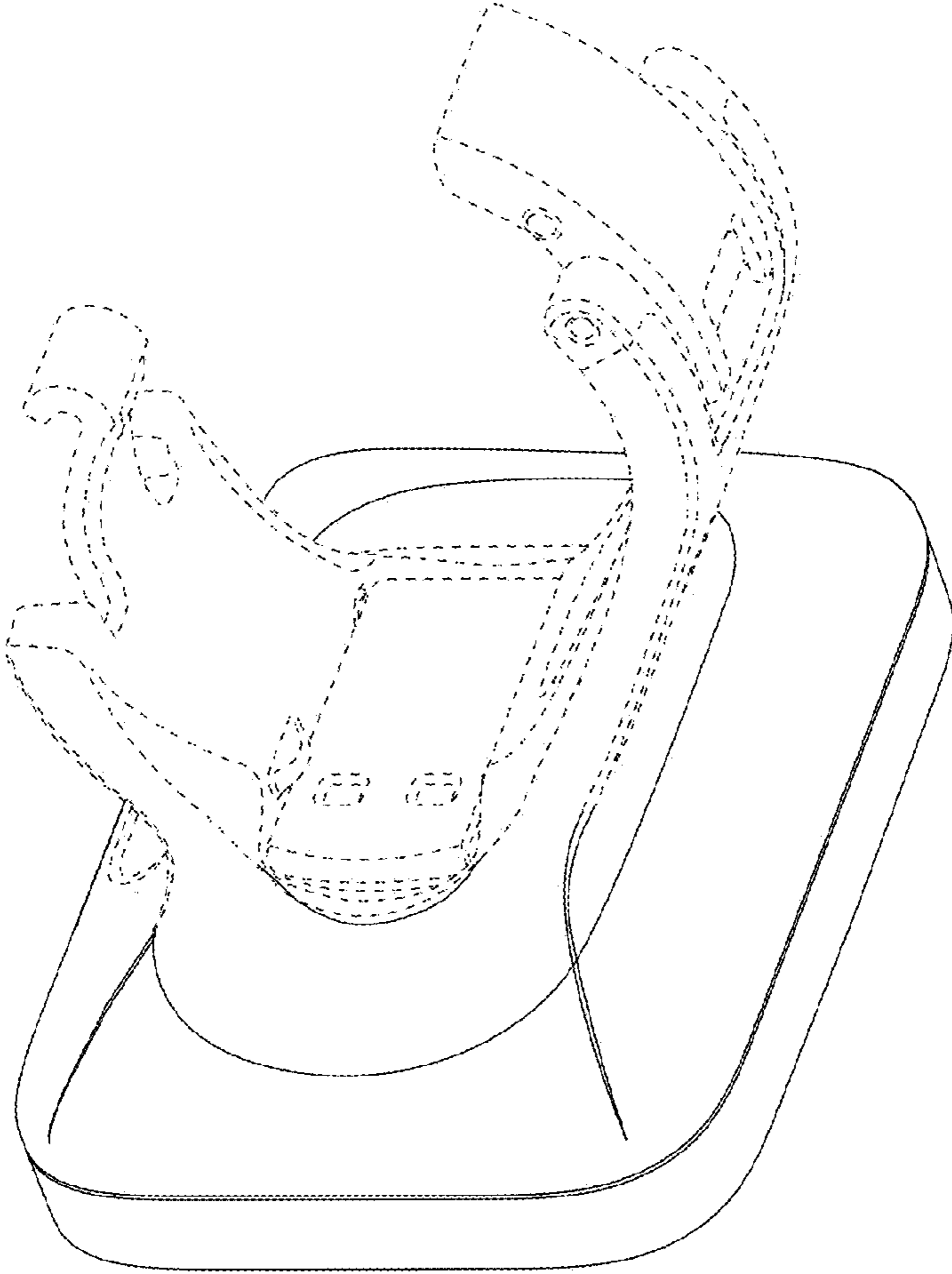


Figure 62



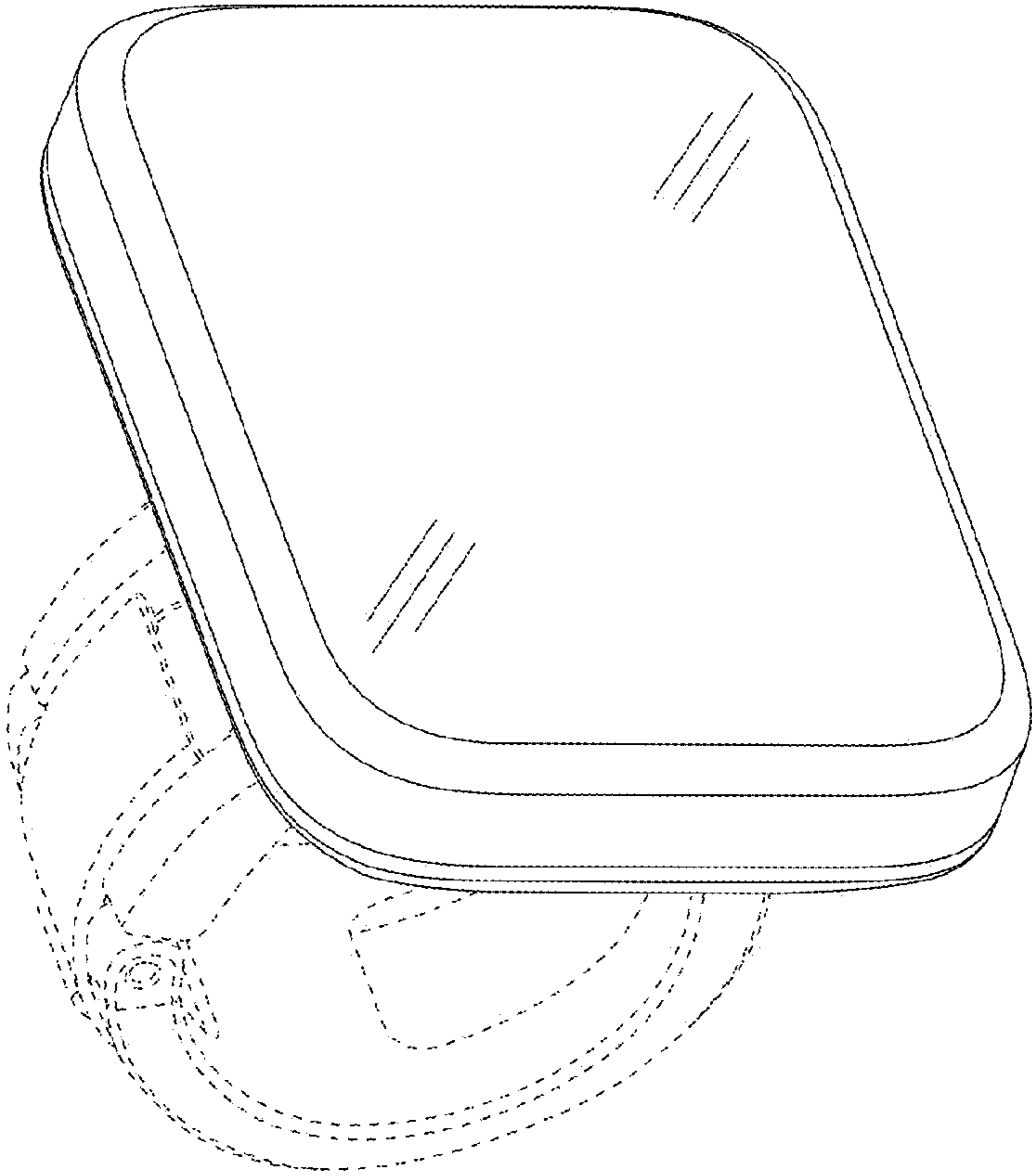


Figure 63