



US00D705979S

(12) **United States Design Patent**
Li et al.

(10) **Patent No.:** **US D705,979 S**

(45) **Date of Patent:** **** *May 27, 2014**

(54) **SOLID STATE LIGHTING SPOT**

362/267, 373, 249.01–249.12; D13/102,
D13/179, 180

(75) Inventors: **Wesley Xiaowei Li**, Shanghai (CN); **Li Cheng**, Shanghai (CN)

See application file for complete search history.

(73) Assignee: **Koninklijke Philips N.V.**, Eindhoven (NL)

(56) **References Cited**

U.S. PATENT DOCUMENTS

(*) Notice: This patent is subject to a terminal disclaimer.

D318,553 S *	7/1991	Brown	D26/24
D336,963 S *	6/1993	Levin et al.	D26/2
D535,408 S *	1/2007	Tseng	D26/24
D674,960 S *	1/2013	Chen et al.	D26/113

(**) Term: **14 Years**

* cited by examiner

(21) Appl. No.: **29/418,576**

Primary Examiner — Brian N Vinson

(22) Filed: **Apr. 18, 2012**

(30) **Foreign Application Priority Data**

(57) **CLAIM**

Oct. 19, 2011 (EM) 001934936-0002

The ornamental design for a solid state lighting spot, as shown.

(51) **LOC (10) Cl.** **26-99**

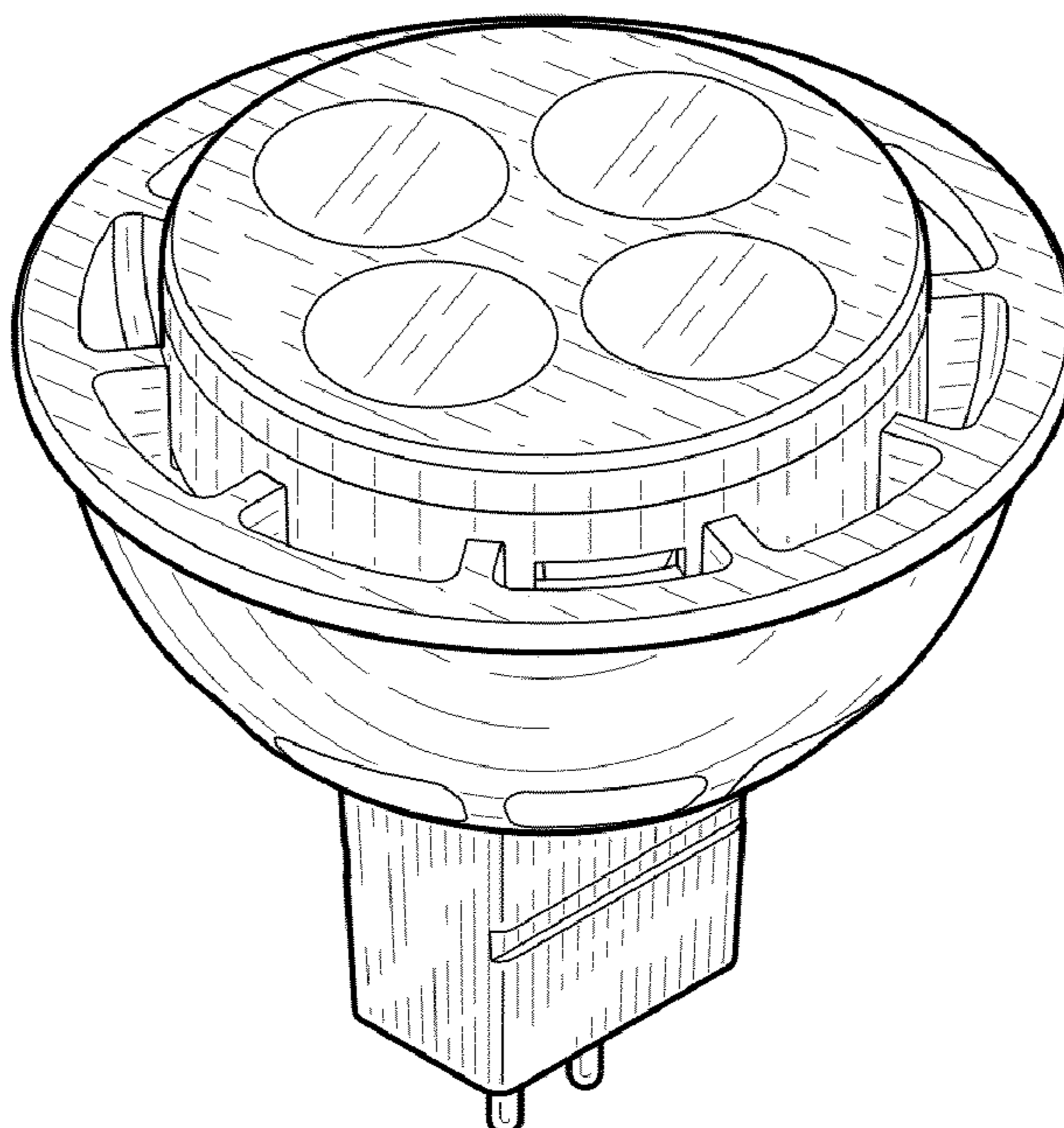
(52) **U.S. Cl.**
USPC **D26/113**

DESCRIPTION

(58) **Field of Classification Search**
USPC D26/1, 2, 118, 113, 138, 119, 120, 121,
D26/122, 76, 77, 75, 78, 85, 86, 89, 90, 62,
D26/64, 65, 66, 63, 73, 72, 74, 68, 71, 28,
D26/123, 124, 127, 128, 129, 134, 135, 132,
D26/139, 154, 155, 152, 149, 148, 145, 143,
D26/142, 140, 141, 153, 144, 91, 92, 29, 24,
D26/25, 26, 8, 114, 37, 87; 362/202, 347,
362/349, 362, 419, 96, 192, 145, 294, 326,

FIG. 1 is a perspective view showing my design;
FIG. 2 is a front elevational view thereof;
FIG. 3 is a rear elevational view thereof;
FIG. 4 is a right side elevational view thereof;
FIG. 5 is a left side elevational view thereof;
FIG. 6 is a top plan view thereof; and,
FIG. 7 is a bottom plan view thereof.

1 Claim, 4 Drawing Sheets



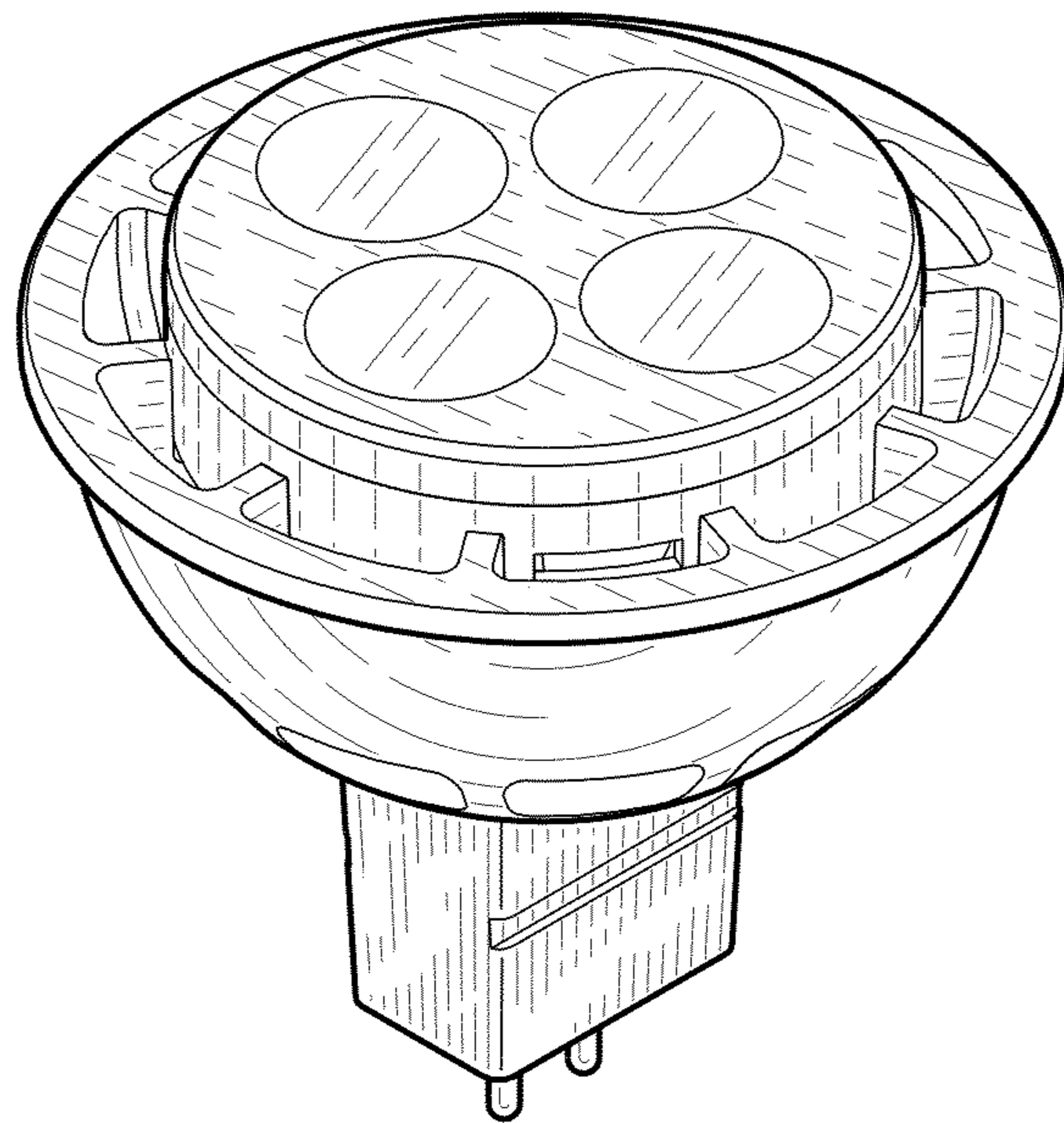


FIG. 1

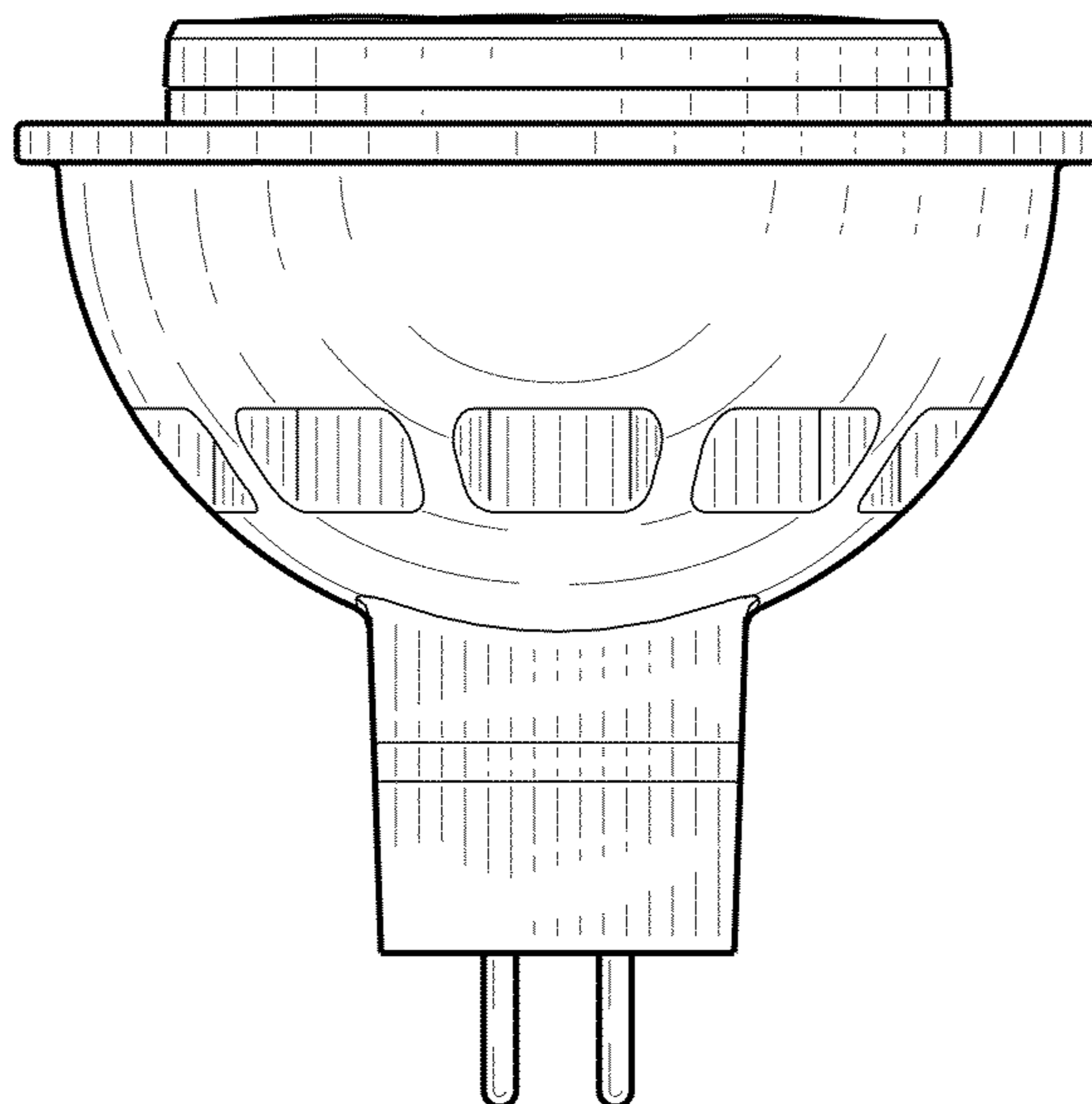


FIG. 2

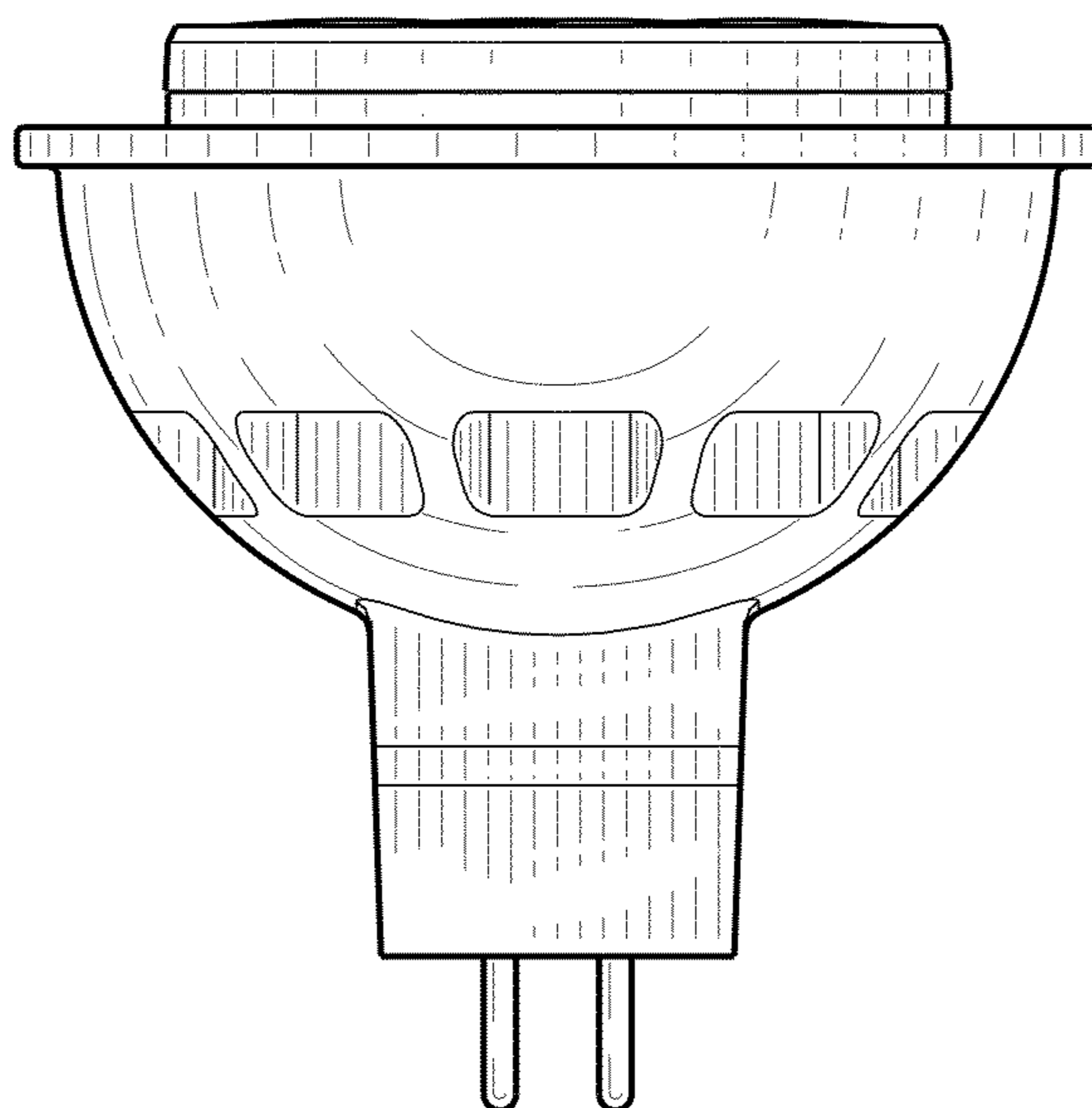


FIG. 3

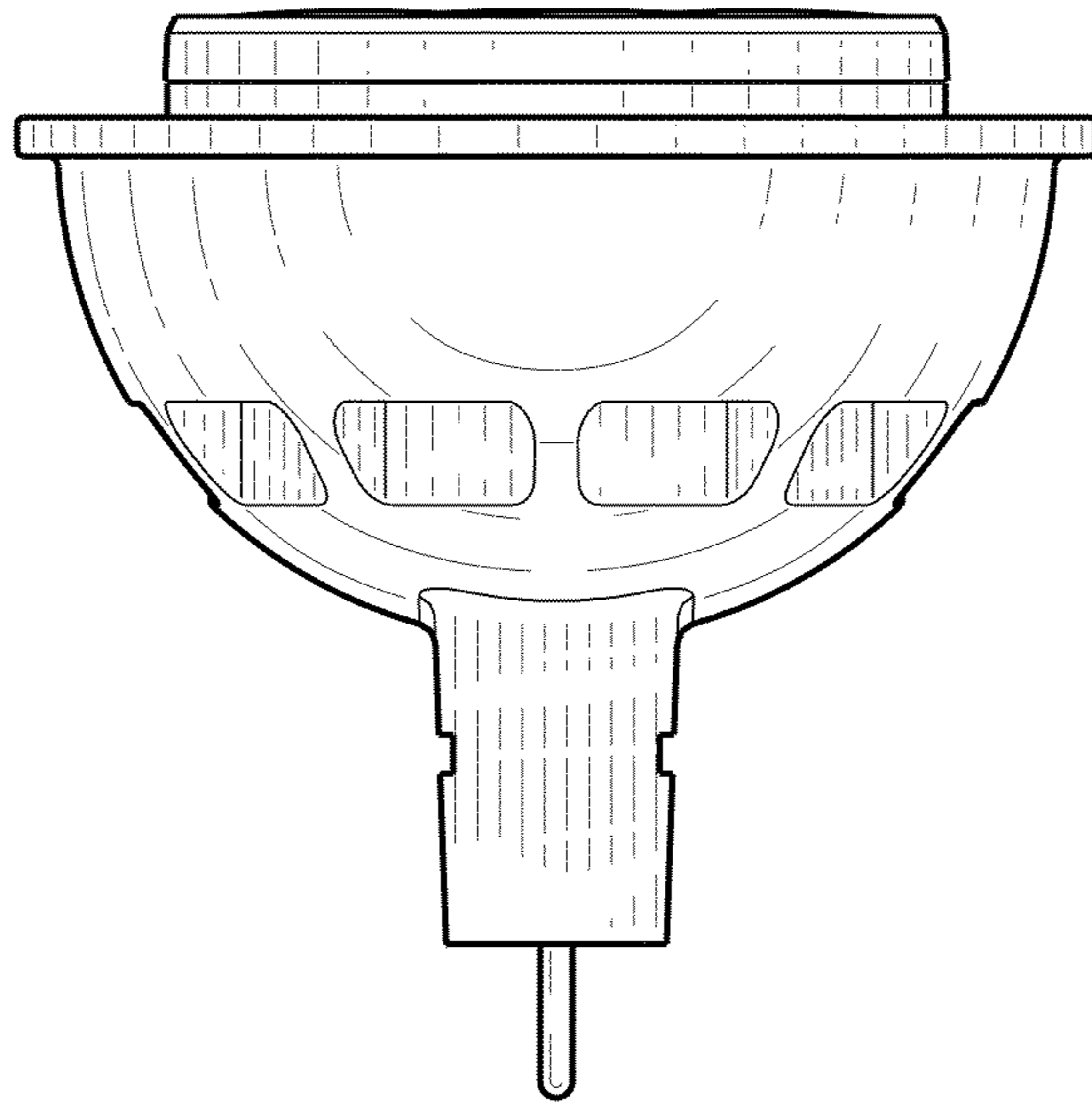


FIG. 4

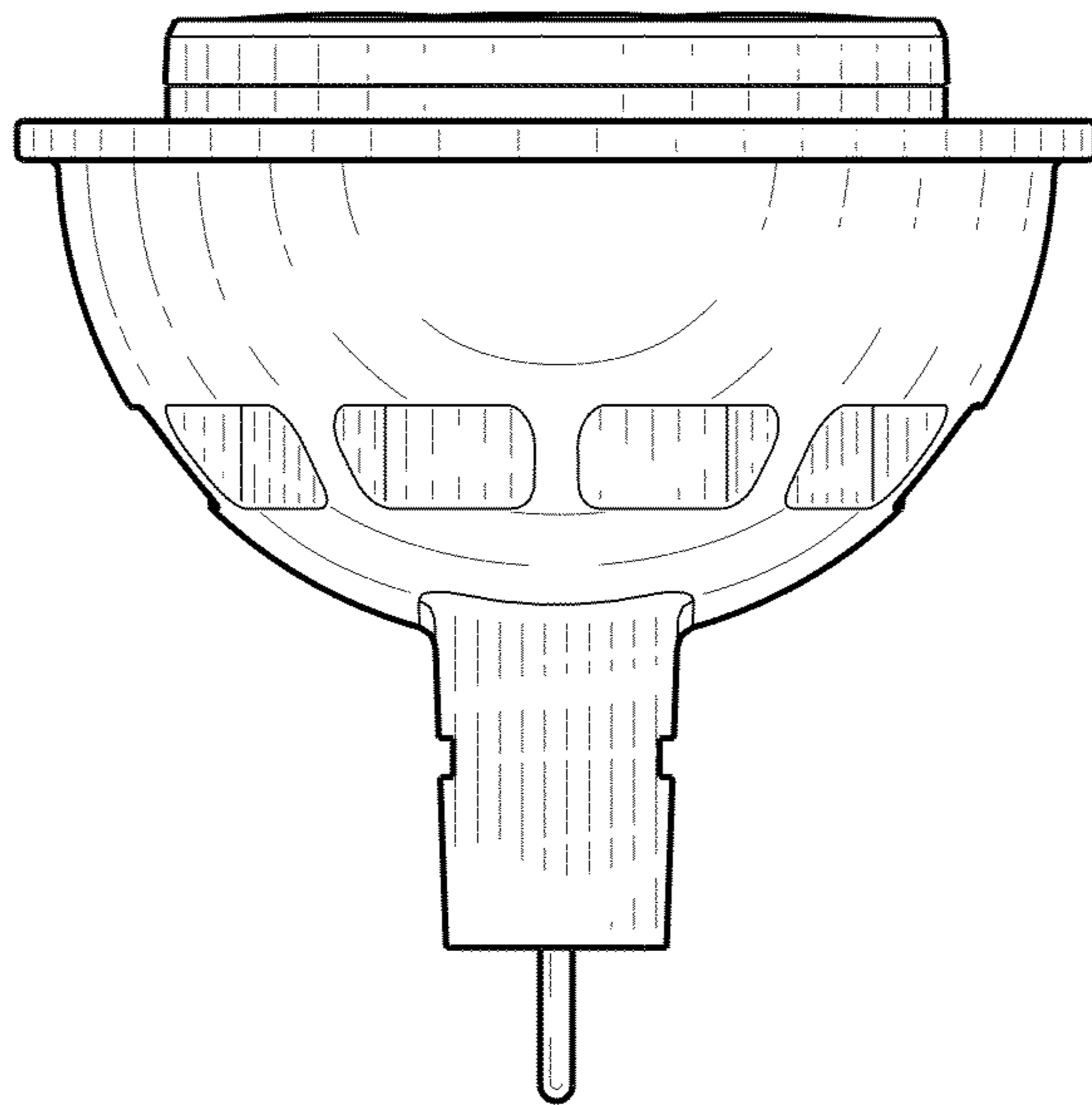


FIG. 5

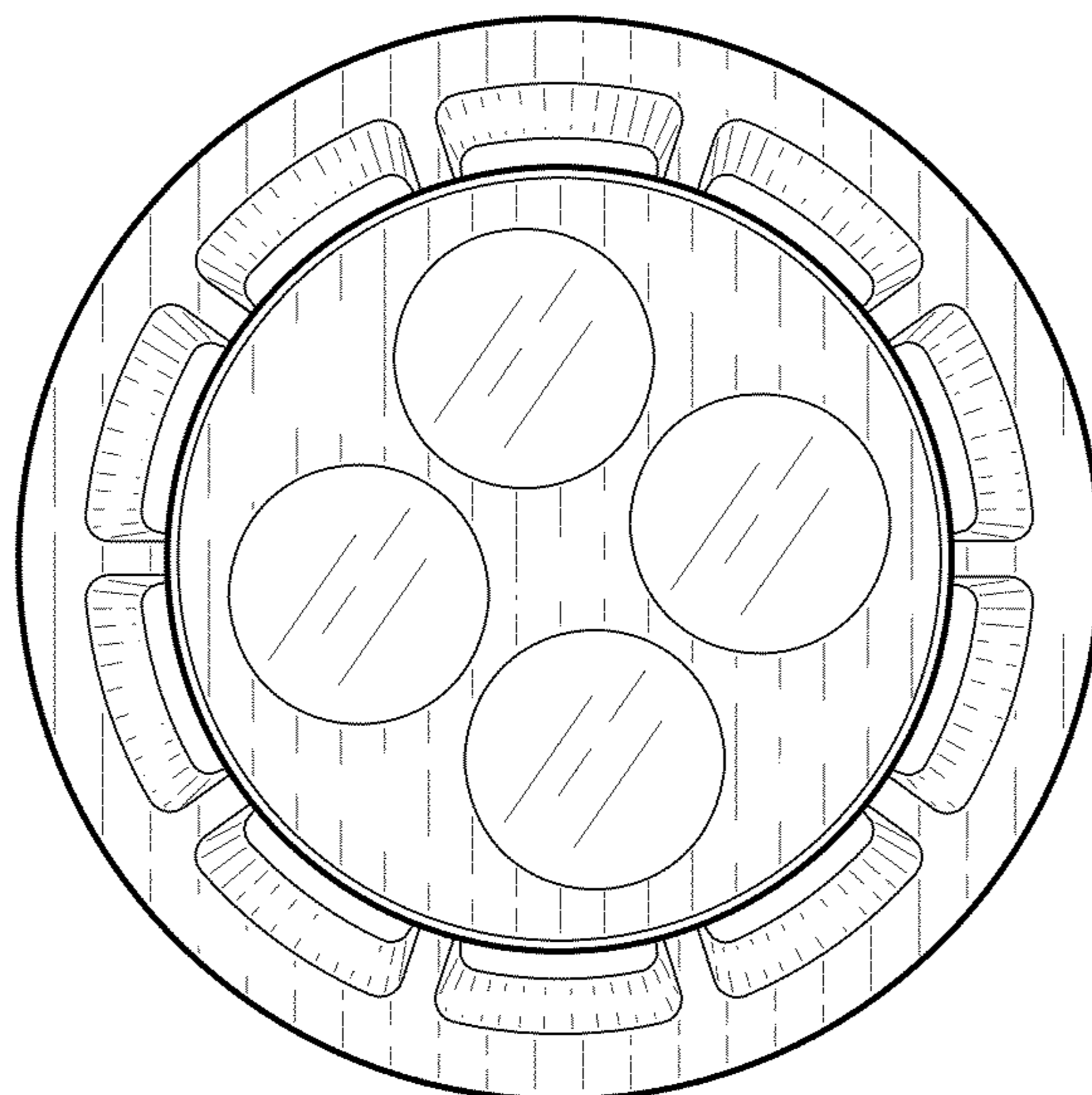


FIG. 6

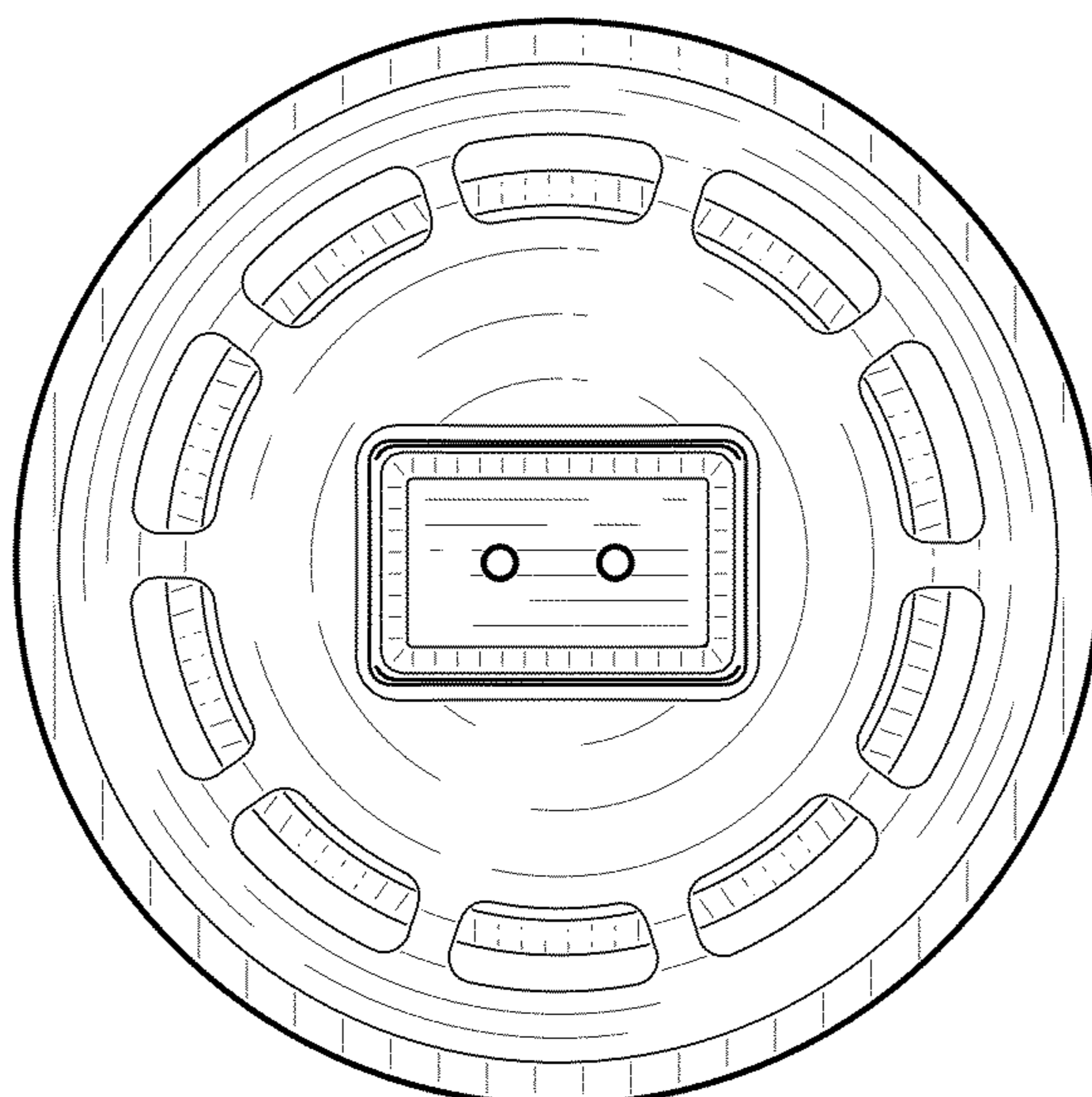


FIG. 7