



US00D705978S

(12) **United States Design Patent**  
**Rhodes**

(10) **Patent No.:** **US D705,978 S**

(45) **Date of Patent:** **\*\* \*May 27, 2014**

(54) **UNDERWATER LIGHT**

(71) Applicant: **Verde Designs, Inc.**, Tempe, AZ (US)

(72) Inventor: **Jim Rhodes**, Chandler, AZ (US)

(73) Assignee: **Verde Designs, Inc.**, Tempe, AZ (US)

(\* ) Notice: This patent is subject to a terminal disclaimer.

(\*\* ) Term: **14 Years**

(21) Appl. No.: **29/458,762**

(22) Filed: **Jun. 21, 2013**

(51) **LOC (10) Cl.** ..... **26-03**

(52) **U.S. Cl.**  
USPC ..... **D26/89**

(58) **Field of Classification Search**  
USPC ..... D26/28, 72, 74, 80, 84, 88, 89, 118,  
D26/128; 362/147, 488-493, 363, 453-456,  
362/605, 608, 632, 101, 477  
See application file for complete search history.

(56) **References Cited**

**U.S. PATENT DOCUMENTS**

3,221,162	A *	11/1965	Heenan et al.	.....	362/477
D298,173	S *	10/1988	Oosterheerd	.....	D26/42
D313,864	S *	1/1991	Macaluso	.....	D26/29
D492,047	S *	6/2004	Dohogne et al.	.....	D26/28

D510,147	S *	9/2005	Huang	.....	D26/28
D511,020	S *	10/2005	Egawa et al.	.....	D26/89
7,207,701	B2 *	4/2007	Kennedy et al.	.....	362/477
D603,537	S *	11/2009	Rowehl et al.	.....	D26/36
7,651,250	B2 *	1/2010	Griffin	.....	362/493
D640,181	S *	6/2011	Calvin et al.	.....	D26/28
8,167,468	B1 *	5/2012	Olsson et al.	.....	362/477
8,246,189	B2 *	8/2012	Muller et al.	.....	362/101
8,360,589	B2 *	1/2013	Friedson	.....	362/101

\* cited by examiner

*Primary Examiner* — Clare E Heflin

(74) *Attorney, Agent, or Firm* — Marcus C. Dawes; Daniel L. Dawes

(57) **CLAIM**

The ornamental design for an underwater light, as shown and described.

**DESCRIPTION**

FIG. 1 is a perspective view of an underwater light, showing my new design.

FIG. 2 is a top view of the underwater light of FIG. 1.

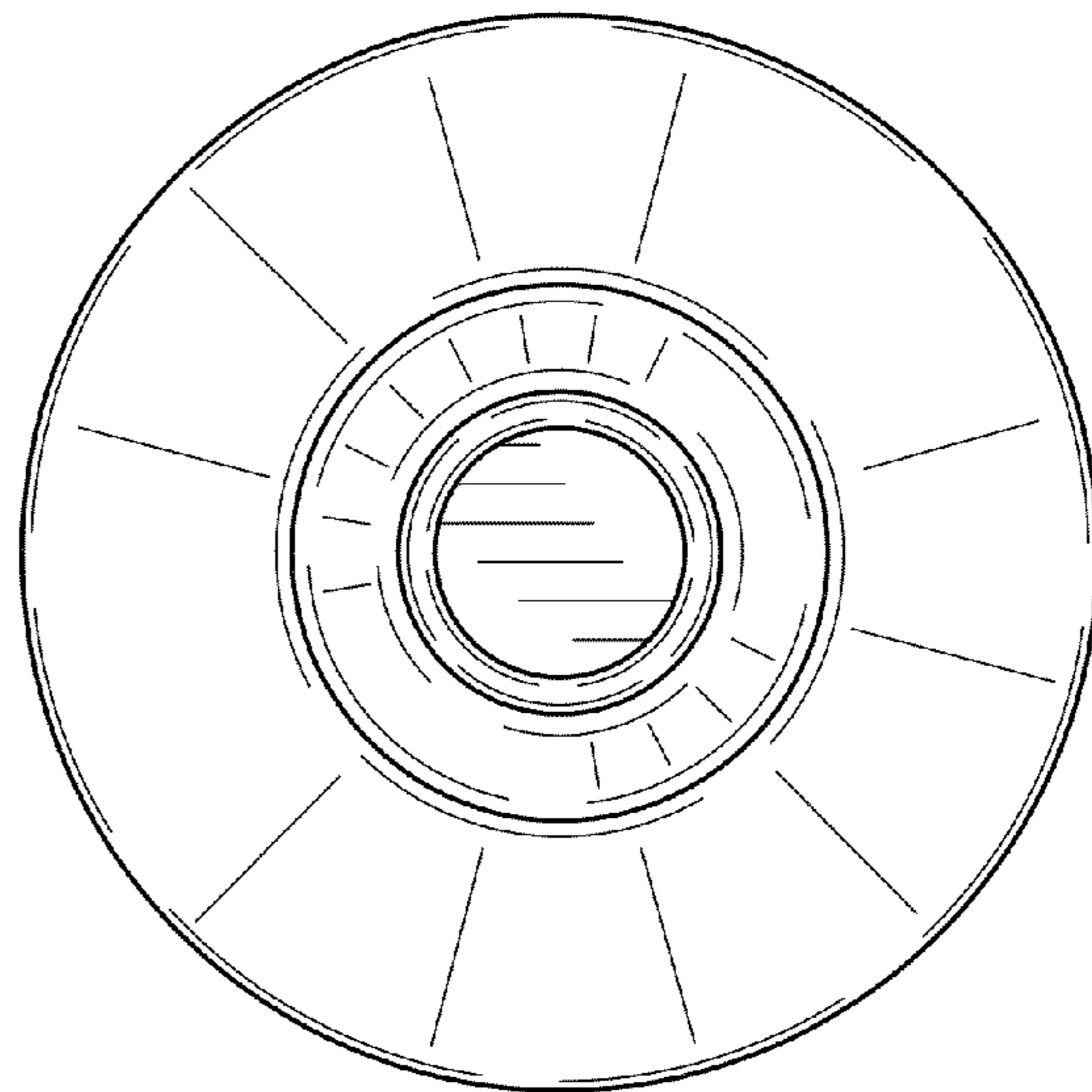
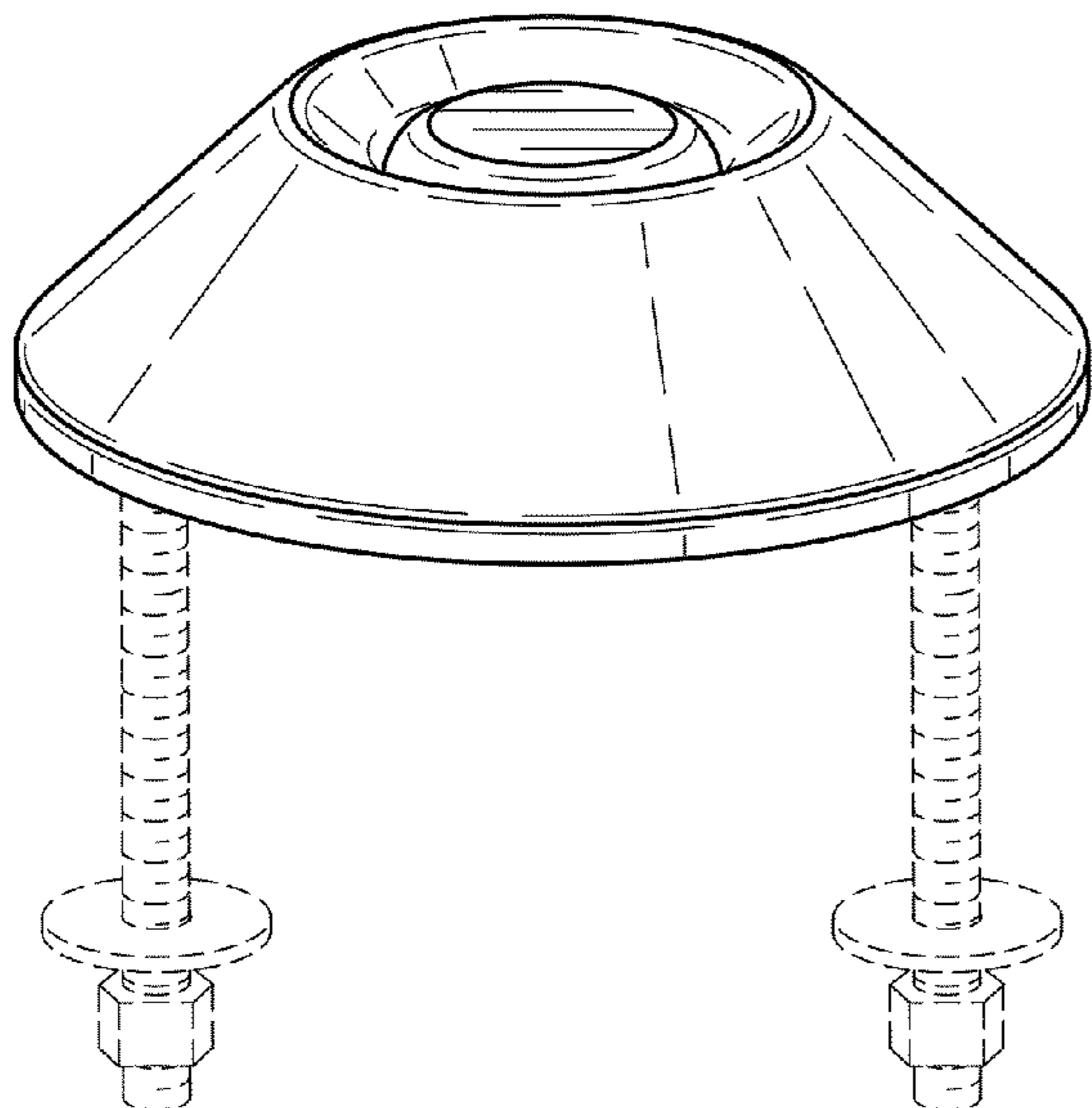
FIG. 3 is a side view of the underwater light of FIG. 1.

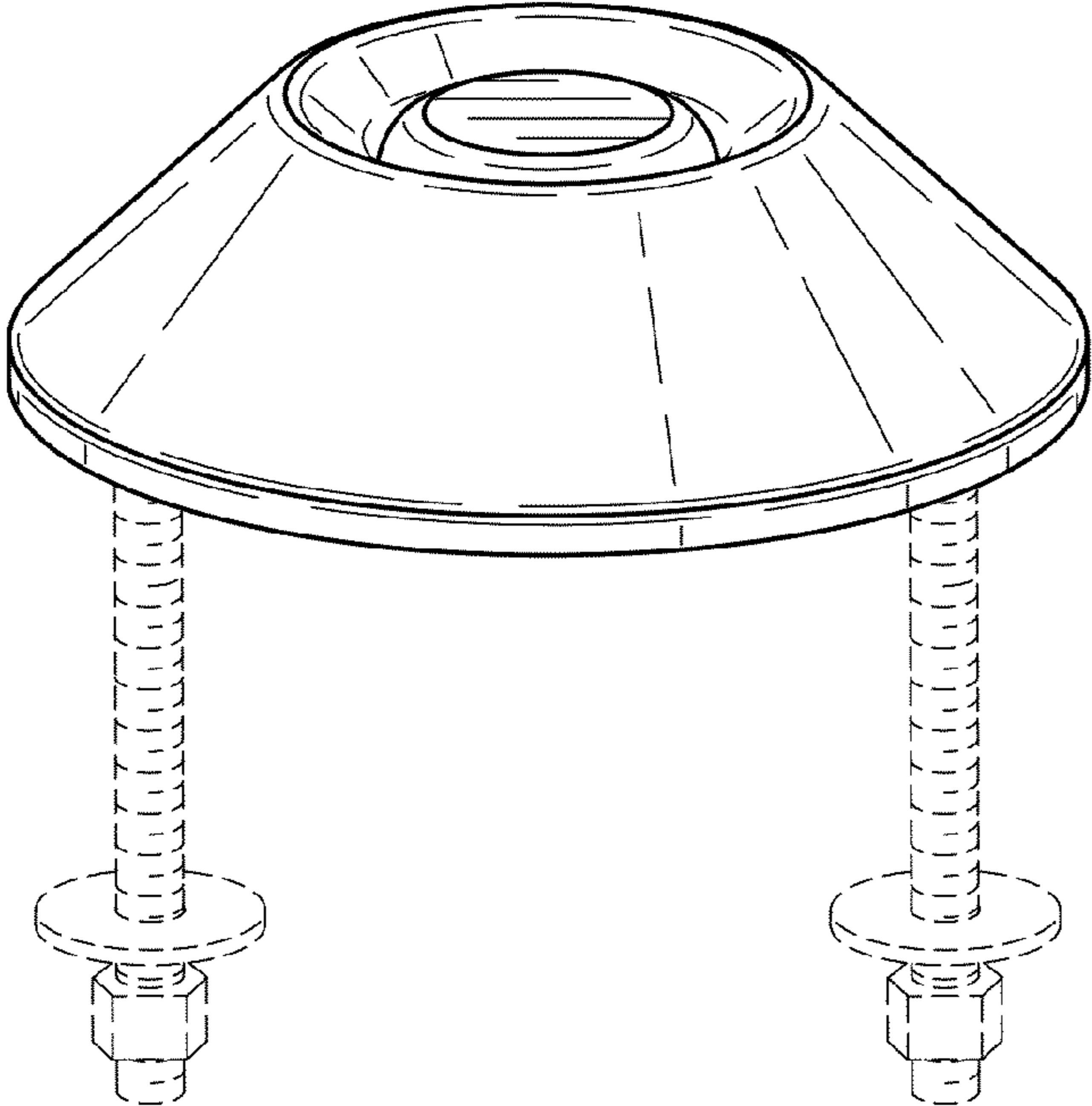
FIG. 4 is an elevational view of the front side of the underwater light of FIG. 1; and,

FIG. 5 is a bottom view of the underwater light of FIG. 1.

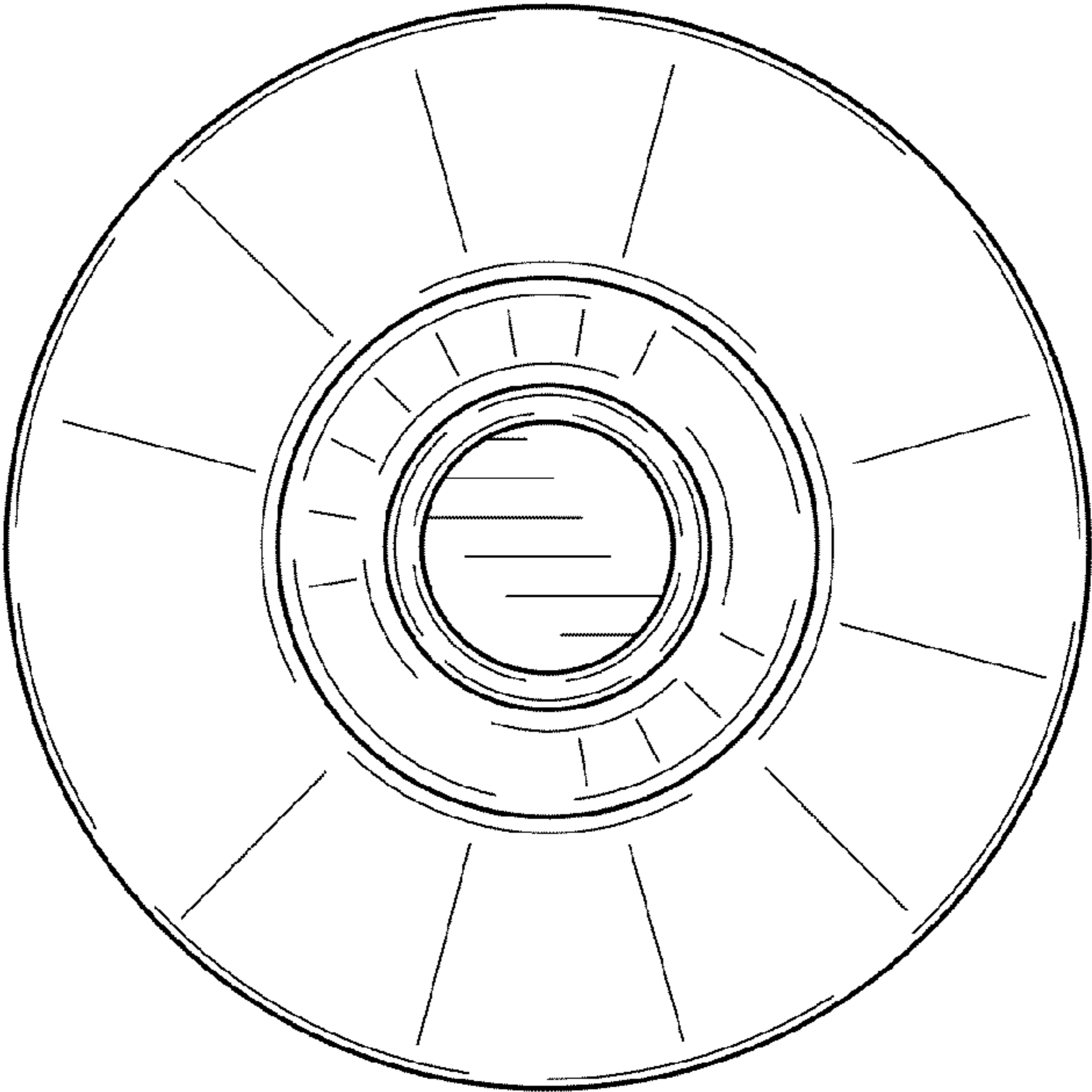
The broken lines shown on the drawings depict environment only and form no part of the claimed design.

**1 Claim, 2 Drawing Sheets**





**FIG. 1**



**FIG. 2**

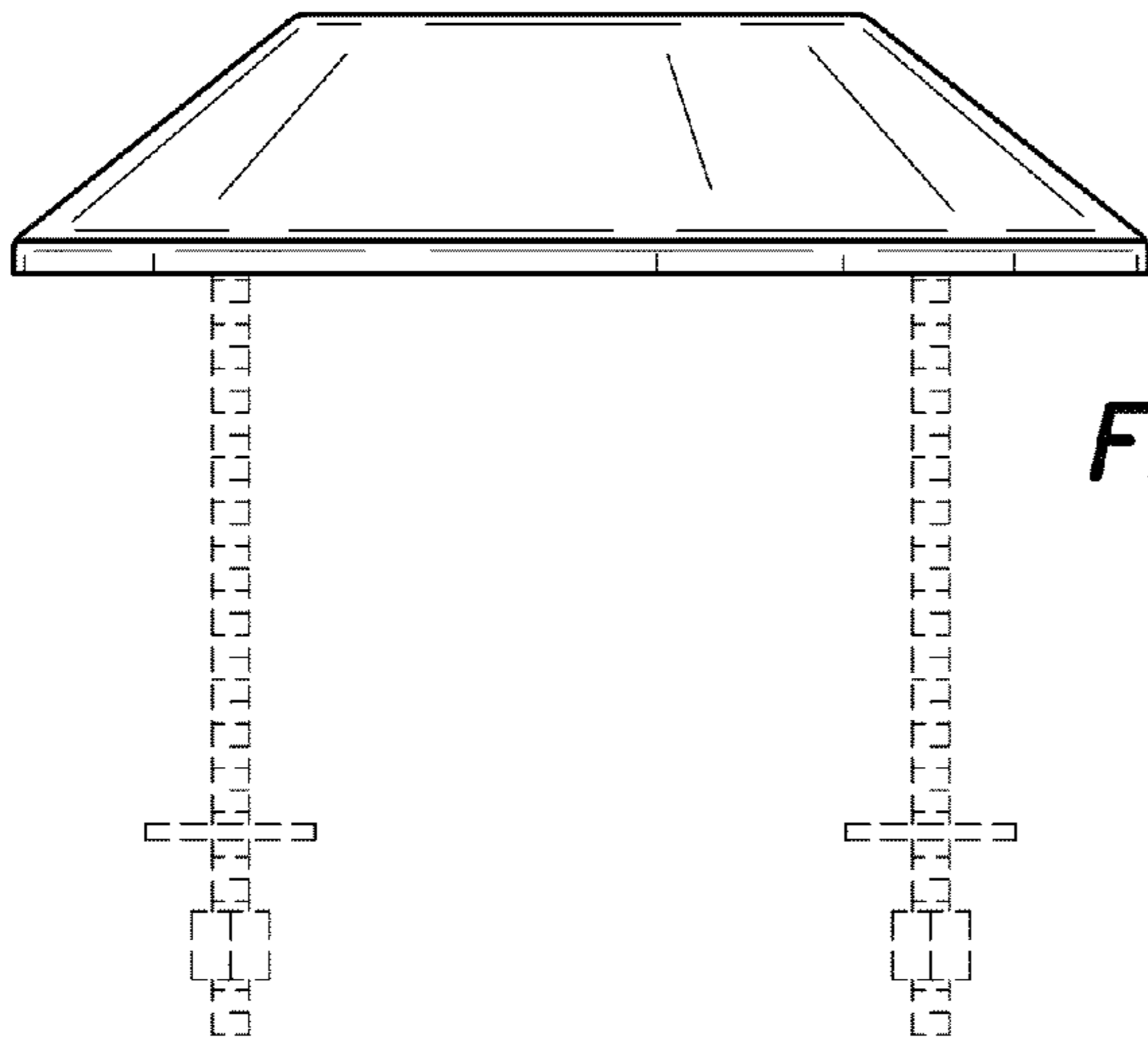


FIG. 3

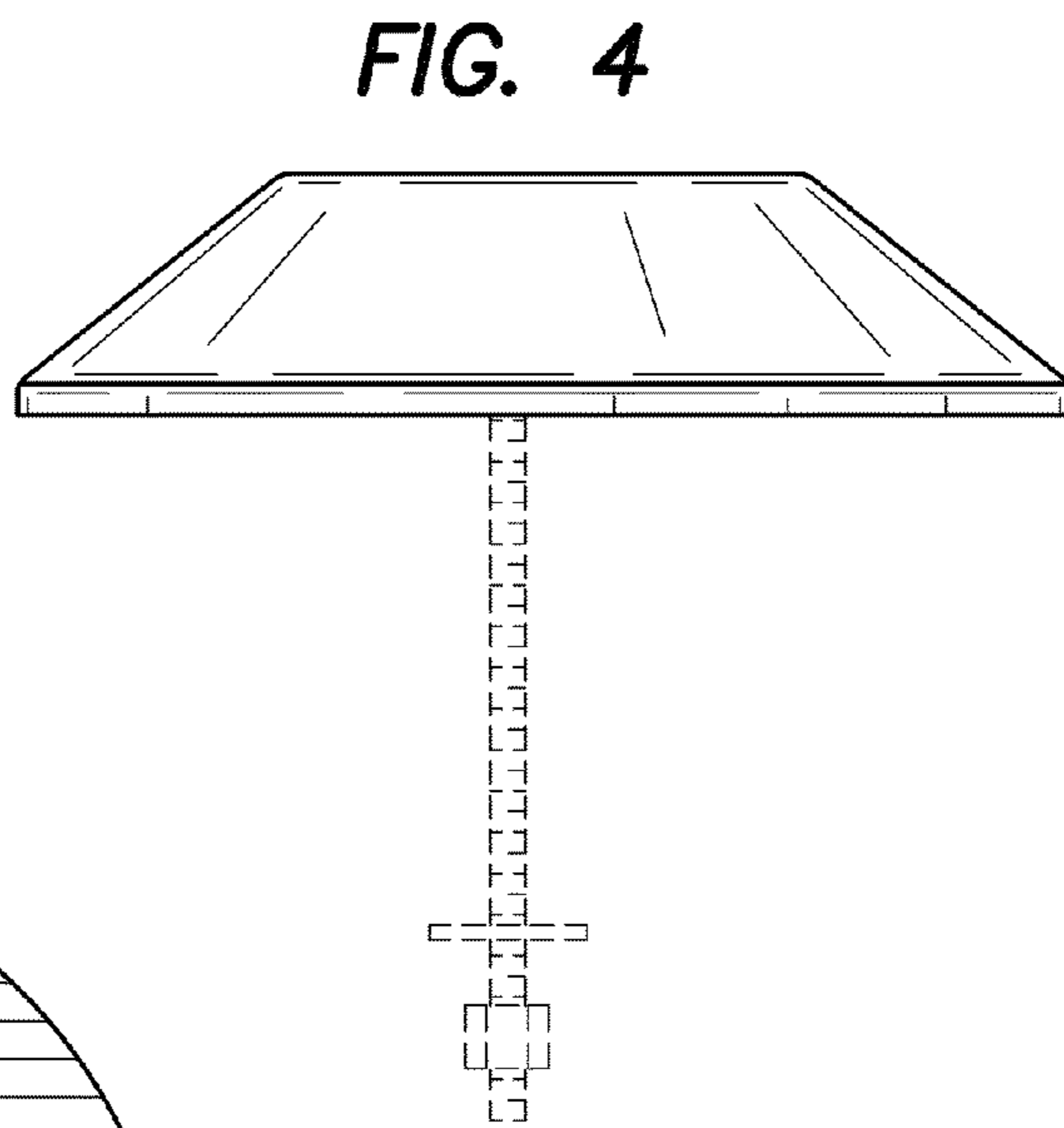


FIG. 4

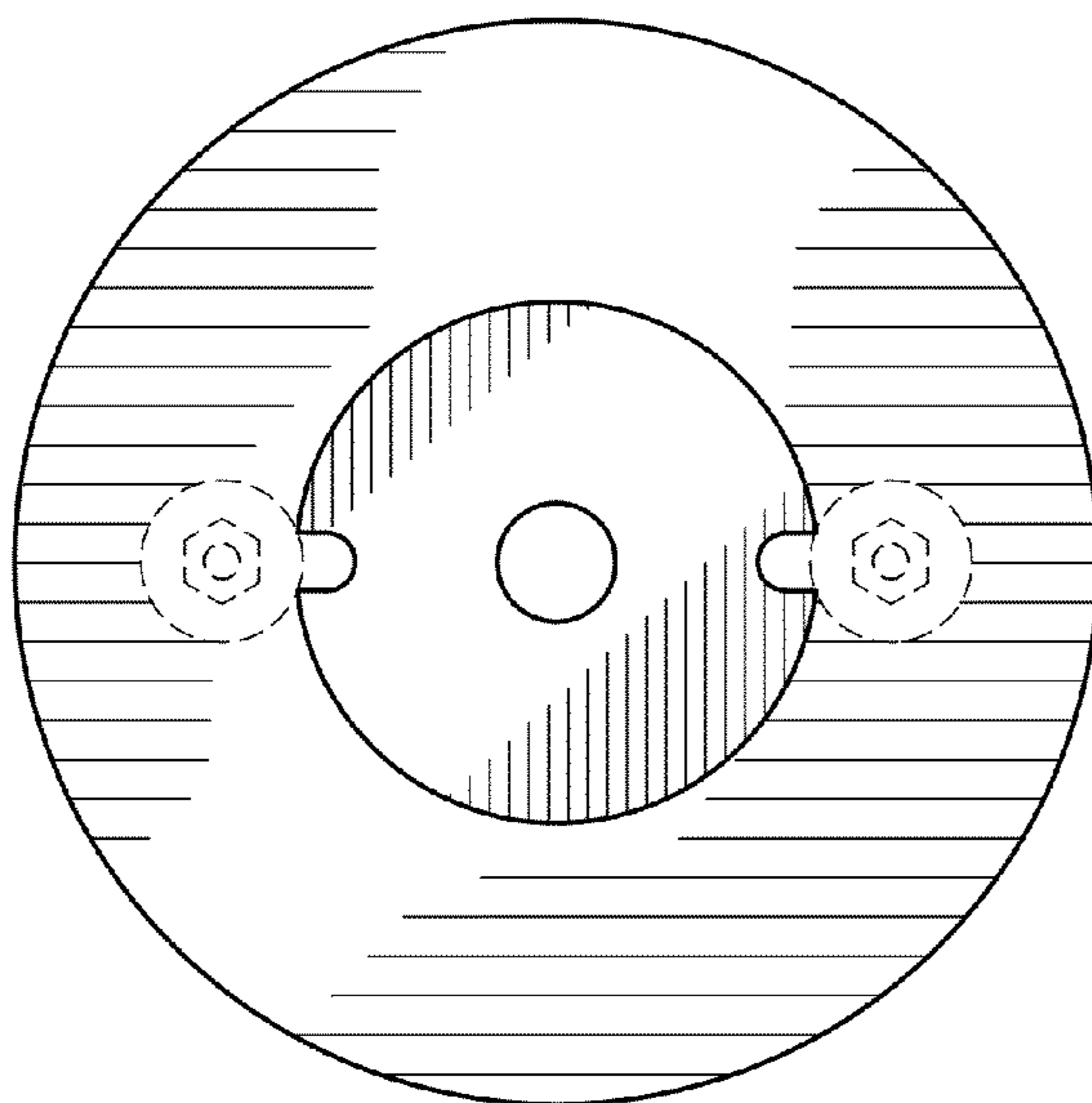


FIG. 5