



US00D705976S

(12) **United States Design Patent**
Hedstrom et al.

(10) **Patent No.:** **US D705,976 S**

(45) **Date of Patent:** **** May 27, 2014**

(54) **LIGHTING FIXTURE**

(71) Applicant: **Delta T Corporation**, Lexington, KY
(US)

(72) Inventors: **Kristen K. Hedstrom**, Lexington, KY
(US); **Terry M. Birchler**, Blacklick, OH
(US); **Shawn Whetstone**, New Albany,
OH (US)

(73) Assignee: **Delta T Corporation**, Lexington, KY
(US)

(**) Term: **14 Years**

(21) Appl. No.: **29/464,735**

(22) Filed: **Aug. 20, 2013**

(51) **LOC (10) Cl.** **26-03**

(52) **U.S. Cl.**
USPC **D26/76; D26/119**

(58) **Field of Classification Search**
USPC D26/72, 75-78, 118, 119, 120, 122;
362/147, 217.01-217.12, 218,
362/221-225, 345
See application file for complete search history.

(56) **References Cited**

U.S. PATENT DOCUMENTS

D149,427 S *	4/1948	Lindahl	D26/77
D149,655 S *	5/1948	Lindahl	D26/77
D151,575 S *	10/1948	Winkler et al.	D26/77
D151,576 S *	10/1948	Winkler et al.	D26/77
D151,577 S *	10/1948	Winkler et al.	D26/77
D180,533 S *	6/1957	Stevens	D26/76
D186,952 S *	12/1959	Akely et al.	D26/76
D188,436 S *	7/1960	Budke et al.	D26/77
D198,183 S *	5/1964	Akely	D26/71
D208,572 S *	9/1967	Wakefield	D26/76

(Continued)

Primary Examiner — Clare E Heflin

(74) *Attorney, Agent, or Firm* — King & Schickli, PLLC

(57) **CLAIM**

The ornamental design for a lighting fixture, as shown and described.

DESCRIPTION

FIG. 1 is a bottom perspective view of a first embodiment the lighting fixture;

FIG. 2 is a top perspective view of the first embodiment of the lighting fixture;

FIG. 3 is a right side view of the first embodiment of the lighting fixture;

FIG. 4 is a front view of the first embodiment of the lighting fixture;

FIG. 5 is a left side view of the first embodiment of the lighting fixture;

FIG. 6 is a rear view of the first embodiment of the lighting fixture;

FIG. 7 is a top view of the first embodiment of the lighting fixture; and

FIG. 8 is a bottom view of the first embodiment of the lighting fixture.

FIG. 9 is a bottom perspective view of a second embodiment of the lighting fixture;

FIG. 10 is a top perspective view of the second embodiment of the lighting fixture;

FIG. 11 is a right side view of the second embodiment of the lighting fixture;

FIG. 12 is a front view of the second embodiment of the lighting fixture;

FIG. 13 is a rear view of the second embodiment of the lighting fixture;

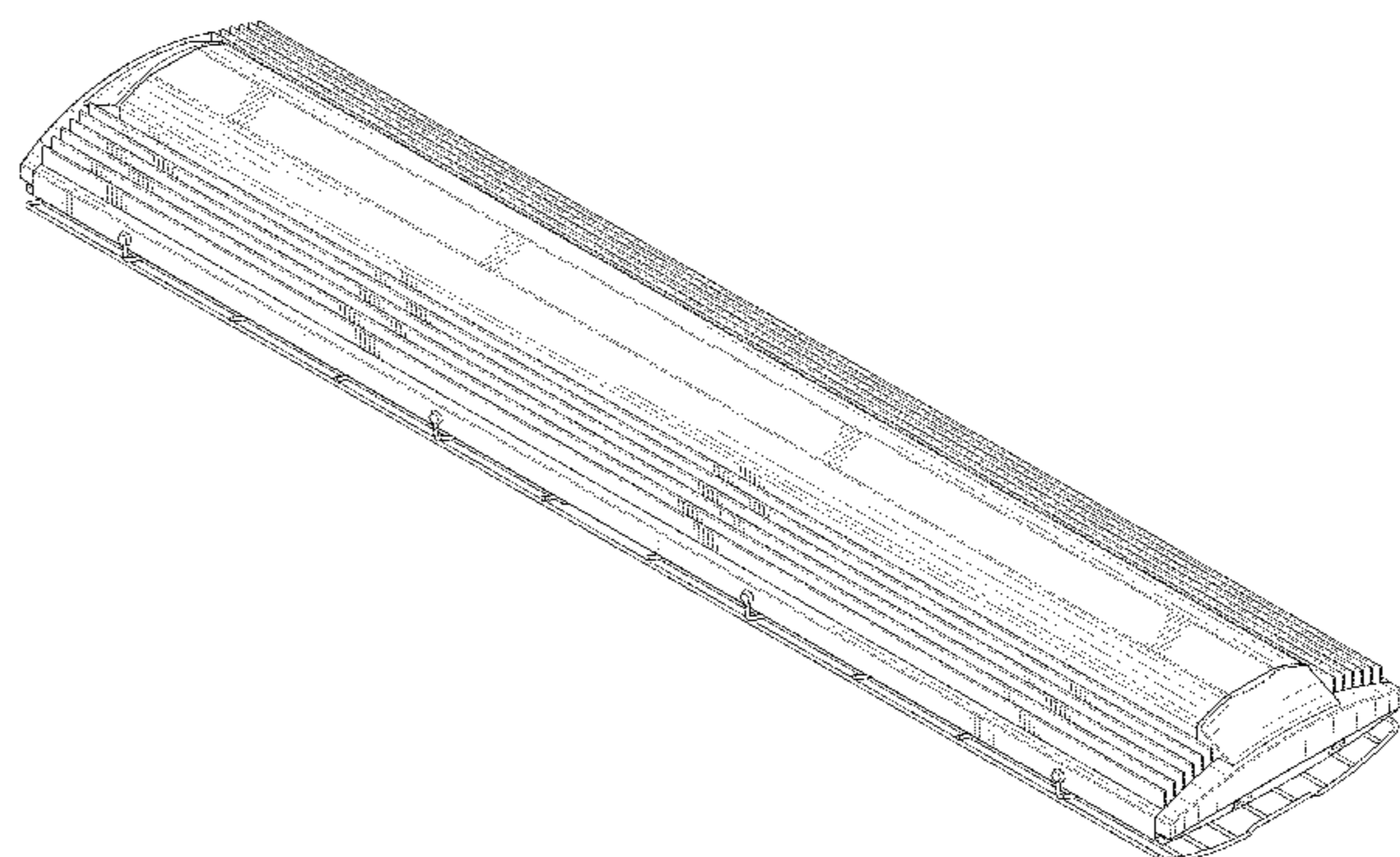
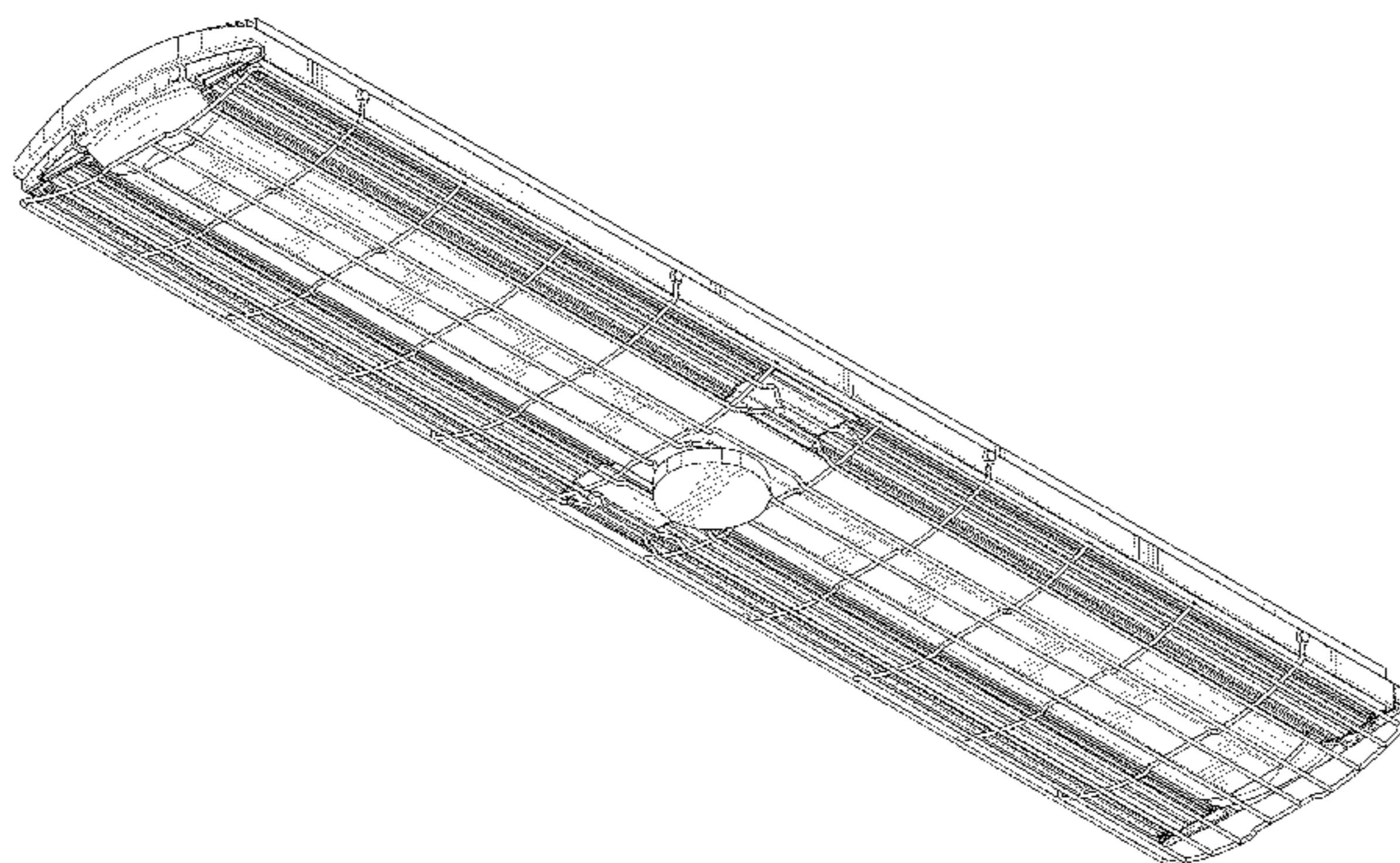
FIG. 14 is a left side view of the second embodiment of the lighting fixture;

FIG. 15 is a bottom view of the second embodiment of the lighting fixture; and,

FIG. 16 is a top view of the second embodiment of the lighting fixture.

The broken lines shown on the drawings depict portions of the lighting fixture that form no part of the claimed design.

1 Claim, 10 Drawing Sheets



(56)

References Cited

U.S. PATENT DOCUMENTS

D449,400 S *	10/2001	Tillman et al.	D26/76	8,109,647 B2	2/2012	Soo et al.	
D491,687 S *	6/2004	Thornton et al.	D26/76	8,157,420 B2	4/2012	Song et al.	
D495,085 S *	8/2004	Thornton et al.	D26/76	D662,643 S *	6/2012	Takahashi et al.	D26/76
D497,025 S *	10/2004	Waldmann	D26/78	8,197,086 B2 *	6/2012	Watanabe et al.	362/218
D503,821 S *	4/2005	Waldmann	D26/78	D663,882 S *	7/2012	Muraishi et al.	D26/76
7,095,187 B2	8/2006	Young		8,267,544 B2	9/2012	Zheng et al.	
7,119,500 B2	10/2006	Young		8,360,613 B2 *	1/2013	Little, Jr.	362/294
7,119,501 B2	10/2006	Young		8,425,085 B2	4/2013	Van Laanen et al.	
7,132,805 B2	11/2006	Young		8,434,914 B2	5/2013	Li et al.	
7,159,997 B2	1/2007	Reo et al.		8,474,996 B2	7/2013	Zhang et al.	
D596,778 S *	7/2009	Yamazato	D26/76	8,573,799 B2	11/2013	Lee et al.	
D597,701 S *	8/2009	Tran et al.	D26/76	2006/0146531 A1	7/2006	Reo et al.	
7,626,345 B2	12/2009	Young		2009/0310354 A1	12/2009	Zampini, II et al.	
D610,294 S *	2/2010	Theusch	D26/76	2010/0315813 A1 *	12/2010	Fugerer et al.	362/235
7,810,963 B2	10/2010	Peck		2011/0141729 A1	6/2011	Yang et al.	
7,824,055 B2	11/2010	Sherman		2011/0211330 A1	9/2011	Wang	
7,845,824 B2	12/2010	Robotham		2011/0228528 A1	9/2011	Yang et al.	
7,857,482 B2	12/2010	Reo et al.		2012/0014108 A1	1/2012	Greenfield et al.	
7,862,202 B2 *	1/2011	Laso et al.	362/217.16	2012/0051050 A1	3/2012	Lee et al.	
D645,194 S *	9/2011	Budike et al.	D26/76	2012/0087118 A1	4/2012	Bailey et al.	
8,063,576 B2	11/2011	Routledge		2012/0162982 A1	6/2012	Wang et al.	
8,066,404 B2	11/2011	Song et al.		2012/0250309 A1	10/2012	Handsaker	
8,087,807 B2	1/2012	Liu et al.		2012/0293994 A1	11/2012	McMurray	
				2013/0083522 A1	4/2013	Bowers et al.	
				2013/0094225 A1	4/2013	Leichner	
				2013/0163245 A1	6/2013	Yang et al.	

* cited by examiner

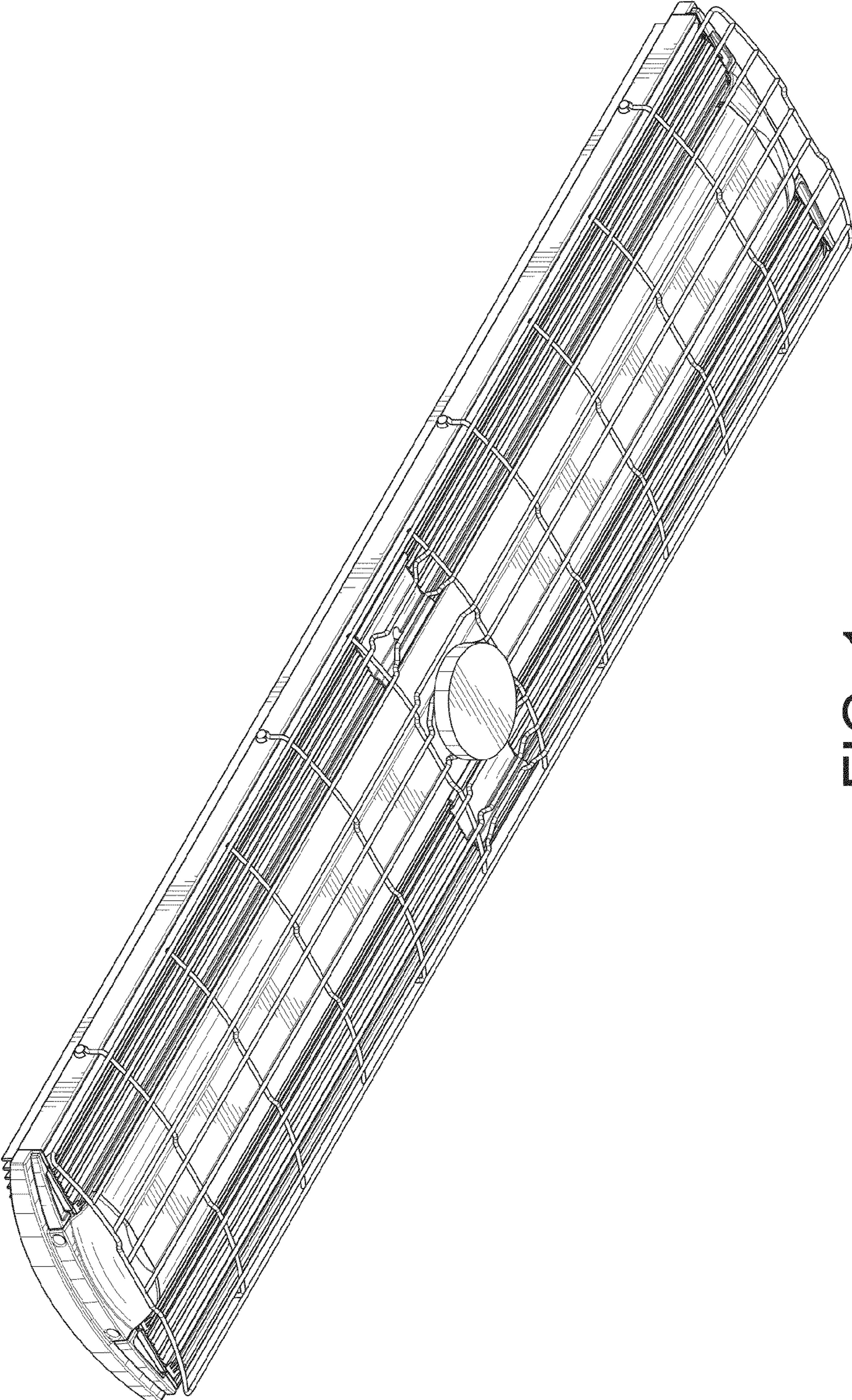


FIG. 1

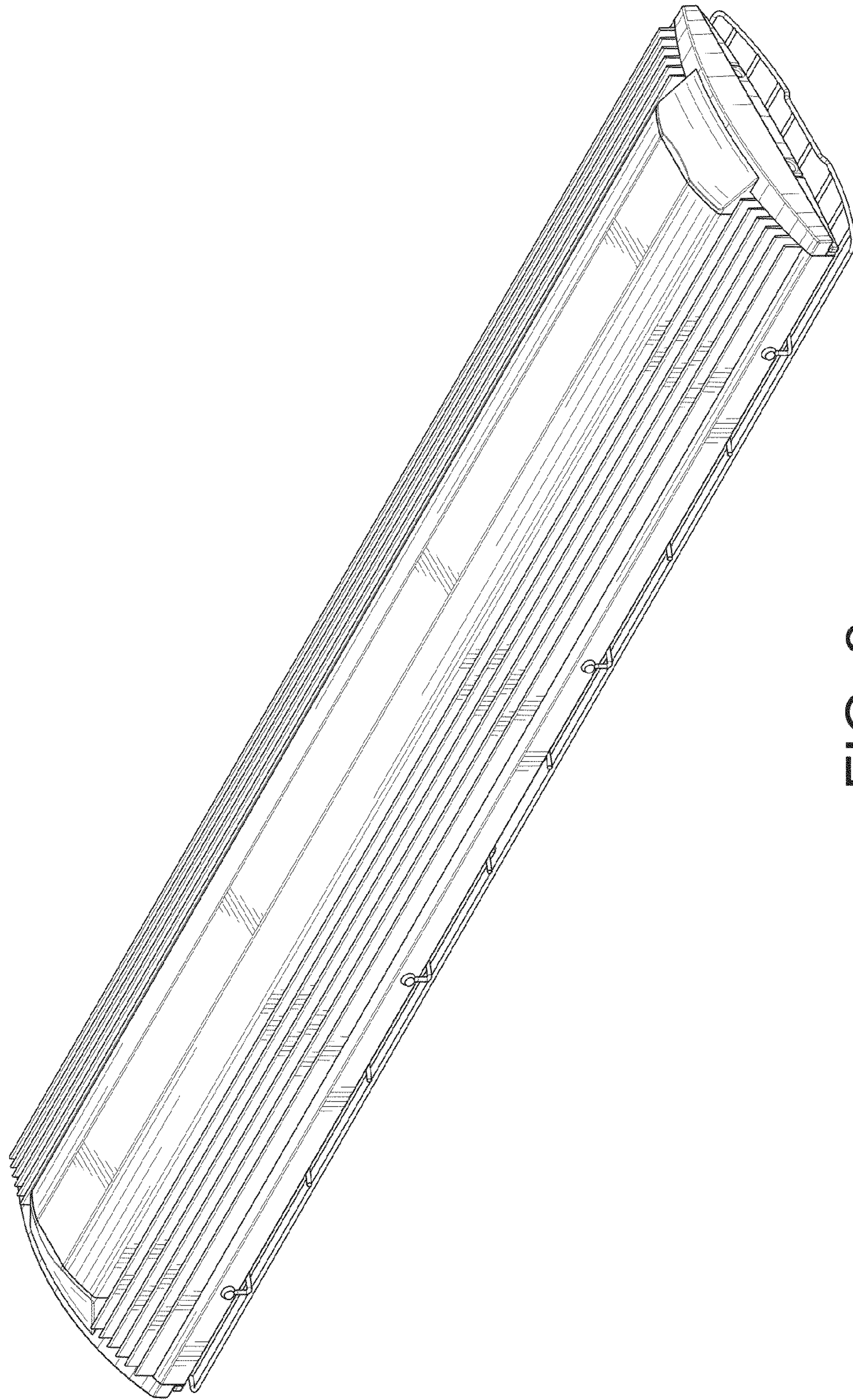


FIG. 2

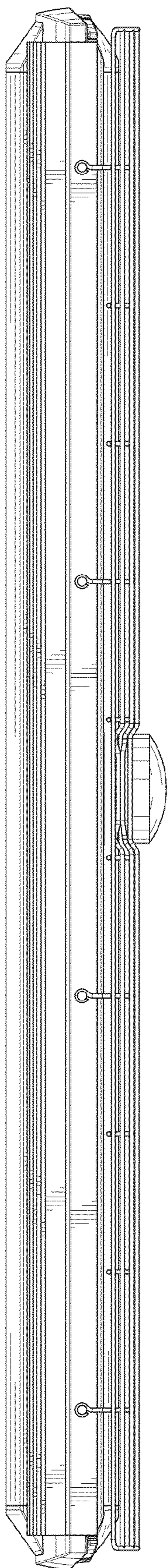


FIG. 3

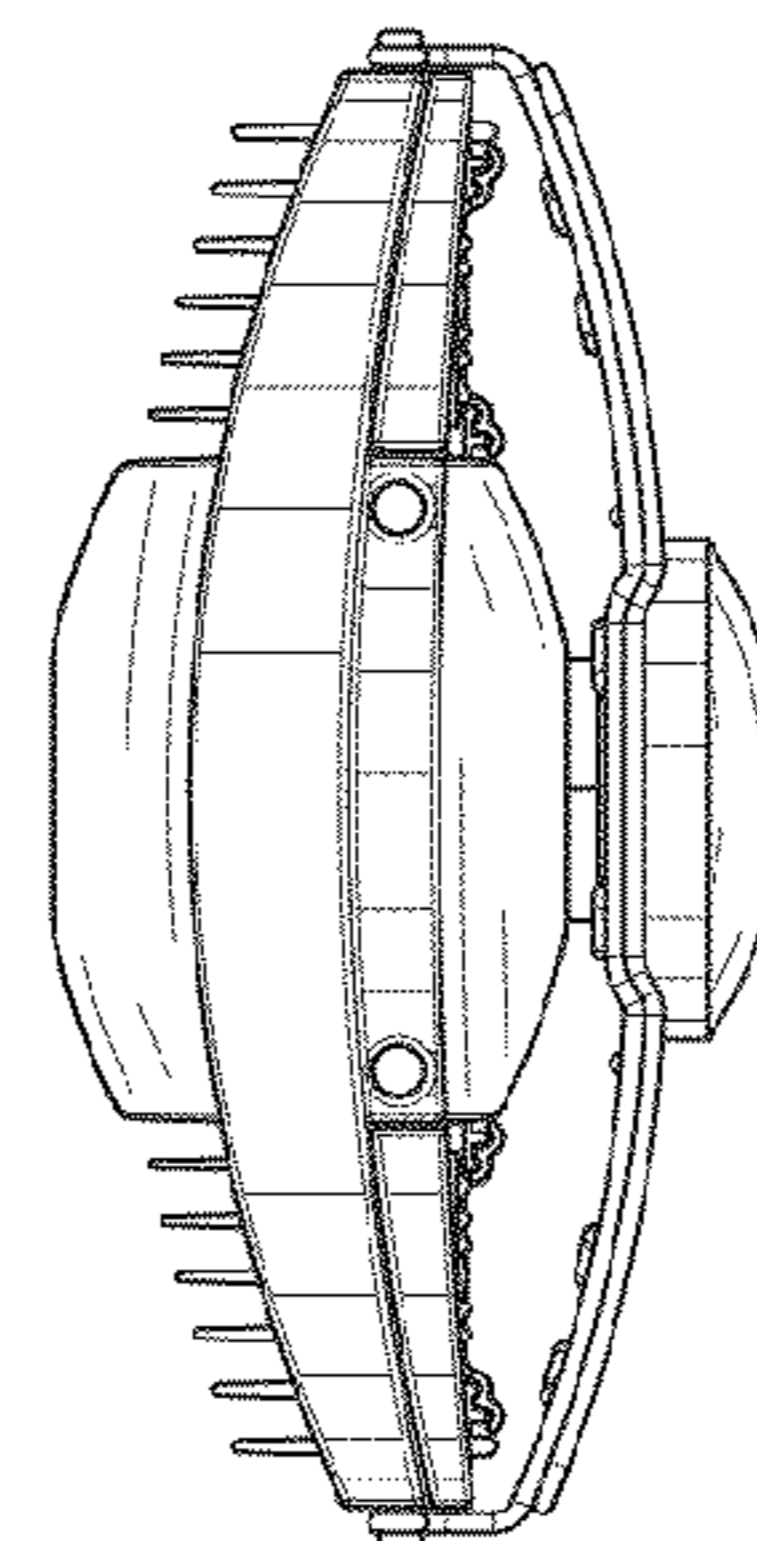


FIG. 6

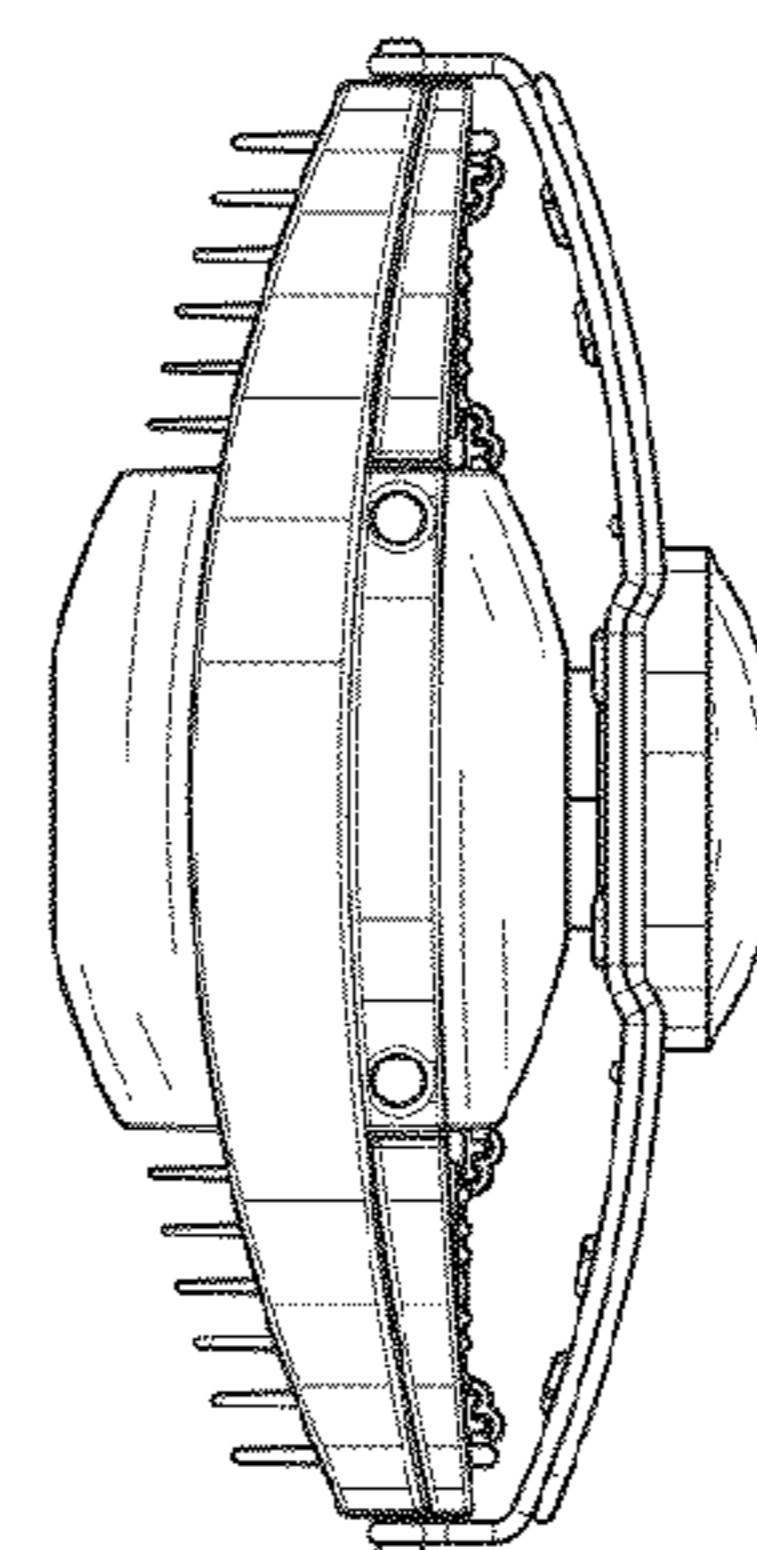


FIG. 4

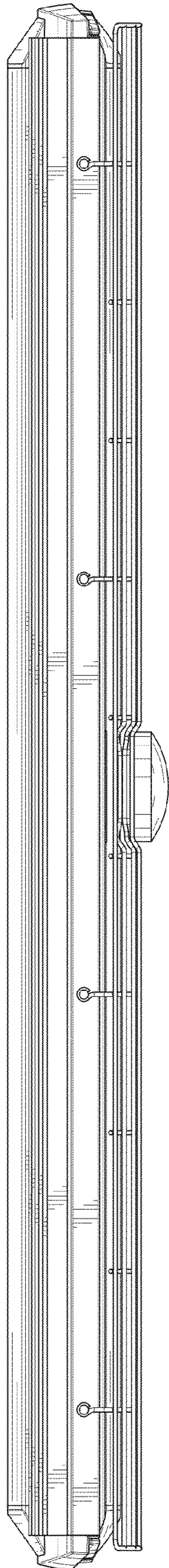


FIG. 5

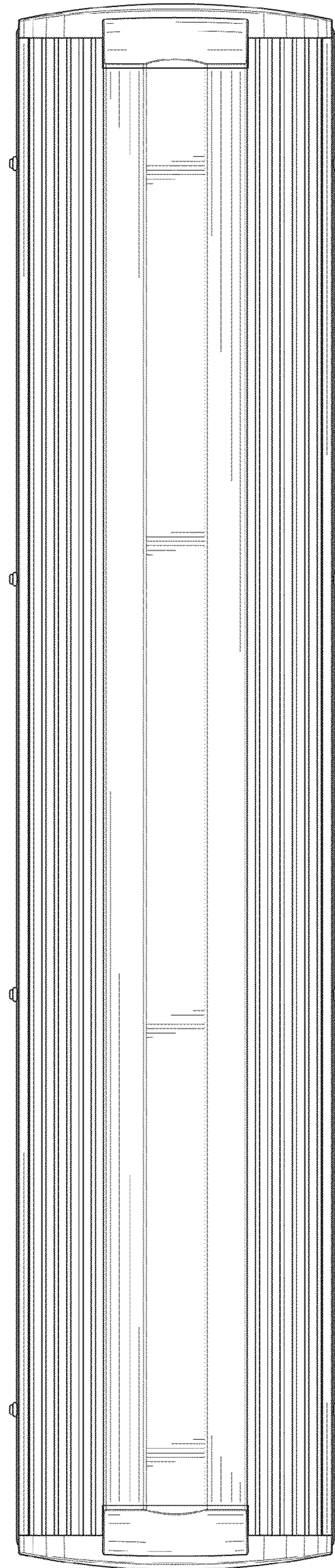


FIG. 7

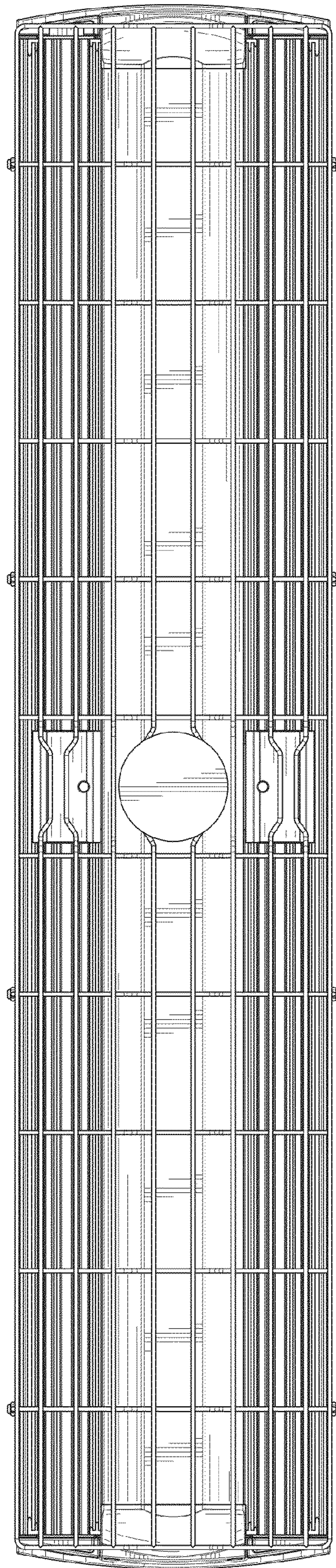


FIG. 8

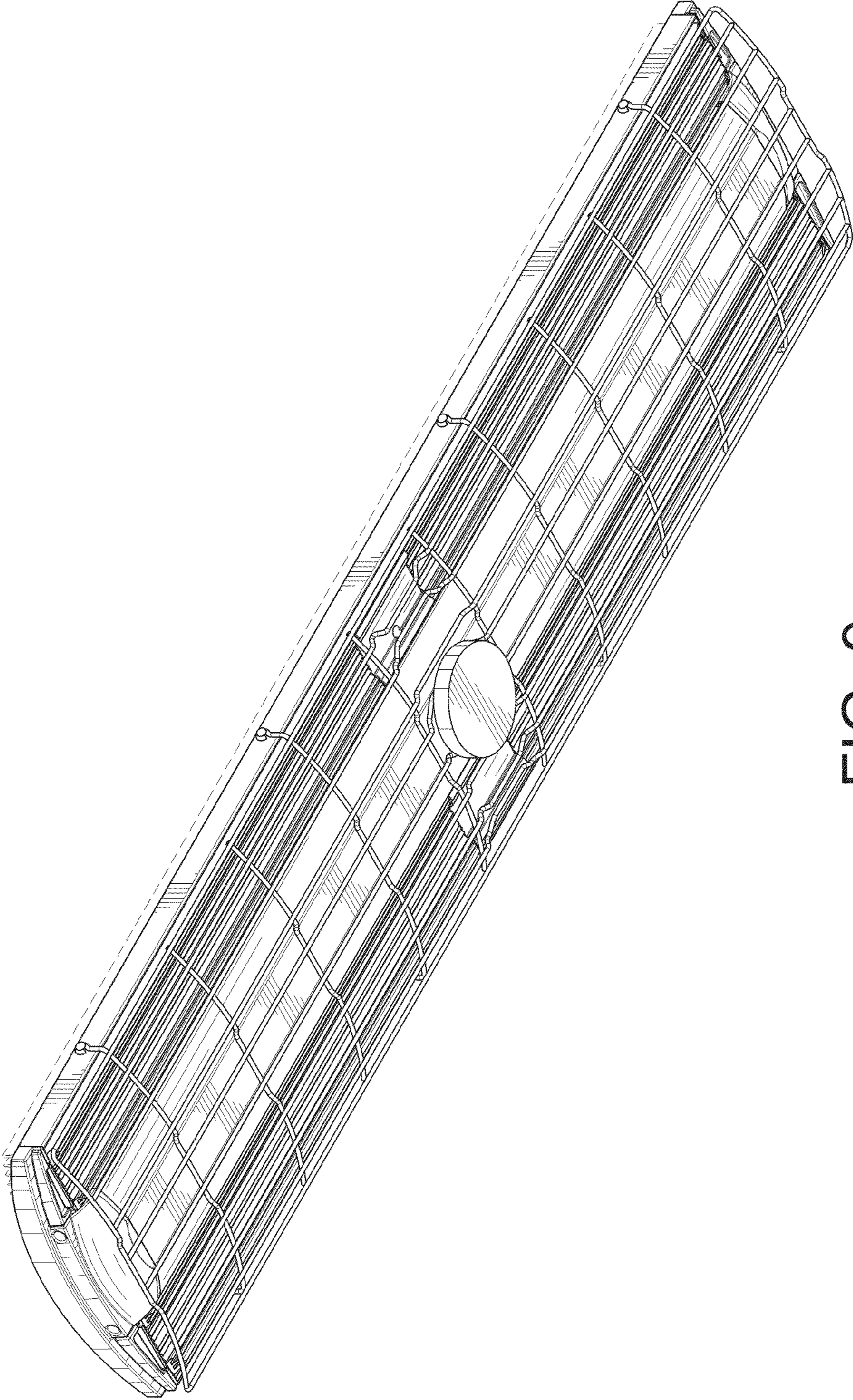


FIG. 9

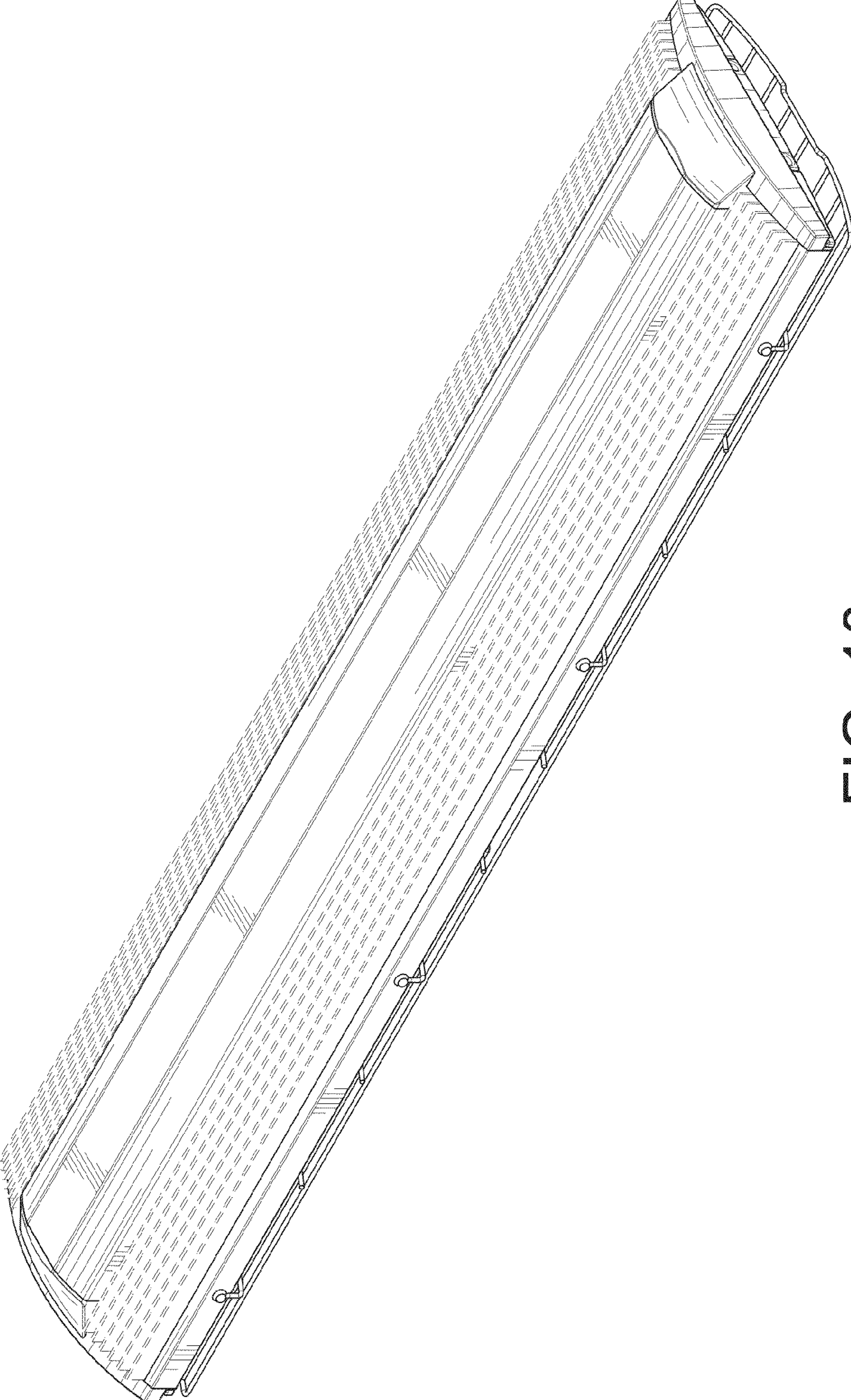


FIG. 10

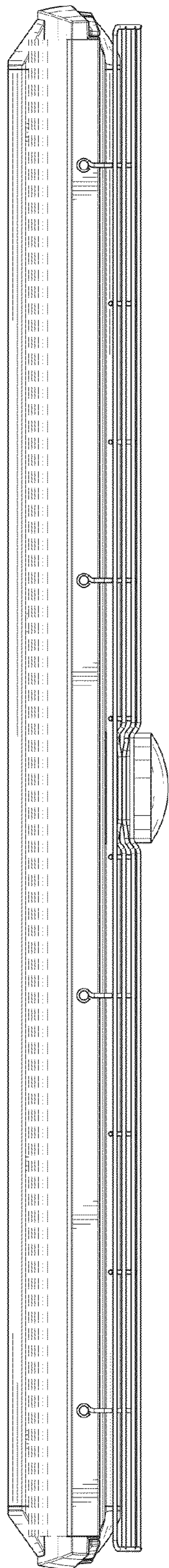


FIG. 11

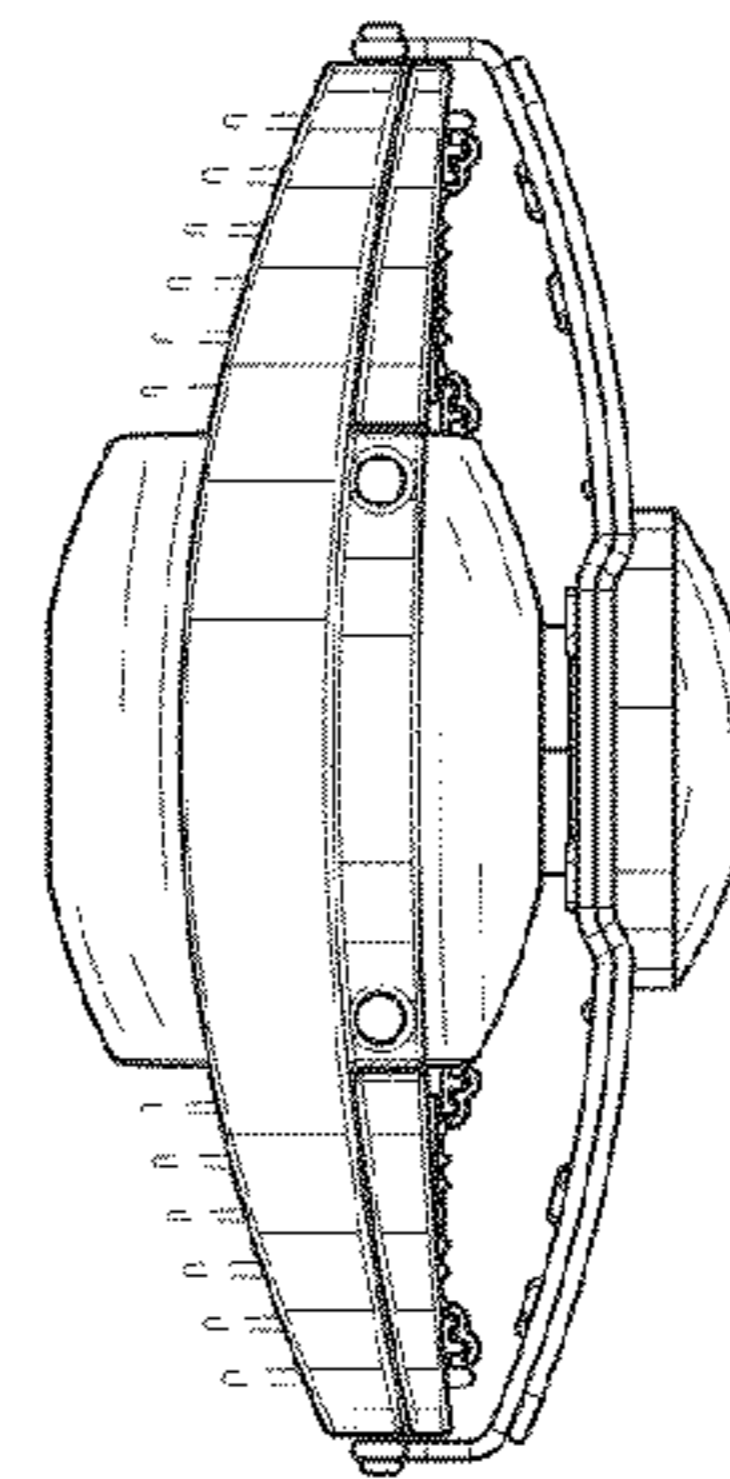


FIG. 14

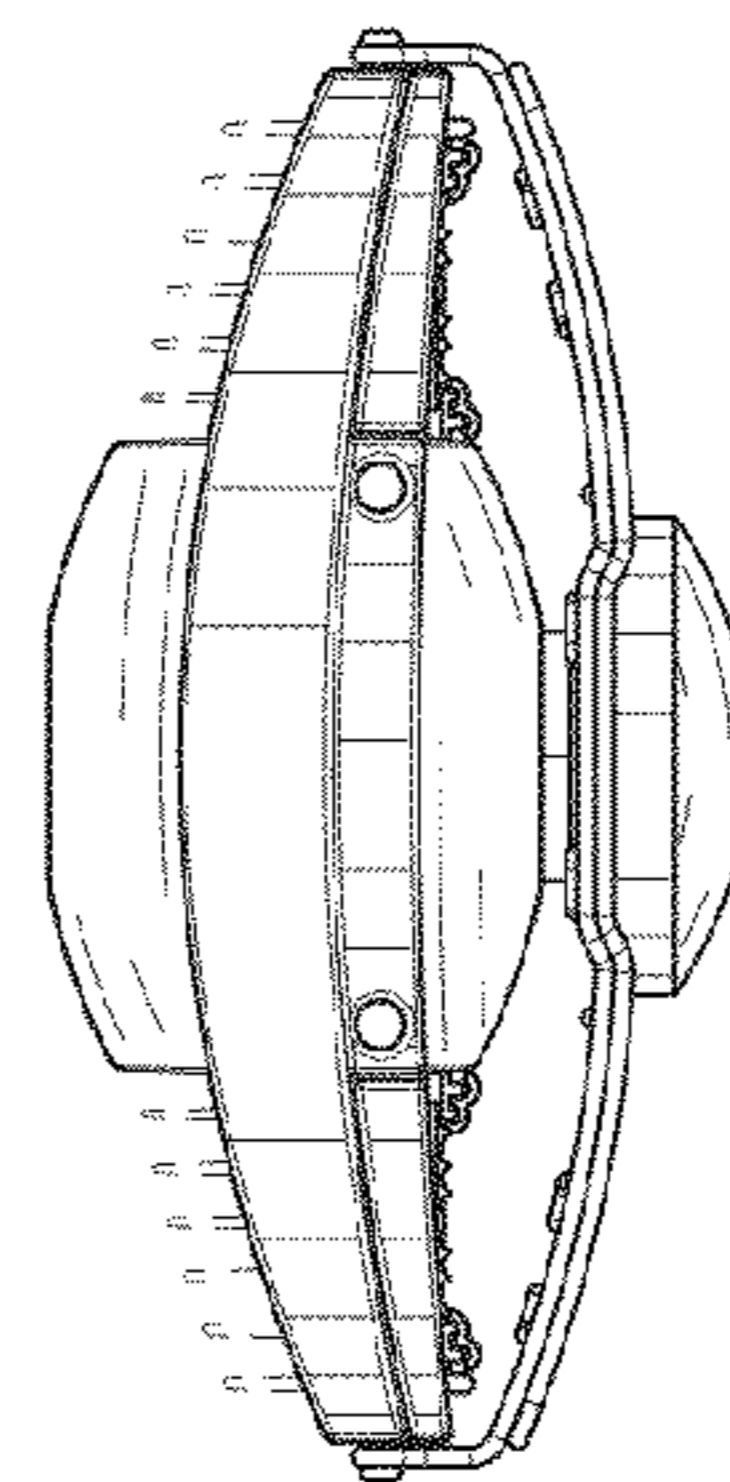


FIG. 12

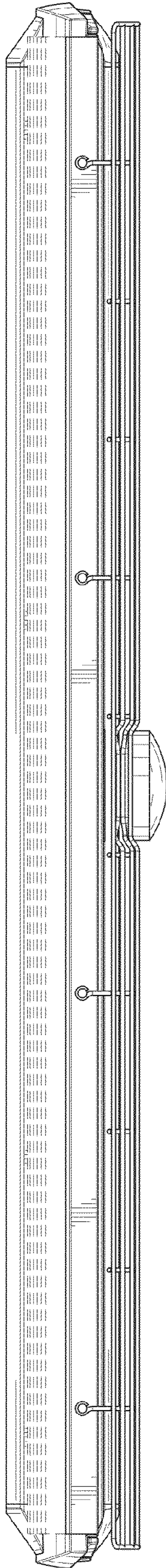


FIG. 13

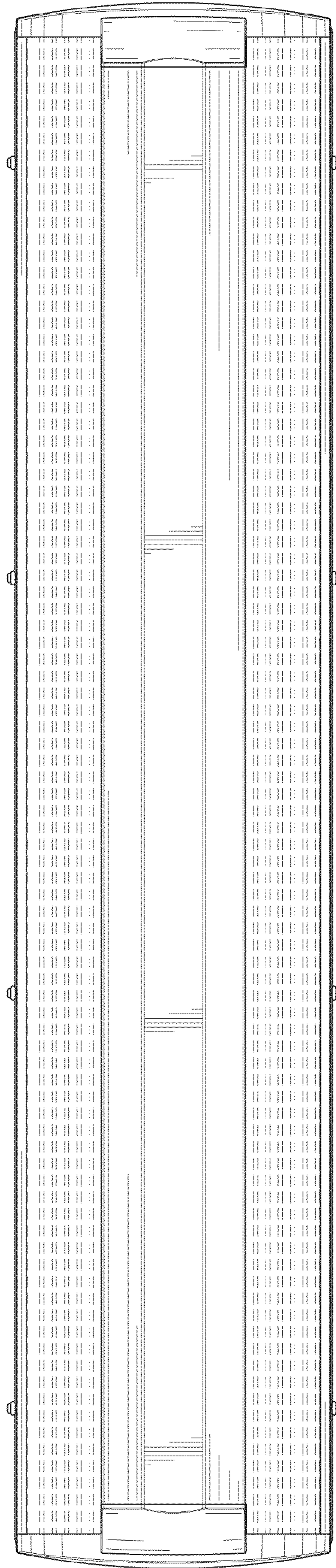


FIG. 15

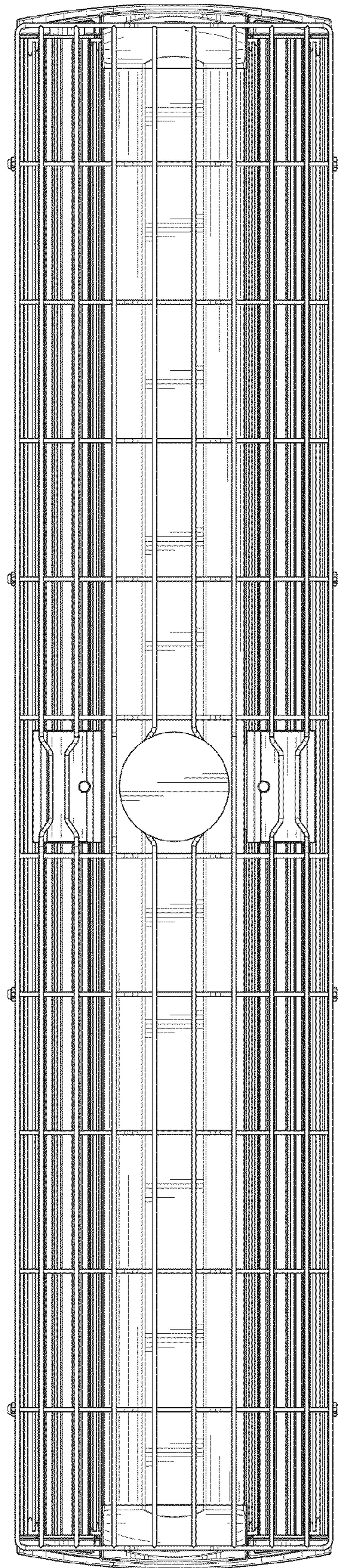


FIG. 16