



US00D705972S

(12) **United States Design Patent**
Oostdyk et al.

(10) **Patent No.:** **US D705,972 S**

(45) **Date of Patent:** **** May 27, 2014**

(54) **THOROUGHFARE SURFACE LIGHT**

(71) Applicant: **Lighting Science Group Corporation**,
Satellite Beach, FL (US)

(72) Inventors: **Mark Andrew Oostdyk**, Cape
Canaveral, FL (US); **Addy S. Widjaja**,
Palm Bay, FL (US); **Fredric S. Maxik**,
Indialantic, FL (US); **David E. Bartine**,
Cocoa, FL (US); **Robert R. Soler**,
Cocoa Beach, FL (US); **Ran Zhou**,
Rockledge, FL (US); **James Lynn**
Schellack, West Melbourne, FL (US)

(73) Assignee: **Lighting Science Group Corporation**,
Satellite Beach, FL (US)

(**) Term: **14 Years**

(21) Appl. No.: **29/452,780**

(22) Filed: **Apr. 22, 2013**

Related U.S. Application Data

(63) Continuation-in-part of application No. 13/839,131,
filed on Mar. 15, 2013.

(51) **LOC (10) Cl.** **26-05**

(52) **U.S. Cl.**
USPC **D26/67**; D10/113.1

(58) **Field of Classification Search**
USPC D26/67, 89; D10/113.1; 362/153,
362/153.1, 157; 404/11, 16
See application file for complete search history.

(56) **References Cited**

U.S. PATENT DOCUMENTS

D104,464 S * 5/1937 McCarthy D10/113.1
D107,579 S * 12/1937 Ranney D10/113.1
D214,538 S * 6/1969 Hedgewick D10/113.1
3,485,148 A * 12/1969 Heenan 404/12

D311,704 S * 10/1990 May D10/113.1
5,069,577 A * 12/1991 Murphy 404/11
D326,060 S * 5/1992 Sakko D10/113.1
D339,080 S * 9/1993 Gartlacher D10/113.1
D360,601 S * 7/1995 Weid D10/113.1
D382,826 S * 8/1997 Sakko D10/113.1
5,667,335 A * 9/1997 Khieu et al. 404/14
D385,809 S * 11/1997 Chen D10/113.1
D388,353 S * 12/1997 Desborough et al. D10/113.1
D422,523 S * 4/2000 Weid D10/113.1
6,461,077 B1 * 10/2002 Siblik 404/16
D492,907 S * 7/2004 Attar D10/113.1
D520,394 S * 5/2006 Li et al. D10/113.1
D569,755 S * 5/2008 Humble et al. D10/113.1
7,578,597 B2 * 8/2009 Hoover et al. 362/153.1

(Continued)

Primary Examiner — Clare E Heflin

(74) *Attorney, Agent, or Firm* — Mark R. Malek; Daniel C.
Pierron; Zies Widerman & Malek

(57) **CLAIM**

The ornamental design for a thoroughfare surface light, as
shown and described.

DESCRIPTION

FIG. 1 is a top perspective view of a thoroughfare surface light
according to the present invention.

FIG. 2 is a bottom perspective view of the thoroughfare sur-
face light illustrated in FIG. 1.

FIG. 3 is a side elevation view of the thoroughfare surface
light illustrated in FIG. 1.

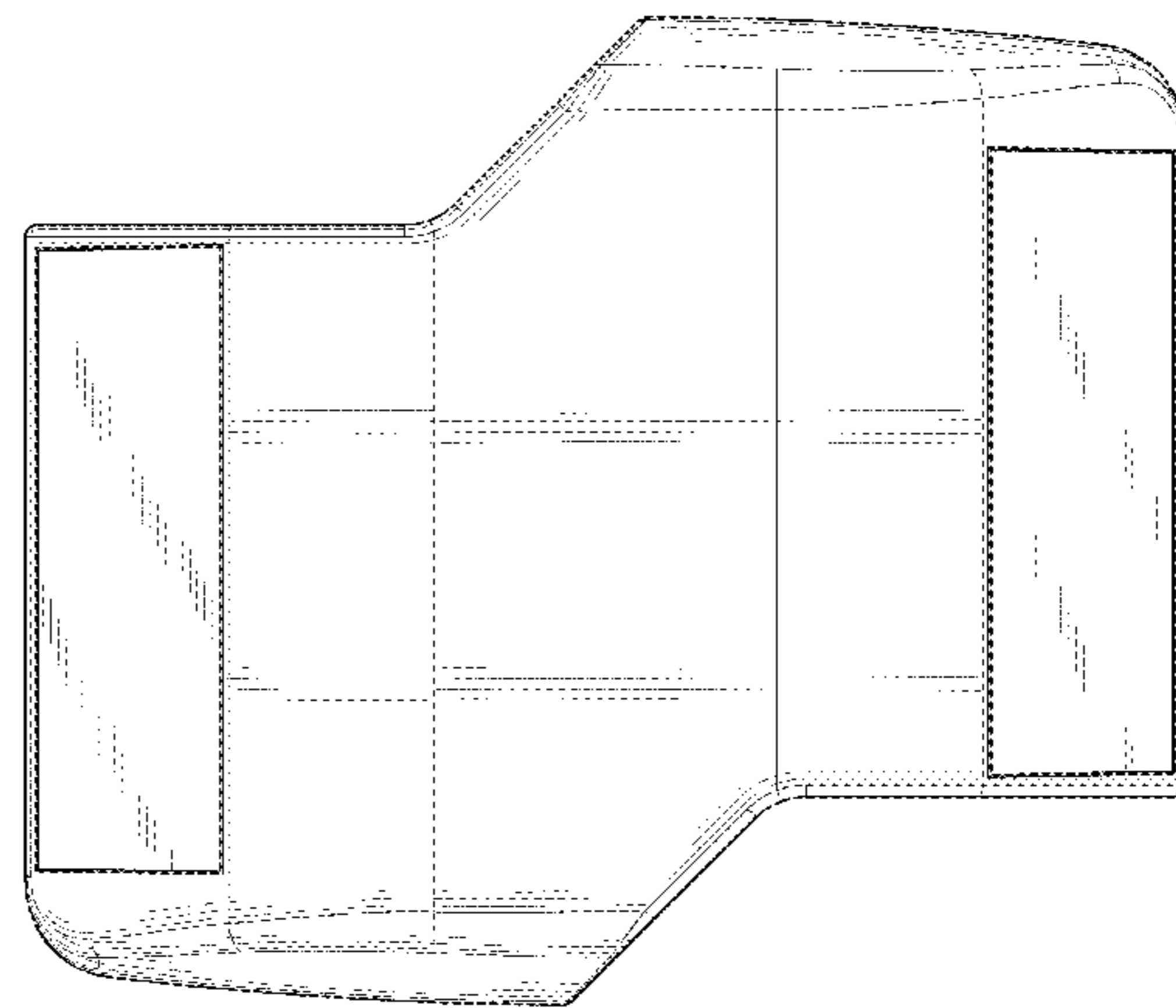
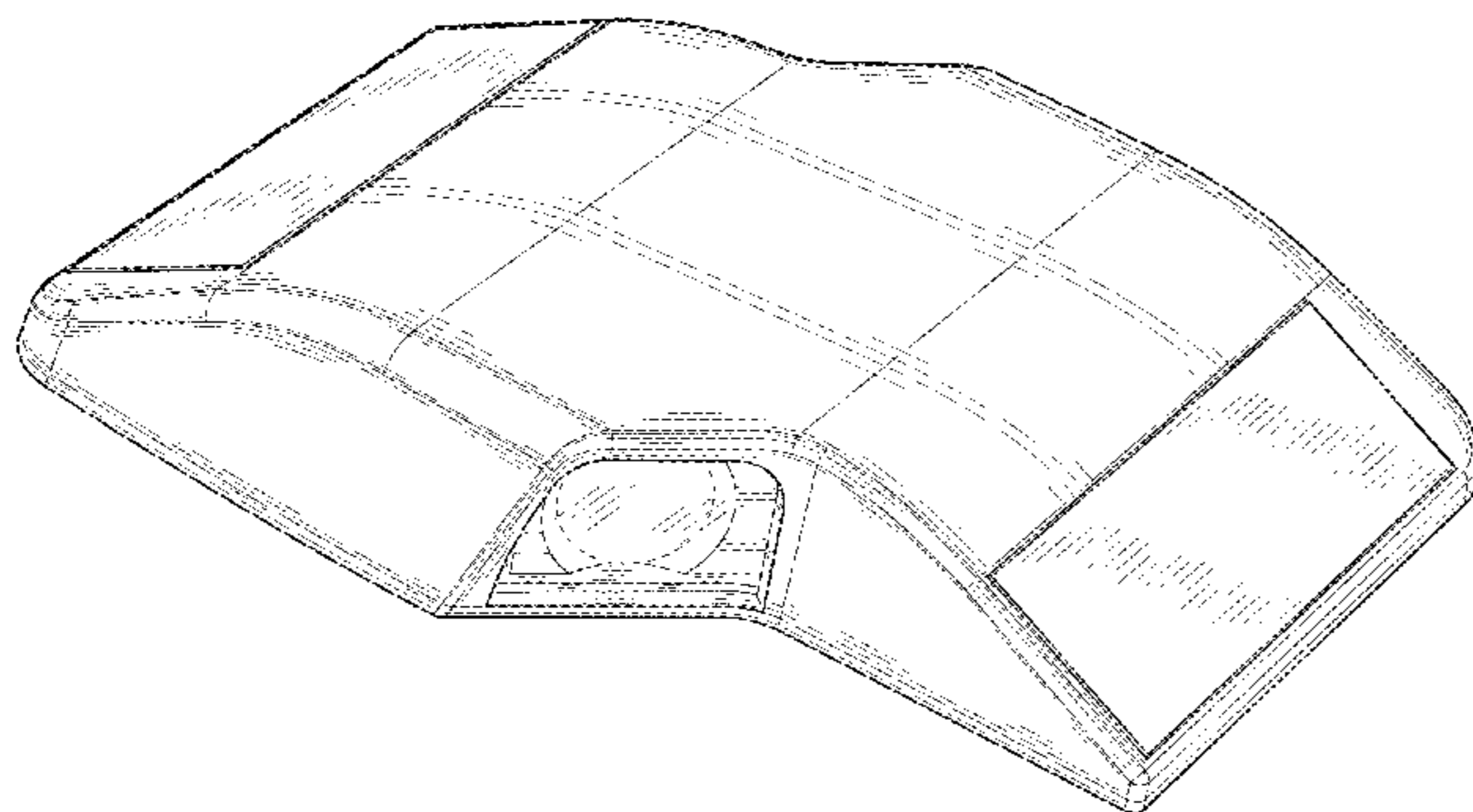
FIG. 4 is a front elevation view of the thoroughfare surface
light illustrated in FIG. 1.

FIG. 5 is a top plan view of the thoroughfare surface light
illustrated in FIG. 1; and,

FIG. 6 is a bottom plan view of the thoroughfare surface light
illustrated in FIG. 1.

The broken lines depict elements of the thoroughfare surface
light that do not form a claimed feature of the present inven-
tion.

1 Claim, 5 Drawing Sheets



US D705,972 S

Page 2

(56)

References Cited

U.S. PATENT DOCUMENTS

D678,099 S * 3/2013 Lee D10/113.1
2005/0025570 A1* 2/2005 Snigel 404/16

8,328,463 B2 * 12/2012 Dudley et al. 404/16 * cited by examiner

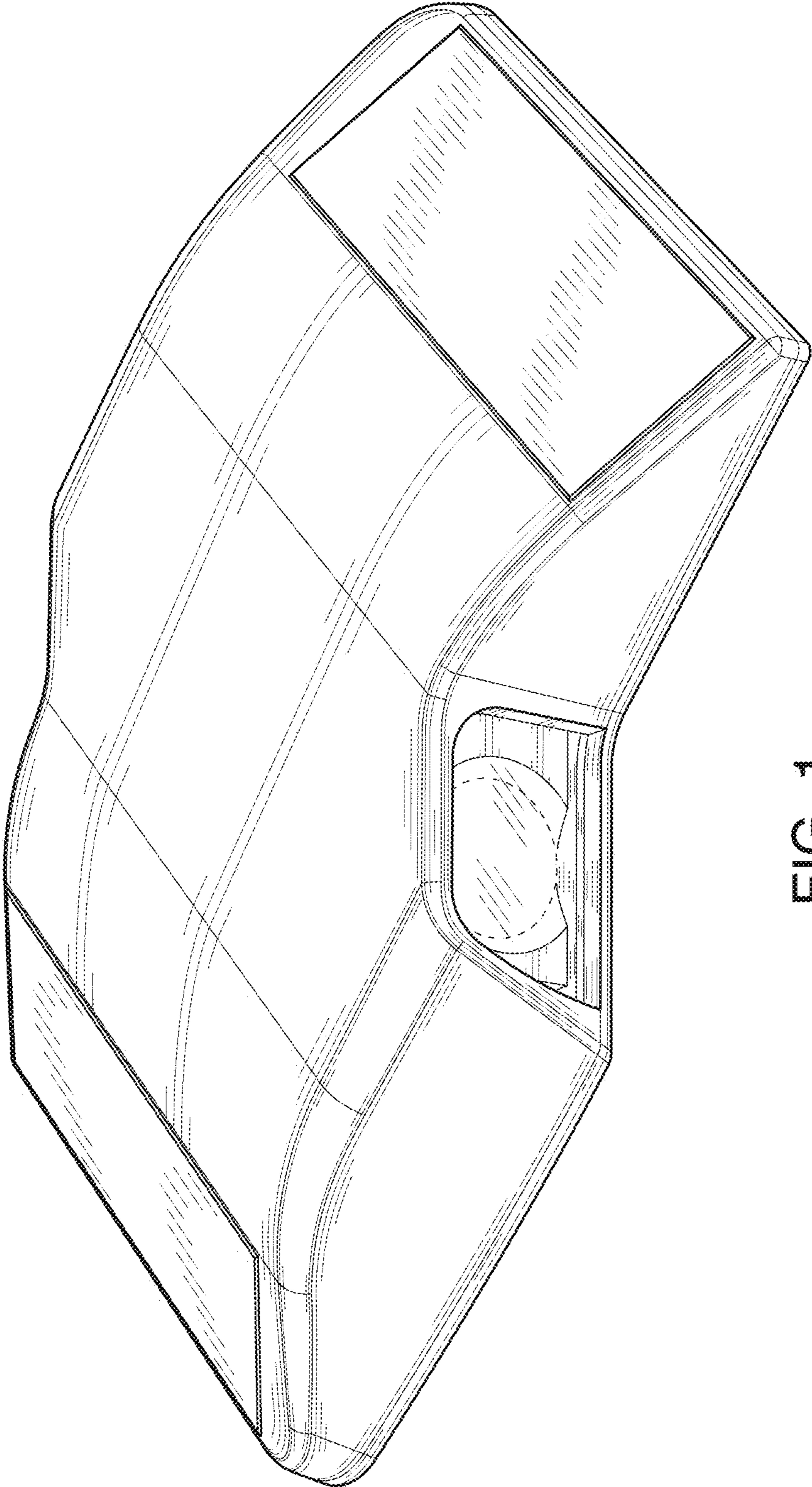


FIG. 1

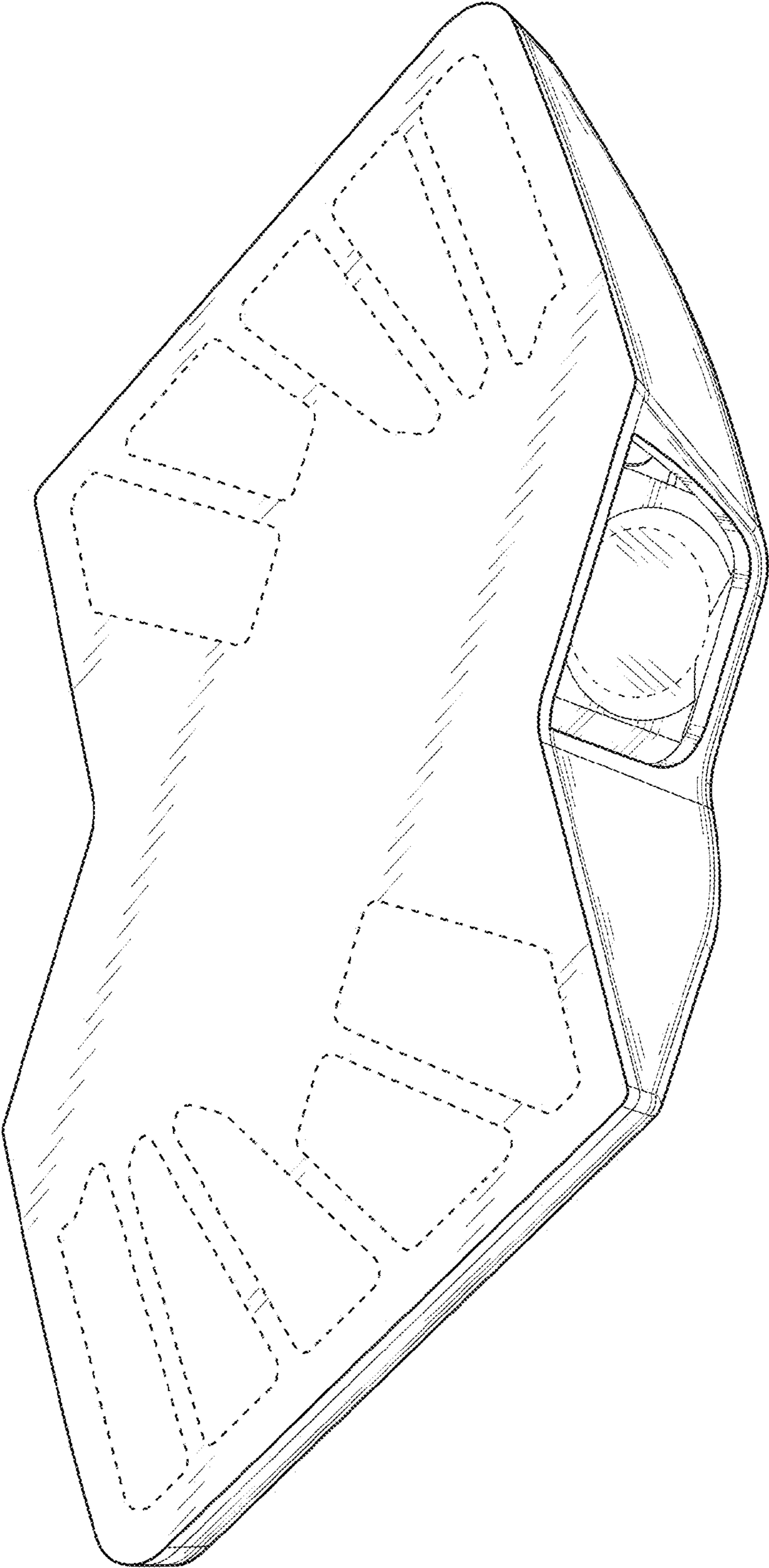


FIG. 2

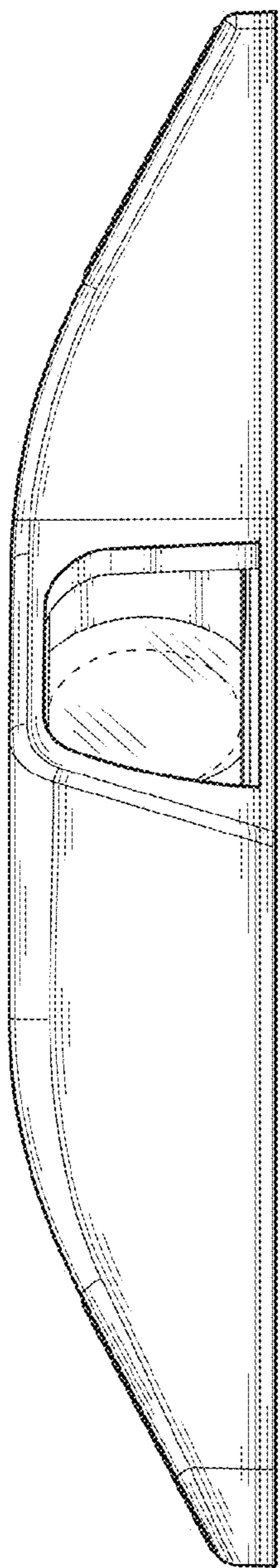


FIG. 3

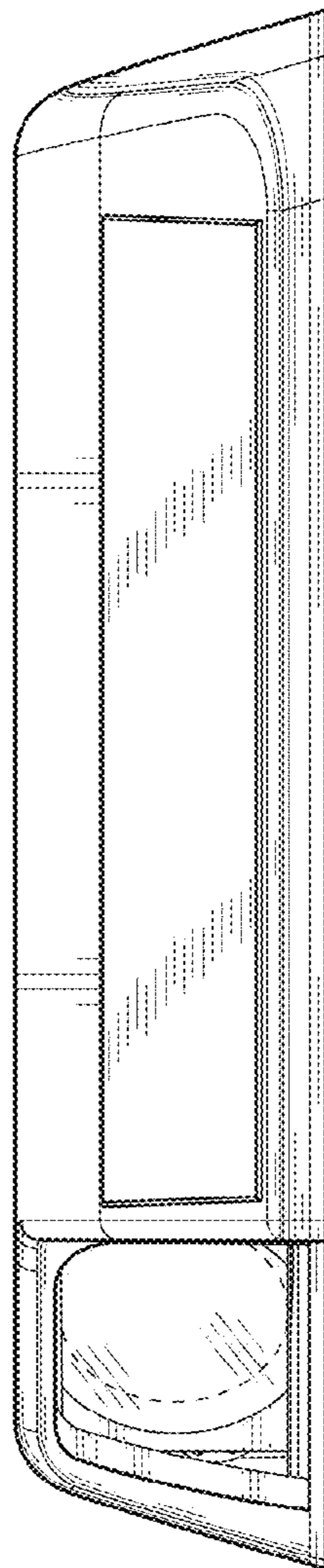


FIG. 4

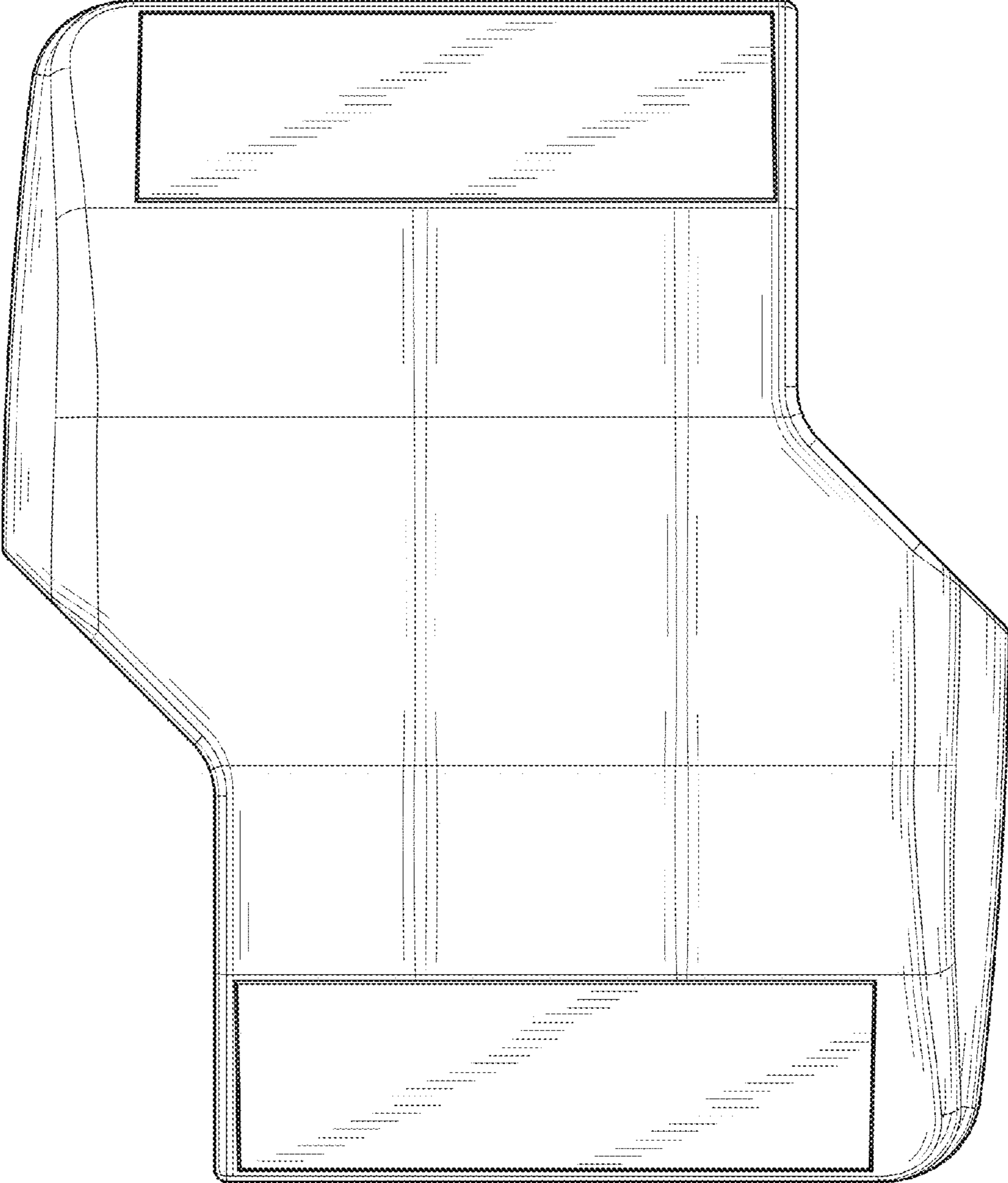


FIG. 5

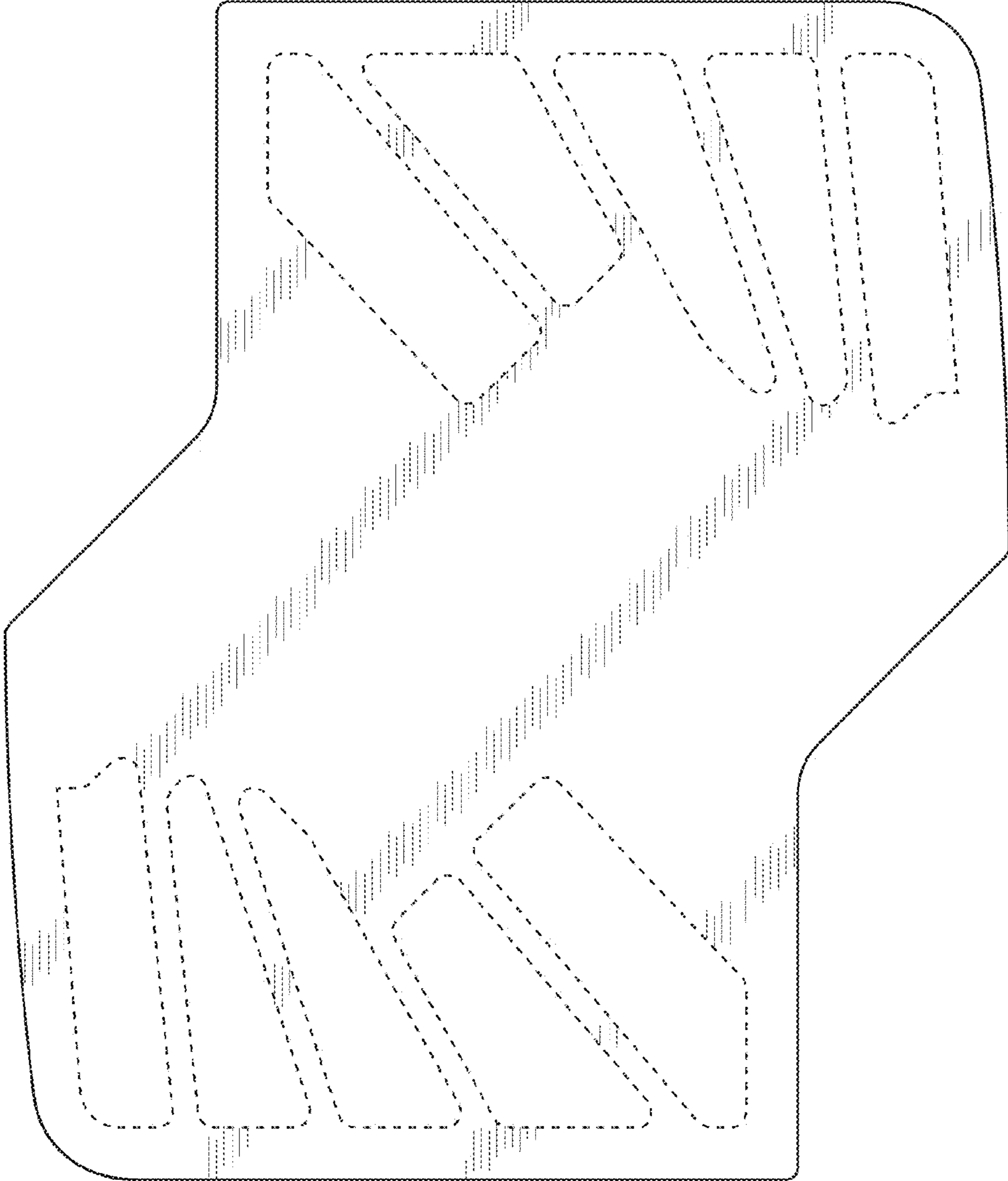


FIG. 6