



US00D705970S

(12) **United States Design Patent**
Ertze

(10) **Patent No.:** **US D705,970 S**

(45) **Date of Patent:** **** May 27, 2014**

(54) **CEILING FAN MOTOR HOUSING AND LIGHT KIT**

(75) Inventor: **Pablo J. Ertze**, Fontana, CA (US)

(73) Assignee: **Air Cool Industrial Co., Ltd.**, Taichung (TW)

(**) Term: **14 Years**

(21) Appl. No.: **29/426,121**

(22) Filed: **Jun. 29, 2012**

(51) **LOC (10) Cl.** **26-05**

(52) **U.S. Cl.**
USPC **D26/59**

(58) **Field of Classification Search**
USPC D26/59, 377, 80, 87, 83, 92, 86, 40, 67,
D26/63, 89, 73, 129; D23/385, 379, 377,
D23/411; 416/5; 392/364, 361, 362;
417/423.14, 423.15, 423.3; 362/96,
362/294, 364; 310/157; 29/596, 597
See application file for complete search history.

(56) **References Cited**

U.S. PATENT DOCUMENTS

4,862,581	A	*	9/1989	Royer	29/596
D328,785	S	*	8/1992	Markwardt	D23/377
D329,087	S	*	9/1992	Markwardt	D23/377
D394,103	S	*	5/1998	Lee	D23/411
D413,378	S	*	8/1999	Zuege	D23/377
D414,856	S	*	10/1999	Zuege	D23/377

D414,857	S	*	10/1999	Zuege	D23/377
D419,660	S	*	1/2000	Zuege	D23/377
D536,439	S	*	2/2007	Pickett	D23/411
D627,053	S	*	11/2010	Pan	D23/411
D627,869	S	*	11/2010	Pan	D23/377
D632,384	S	*	2/2011	Pan	D23/411
D671,203	S	*	11/2012	Wang	D23/377
D671,631	S	*	11/2012	Searle	D23/411
D678,499	S	*	3/2013	Pan	D23/411
2005/0214145	A1	*	9/2005	Grinbergs	417/423.14

* cited by examiner

Primary Examiner — Eric Goodman

Assistant Examiner — Ryan Harvey

(74) *Attorney, Agent, or Firm* — Ming Chow; Sinorica, LLC

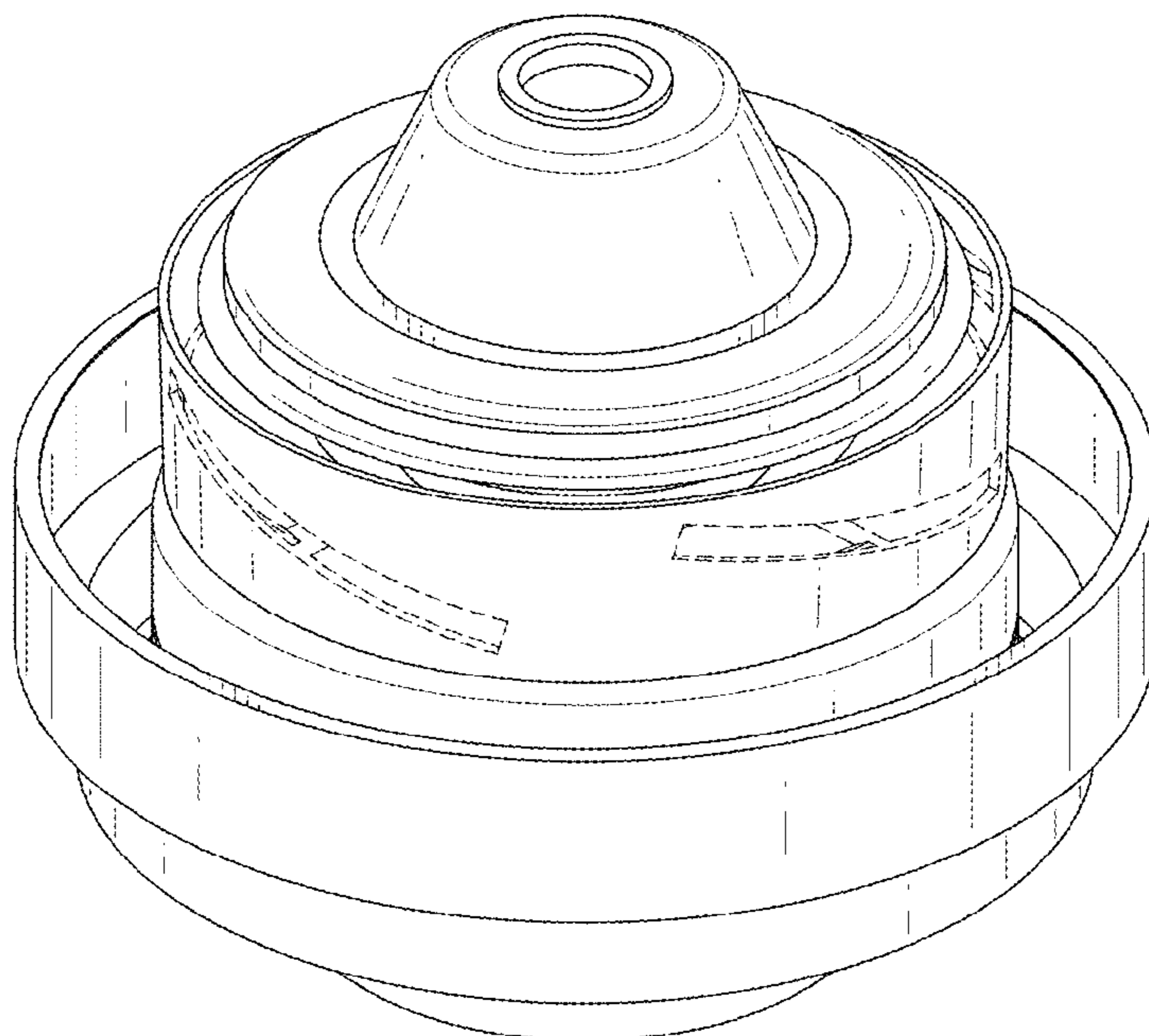
(57) **CLAIM**

I claim the ornamental design for a ceiling fan motor housing and light kit, as shown and described.

DESCRIPTION

FIG. 1 is a front perspective view of a ceiling fan motor housing and light kit showing my new design; FIG. 2 is a front elevational view thereof; FIG. 3 is a rear elevational view thereof; FIG. 4 is a left side elevational view thereof; FIG. 5 is a right side elevational view thereof; FIG. 6 is a top plan view thereof; and, FIG. 7 is a bottom plan view thereof. The broken line showing is included for the purpose of illustrating portions of the article and forms no part of the claimed design.

1 Claim, 5 Drawing Sheets



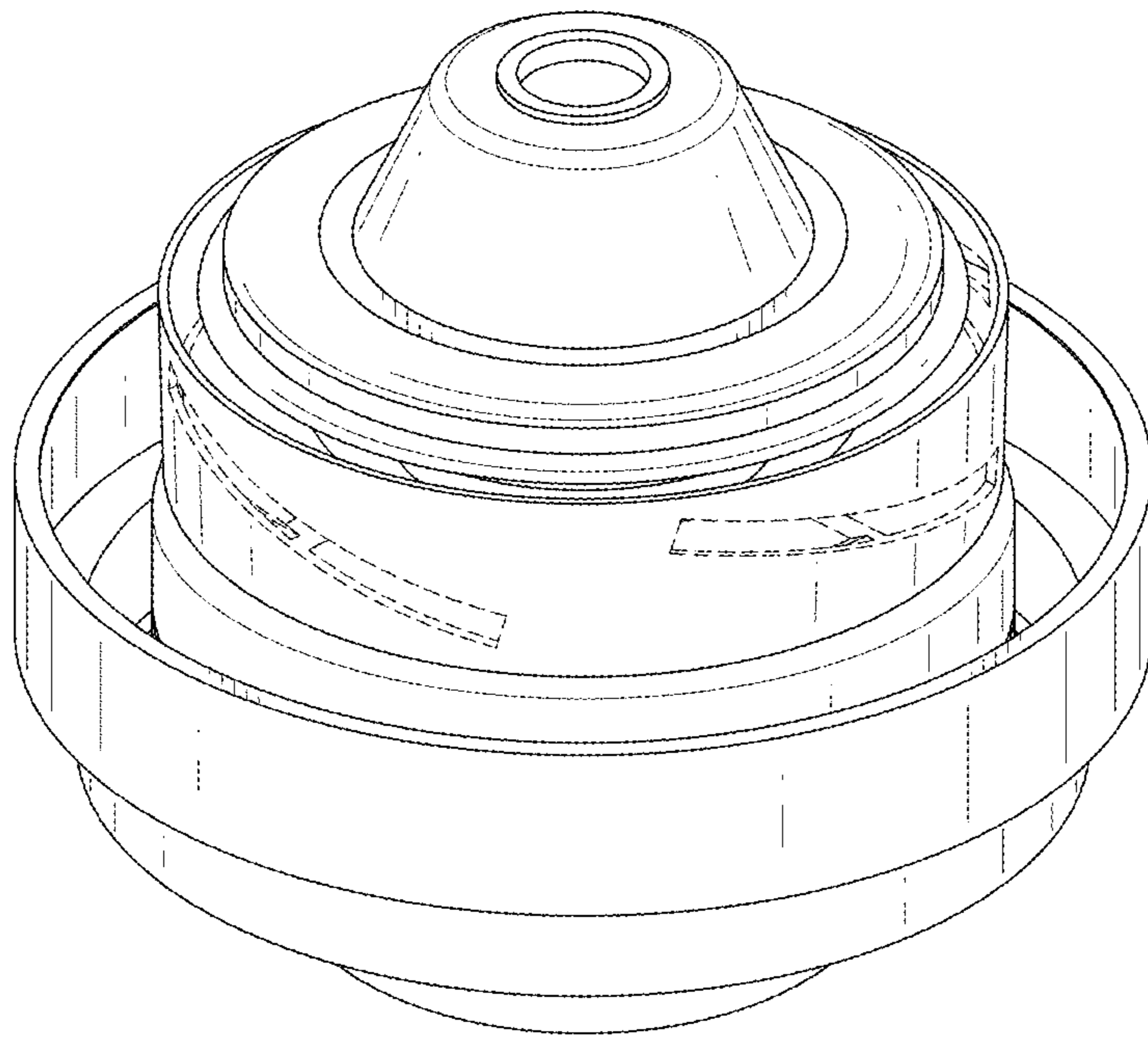


FIG. 1

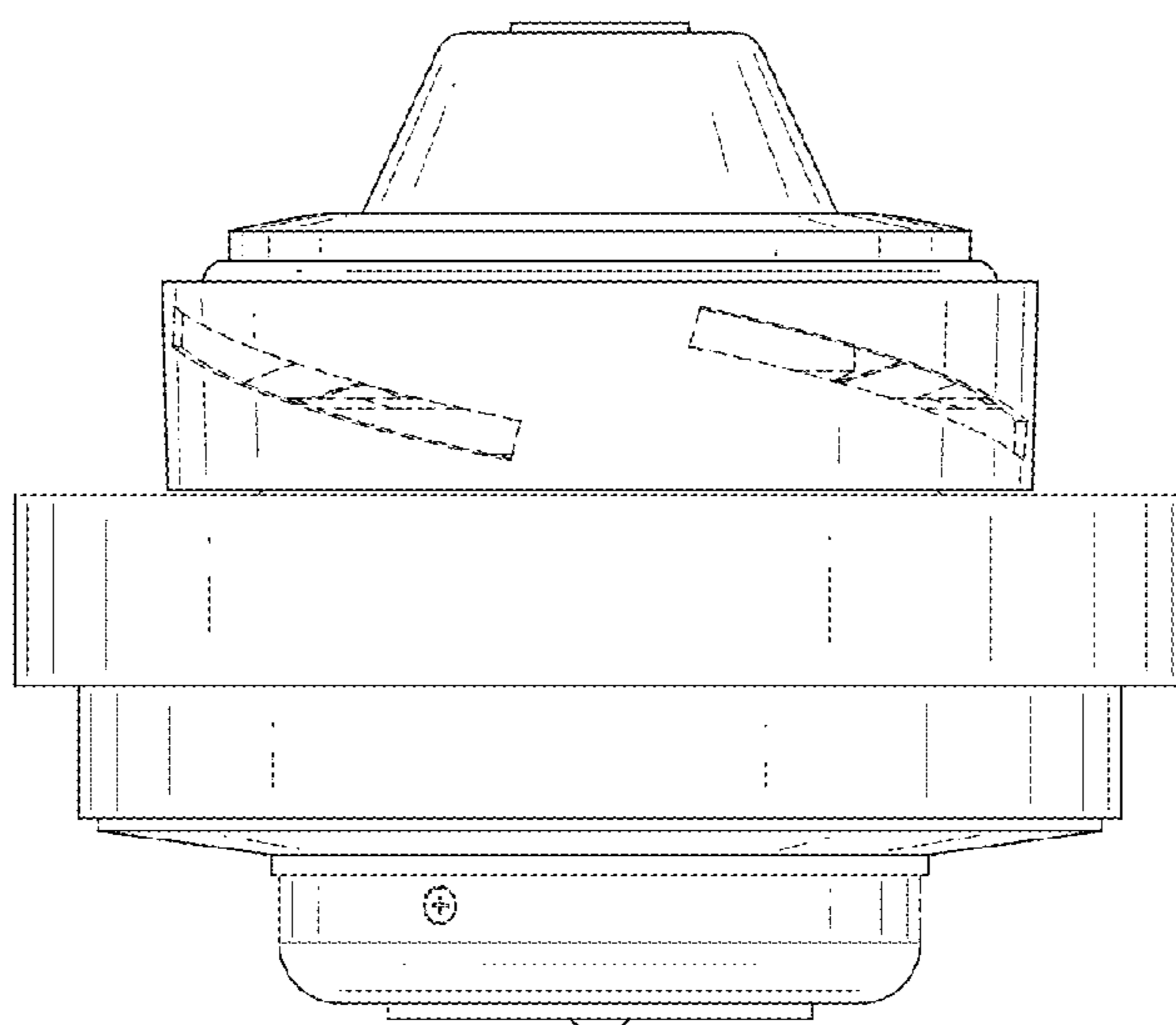


FIG. 2

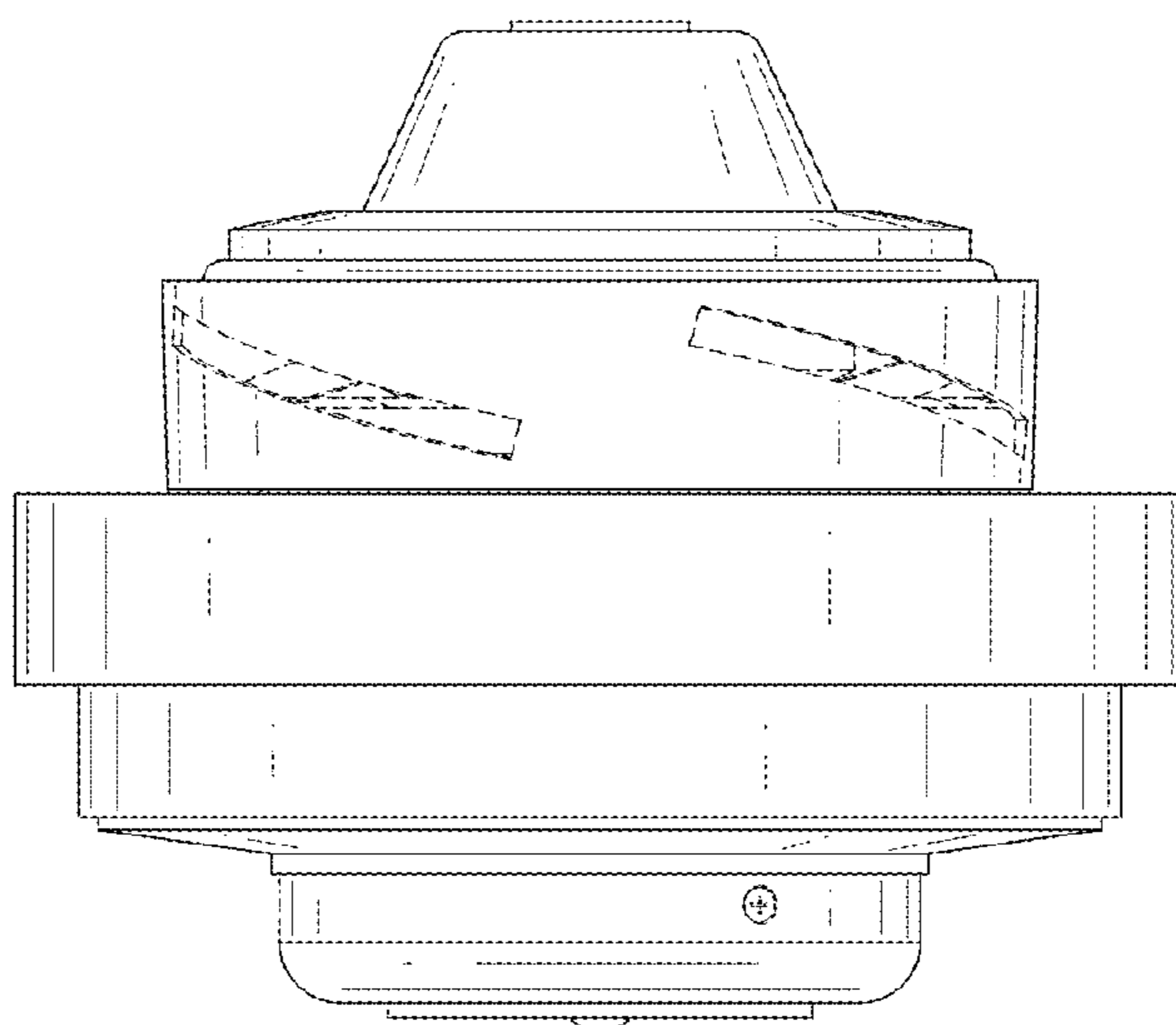


FIG. 3

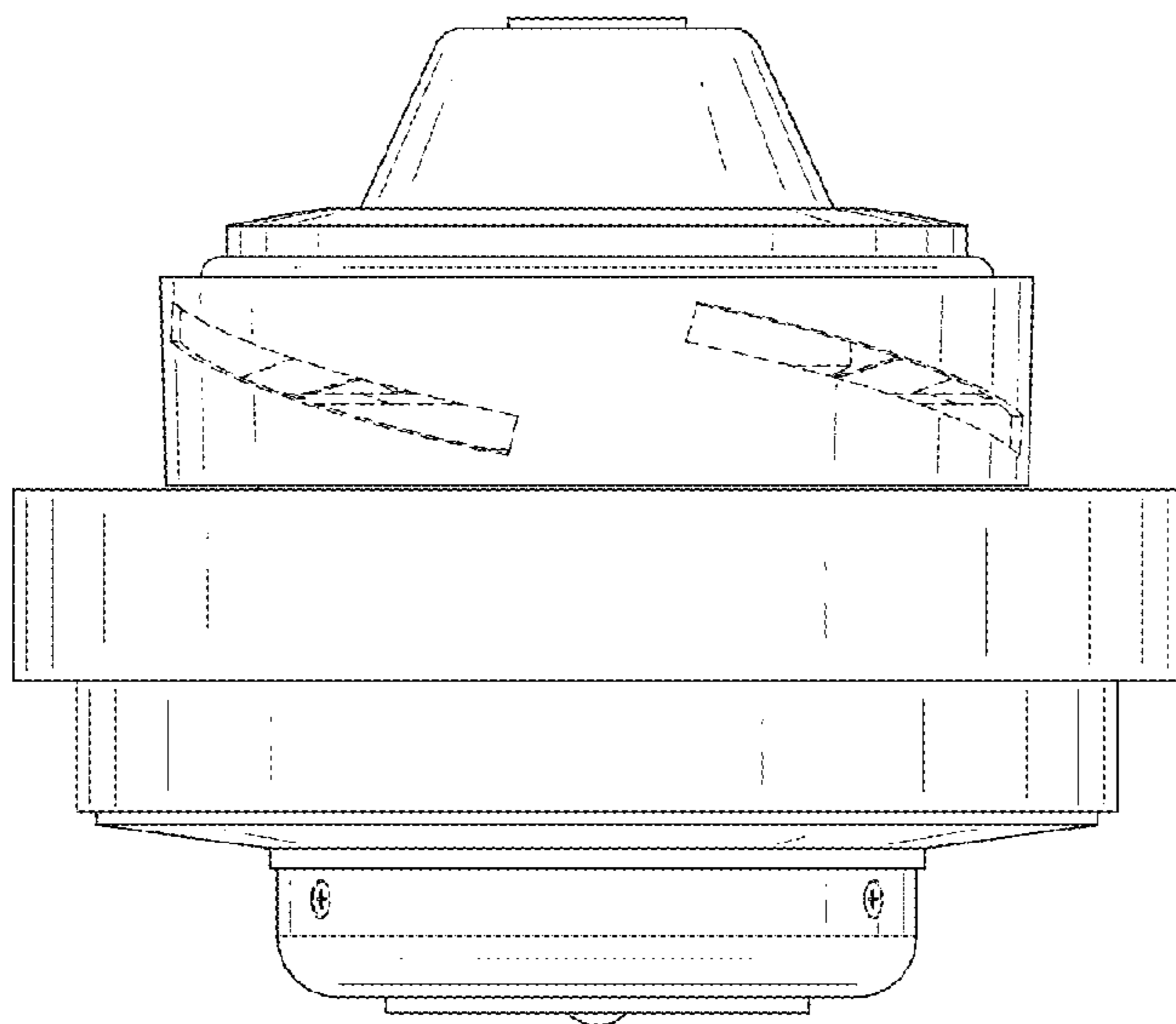


FIG. 4

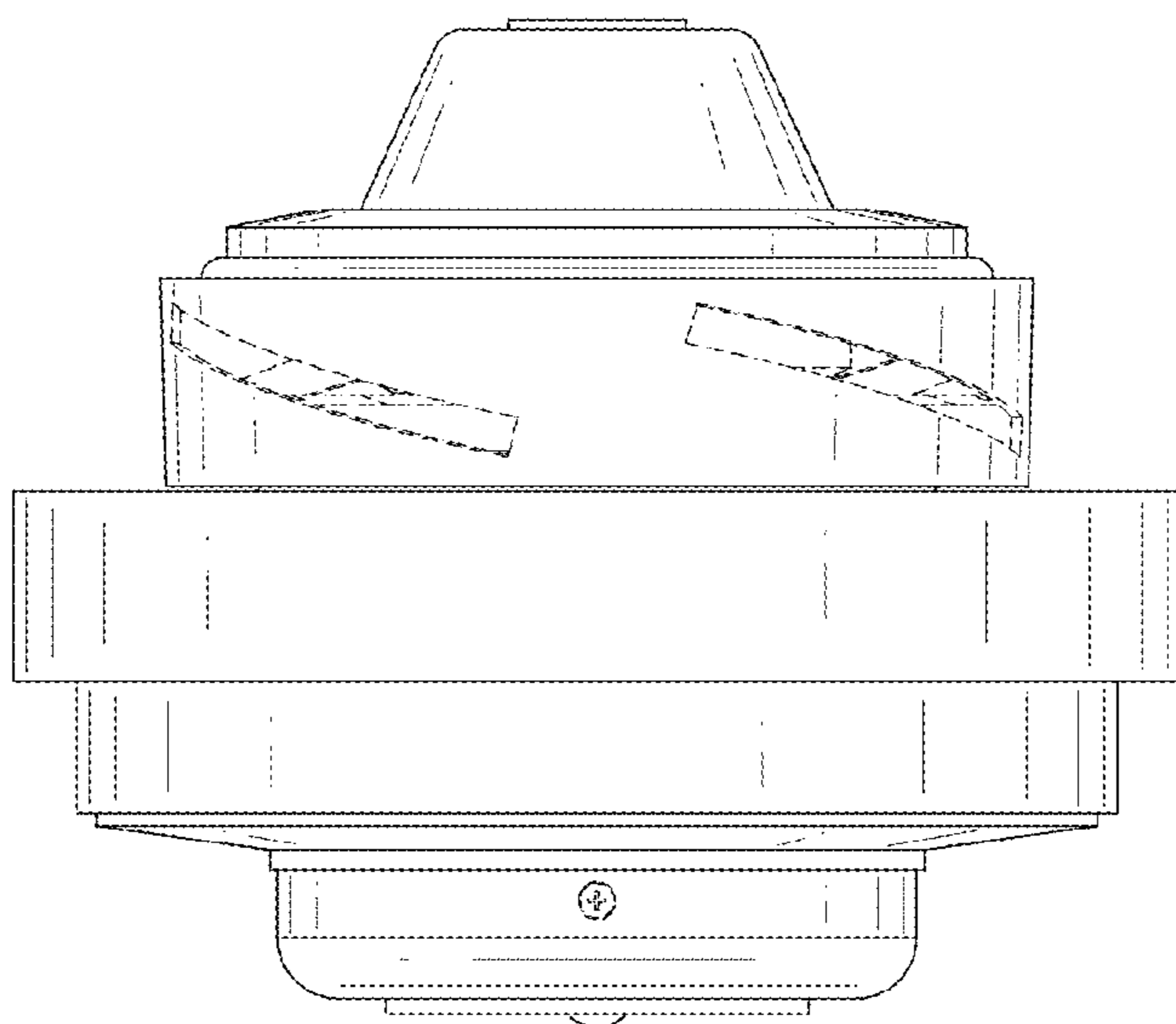


FIG. 5

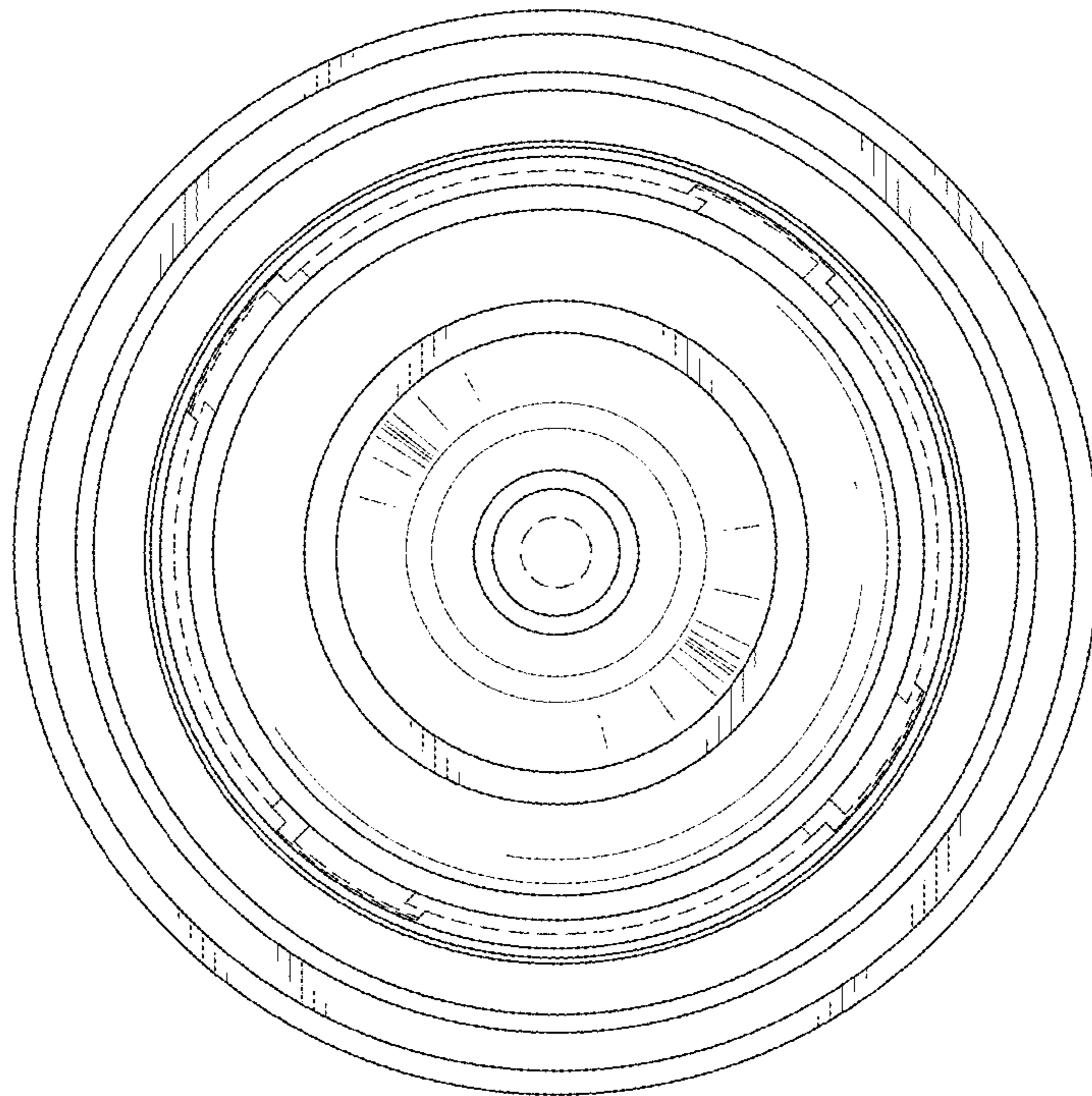


FIG. 6

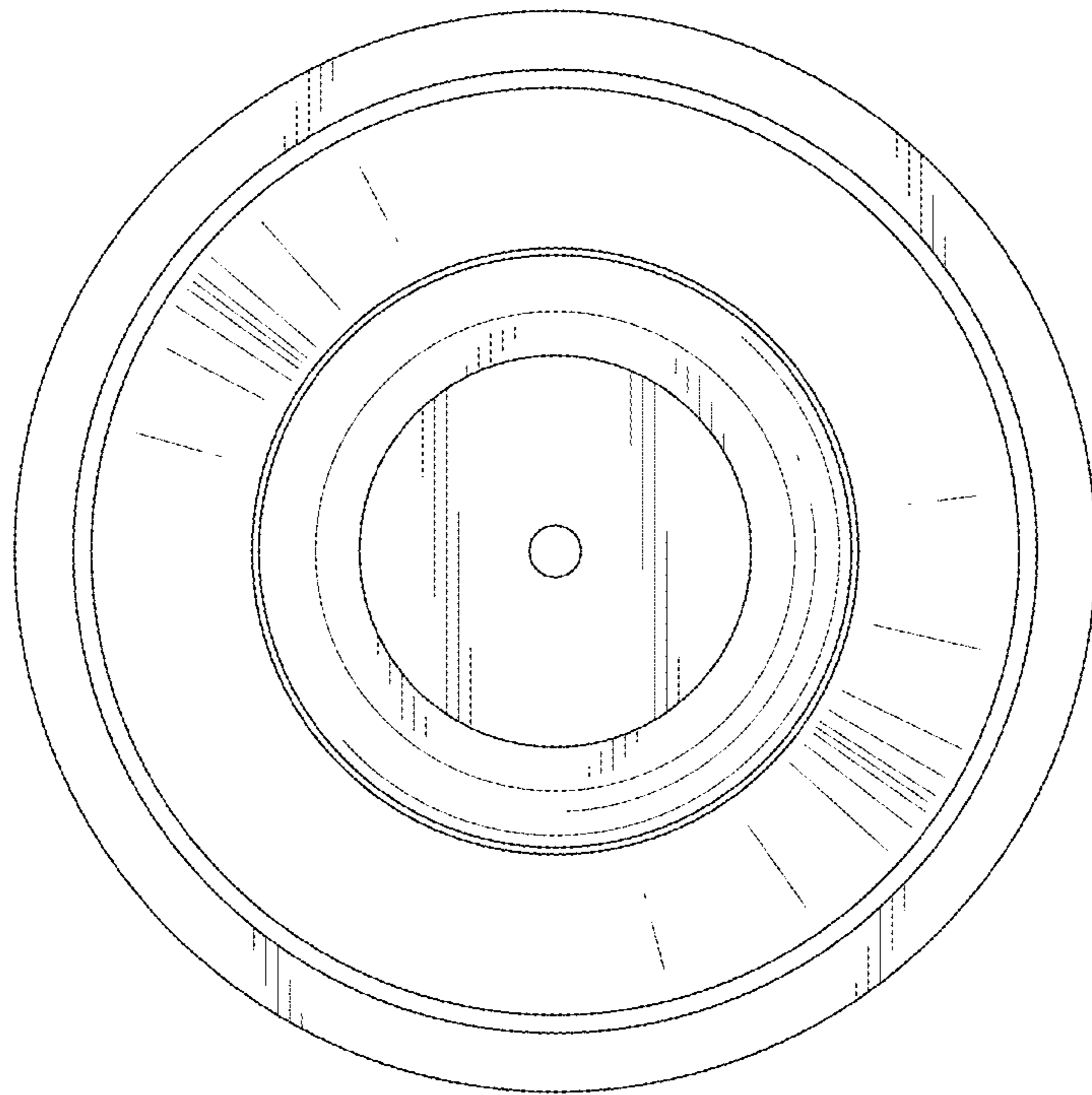


FIG. 7