



US00D705962S

(12) **United States Design Patent**
Hildebrand et al.

(10) **Patent No.:** **US D705,962 S**

(45) **Date of Patent:** **** May 27, 2014**

(54) **VEHICLE REAR LIGHT**

(75) Inventors: **Gert Volker Hildebrand**, Munich (DE);
Philipp Eberl, Graz (AT)

(73) Assignee: **Qoros Automotive Co., Ltd.**, Changshu,
Jiangsu Province (CN)

(**) Term: **14 Years**

(21) Appl. No.: **29/419,635**

(22) Filed: **Apr. 30, 2012**

(30) **Foreign Application Priority Data**

Nov. 9, 2011 (CN) 2011 3 0431844

(51) **LOC (10) Cl.** **26-06**

(52) **U.S. Cl.**
USPC **D26/28**

(58) **Field of Classification Search**
USPC D26/28-36; 362/459-468, 475-478,
362/485-487

See application file for complete search history.

(56) **References Cited**

U.S. PATENT DOCUMENTS

| | | | | |
|--------------|---------|-----------------|-------|--------|
| D541,445 S * | 4/2007 | Lin | | D26/28 |
| D549,363 S * | 8/2007 | Pfeiffer | | D26/28 |
| D552,769 S * | 10/2007 | Leclercq | | D26/28 |
| D553,269 S * | 10/2007 | Pfeiffer et al. | | D26/28 |
| D570,015 S * | 5/2008 | Hsu | | D26/28 |
| D574,524 S * | 8/2008 | Tomatsu | | D26/28 |
| D605,793 S * | 12/2009 | Weil | | D26/28 |

* cited by examiner

Primary Examiner — Marcus Jackson

(57) **CLAIM**

The ornamental design for a vehicle rear light, as shown and described.

DESCRIPTION

FIG. 1 is a front view of a vehicle rear light.
FIG. 2 is a rear view of the vehicle rear light of FIG. 1.
FIG. 3 is a left side view of the vehicle rear light of FIG. 1.
FIG. 4 is a right side view of the vehicle rear light of FIG. 1.
FIG. 5 is a top view of the vehicle rear light of FIG. 1.
FIG. 6 is a bottom view of the vehicle rear light of FIG. 1.
FIG. 7 is a front right perspective view of the vehicle rear light of FIG. 1; and,
FIG. 8 is a front left perspective view of the vehicle rear light of FIG. 1.

1 Claim, 8 Drawing Sheets

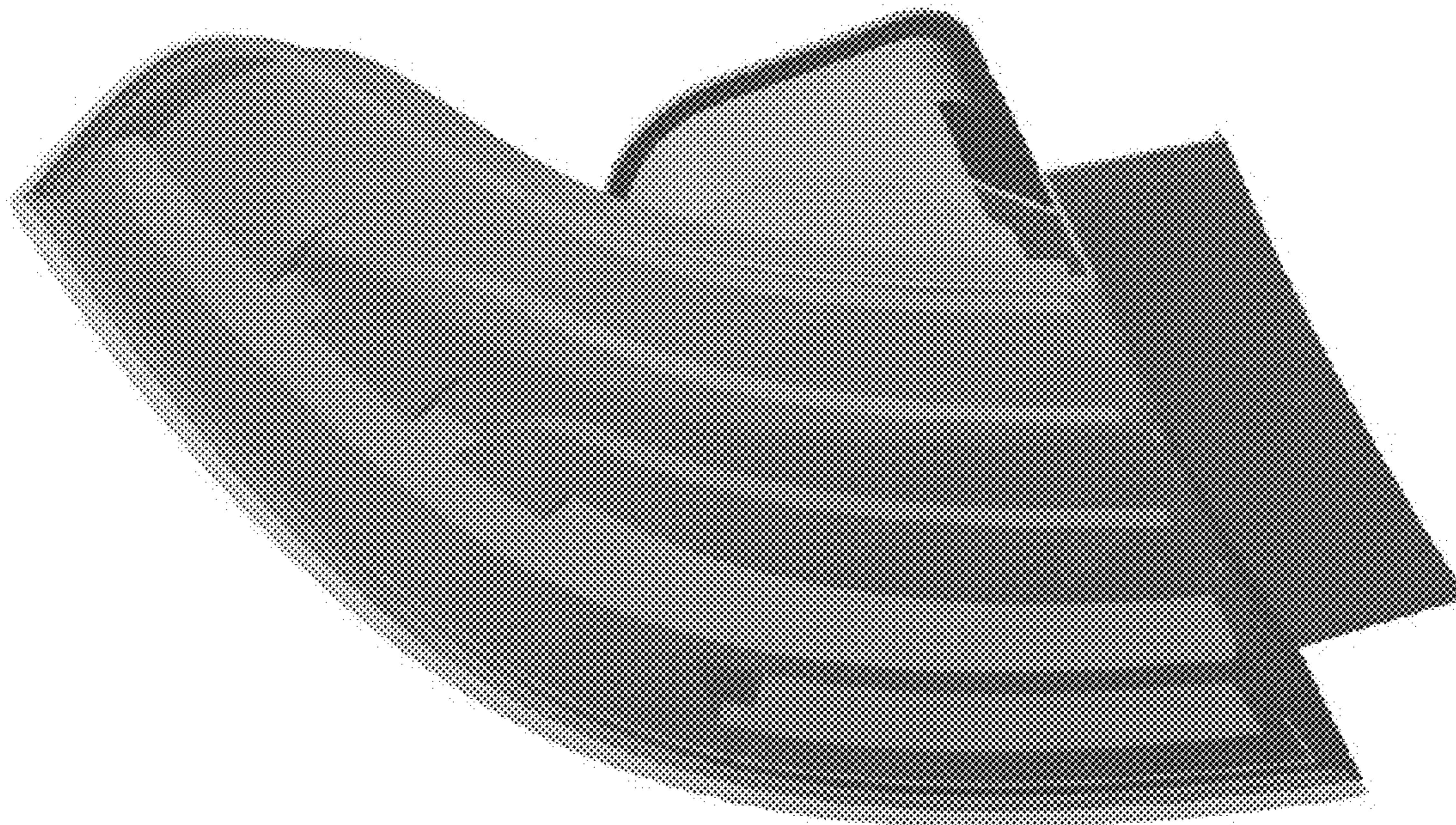


FIG. 1

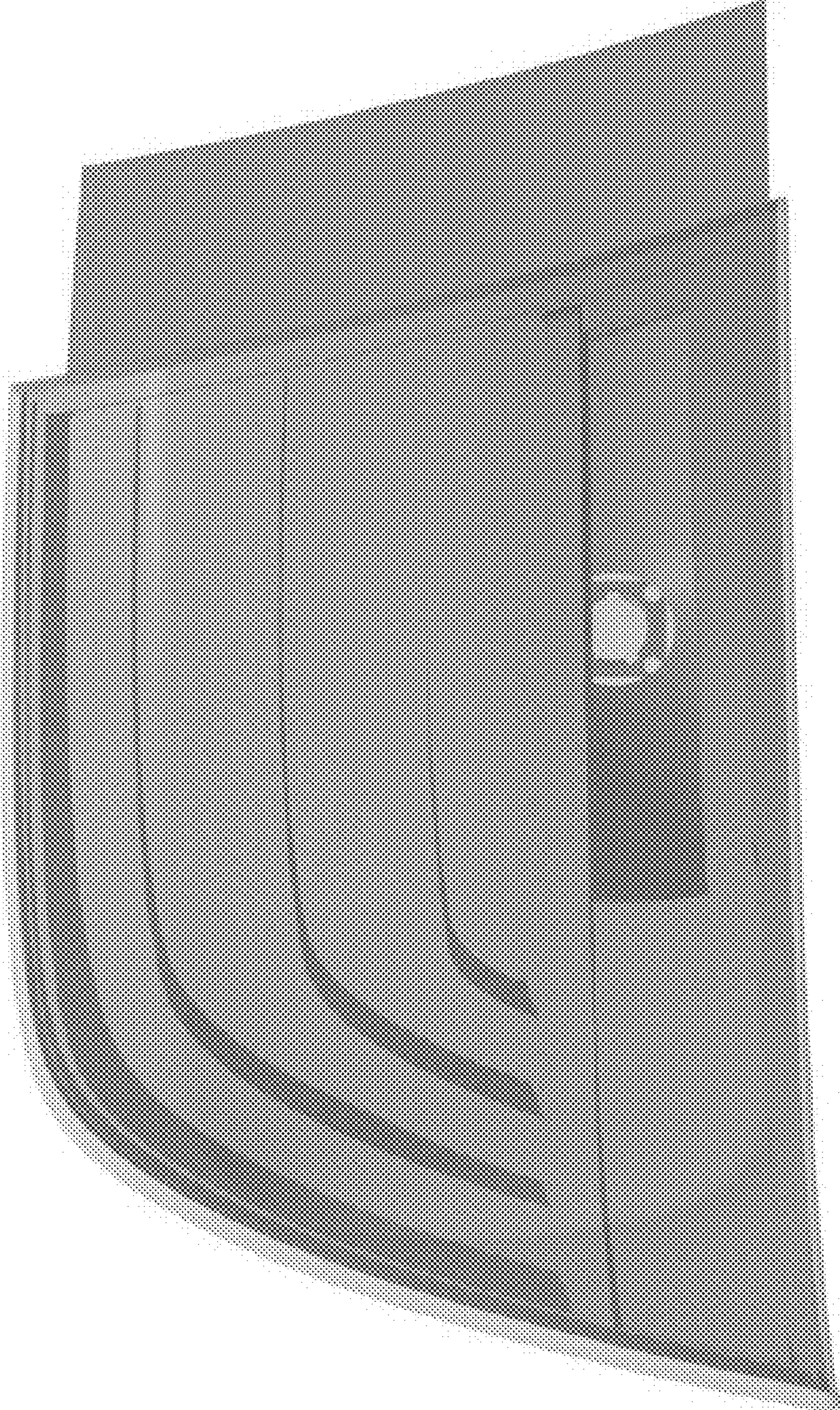
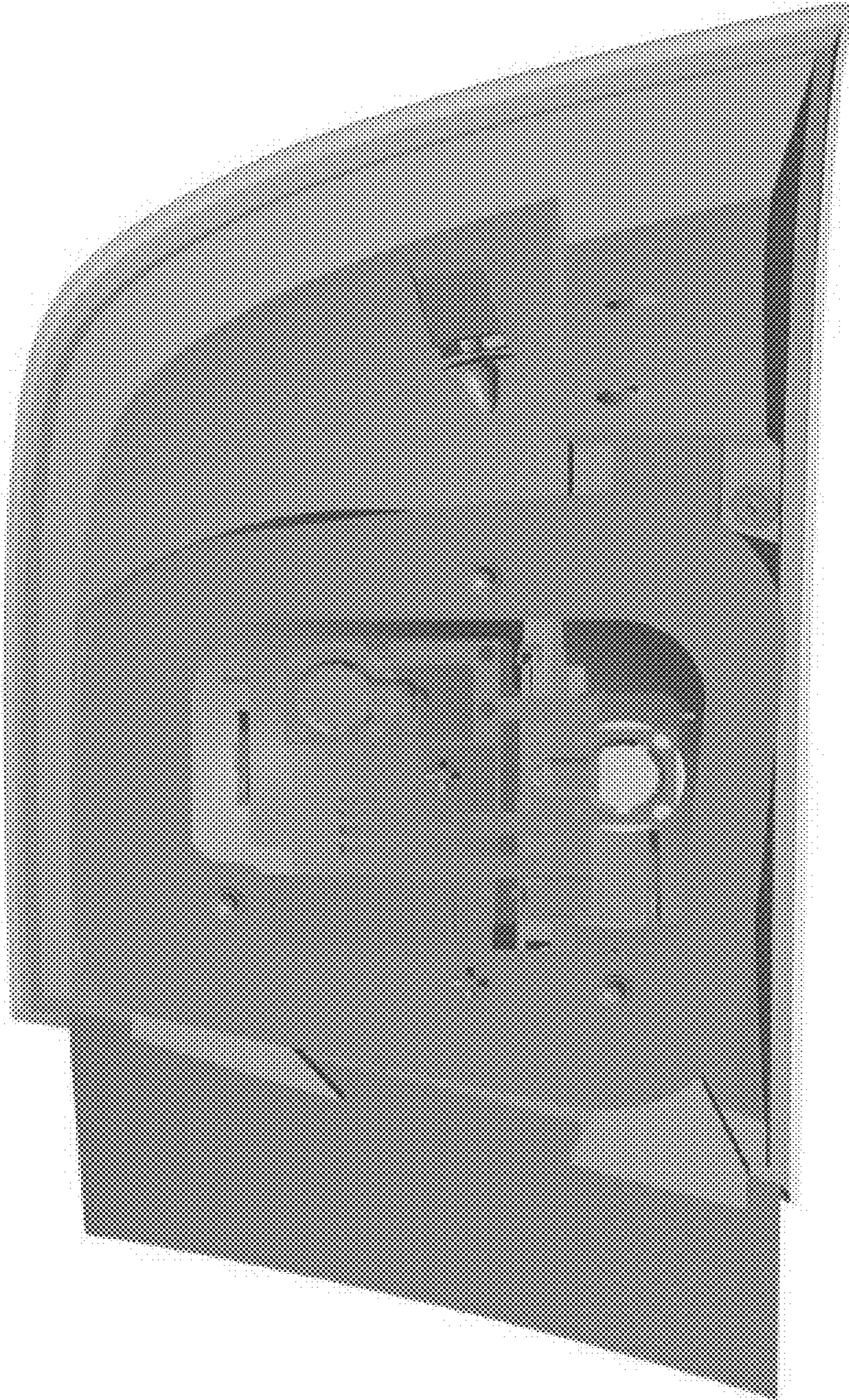


FIG. 2



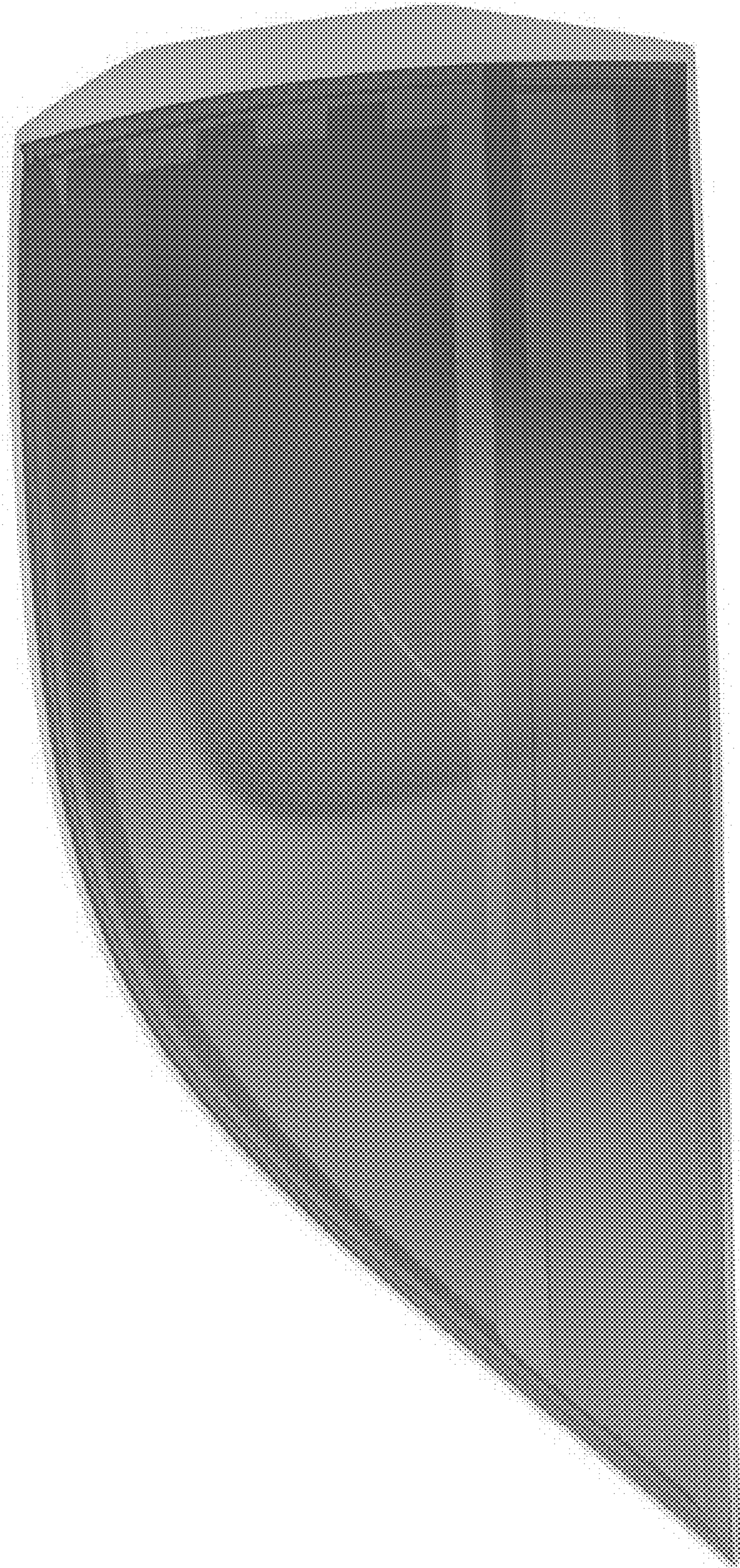
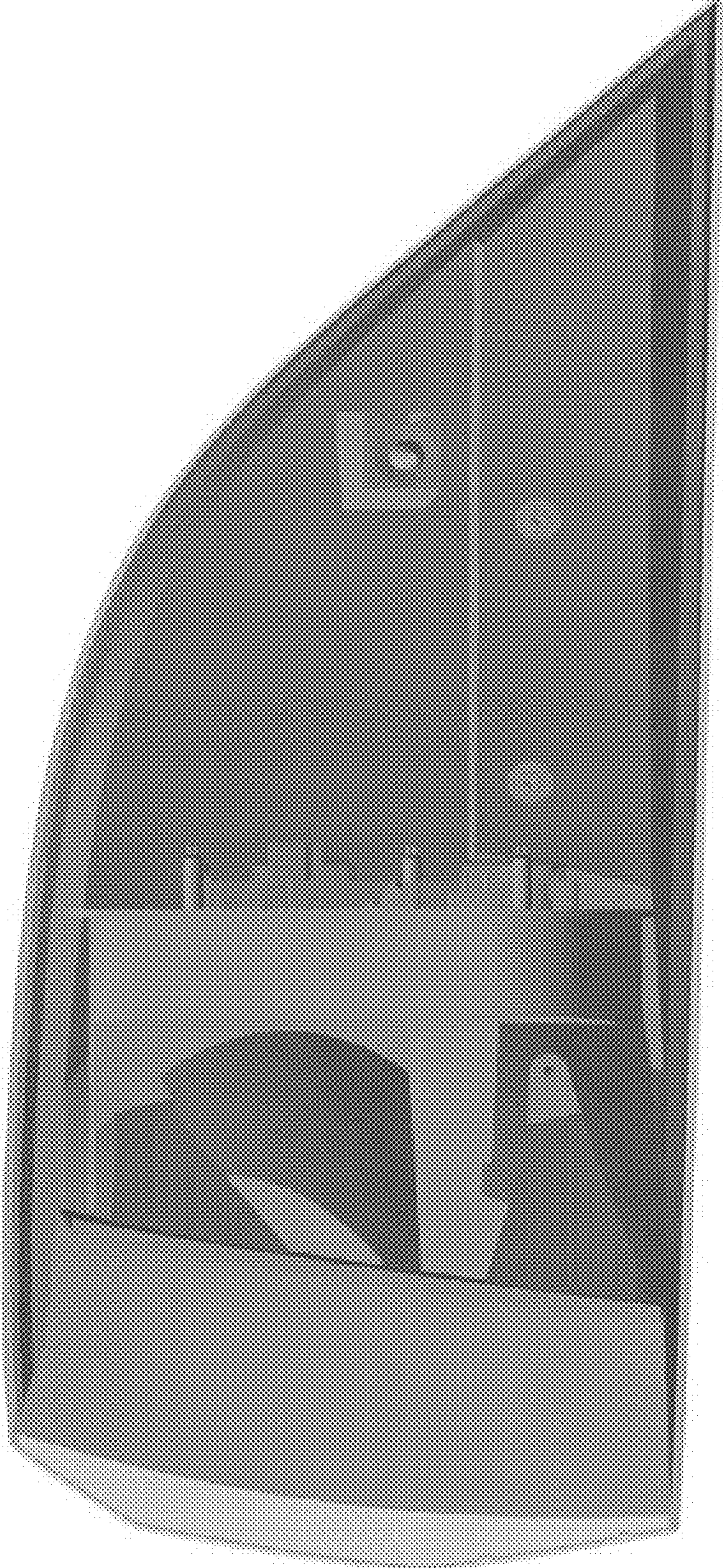


FIG. 3

FIG. 4



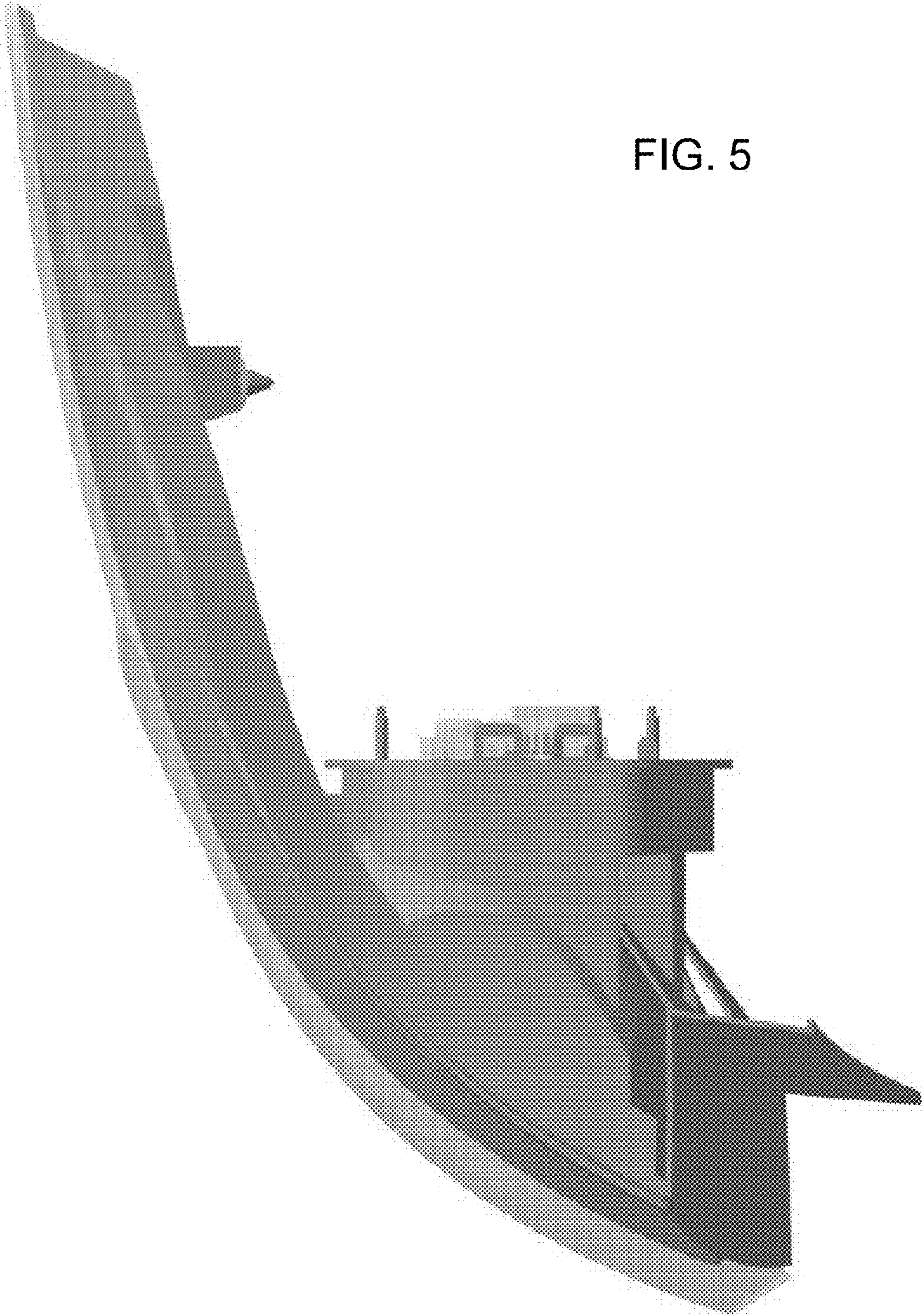


FIG. 5

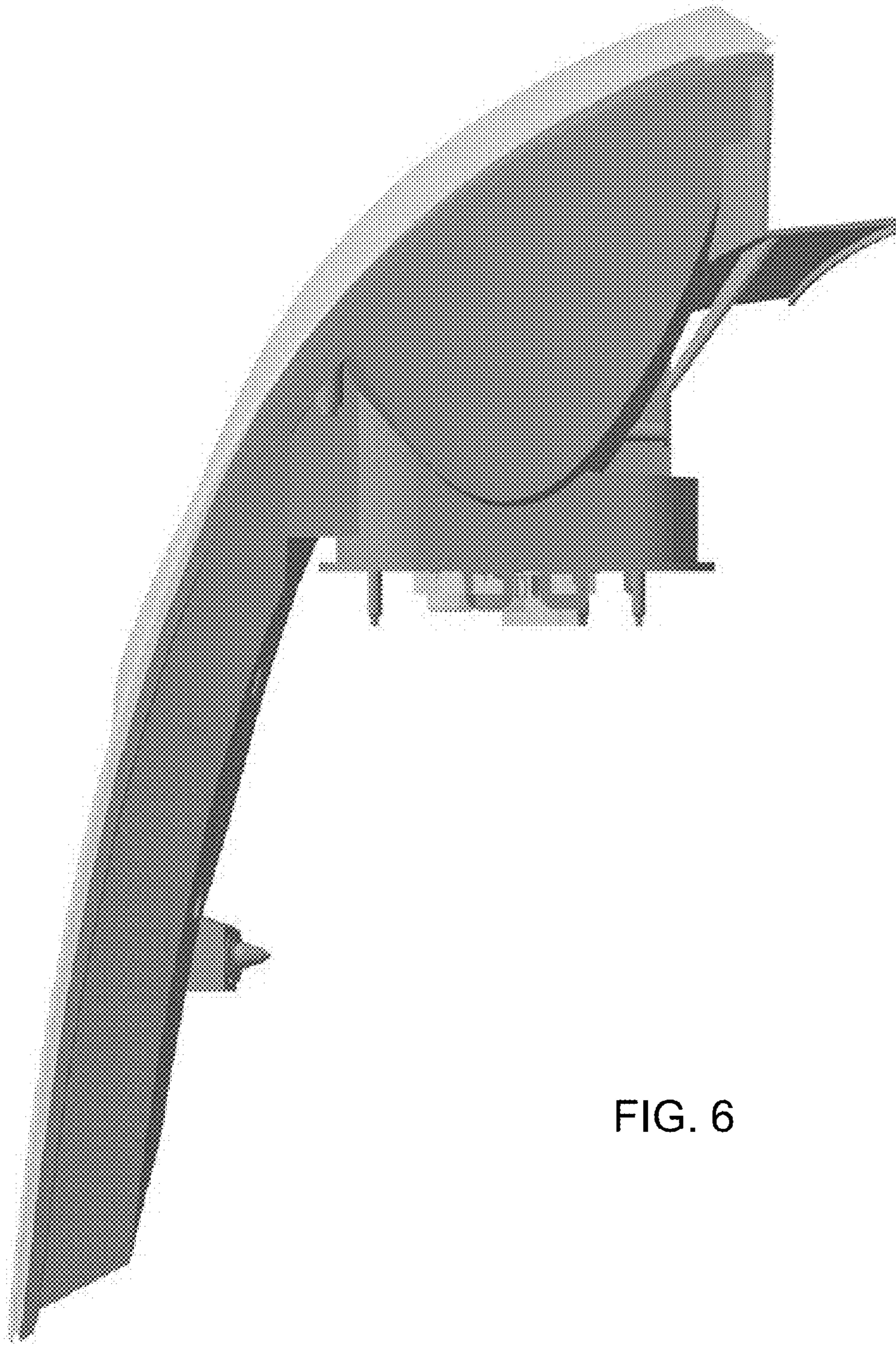


FIG. 6

FIG. 7

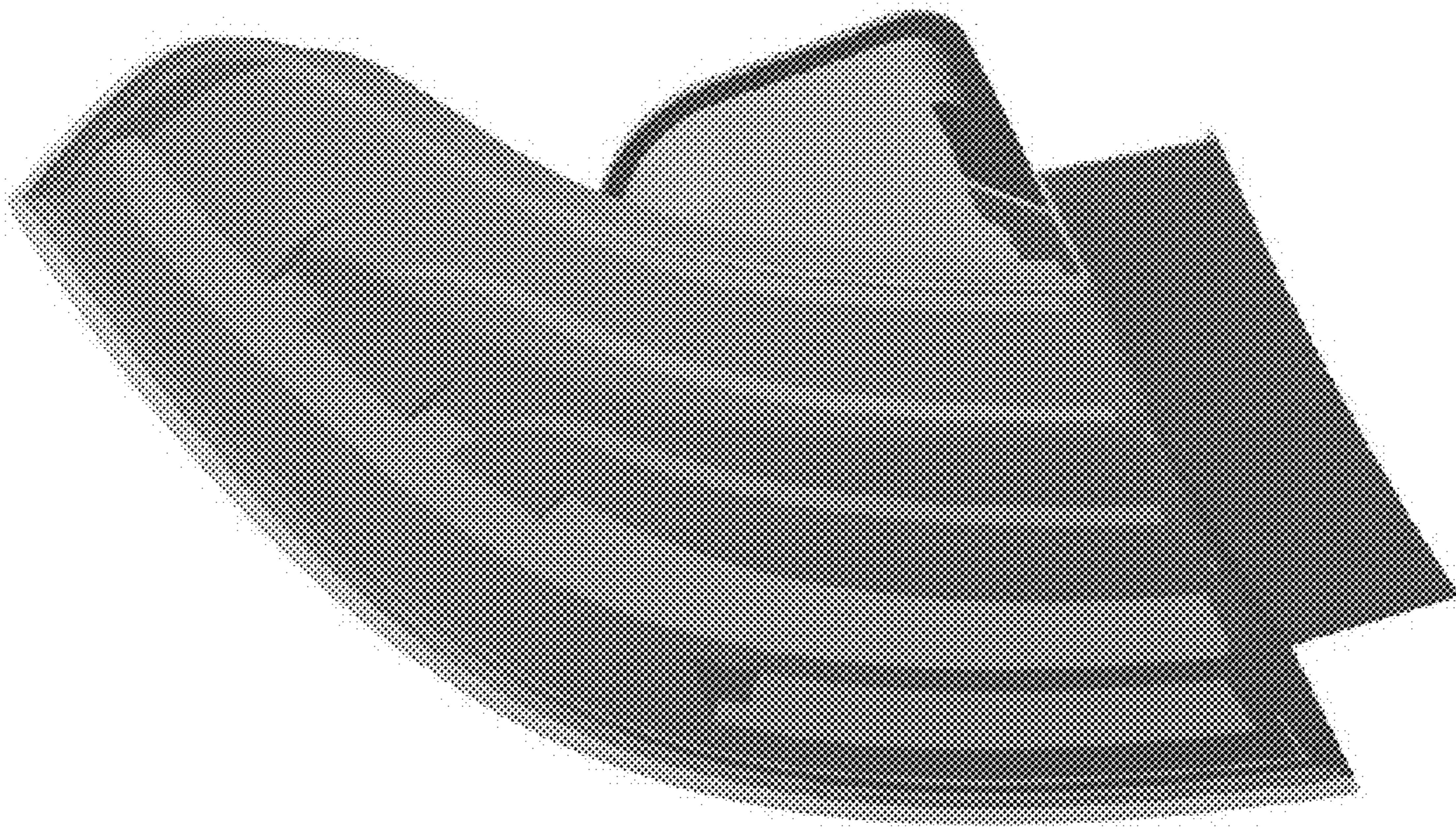


FIG. 8

