

US00D705961S

(12) **United States Design Patent**  
**Hildebrand et al.**

(10) **Patent No.:** **US D705,961 S**  
(45) **Date of Patent:** **\*\* May 27, 2014**

(54) **VEHICLE HEADLIGHT**

(75) Inventors: **Gert Volker Hildebrand**, Munich (DE);  
**Philipp Eberl**, Graz (AT)

(73) Assignee: **Qoros Automotive Co., Ltd.**, Changshu,  
Jiangsu Province (CN)

(\*\*) Term: **14 Years**

(21) Appl. No.: **29/419,633**

(22) Filed: **Apr. 30, 2012**

(30) **Foreign Application Priority Data**

Nov. 9, 2011 (CN) ..... 2011 3 0432031

(51) **LOC (10) Cl.** ..... **26-06**

(52) **U.S. Cl.**  
USPC ..... **D26/28**

(58) **Field of Classification Search**  
USPC ..... D26/28-36; 362/459-468, 475-478,  
362/485-487

See application file for complete search history.

(56) **References Cited**

**U.S. PATENT DOCUMENTS**

D490,174 S \* 5/2004 Lin ..... D26/28  
D493,550 S \* 7/2004 Lin ..... D26/28

D495,813 S \* 9/2004 Lin ..... D26/28  
D528,681 S \* 9/2006 Nakahara ..... D26/28  
D528,685 S \* 9/2006 Yoshida ..... D26/28  
D538,956 S \* 3/2007 Ishii ..... D26/28  
D544,114 S \* 6/2007 Ohta ..... D26/28  
D544,614 S \* 6/2007 Markefka ..... D26/28  
D549,857 S \* 8/2007 Lin ..... D26/28  
D561,358 S \* 2/2008 Tachibana ..... D26/28

\* cited by examiner

*Primary Examiner* — Marcus Jackson

(57) **CLAIM**

The ornamental design for a vehicle headlight, as shown and described.

**DESCRIPTION**

FIG. 1 is a front view of a vehicle headline.  
FIG. 2 is a rear view of the vehicle headlight of FIG. 1.  
FIG. 3 is a left side view of the vehicle headlight of FIG. 1.  
FIG. 4 is a right side view of the vehicle headlight of FIG. 1.  
FIG. 5 is a top view of the vehicle headlight of FIG. 1.  
FIG. 6 is a bottom view of the vehicle headlight of FIG. 1.  
FIG. 7 is a front right perspective view of the vehicle headlight of FIG. 1; and,  
FIG. 8 is a front left perspective view of the vehicle headlight of FIG. 1.

**1 Claim, 8 Drawing Sheets**

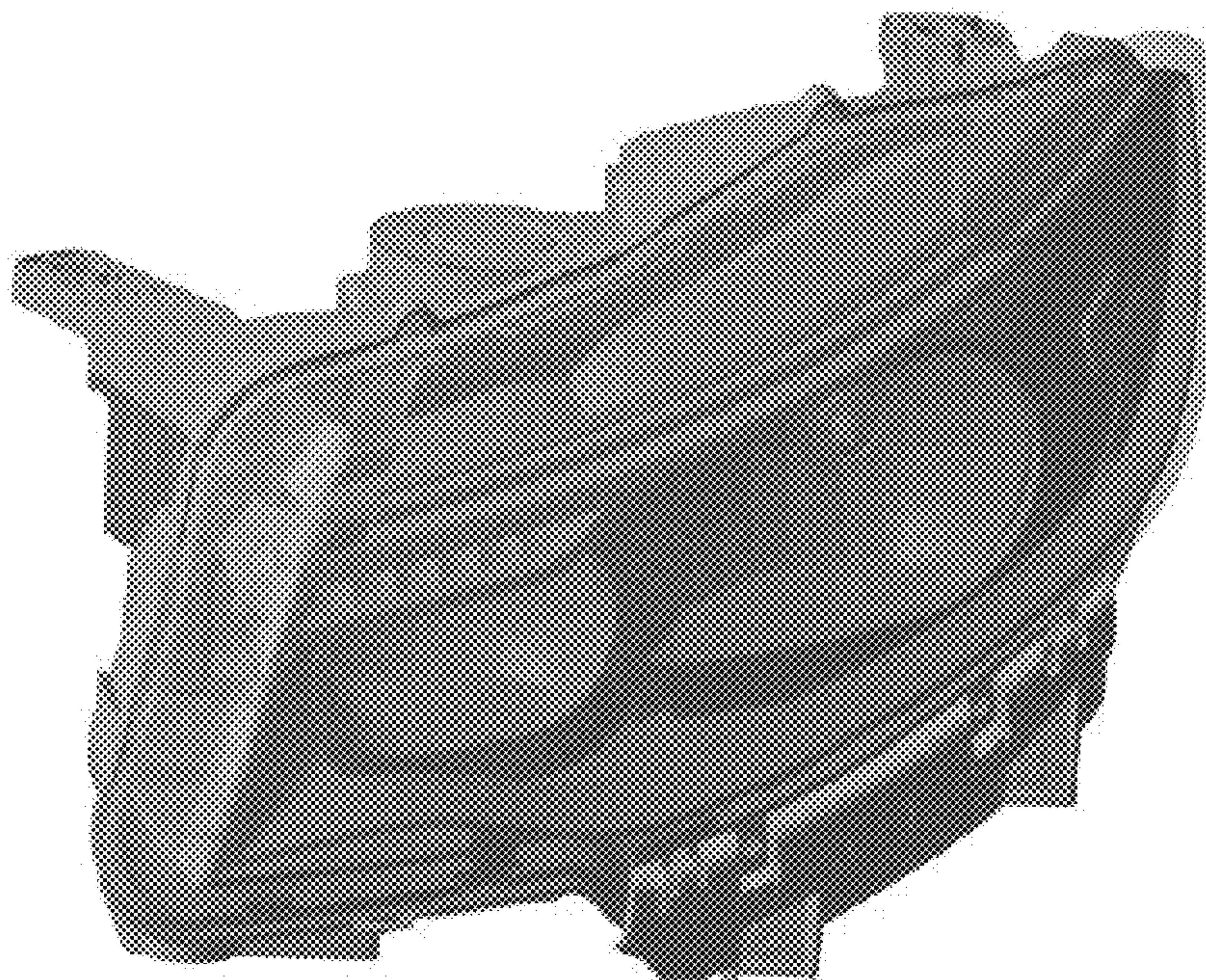




FIG. 1

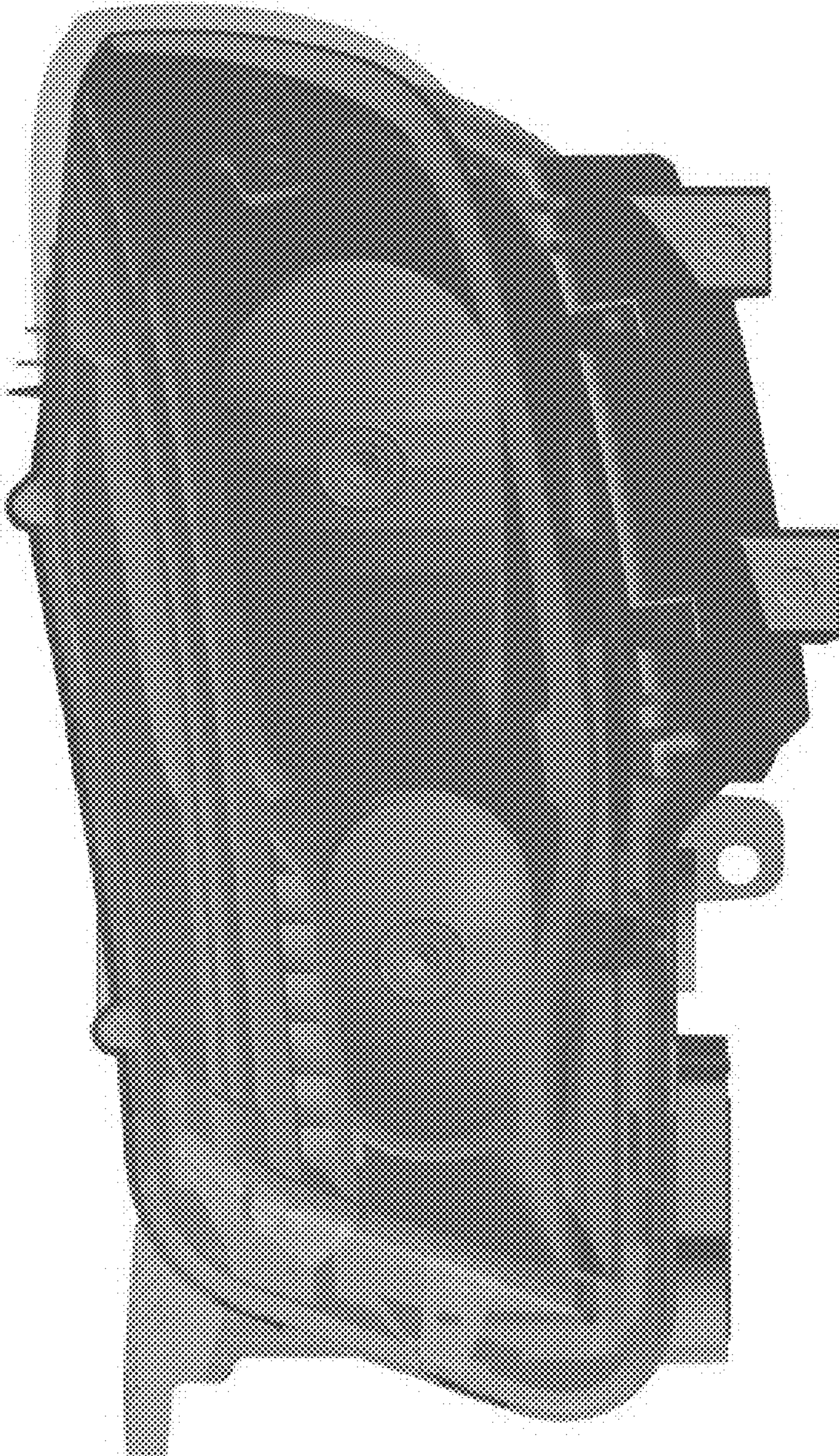




FIG. 2

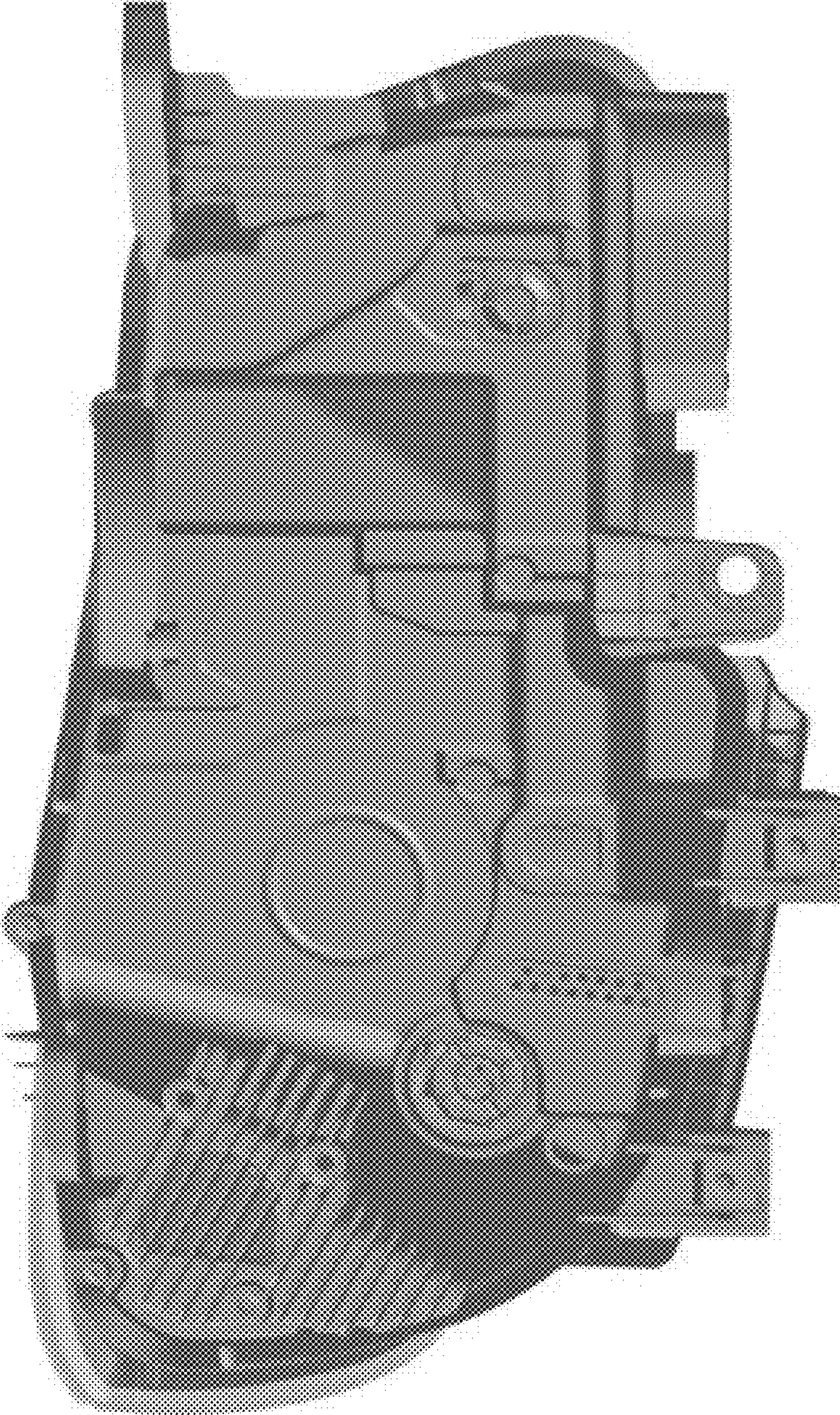




FIG. 3

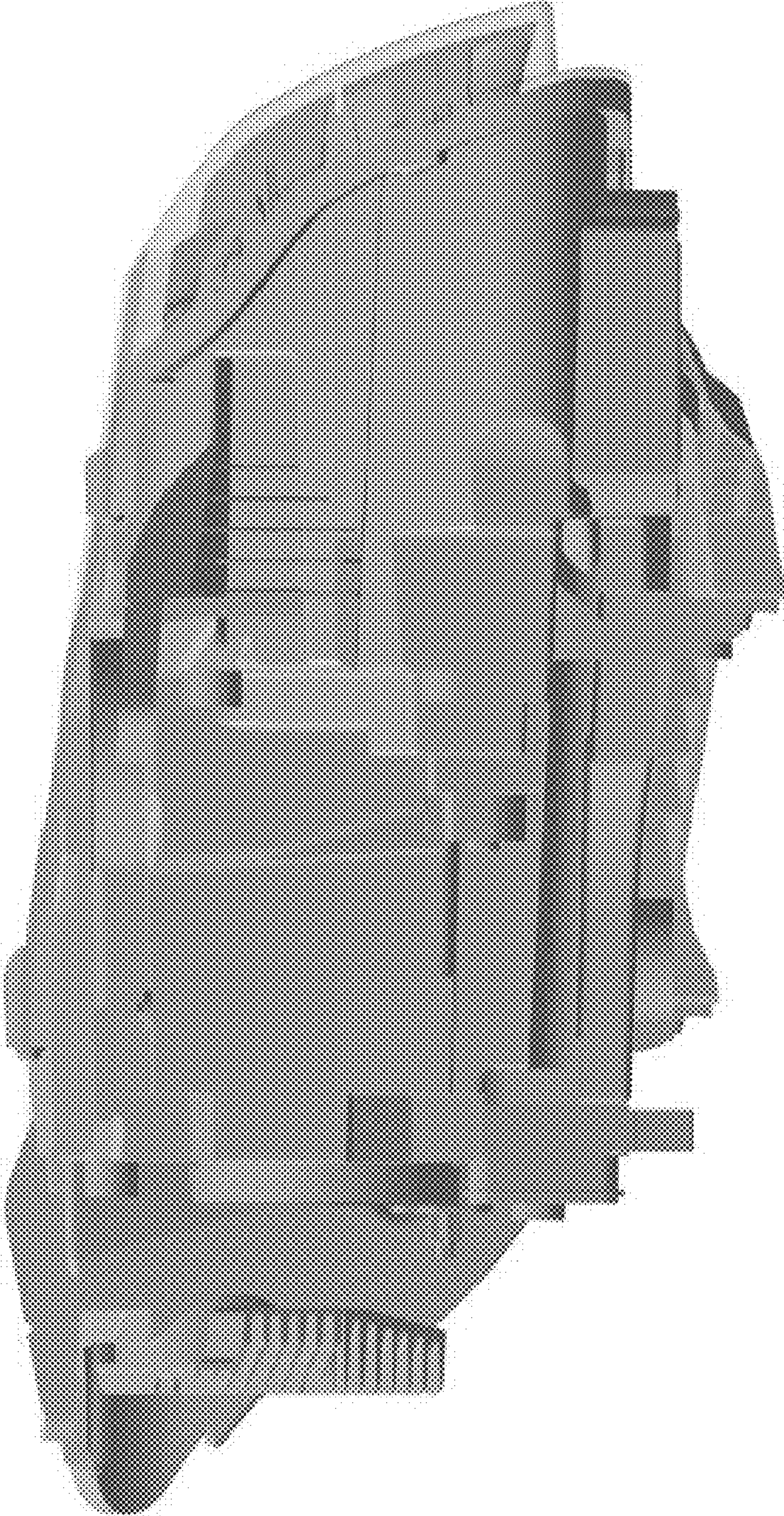




FIG. 4

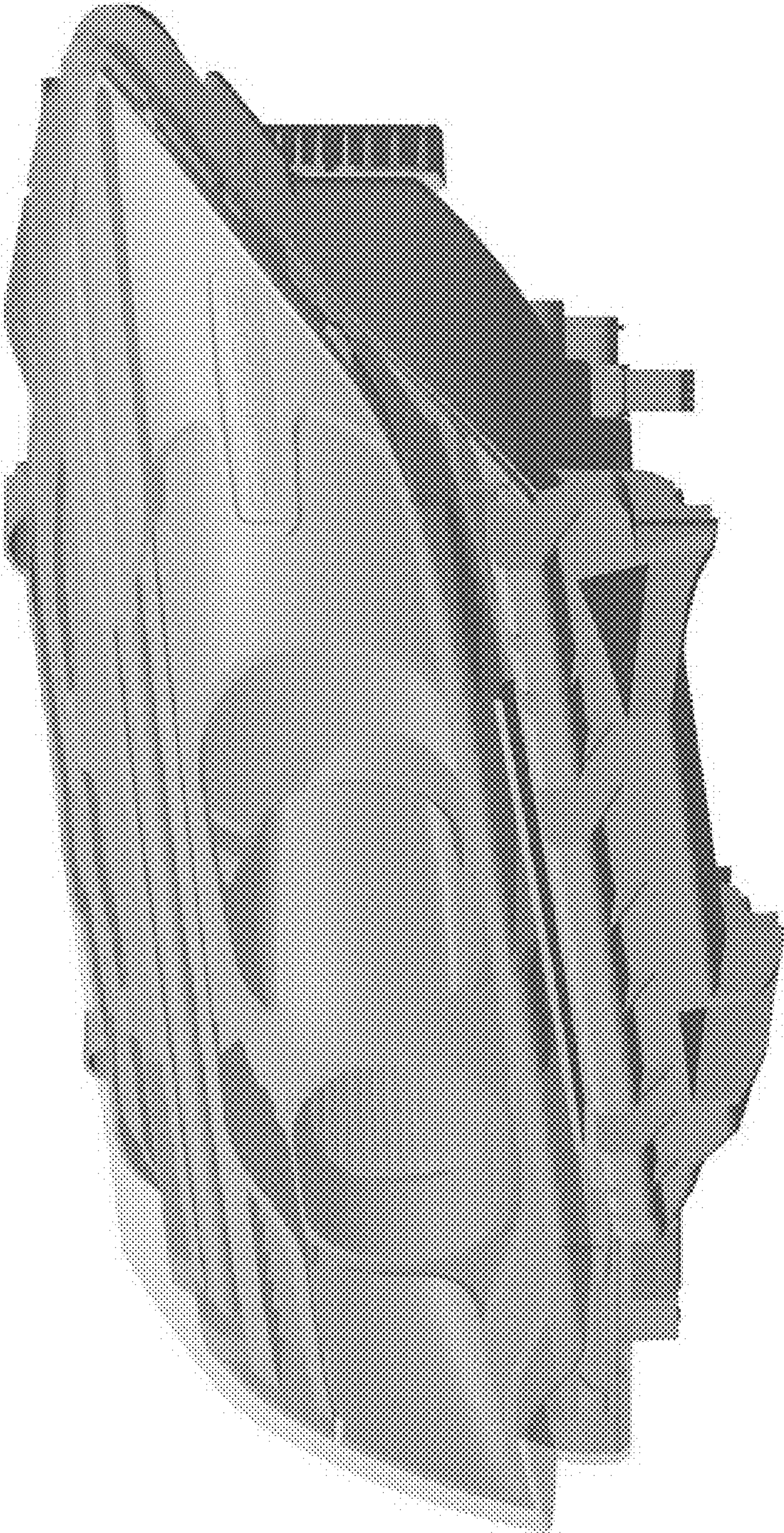




FIG. 5

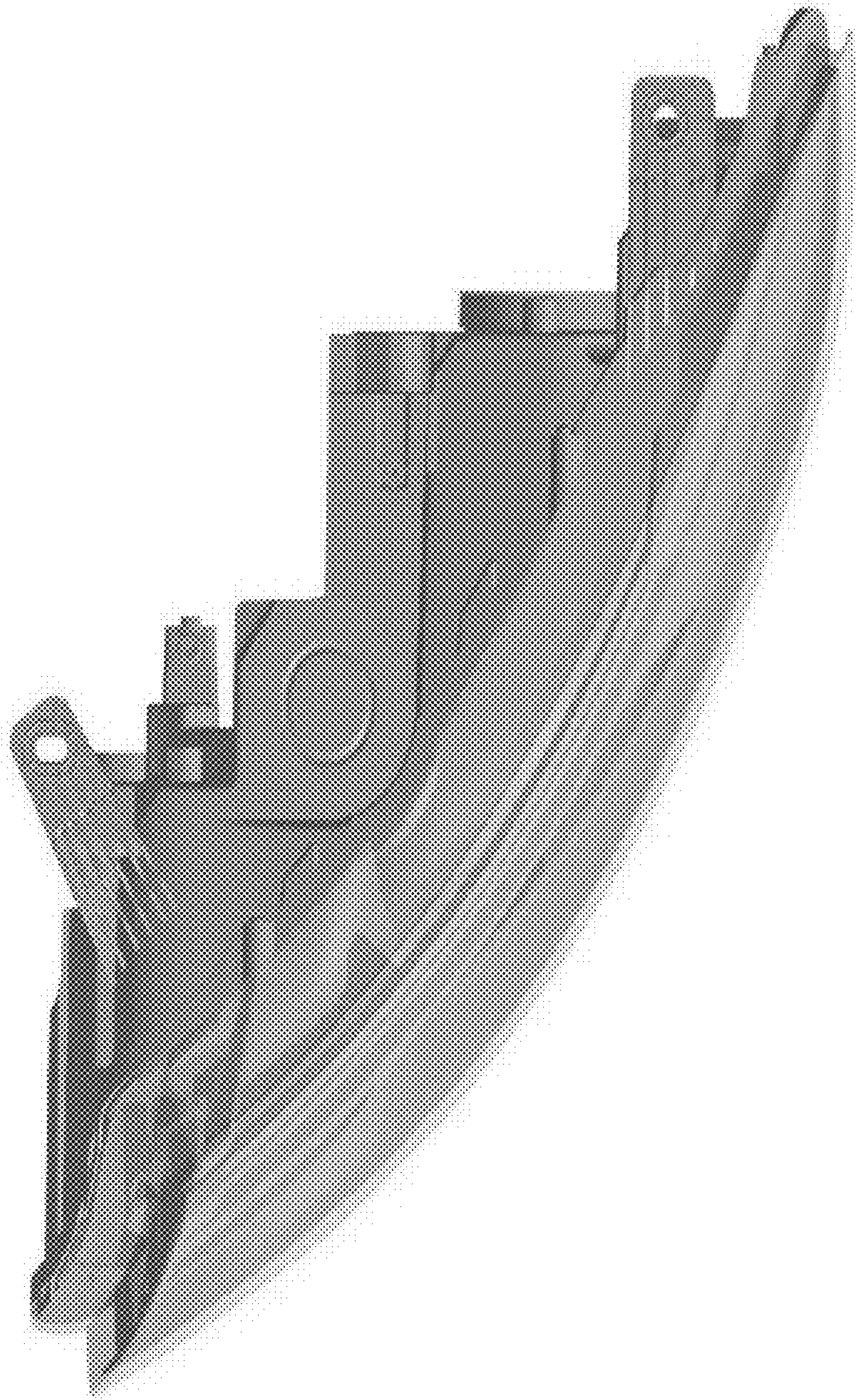




FIG. 6

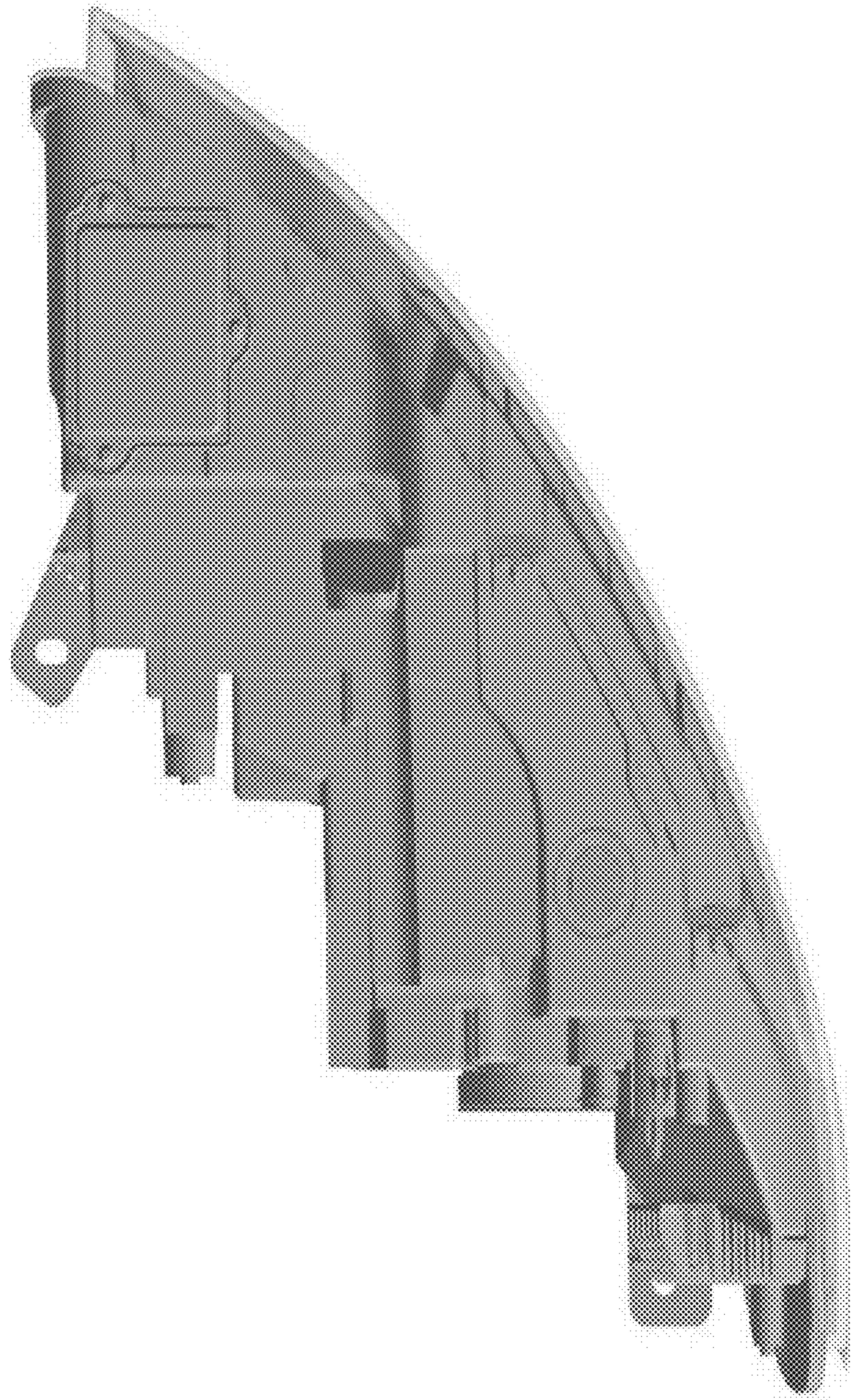




FIG. 7

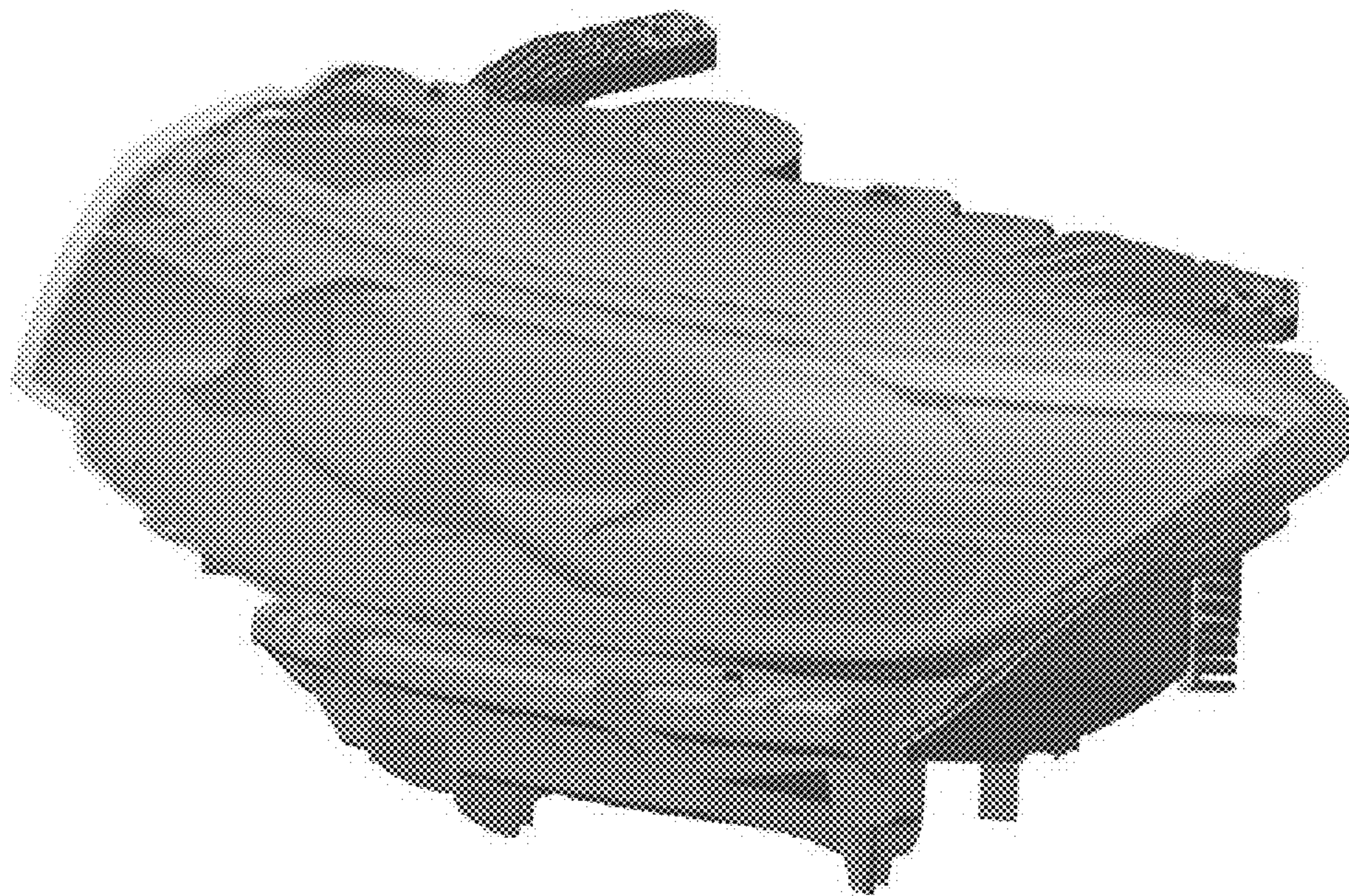




FIG. 8

