



US00D705958S

(12) **United States Design Patent**
Poon

(10) **Patent No.:** **US D705,958 S**

(45) **Date of Patent:** **** May 27, 2014**

(54) **ELECTRONIC CANDLE WICK**
(71) Applicant: **Nga Tik Poon**, Hong Kong (CN)
(72) Inventor: **Nga Tik Poon**, Hong Kong (CN)
(**) Term: **14 Years**

D545,458 S * 6/2007 Jensen D26/5
D566,322 S 4/2008 Yao
D569,541 S 5/2008 Shiu
D576,317 S * 9/2008 Jensen D26/5
D612,076 S * 3/2010 Peterson D26/5
D625,042 S 10/2010 Lee
D645,171 S * 9/2011 Hau et al. D26/5

* cited by examiner

(21) Appl. No.: **29/433,959**
(22) Filed: **Oct. 7, 2012**
(51) **LOC (10) Cl.** **26-04**
(52) **U.S. Cl.**
USPC **D26/5**
(58) **Field of Classification Search**
USPC D26/5-12; 431/144, 289; 362/161, 179,
362/569, 641-644
See application file for complete search history.

Primary Examiner — Marcus Jackson
(74) *Attorney, Agent, or Firm* — QuickPatents; Kevin Prince

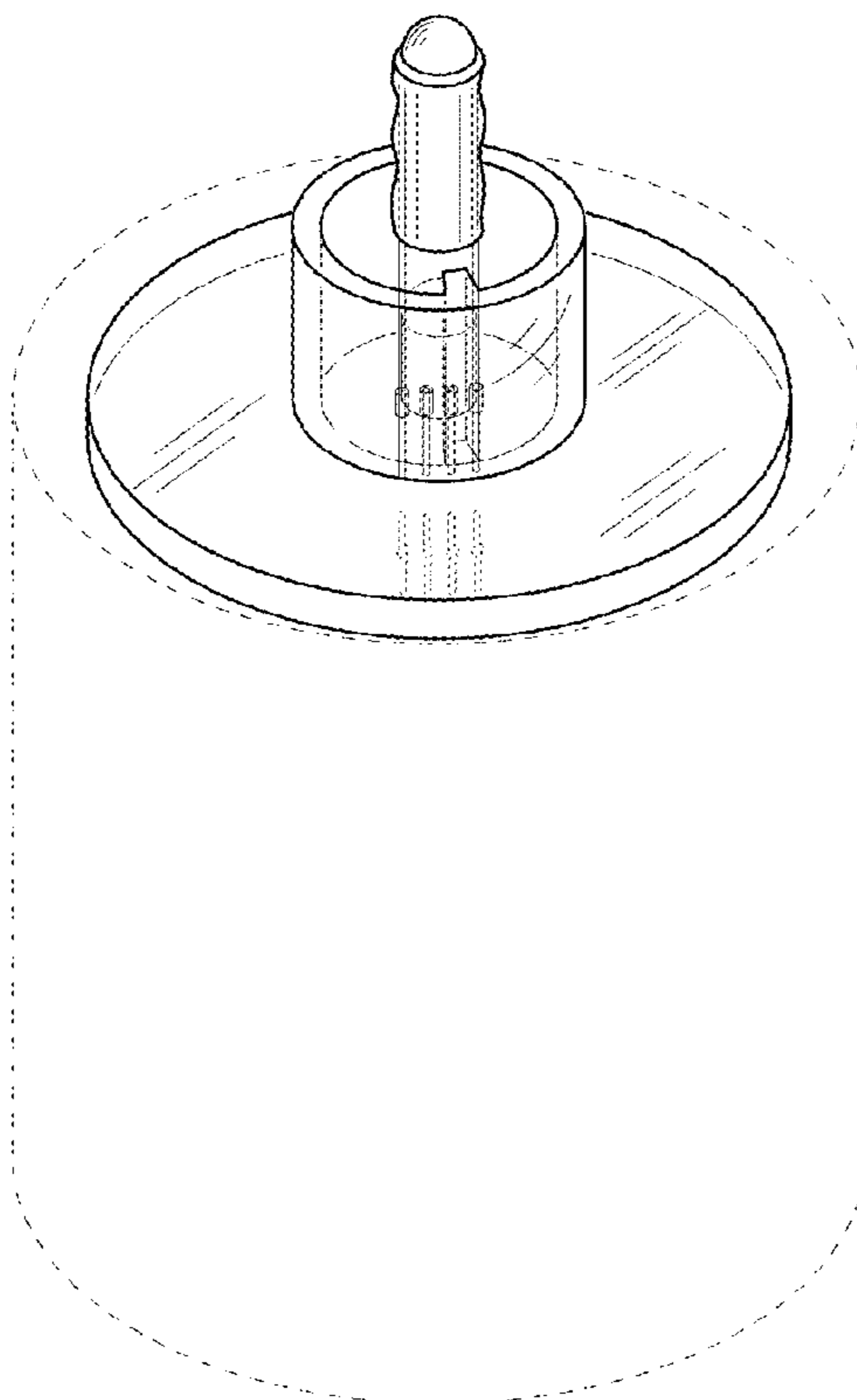
(57) **CLAIM**
I claim the ornamental design for an electronic candle wick,
as shown and described.

DESCRIPTION

FIG. 1 is a perspective view of an electronic candle wick,
showing my new design;
FIG. 2 is a front elevational view thereof;
FIG. 3 is a rear elevational view thereof;
FIG. 4 is a right-side elevational view thereof;
FIG. 5 is a left-side elevational view thereof;
FIG. 6 is a top plan view thereof; and,
FIG. 7 is a bottom plan view thereof.
The broken lines showing a candle base in FIG. 1 depict
environmental matter and form no part of the claimed design.

(56) **References Cited**
U.S. PATENT DOCUMENTS
741,245 A 10/1903 Hubert
1,196,913 A 9/1916 Weidlich
D85,929 S 1/1932 Graff
D188,691 S 8/1960 Gelardin
D474,854 S 5/2003 Lam
D488,582 S 4/2004 Connelly
D537,190 S 2/2007 Lyall
7,178,939 B2 2/2007 Tsai

1 Claim, 3 Drawing Sheets



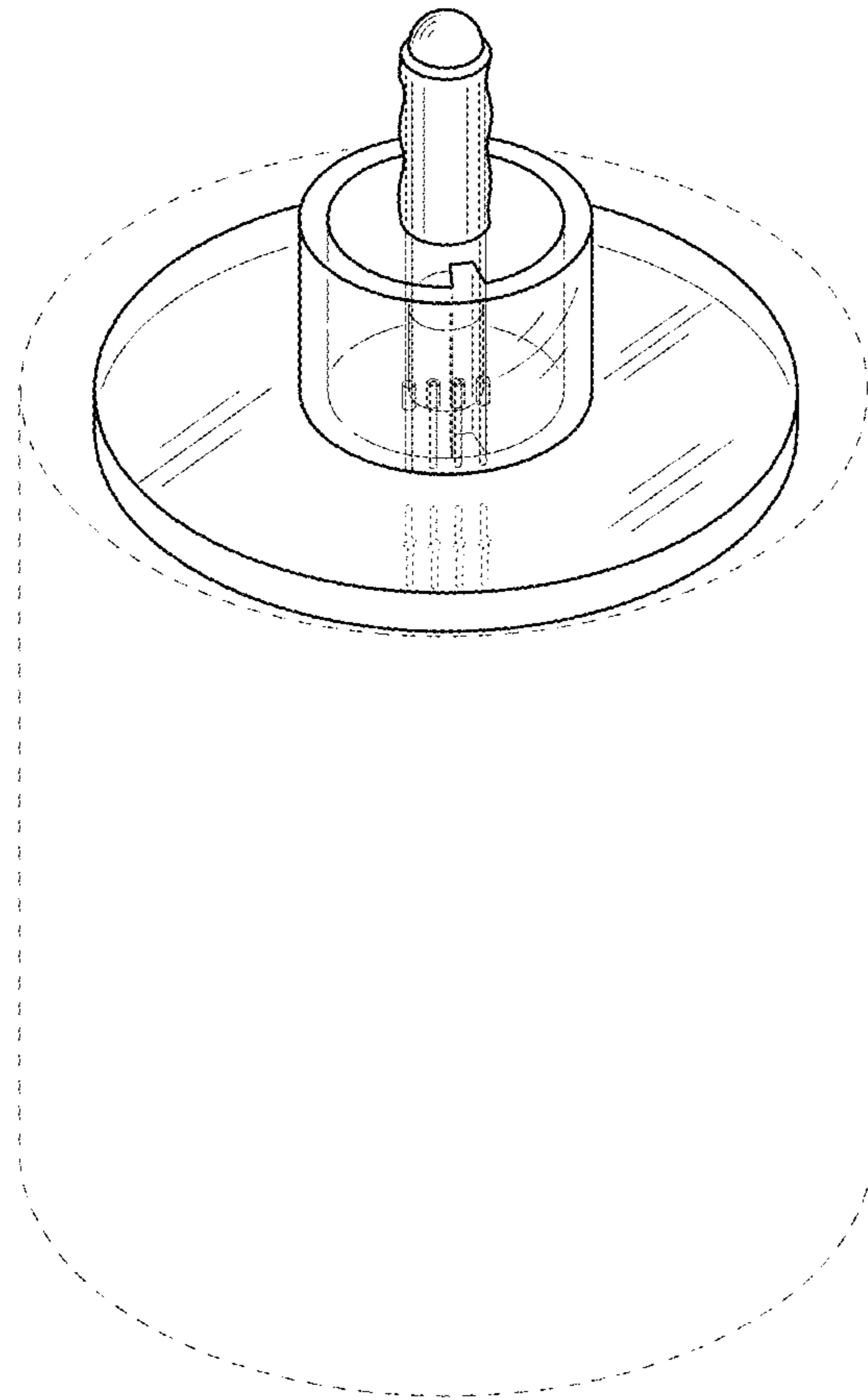


FIG. 1

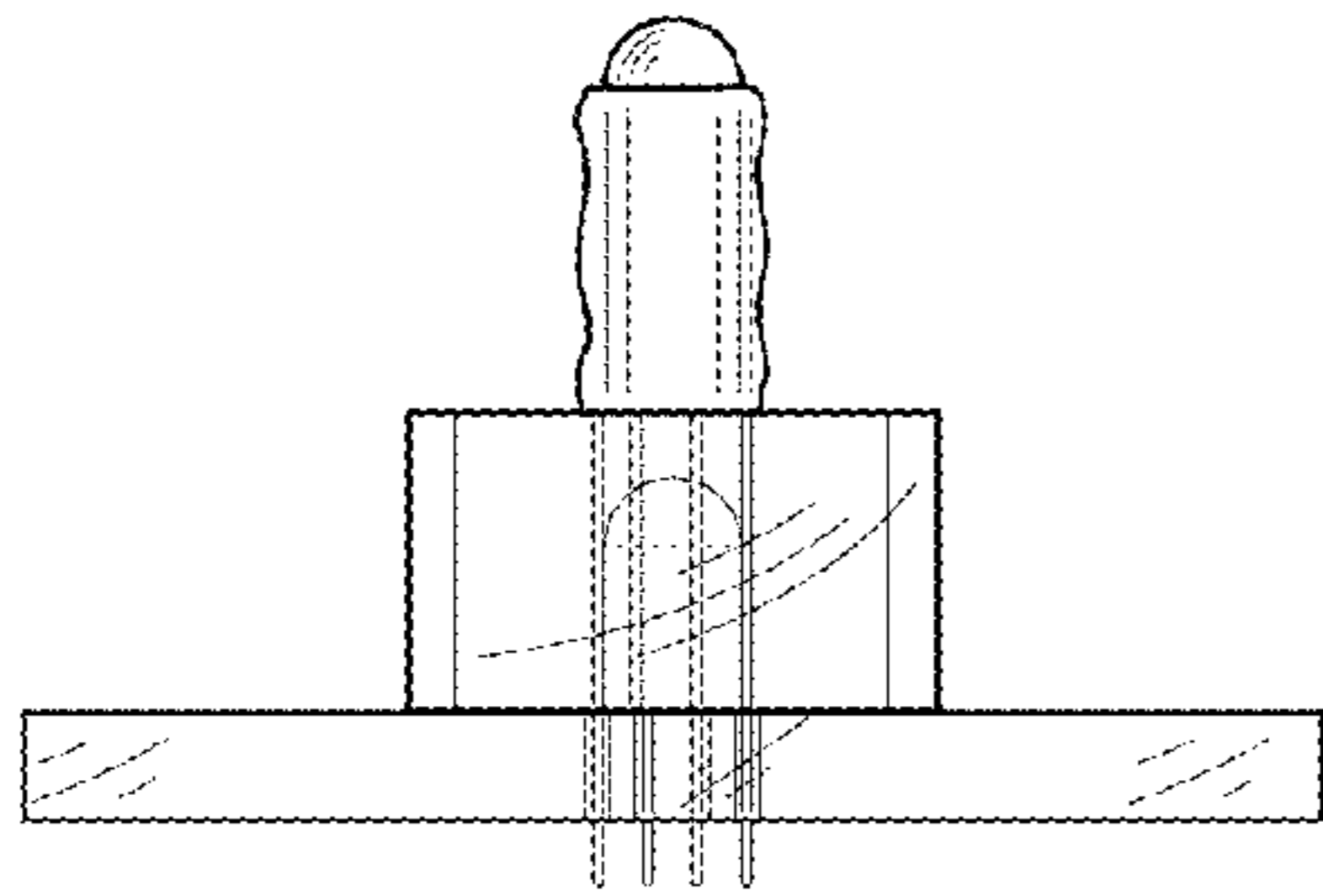


FIG. 2

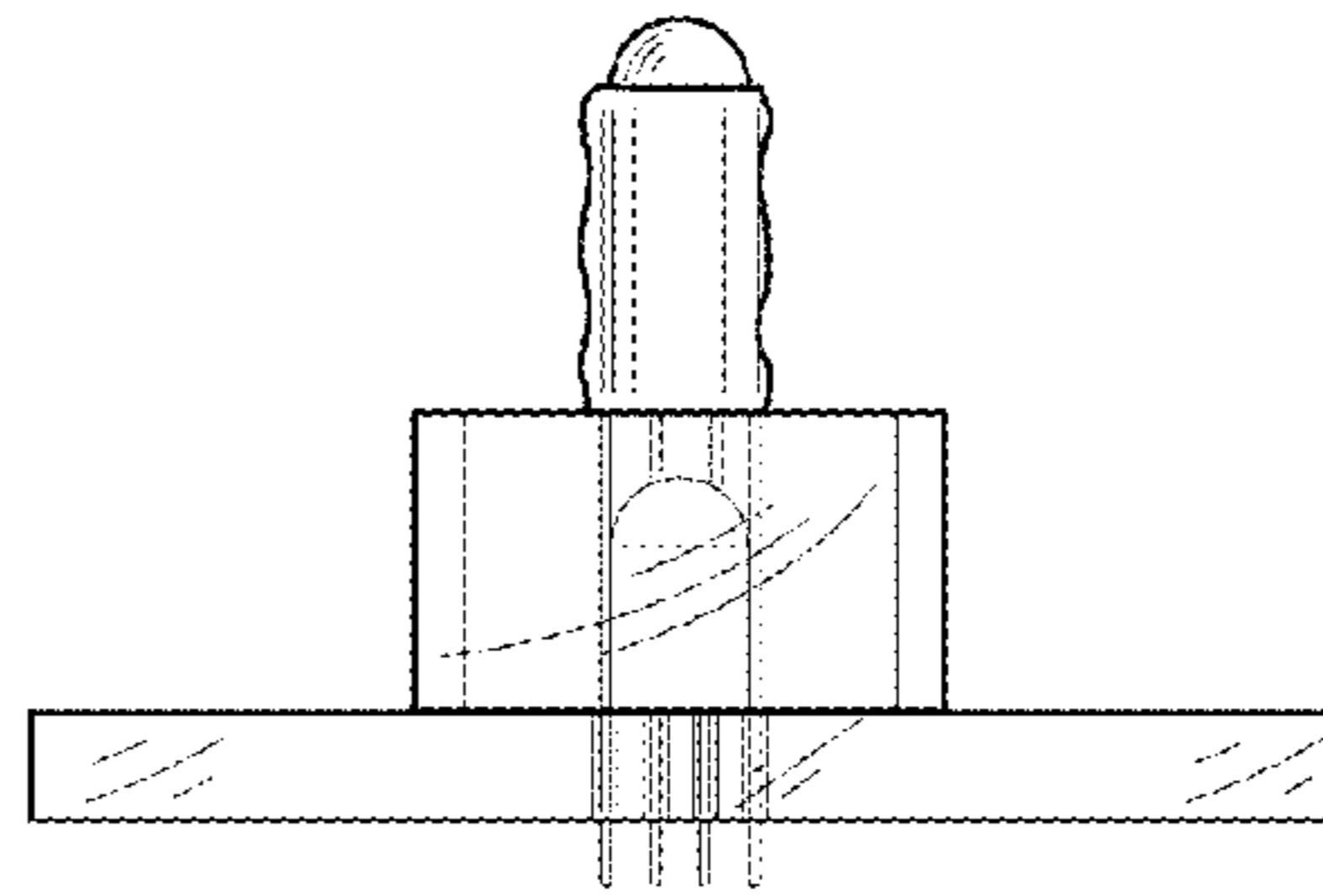


FIG. 3

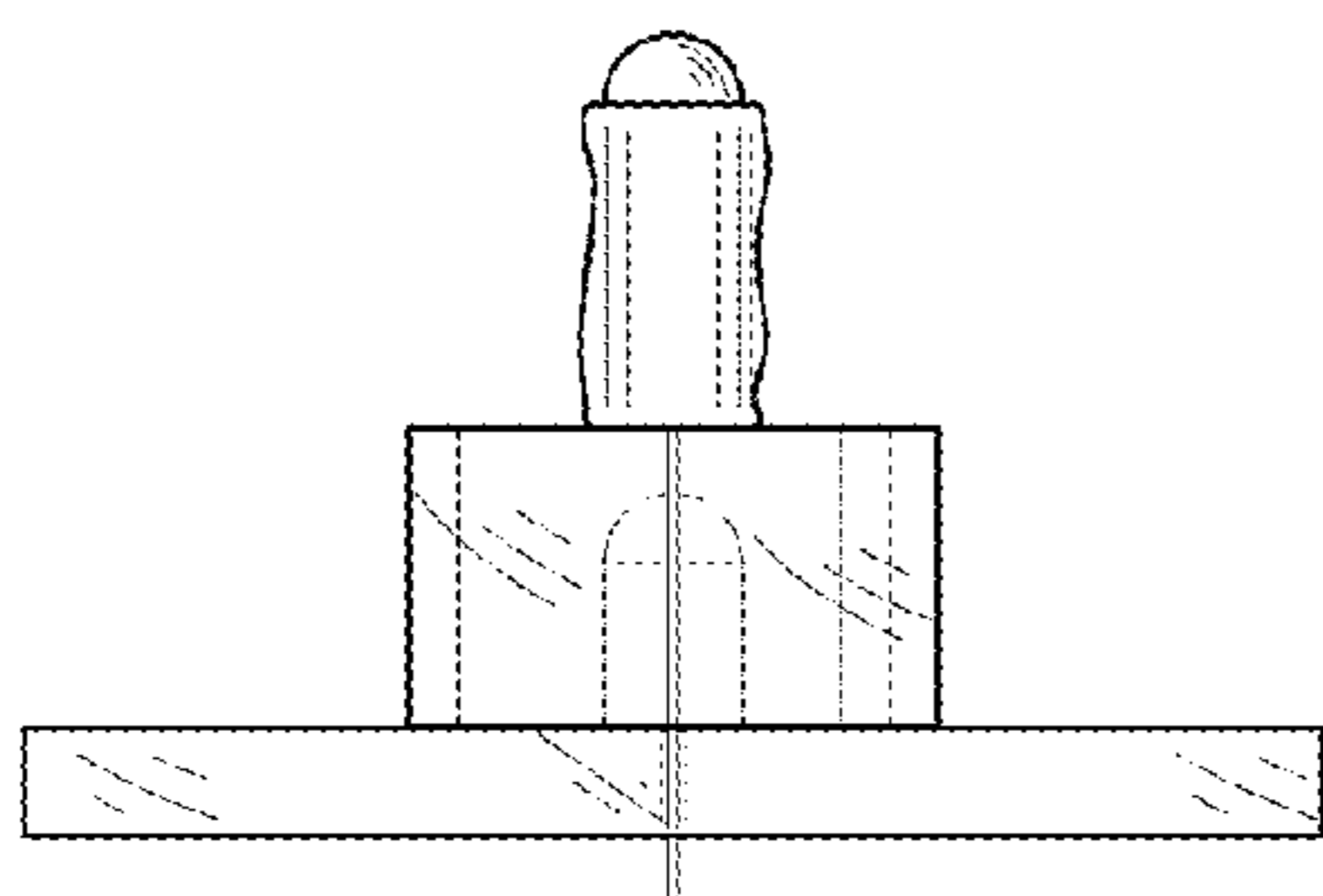


FIG. 4

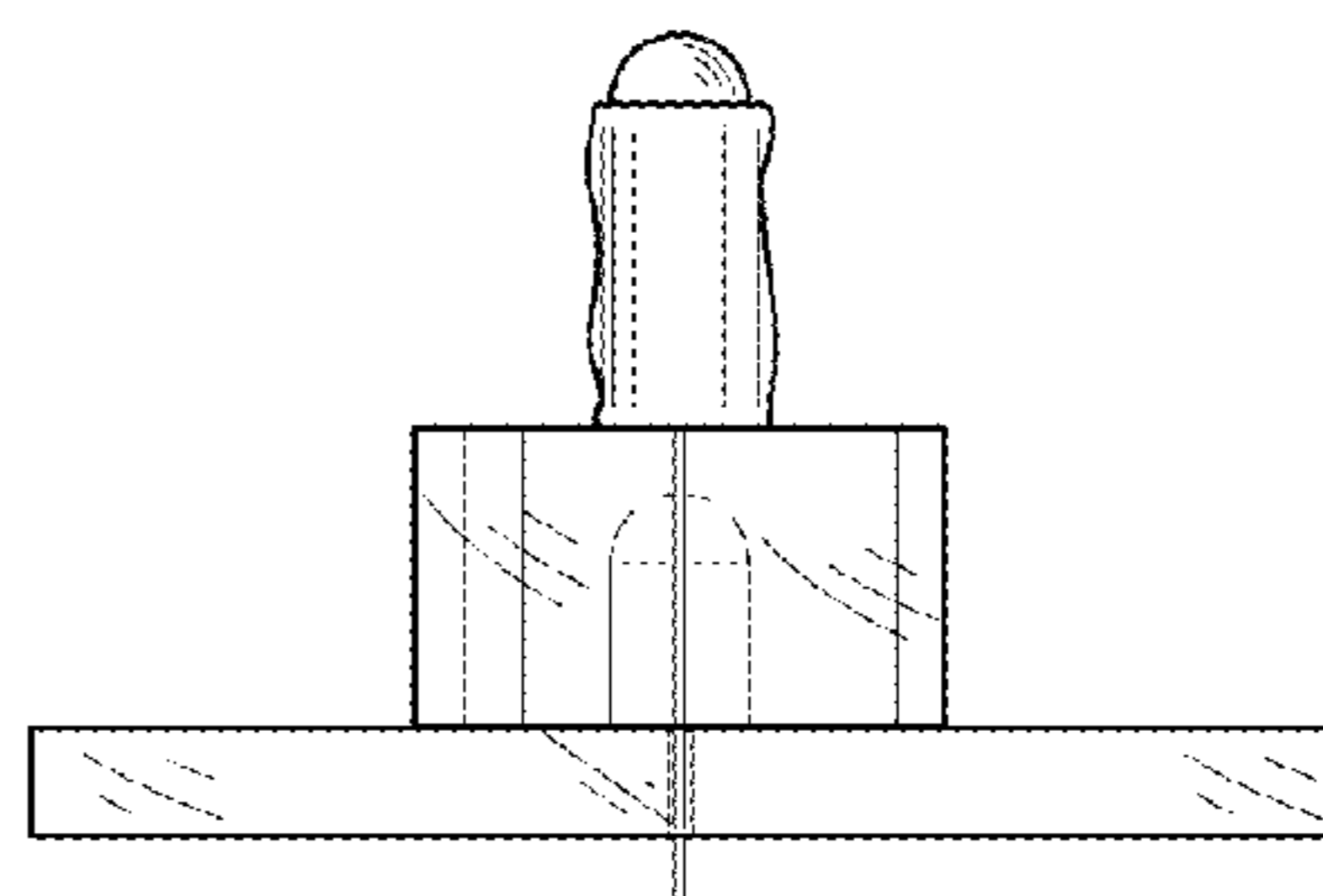


FIG. 5



FIG. 6

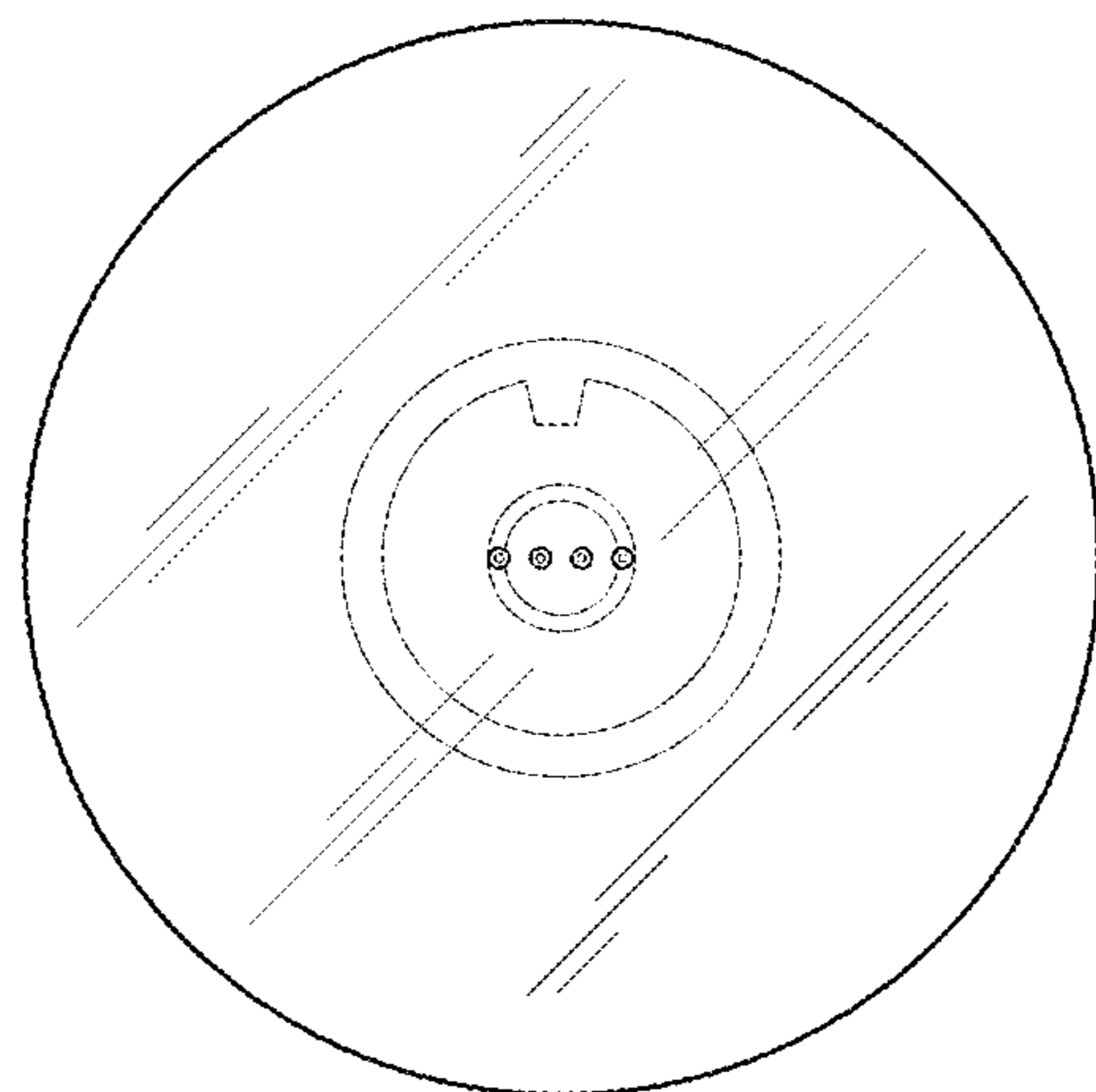


FIG. 7