



US00D705957S

(12) **United States Design Patent**
Lin

(10) **Patent No.:** **US D705,957 S**

(45) **Date of Patent:** **** *May 27, 2014**

(54) **LIGHT EMITTING DIODE PACKAGE**

JP	D1393905	8/2010
TW	D123860	7/2008
TW	D123860	8/2008
TW	D141204	6/2011

(75) Inventor: **Jung Chiuan Lin**, New Taipei (TW)

(73) Assignee: **Everlight Electronics Co., Ltd.** (TW)

* cited by examiner

(*) Notice: This patent is subject to a terminal disclaimer.

Primary Examiner — Marcus Jackson
(74) *Attorney, Agent, or Firm* — Han IP Corporation

(**) Term: **14 Years**

(57) **CLAIM**
The ornamental design for a light emitting diode package, as shown.

(21) Appl. No.: **29/417,255**

(22) Filed: **Mar. 31, 2012**

DESCRIPTION

(30) **Foreign Application Priority Data**

Oct. 21, 2011 (TW) 100305667

(51) **LOC (10) Cl.** **26-04**

(52) **U.S. Cl.**
USPC **D26/1; D13/180**

(58) **Field of Classification Search**
USPC D13/180; D26/1; 313/313, 315, 316,
313/317, 318, 493; 315/52, 53, 56, 57, 58
See application file for complete search history.

FIG. 1 is a first perspective view of a light emitting diode package incorporating a design according to an embodiment of the present disclosure;
FIG. 2 is a second perspective view thereof;
FIG. 3 is a third perspective view thereof;
FIG. 4 is a front elevational view thereof;
FIG. 5 is a rear elevational view thereof;
FIG. 6 is a left side elevational view thereof;
FIG. 7 is a right side elevational view thereof;
FIG. 8 is a top plan view thereof;
FIG. 9 is a bottom plan view thereof; and,
FIG. 10 is a cross-sectional view along a cross section A-A of FIG. 4.

(56) **References Cited**

U.S. PATENT DOCUMENTS

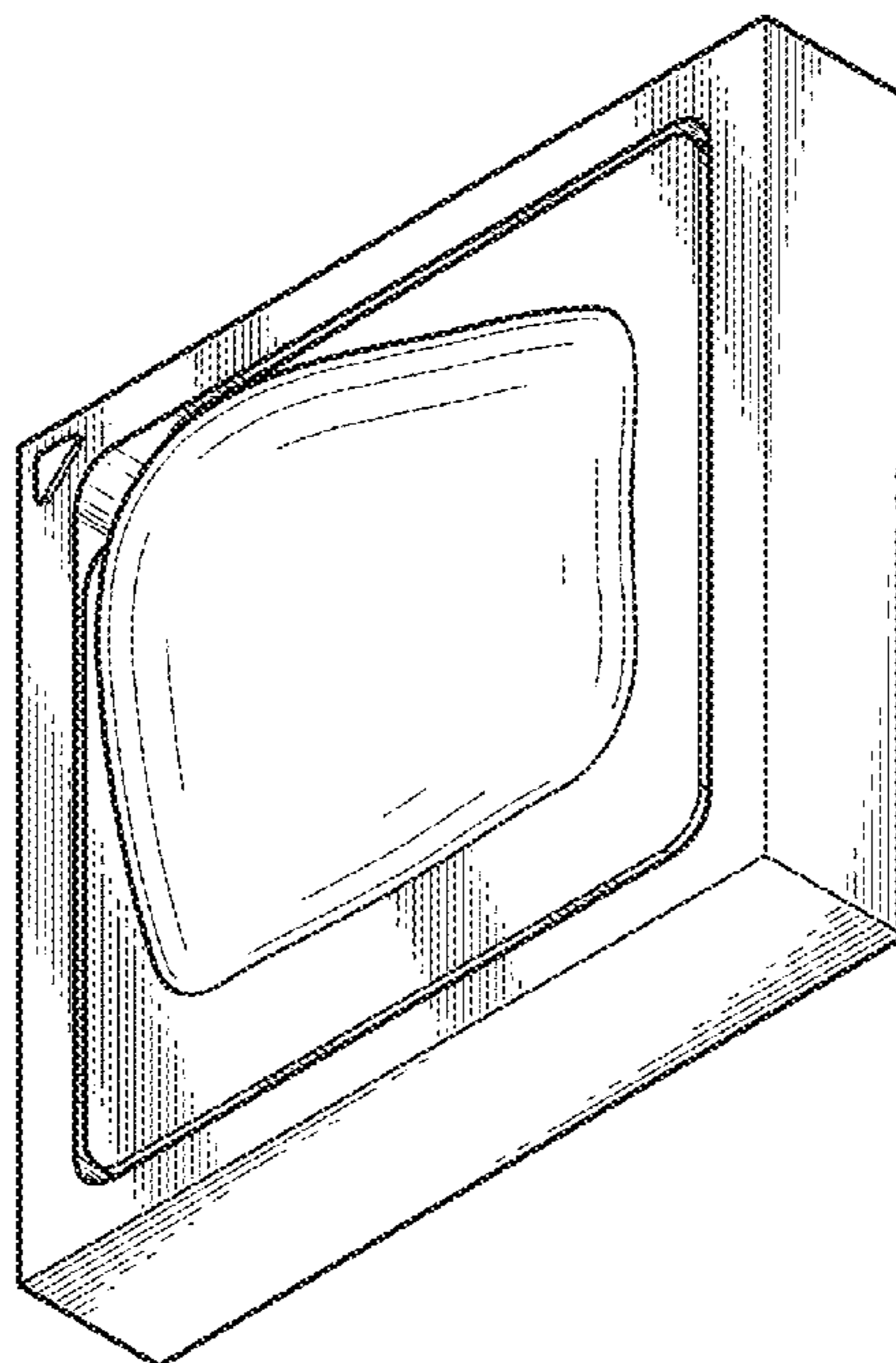
D634,863 S * 3/2011 Leung D26/1
D667,145 S * 9/2012 Bierhuizen et al. D26/1

The illustrated embodiment is characterized by the light emitting diode package including a base and a light emitting portion assembled to the base, as shown in FIGS. 1 and 5. In one embodiment, the base is generally rectangular in shape. In one embodiment, a bottom of the base includes two pads. In one embodiment, the light emitting portion is light transmissive and has an arched contour.

FOREIGN PATENT DOCUMENTS

JP D1298733 4/2007
JP D1387494 5/2010

1 Claim, 5 Drawing Sheets



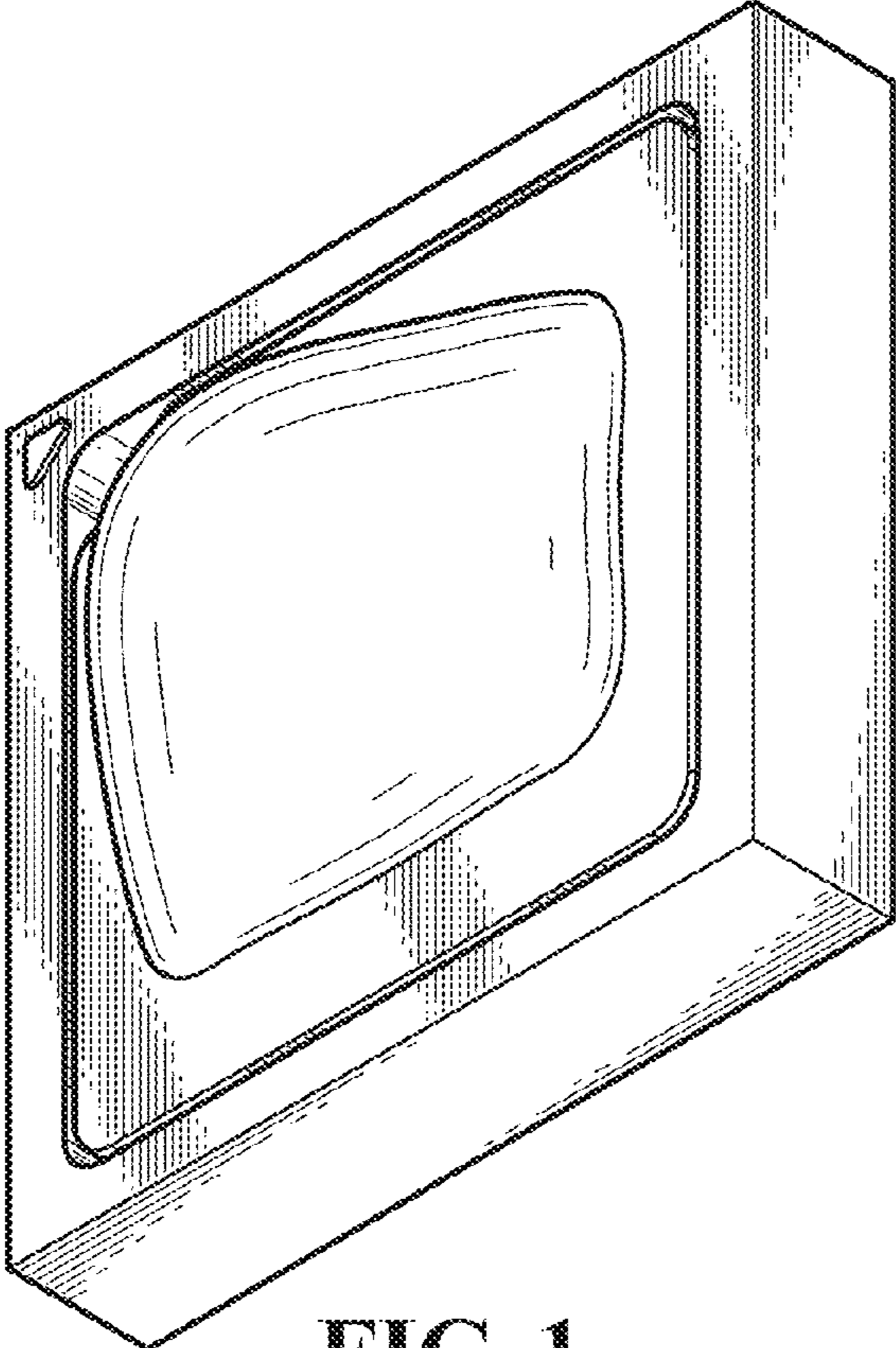


FIG. 1

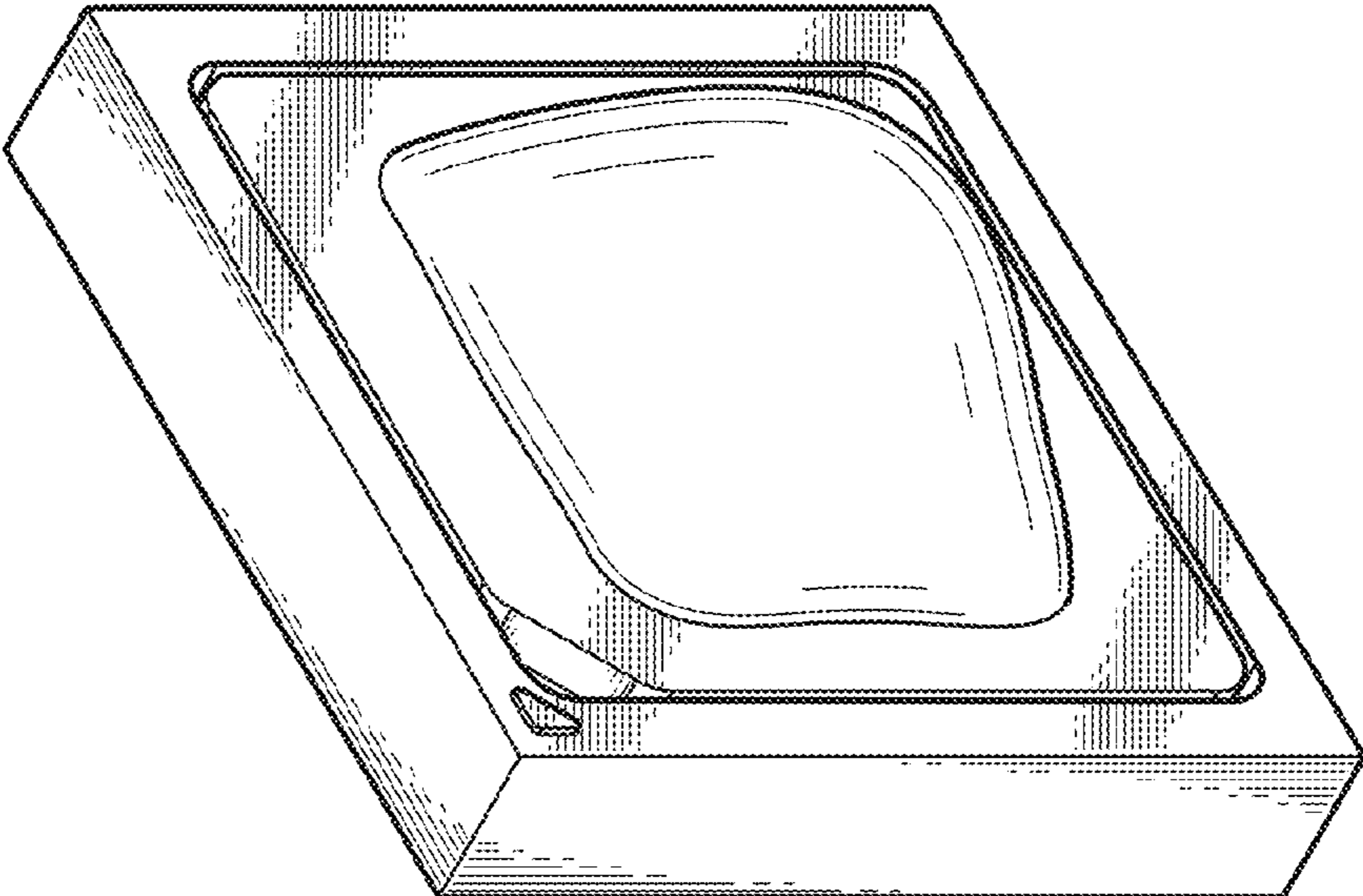


FIG. 2

FIG. 3

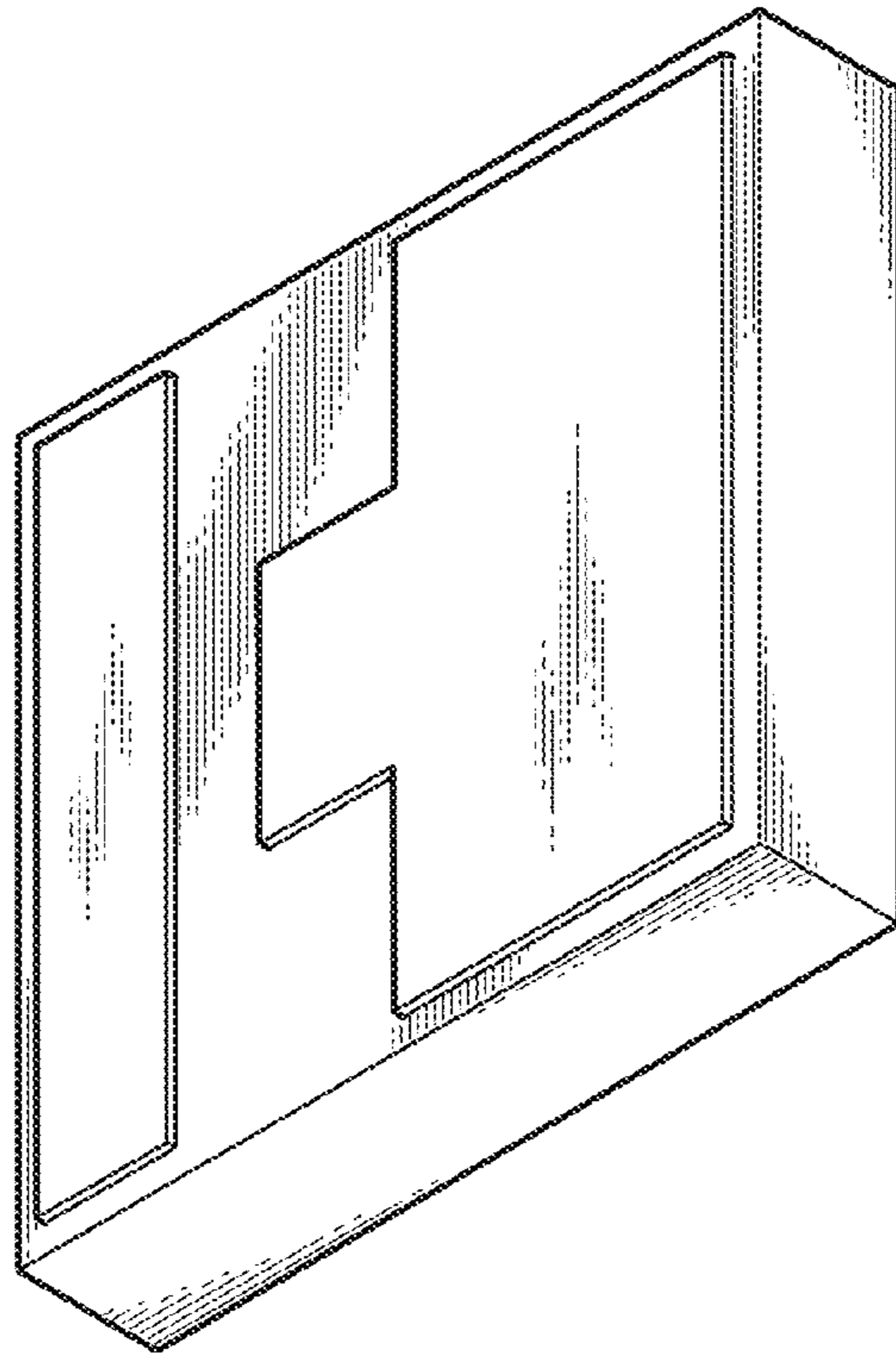
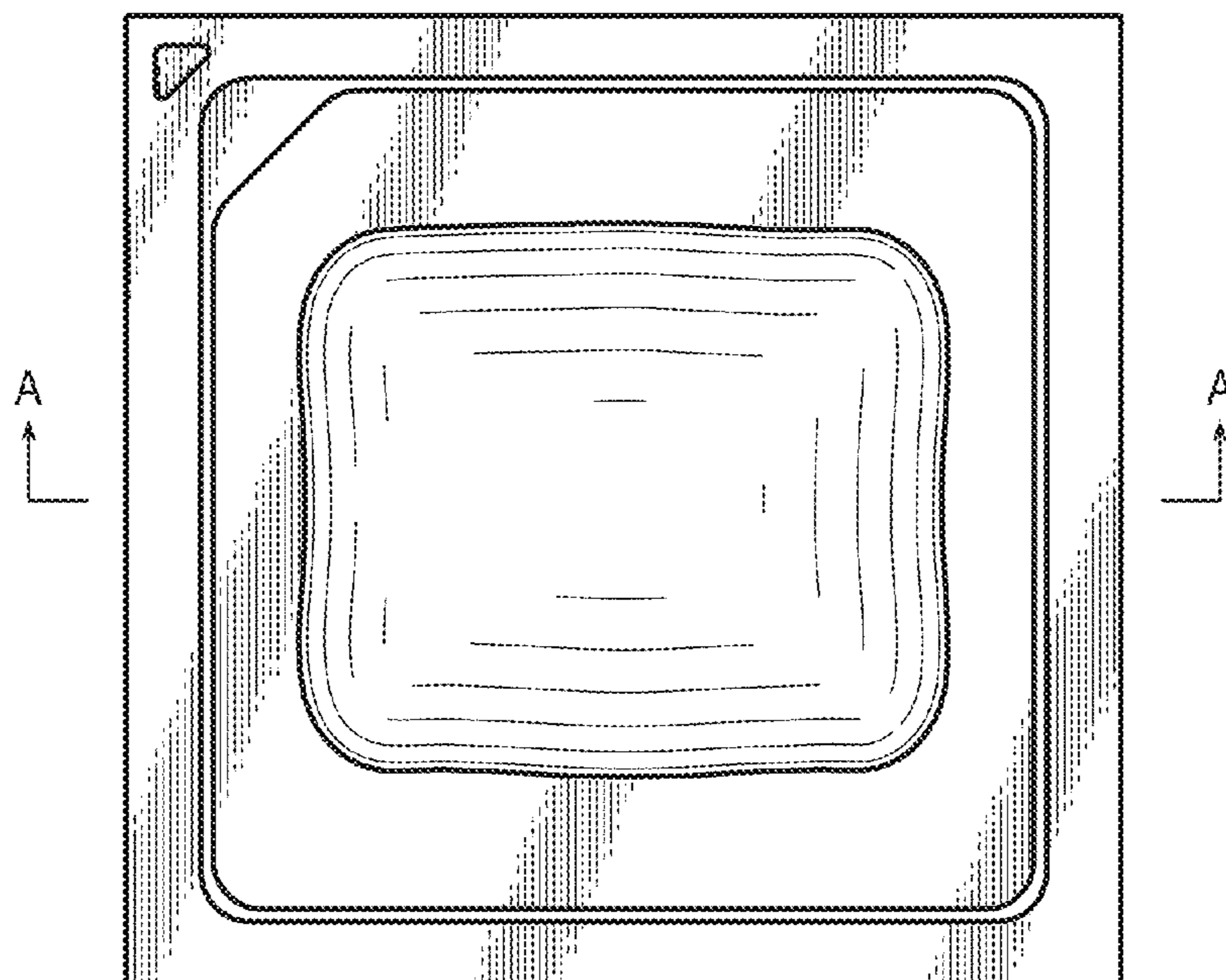


FIG. 4



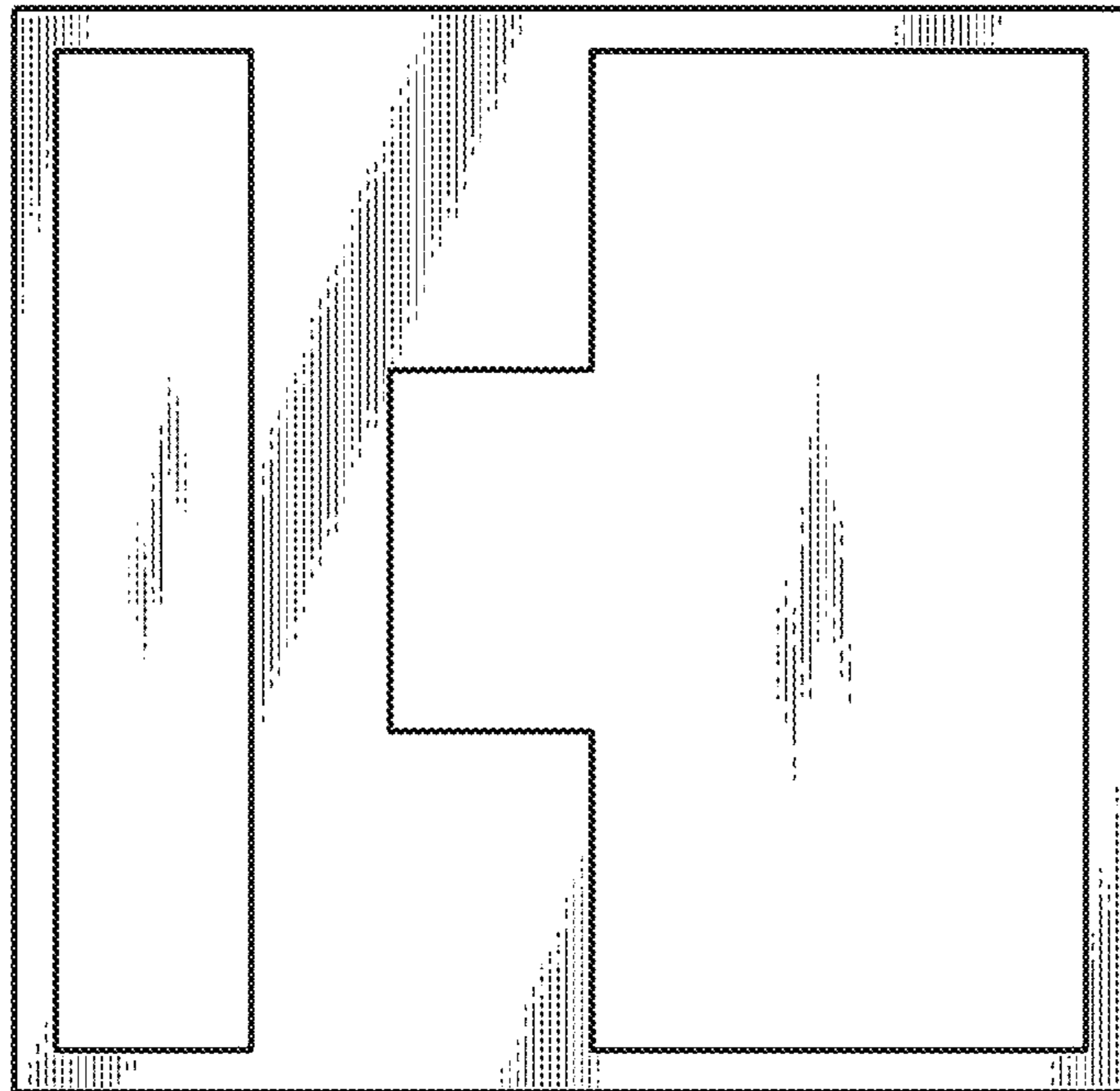


FIG. 5

FIG. 6

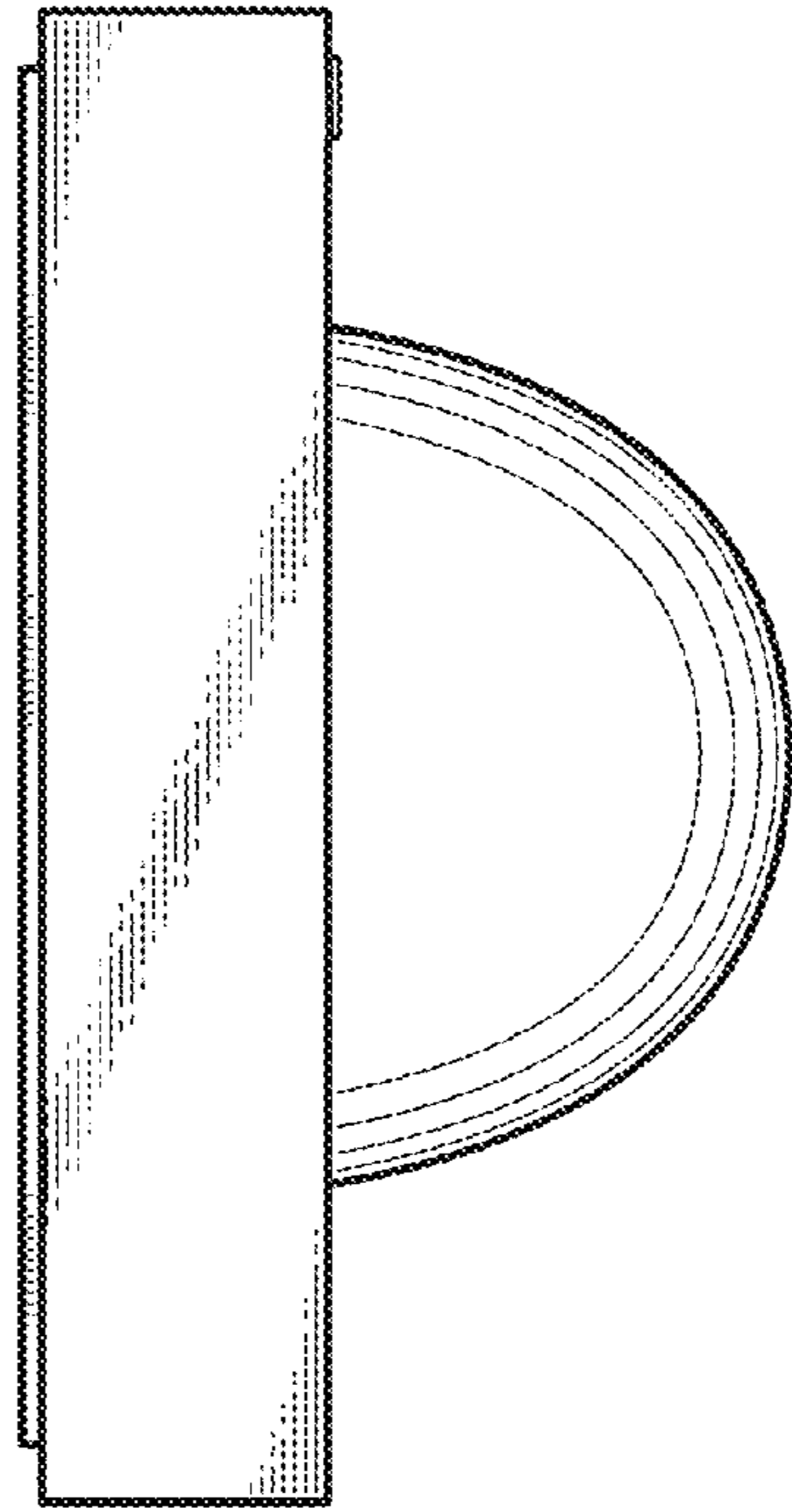
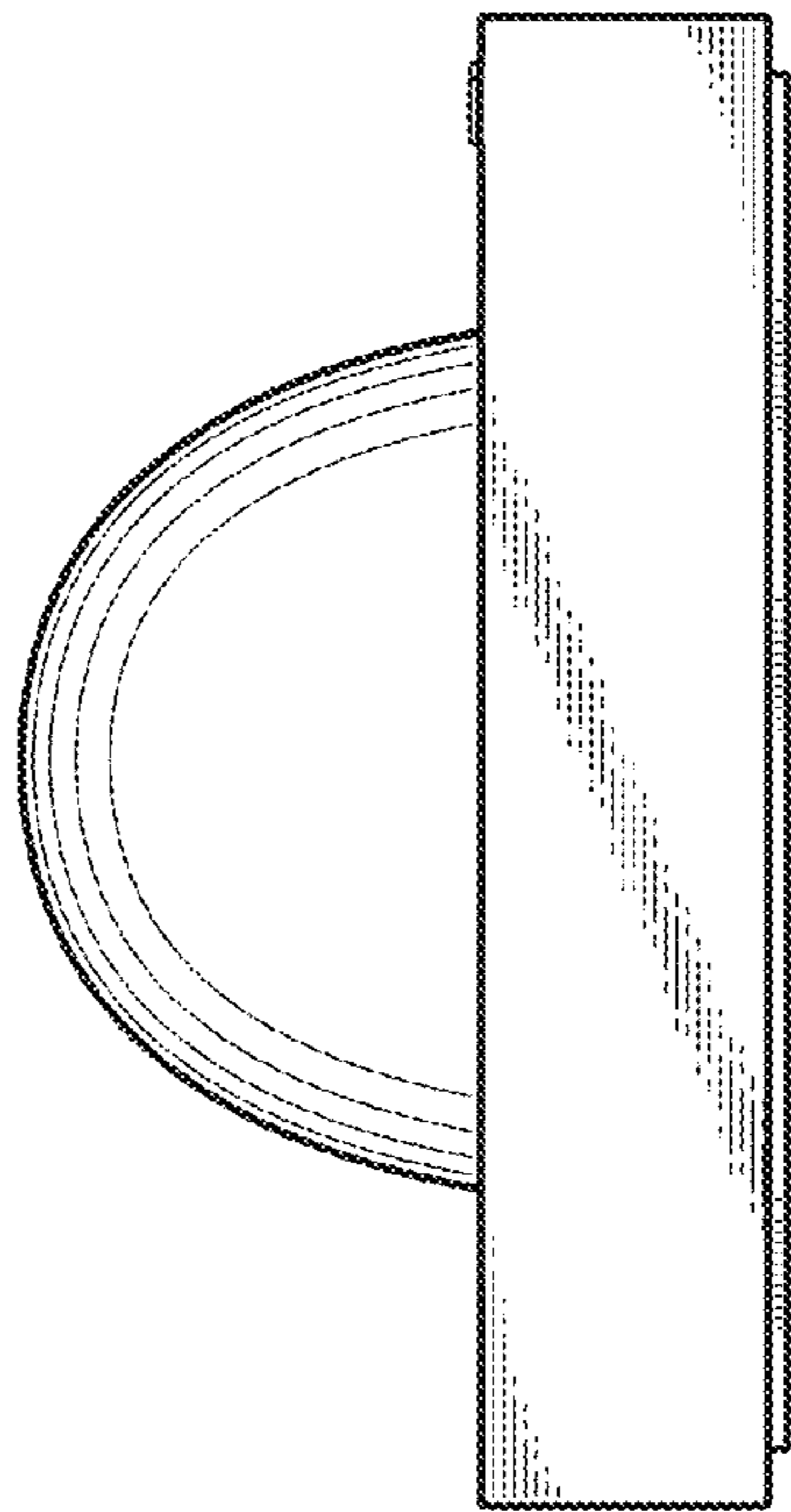


FIG. 7



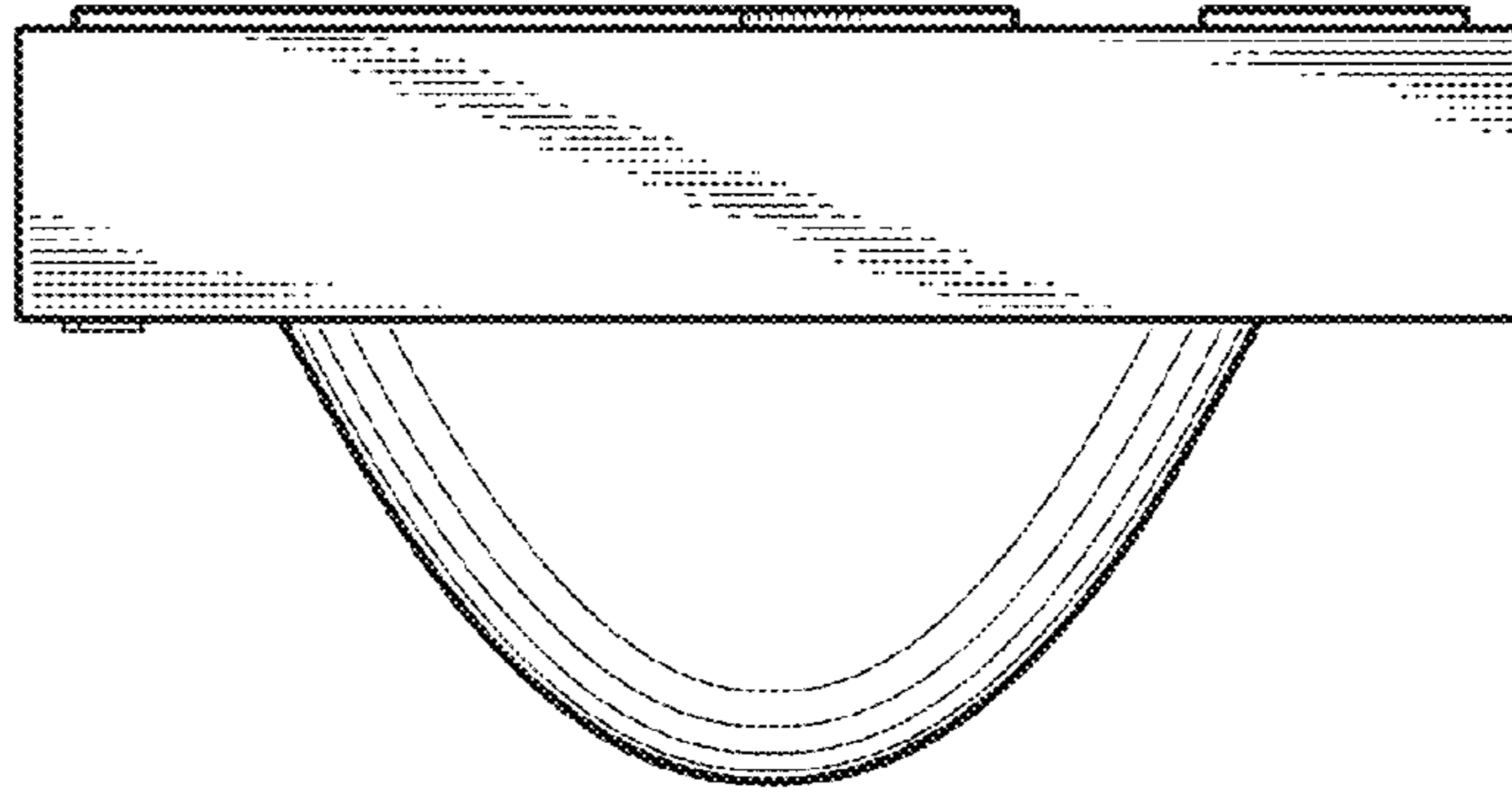


FIG. 8

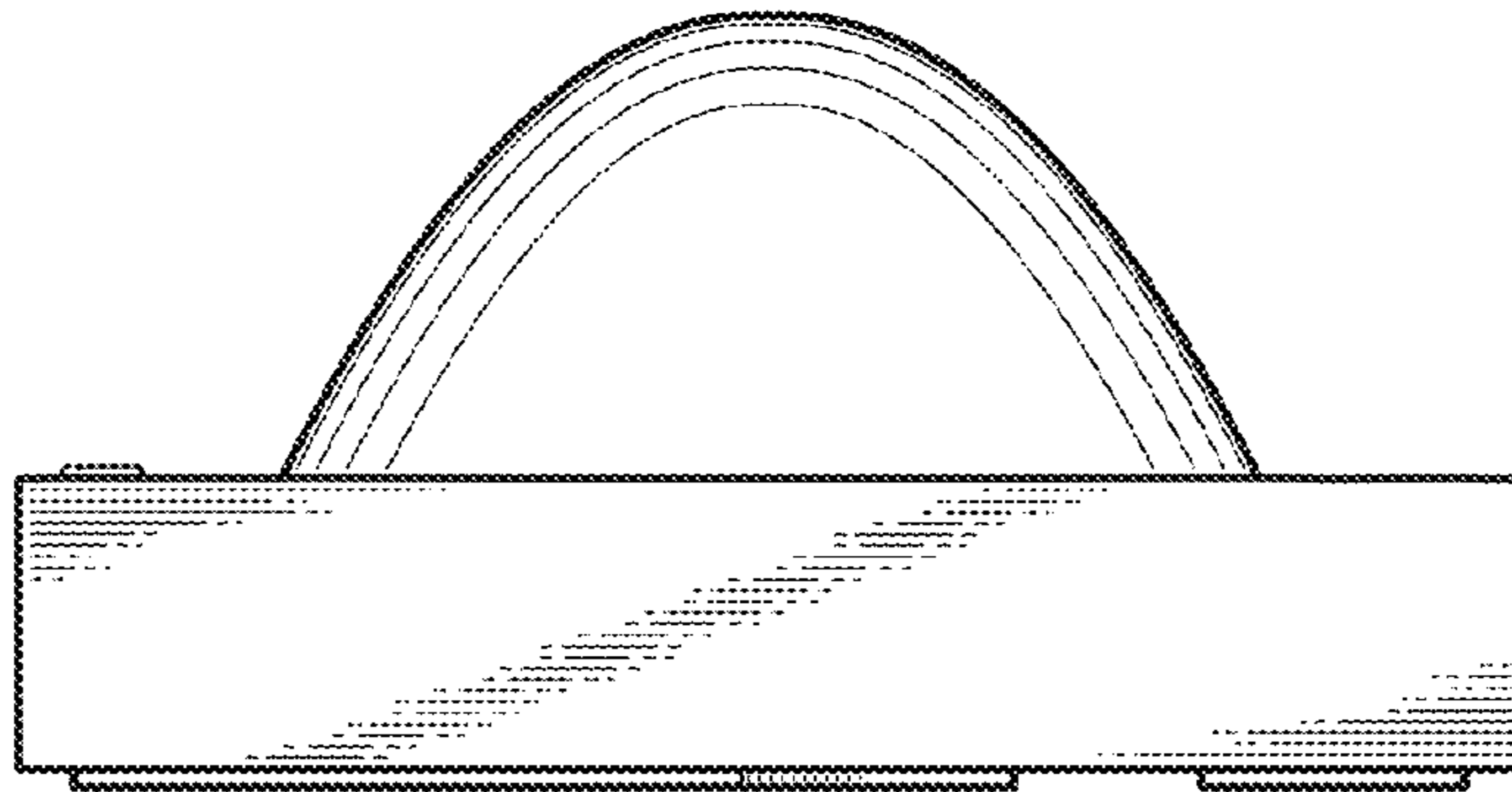


FIG. 9

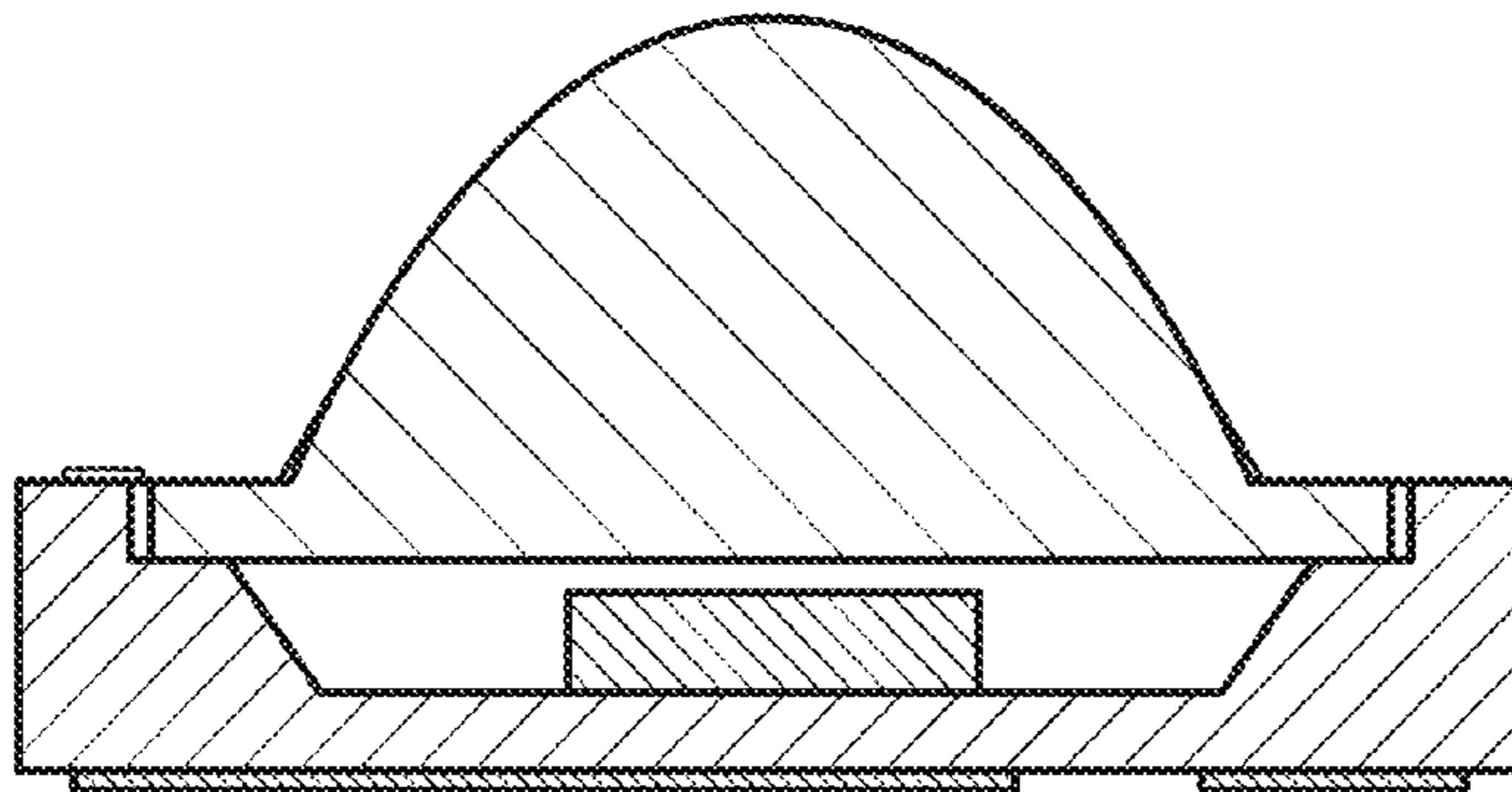


FIG. 10