



US00D705950S

(12) **United States Design Patent**
Walsh

(10) **Patent No.:** **US D705,950 S**
(45) **Date of Patent:** **** May 27, 2014**

(54) **LITE FOR DOORS AND ENTRYWAYS**

(71) Applicant: **Masonite Corporation**, Tampa, FL (US)

(72) Inventor: **Jason Walsh**, Batavia, IL (US)

(73) Assignee: **Masonite Corporation**, Tampa, FL (US)

(**) Term: **14 Years**

(21) Appl. No.: **29/434,039**

(22) Filed: **Oct. 9, 2012**

Related U.S. Application Data

(62) Division of application No. 29/409,476, filed on Dec. 23, 2011, now Pat. No. Des. 668,791.

(51) **LOC (10) Cl.** **25-01**

(52) **U.S. Cl.**
USPC **D25/110**

(58) **Field of Classification Search**
USPC D25/103, 110, 111, 106; 428/34, 38;
52/204.59

See application file for complete search history.

(56) **References Cited**

U.S. PATENT DOCUMENTS

286,434 A 10/1883 Herzog
D41,286 S * 4/1911 McQuinn D25/110

1,612,054 A 12/1926 Rez
1,678,439 A 7/1928 Le Roy
4,619,850 A 10/1986 Charlton
D336,139 S 6/1993 Wilkening et al.
D402,047 S * 12/1998 Sadovenko D25/111
6,185,883 B1 2/2001 Howard
D478,674 S 8/2003 Lamberts
D482,132 S 11/2003 Alexander
D488,565 S 4/2004 Bresciani
6,736,534 B1 5/2004 Fite

* cited by examiner

Primary Examiner — Doris Clark

(74) *Attorney, Agent, or Firm* — Berenato & White, LLC

(57) **CLAIM**

The ornamental design for a lite for doors and entryways, as shown and described.

DESCRIPTION

FIG. 1 is a front elevational view of my design;
FIG. 2 is a front elevational view of a second embodiment;
FIG. 3 is a front elevational view of a third embodiment;
FIG. 4 is a front elevational view of a fourth embodiment;
FIG. 5 is a front elevational view of a fifth embodiment; and,
FIG. 6 is a front elevational view of a sixth embodiment.
The rear elevational view of each of FIGS. 1-6 is a mirror image thereof.

1 Claim, 6 Drawing Sheets

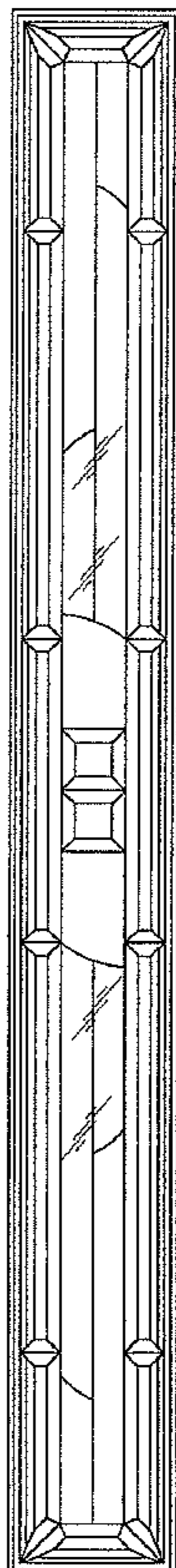


Fig. 1

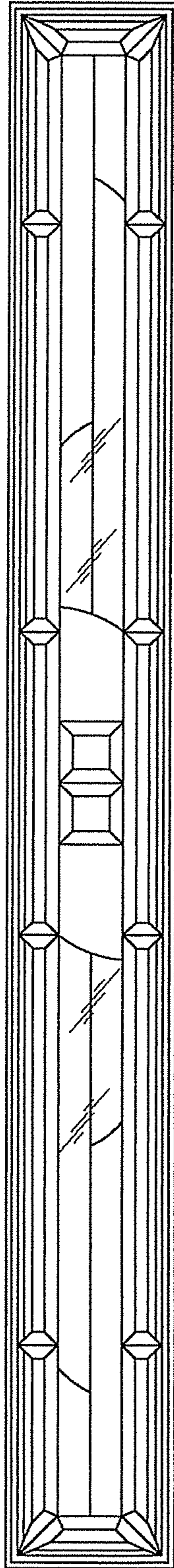


Fig. 2

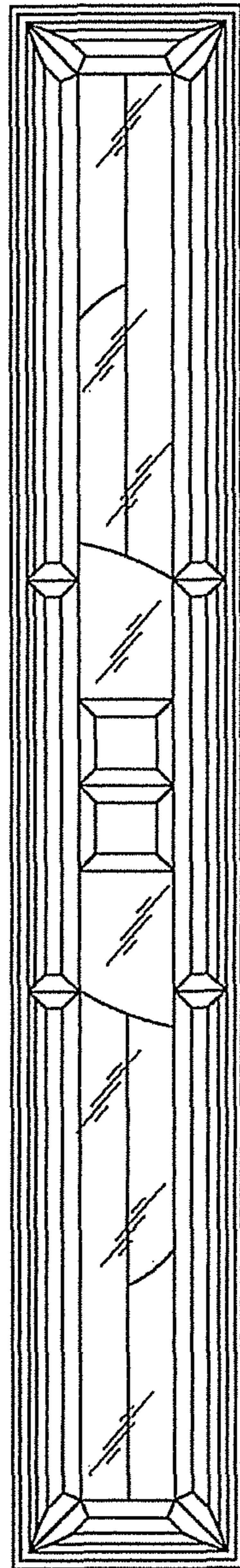


Fig. 3

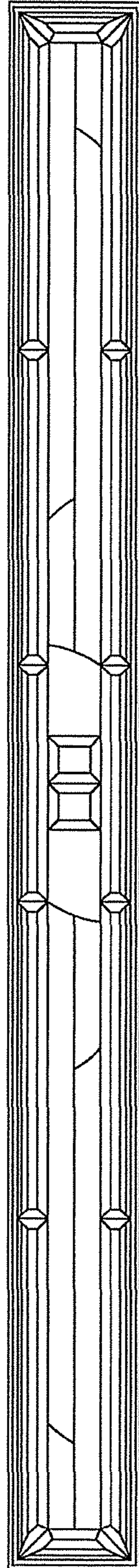


Fig. 4

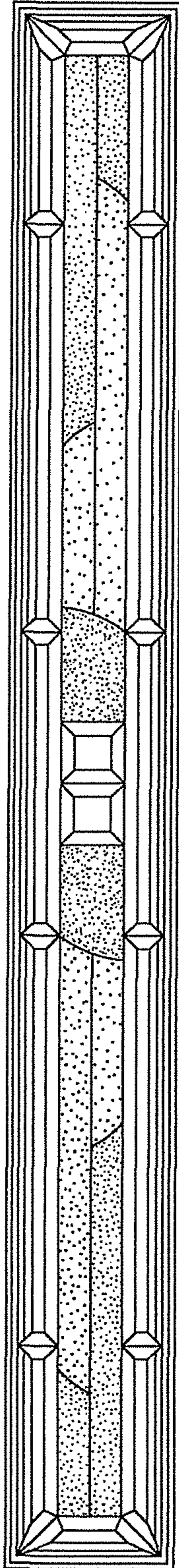


Fig. 5

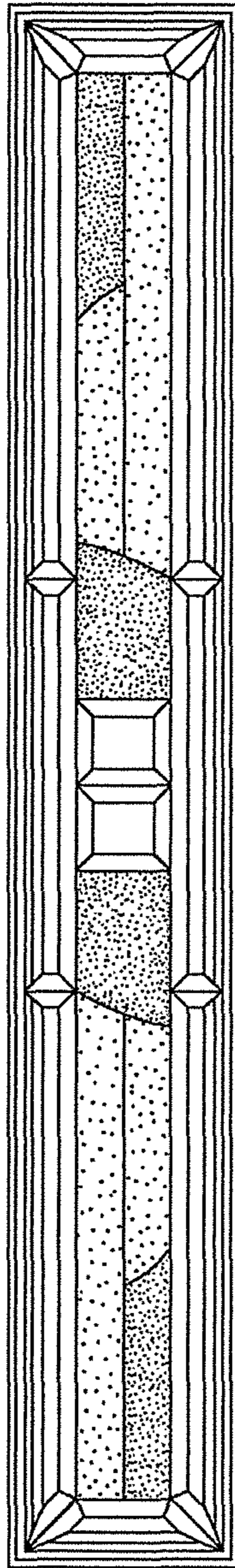


Fig. 6

