



US00D705943S

(12) **United States Design Patent**
Chang et al.

(10) **Patent No.:** **US D705,943 S**

(45) **Date of Patent:** **** May 27, 2014**

(54) **ANALYSIS SYSTEM**

(71) Applicant: **Cepheid**, Sunnyvale, CA (US)

(72) Inventors: **Ron Chang**, Sunnyvale, CA (US);
Steven M. Montgomery, Sunnyvale, CA
(US); **Gregory E. Mote**, Sunnyvale, CA
(US)

(73) Assignee: **CEPHEID**, Sunnyvale, CA (US)

(**) Term: **14 Years**

(21) Appl. No.: **29/453,804**

(22) Filed: **May 2, 2013**

Related U.S. Application Data

(62) Division of application No. 29/412,453, filed on Feb. 3, 2012, now Pat. No. Des. 684,270.

(51) **LOC (10) Cl.** **24-01**

(52) **U.S. Cl.**
USPC **D24/216**

(58) **Field of Classification Search**
USPC D24/216, 217, 219, 223, 231, 232, 233,
D24/107, 169, 186; D10/81; 422/500, 547,
422/62-65, 67; 435/287.1, 287.3; 436/43,
436/45, 47

See application file for complete search history.

(56) **References Cited**

U.S. PATENT DOCUMENTS

D356,967 S *	4/1995	Takekoshi et al.	D10/81
D599,688 S *	9/2009	Ito	D10/81
D638,952 S *	5/2011	Oonuma et al.	D24/216
D657,068 S *	4/2012	Shibata	D24/216
D681,845 S *	5/2013	Matsuguma	D24/232
D687,561 S *	8/2013	Iseki	D24/216
D689,621 S *	9/2013	Morrow et al.	D24/232

* cited by examiner

Primary Examiner — Anhdao Doan

(74) *Attorney, Agent, or Firm* — Kilpatrick Townsend & Stockton LLP

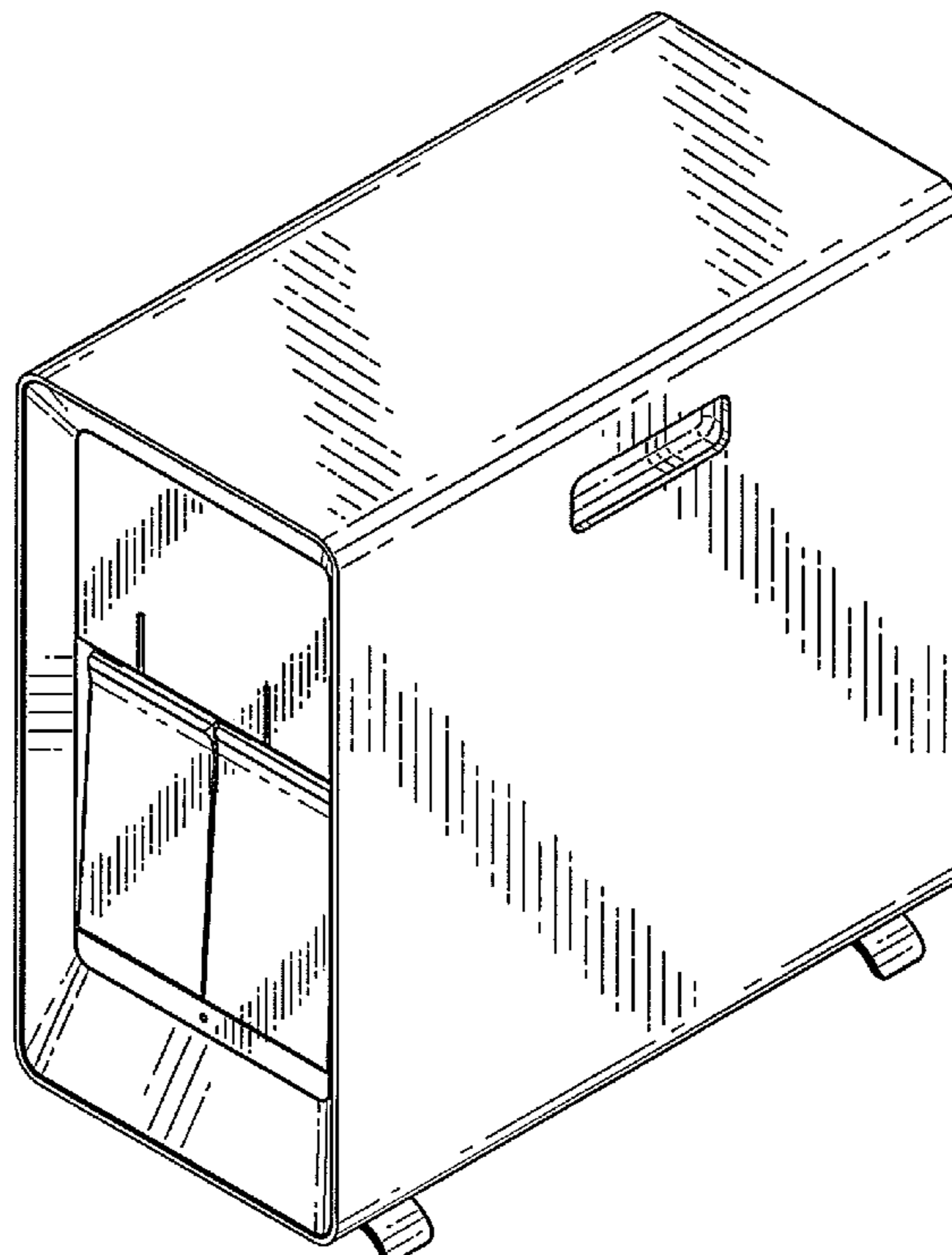
(57) **CLAIM**

The ornamental design for an analysis system, as shown and described.

DESCRIPTION

FIG. 1 is a front perspective view of an analysis system showing our new design;
FIG. 2 is a rear perspective view thereof;
FIG. 3 is a front elevational view thereof;
FIG. 4 is a rear elevational view thereof;
FIG. 5 is a top plan view thereof;
FIG. 6 is a bottom plan view thereof;
FIG. 7 is a left side elevational view thereof; and,
FIG. 8 is a right side elevational view thereof.
The portions shown in broken lines form no part of the claimed design.

1 Claim, 4 Drawing Sheets



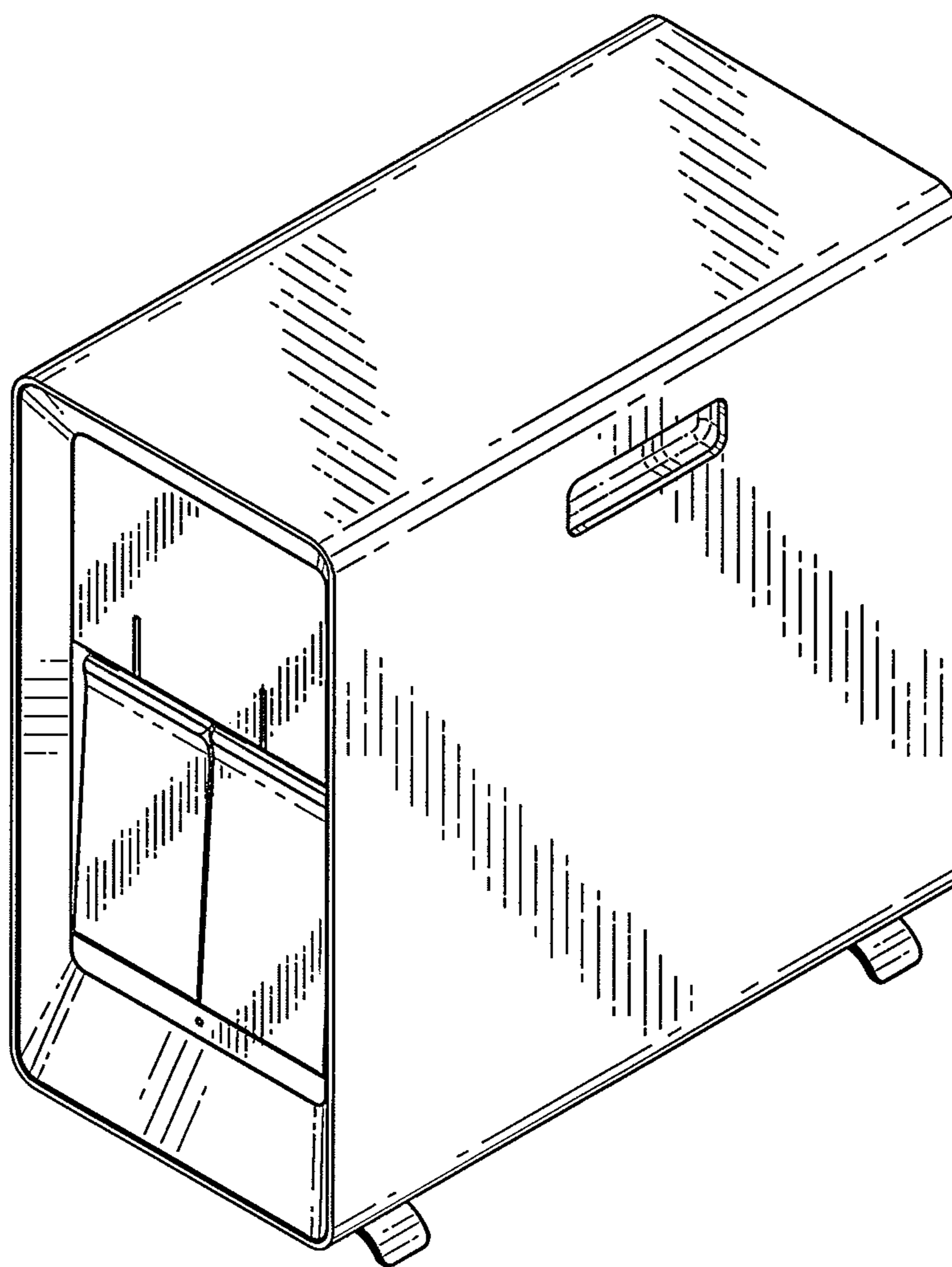


FIG. 1

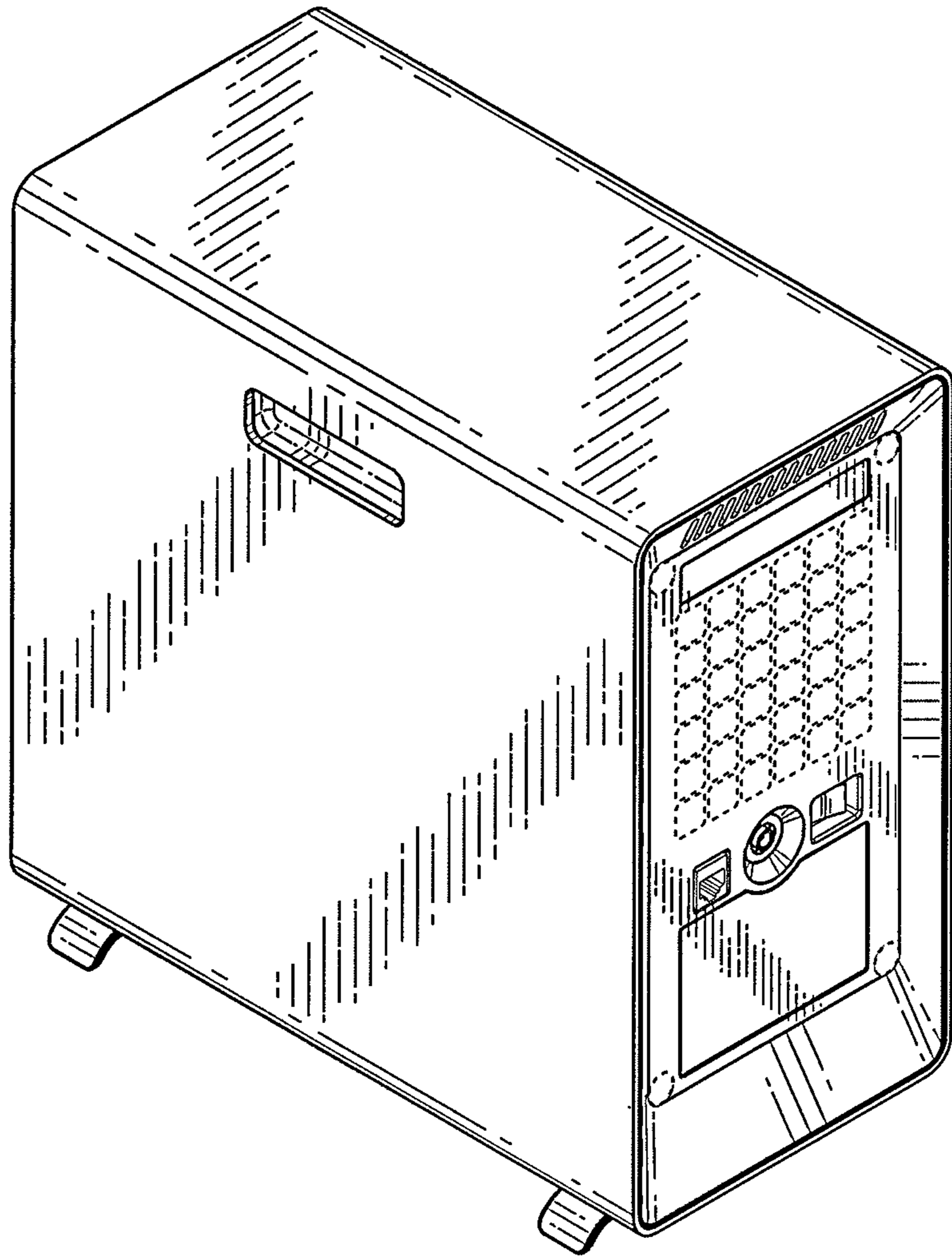


FIG. 2

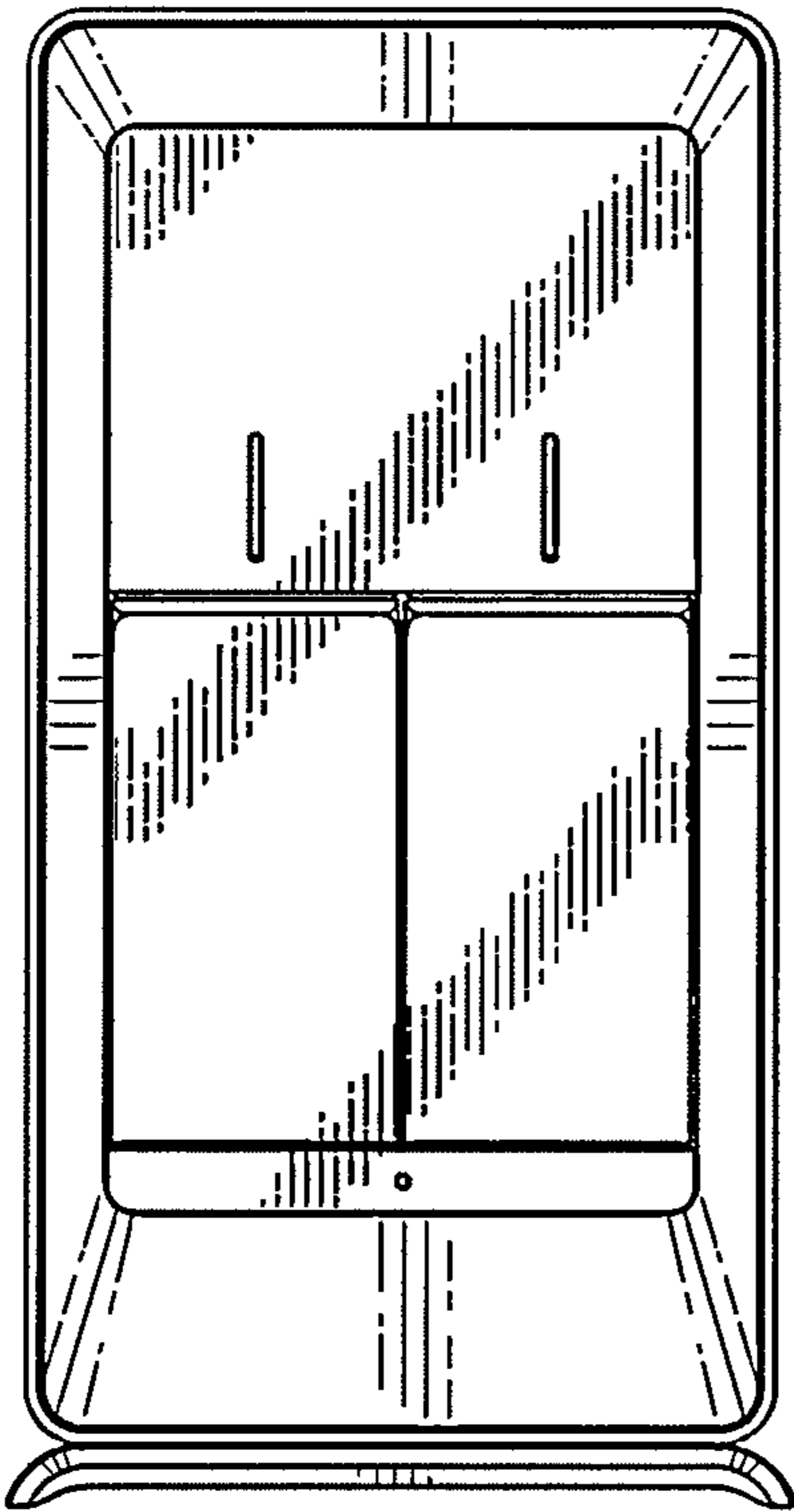


FIG. 3

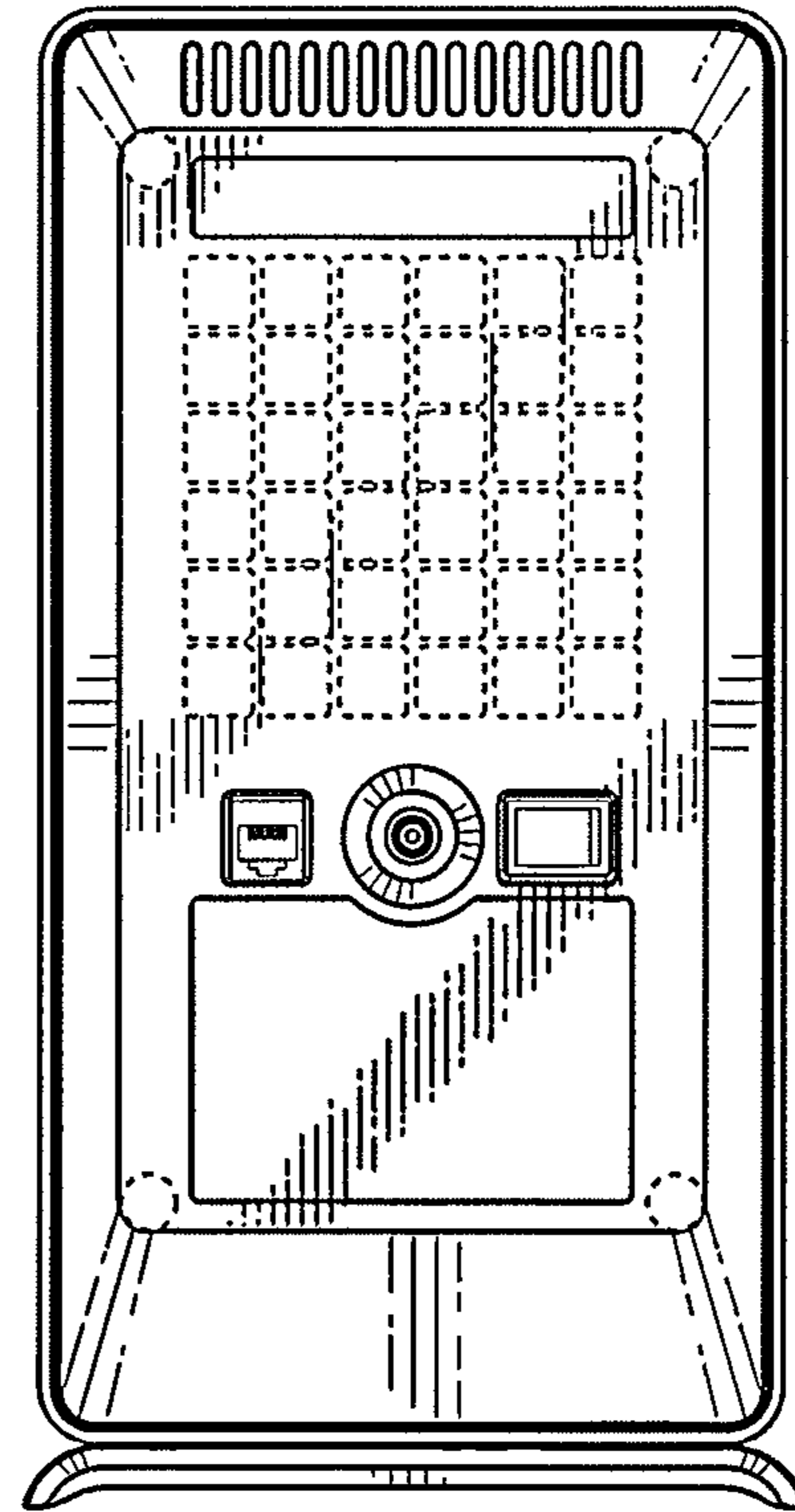


FIG. 4

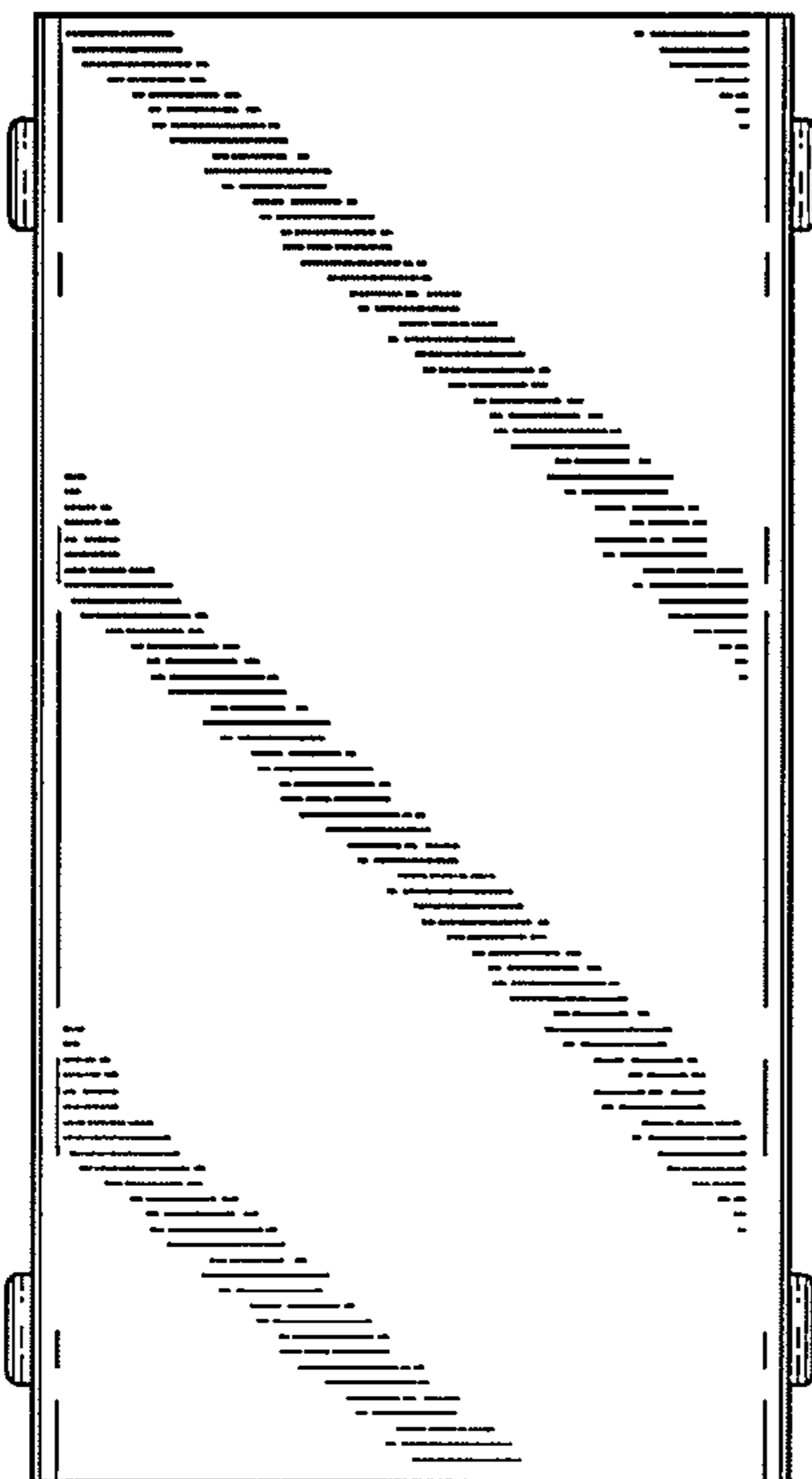


FIG. 5

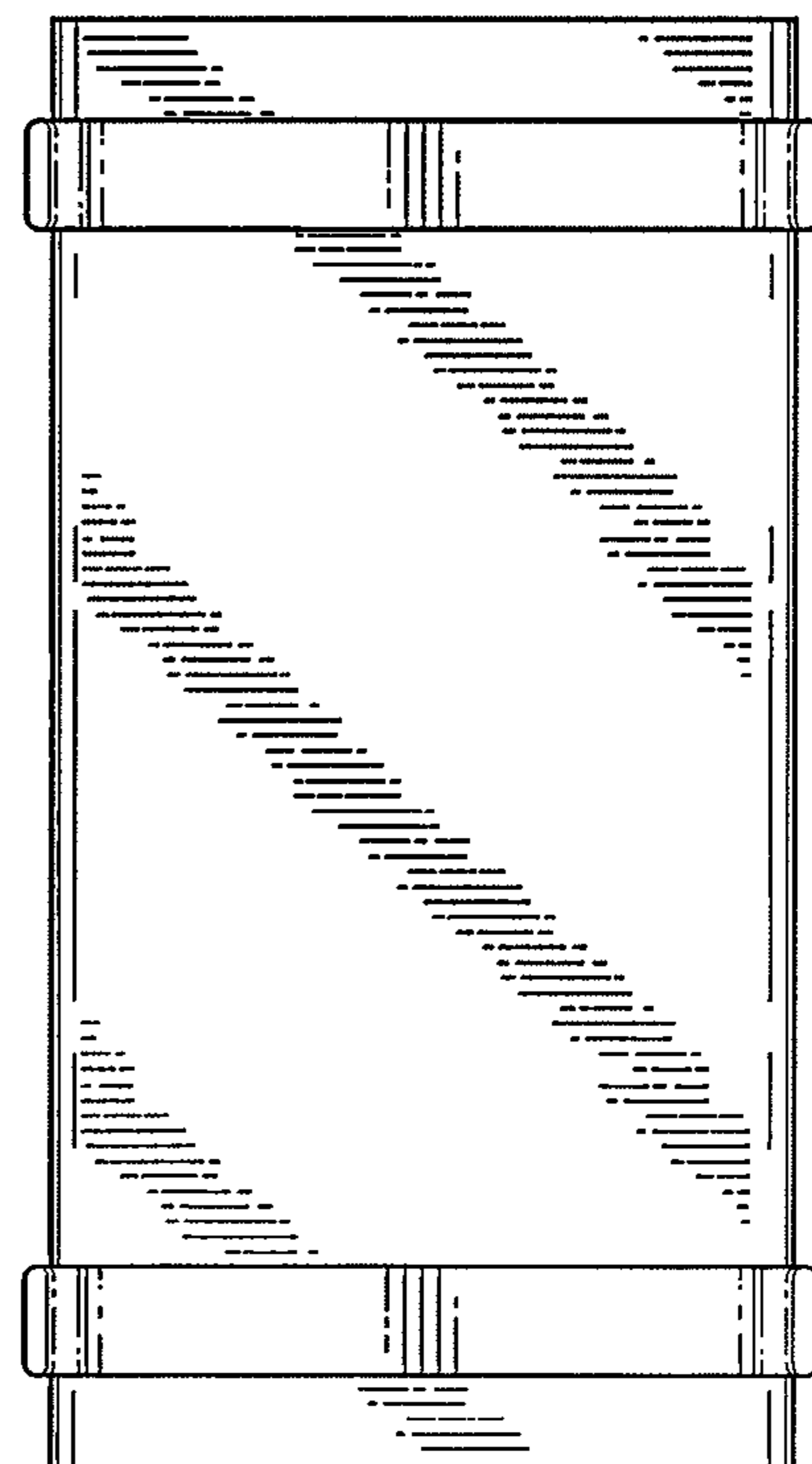


FIG. 6

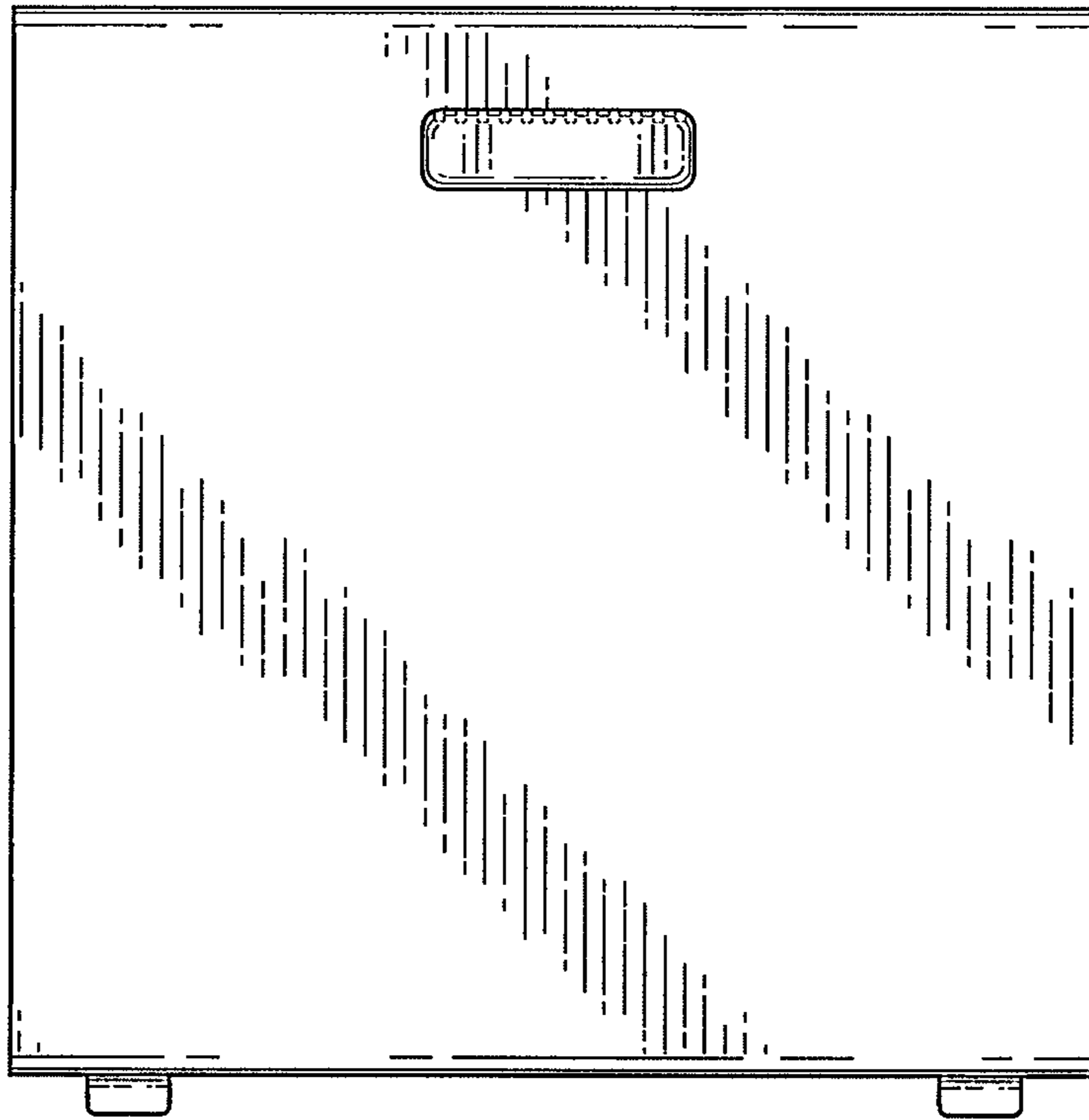


FIG. 7

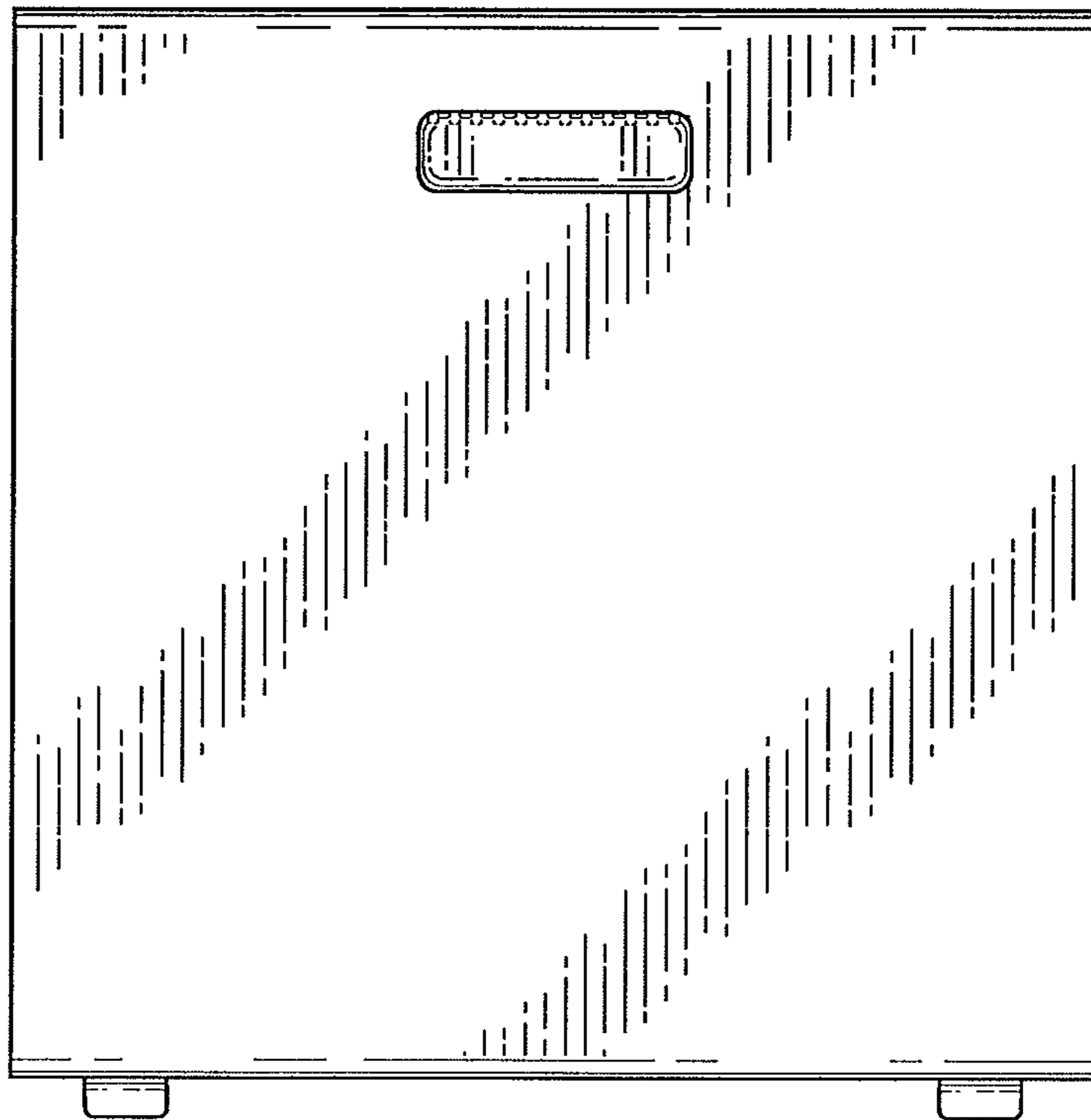


FIG. 8