



US00D705925S

(12) **United States Design Patent**
Murray et al.

(10) **Patent No.:** **US D705,925 S**
(45) **Date of Patent:** **** May 27, 2014**

(54) **COMPACT CATHETER PACKAGE**
(71) Applicant: **Hollister Incorporated**, Libertyville, IL (US)
(72) Inventors: **Michael G. Murray**, Ballina (IE); **Eugene Canavan**, Bray (IE); **James Jackson**, Dublin (IE); **Adam J. Foley**, Ballina (IE)
(73) Assignee: **Hollister Incorporated**, Libertyville, IL (US)
(**) Term: **14 Years**

5,370,624 A	12/1994	Edwards et al.	
5,653,700 A	8/1997	Byrne et al.	
6,368,317 B2	4/2002	Chang	
6,419,699 B1	7/2002	Schuessler	
6,579,267 B2	6/2003	Lynch et al.	
6,689,142 B1	2/2004	Tremaglio, Jr. et al.	
7,083,597 B2	8/2006	Lynch et al.	
7,204,826 B2	4/2007	Tremaglio et al.	
7,311,698 B2	12/2007	Tanghoj et al.	
7,569,034 B2	8/2009	Lynch et al.	
7,682,353 B2	3/2010	Tanghoj et al.	
7,766,878 B2	8/2010	Tremaglio, Jr. et al.	
7,780,637 B2 *	8/2010	Jerde et al.	604/192
7,862,545 B2	1/2011	Lynch et al.	
7,867,220 B2 *	1/2011	Tanghoj	604/544
8,066,693 B2	11/2011	Tanghoj et al.	
8,230,993 B2 *	7/2012	Tanghoej	206/210

(Continued)

(21) Appl. No.: **29/449,282**

(22) Filed: **Mar. 14, 2013**

(51) **LOC (10) Cl.** **24-02**

(52) **U.S. Cl.**
USPC **D24/112**

(58) **Field of Classification Search**
USPC D24/112-114, 130, 127, 133, 186, 108;
606/181, 185; 604/192, 544, 264, 272,
604/115, 164.01-164.09, 533, 232, 187,
604/168.01, 19, 48, 93.01, 523, 524, 526;
600/101, 139, 143; 128/200.24,
128/207.14, 207.15; D9/414
See application file for complete search history.

FOREIGN PATENT DOCUMENTS

EP	0699086 B1	7/1997
GB	2150836 A	7/1985
GB	2278285 A	11/1994
WO	WO 03/002179 A2	1/2003

Primary Examiner — David Muller

(74) *Attorney, Agent, or Firm* — Cook Alex Ltd.

(57) **CLAIM**

The ornamental design for a compact catheter package, as shown and described.

DESCRIPTION

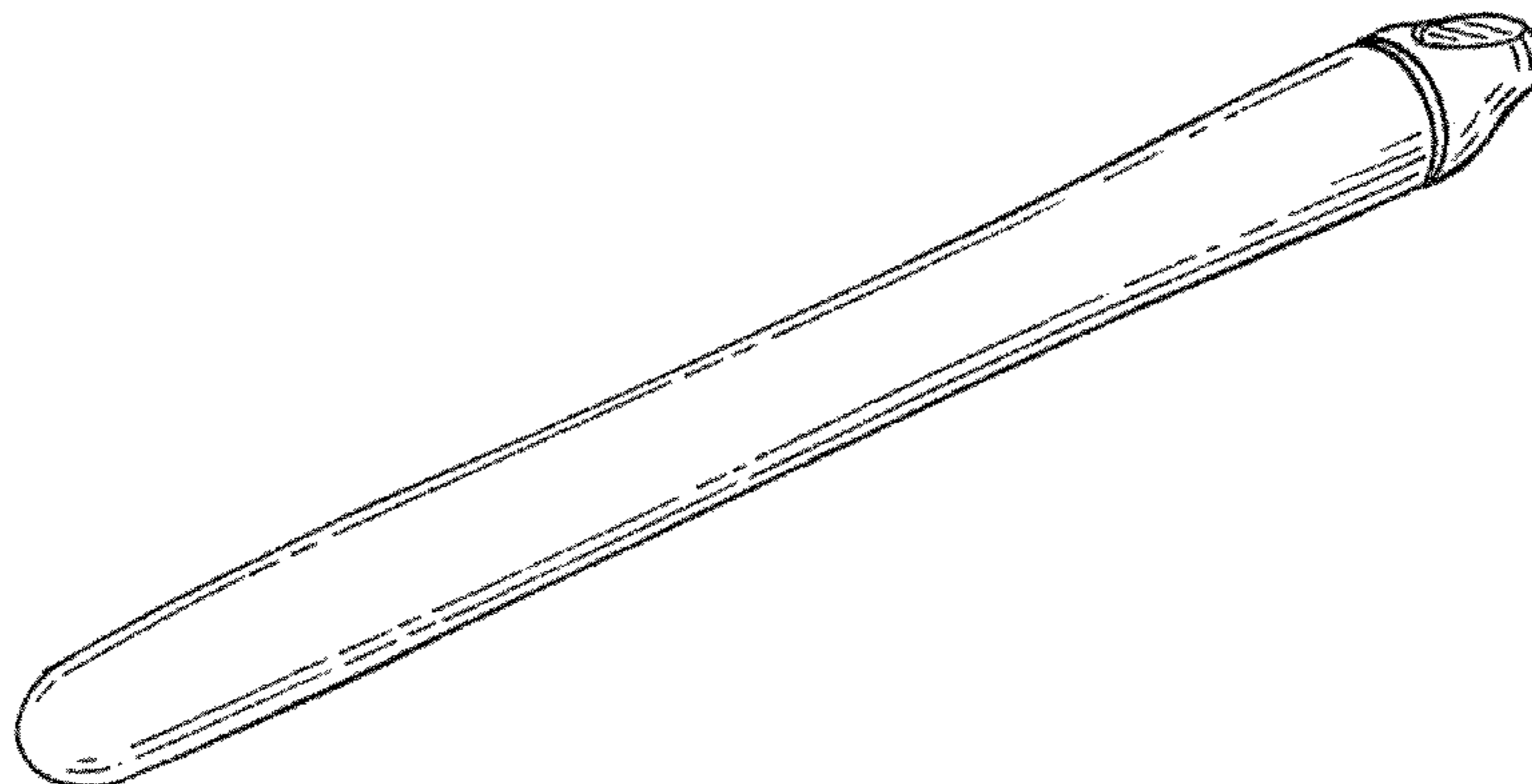
FIG. 1 is a perspective view of a compact catheter package, showing the new design;
FIG. 2 is a front elevational view thereof. The back elevational view being a mirror image thereof;
FIG. 3 is right side elevational view thereof. The left side elevational view being a mirror image thereof;
FIG. 4 is a top plan view thereof; and,
FIG. 5 is a bottom plan view thereof.

1 Claim, 1 Drawing Sheet

(56) **References Cited**

U.S. PATENT DOCUMENTS

3,323,523 A *	6/1967	Scislowicz et al.	604/162
3,333,682 A *	8/1967	Burke	604/263
4,126,133 A	11/1978	Schwartz	
4,311,136 A	1/1982	Weikl et al.	
4,636,201 A *	1/1987	Ambrose et al.	604/263
4,782,841 A *	11/1988	Lopez	604/263
5,232,455 A *	8/1993	Hollister	604/192
5,242,416 A *	9/1993	Hutson	604/192
5,338,303 A *	8/1994	King et al.	604/192



(56)

References Cited

U.S. PATENT DOCUMENTS

8,348,902 B2 * 1/2013 Sugita et al. 604/192
8,366,669 B2 * 2/2013 Timothy Donald et al. .. 604/136
8,398,615 B2 * 3/2013 Torstensen et al. 604/544
2003/0004496 A1 1/2003 Tanghoj

2004/0116867 A1 6/2004 Sternby
2006/0142737 A1 6/2006 Tanghoj
2010/0204682 A1 8/2010 Tanghoj et al.
2011/0060317 A1 3/2011 Frojd
2011/0184359 A1 7/2011 Dougherty

* cited by examiner

FIG. 1

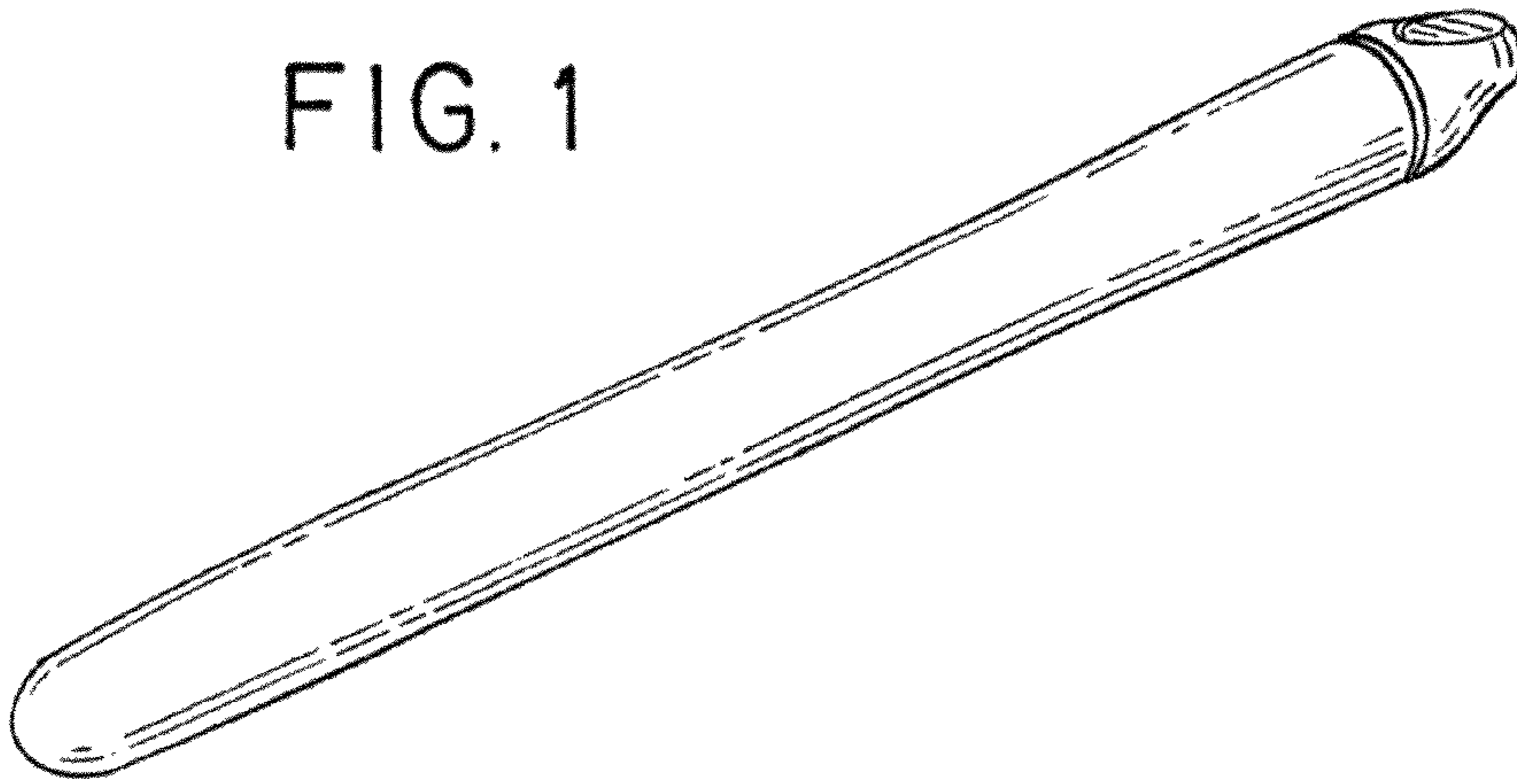


FIG. 2

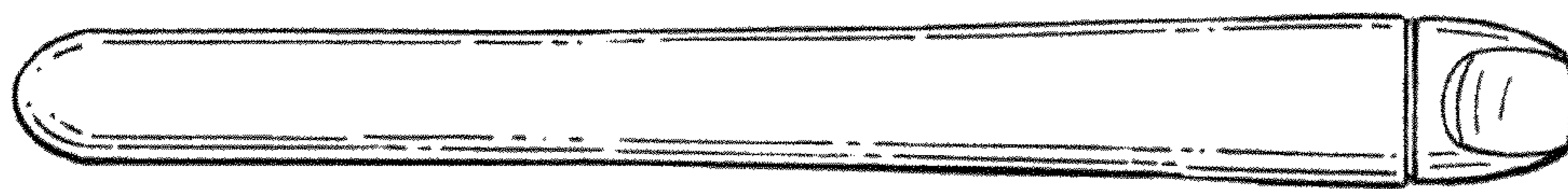


FIG. 3

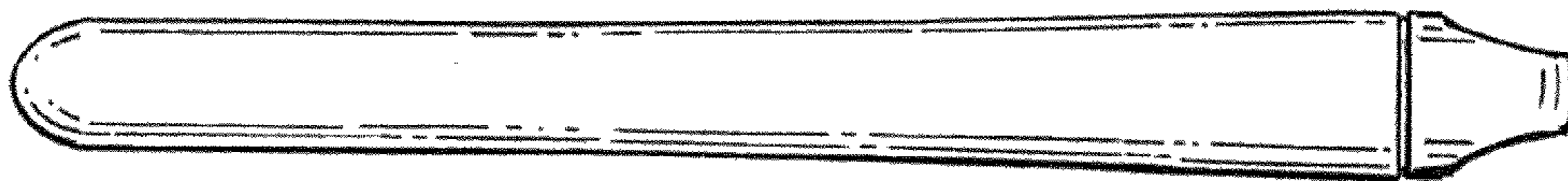


FIG. 4



FIG. 5

