



US00D705923S

(12) **United States Design Patent**
Wang

(10) **Patent No.:** **US D705,923 S**

(45) **Date of Patent:** **** May 27, 2014**

(54) **FAN BLADE BRACKET**

(75) Inventor: **Cliff Wang**, Taichung (TW)

(73) Assignee: **Air Cool Industrial Co., Ltd.**, Taichung (TW)

(**) Term: **14 Years**

(21) Appl. No.: **29/429,514**

(22) Filed: **Aug. 13, 2012**

(51) **LOC (10) Cl.** **23-04**

(52) **U.S. Cl.**
USPC **D23/411**

(58) **Field of Classification Search**

CPC F04D 25/088; F04D 29/34; F04D 29/322;
F04D 29/384; F01D 5/3015; F01D 5/323;
F01D 5/30; F01D 25/28; F05D 2250/70;
F05D 2240/80; F24F 2221/14; B63H 1/20;
F21V 21/104; F21V 33/0096
USPC D23/411-414, 324, 331, 343, 385,
D23/370-384, 387, 499; D8/323, 327, 349,
D8/354, 373, 380-387, 394, 397, 398;
D11/78.1, 86; 16/265, 382, 388, 389;
392/364; 248/188, 243, 4, 398; 310/91,
310/348; 416/5, 170 R, 214 R, 184, 206,
416/207, 210 R, 220 R, 244 R, 248

See application file for complete search history.

(56) **References Cited**

U.S. PATENT DOCUMENTS

D382,955 S	*	8/1997	Liu	D23/411
D450,831 S	*	11/2001	Hsieh	D23/377
D483,105 S	*	12/2003	Hsieh	D23/377
D483,464 S	*	12/2003	Tai	D23/377
D483,848 S	*	12/2003	Tai	D23/377
D483,850 S	*	12/2003	Tai	D23/377
D514,220 S	*	1/2006	Tai	D23/411
D518,887 S	*	4/2006	Tai	D23/411
D522,133 S	*	5/2006	Florez	D23/411

D531,305 S	*	10/2006	Glasbrenner	D23/411
D545,422 S	*	6/2007	Glasbrenner	D23/377
D546,439 S	*	7/2007	Glasbrenner	D23/411
D548,323 S	*	8/2007	Lee	D23/411
D554,251 S	*	10/2007	Shurtleff	D23/411
D562,969 S	*	2/2008	Pickett	D23/411
D564,652 S	*	3/2008	Pan	D23/411
D565,724 S	*	4/2008	Hidalgo	D23/411
D569,964 S	*	5/2008	Ertze	D23/411
7,384,242 B2	*	6/2008	Ming	416/210 R
D572,815 S	*	7/2008	Hidalgo	D23/411
D582,030 S	*	12/2008	Pickett	D23/411
D594,541 S	*	6/2009	Pan	D23/377
D594,543 S	*	6/2009	Pan	D23/377
D595,404 S	*	6/2009	Pan	D23/411
D597,655 S	*	8/2009	Hidalgo	D23/411
D626,213 S	*	10/2010	Shurtleff	D23/411
D630,722 S	*	1/2011	Pickett	D23/411
D637,708 S	*	5/2011	Pickett	D23/411
D679,797 S	*	4/2013	Chen	D23/411

* cited by examiner

Primary Examiner — Susan Bennett Hattan

Assistant Examiner — Marie Fast Horse

(74) *Attorney, Agent, or Firm* — Ming Chow; Sinorica, LLC

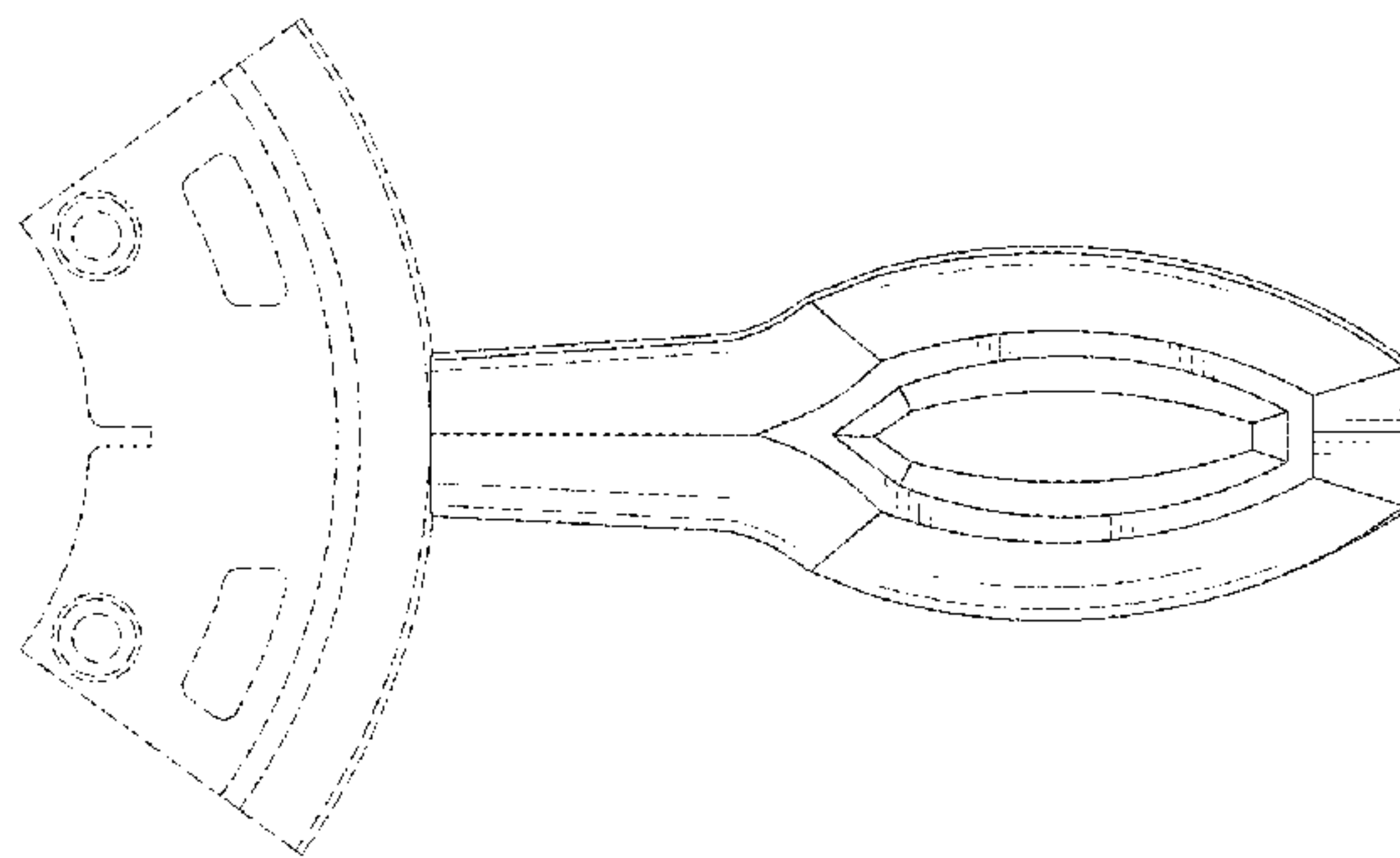
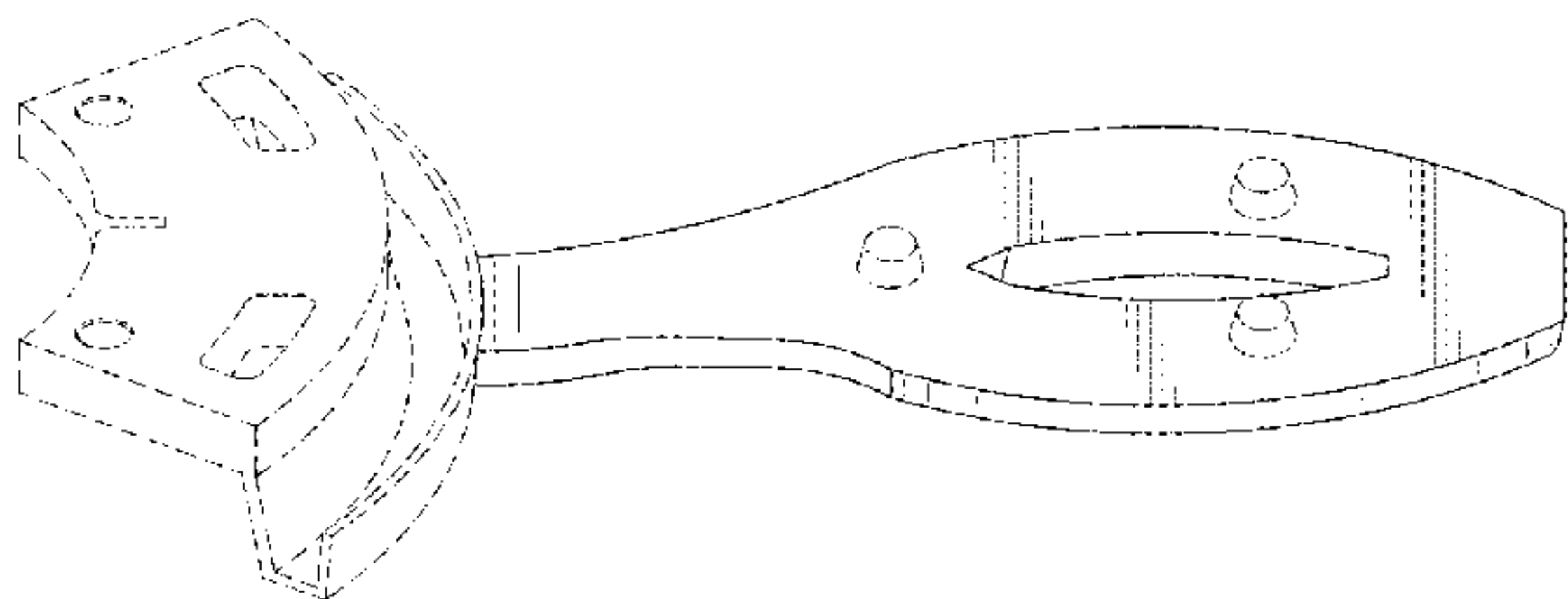
(57) **CLAIM**

I claim the ornamental design for a fan blade bracket, as shown and described.

DESCRIPTION

FIG. 1 is a front perspective view of a fan blade bracket showing my new design;
FIG. 2 is a front elevational view thereof;
FIG. 3 is a rear elevational view thereof.
FIG. 4 is a left side elevational view thereof;
FIG. 5 is a right side elevational view thereof;
FIG. 6 is a top plan view thereof; and,
FIG. 7 is a bottom plan view thereof.
The broken lines in the drawings depict environmental subject matter only and form no part of the claimed design.

1 Claim, 5 Drawing Sheets



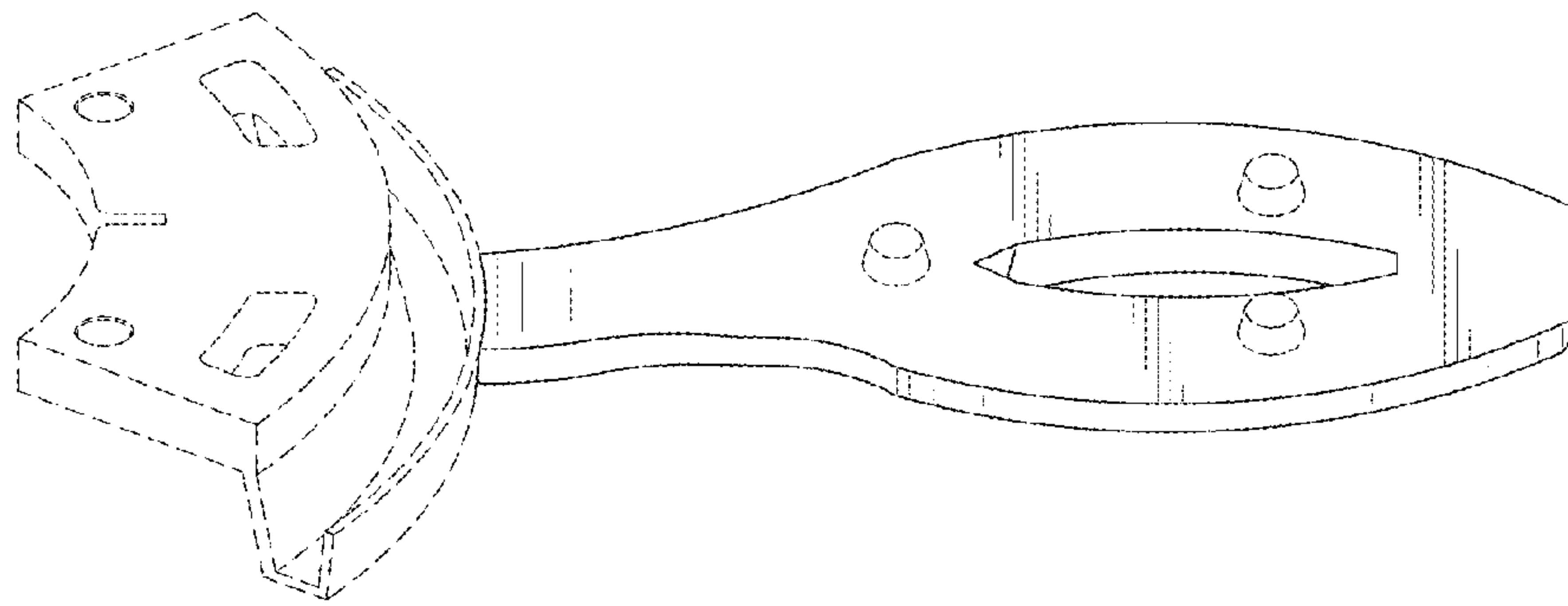


FIG. 1

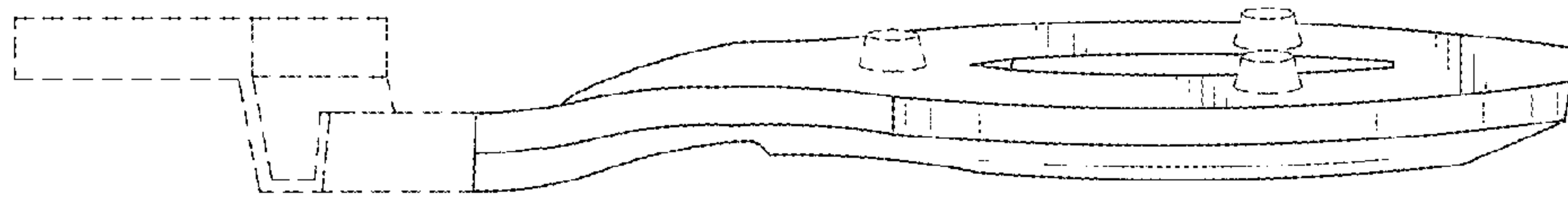


FIG. 2

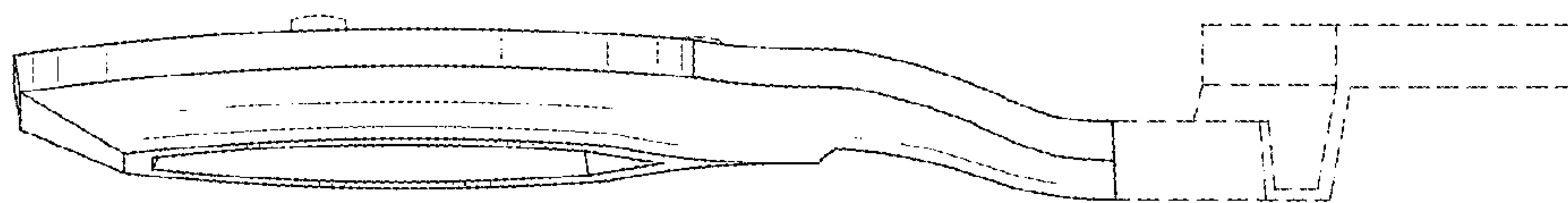


FIG. 3

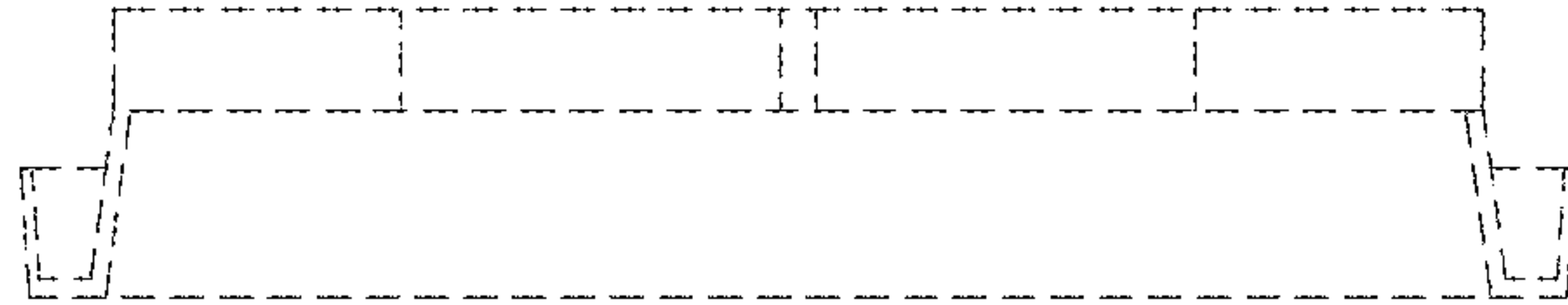


FIG. 4

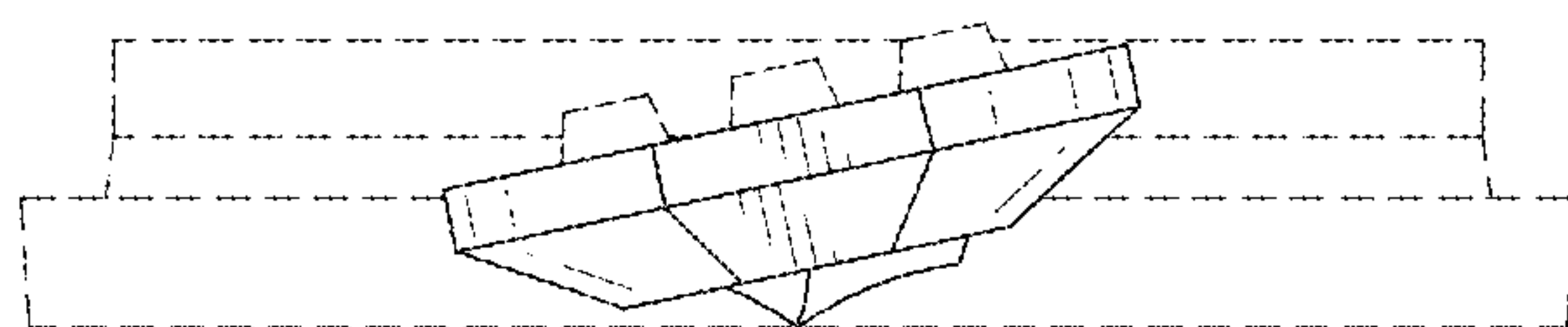


FIG. 5

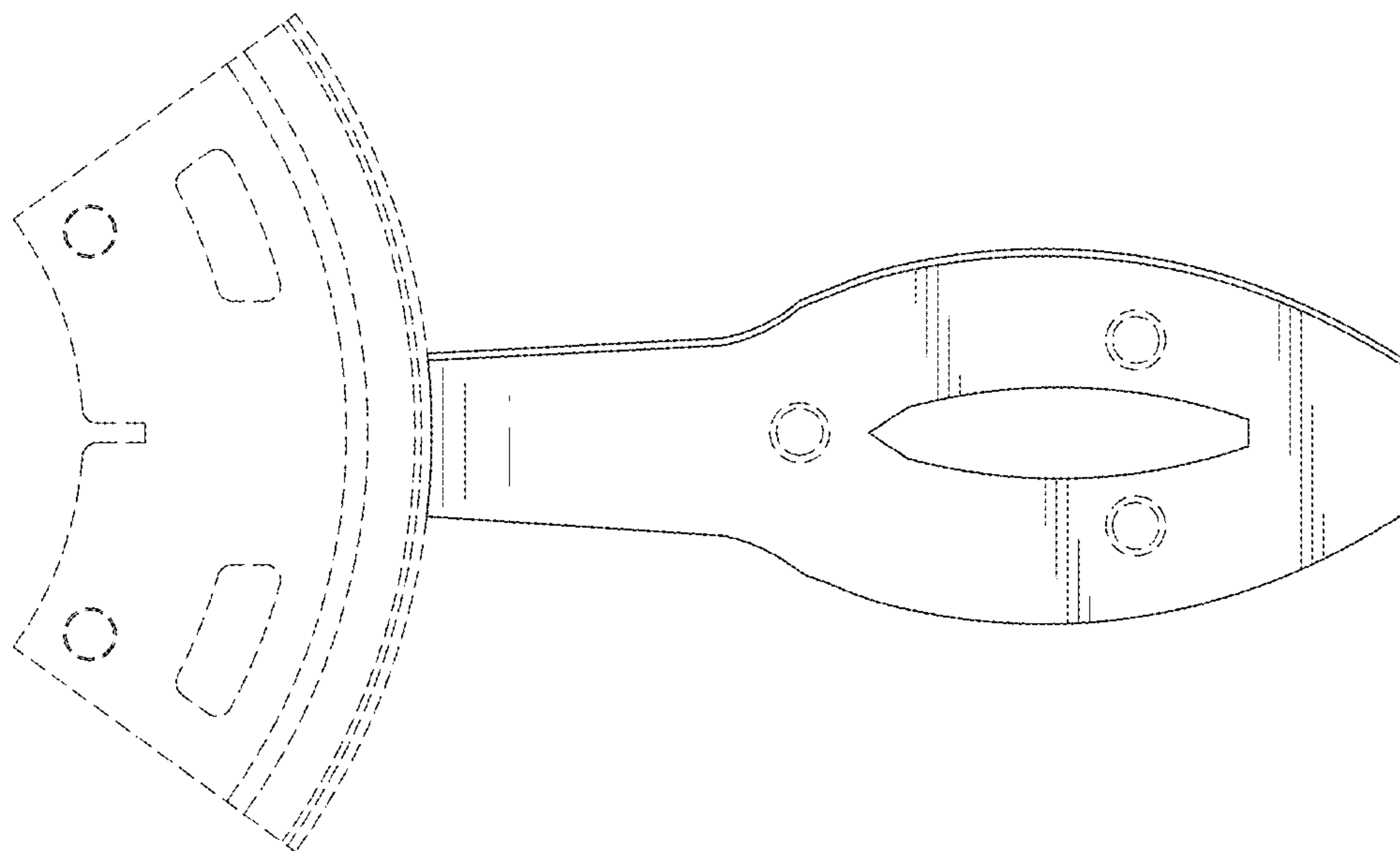


FIG. 6

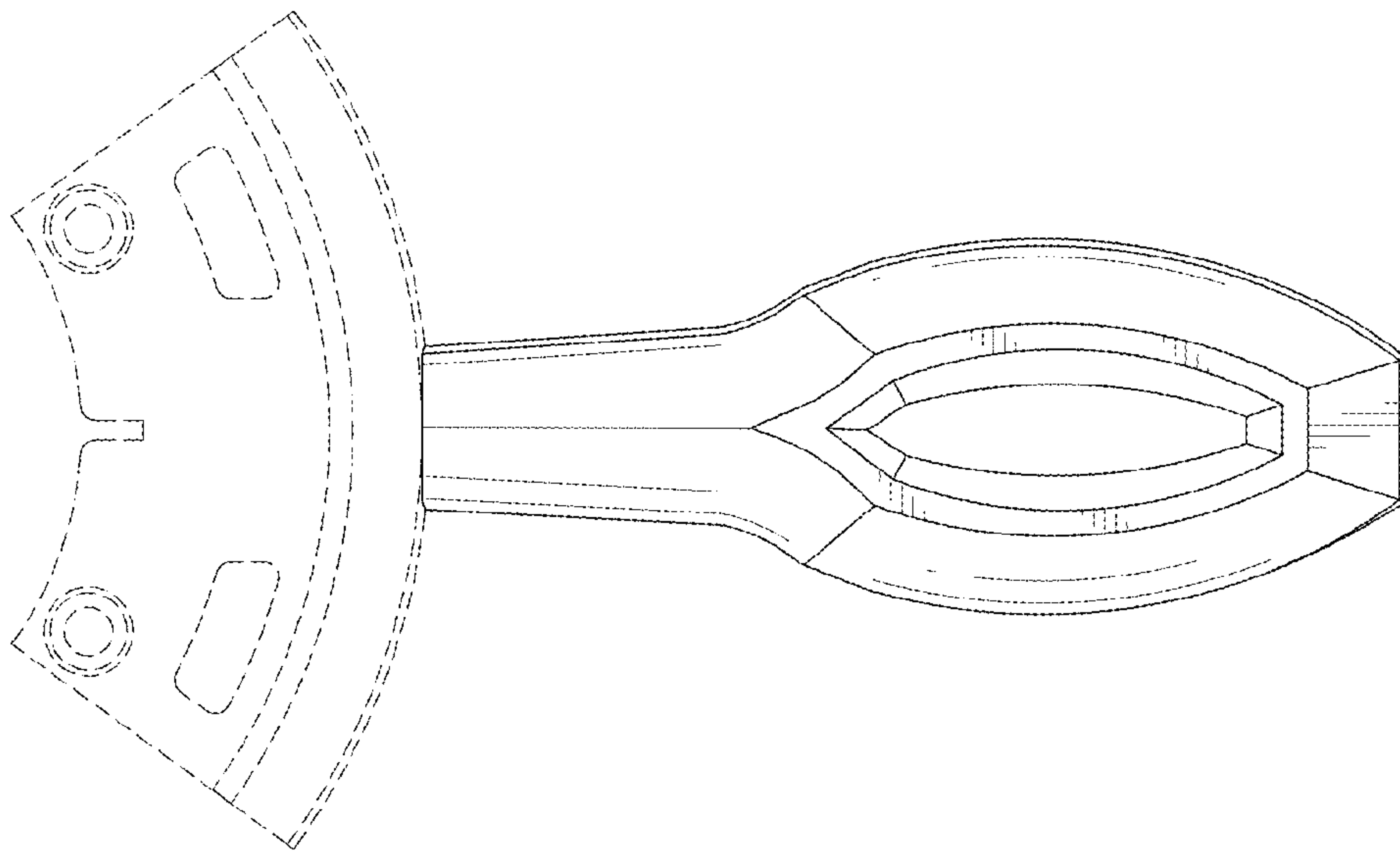


FIG. 7