



US00D705922S

(12) **United States Design Patent**
Wang

(10) **Patent No.:** **US D705,922 S**

(45) **Date of Patent:** **** May 27, 2014**

(54) **FAN BLADE BRACKET**

(75) Inventor: **Cliff Wang**, Taichung (TW)

(73) Assignee: **Air Cool Industrial Co., Ltd.**, Taichung (TW)

(**) Term: **14 Years**

(21) Appl. No.: **29/428,608**

(22) Filed: **Aug. 1, 2012**

(51) **LOC (10) Cl.** **23-04**

(52) **U.S. Cl.**

USPC **D23/411**

(58) **Field of Classification Search**

CPC F04D 25/088; F04D 29/34; F04D 29/322;
F04D 29/384; F01D 5/3015; F01D 5/323;
F01D 5/30; F01D 25/28; F05D 2250/70;
F05D 2240/80; F24F 2221/14; B63H 1/20;
F21V 21/104; F21V 33/0096

USPC D23/411-414, 324, 331, 343, 385,
D23/370-384, 387, 499; D8/323, 327, 349,
D8/354, 373, 380-387, 394, 397, 398;
D11/78.1, 86; 16/265, 382, 388, 389;
392/364; 248/188, 243, 4, 398; 310/91,
310/348; 416/5, 170 R, 214 R, 184, 206,
416/207, 210 R, 220 R, 244 R, 248

See application file for complete search history.

(56) **References Cited**

U.S. PATENT DOCUMENTS

2,058,341 A * 10/1936 Mink 16/265
D178,201 S * 7/1956 Meierjohan D8/327
3,181,905 A * 5/1965 Bisbing 292/109
D202,877 S * 11/1965 Morse et al. D8/401
3,466,076 A * 9/1969 Bisbing 292/109
D280,972 S * 10/1985 Leotta D8/331
D375,424 S * 11/1996 Burwick D6/492
D406,332 S * 3/1999 Liu D23/411

D411,094 S * 6/1999 Schultz D8/343
D411,797 S * 7/1999 Schultz D8/343
6,049,946 A * 4/2000 Cress et al. 16/240
D424,187 S * 5/2000 Lo D23/377
D442,847 S * 5/2001 Schultz et al. D8/343
D488,015 S * 4/2004 Brandon D6/510
D510,429 S * 10/2005 Tai D23/411
D522,129 S * 5/2006 Hidalgo D23/411
D525,700 S * 7/2006 Ertze D23/411
D532,104 S * 11/2006 Pickett D23/411
D535,739 S * 1/2007 Pan D23/411
D551,756 S * 9/2007 Ertze et al. D23/411
D552,008 S * 10/2007 McGarity D11/78.1
D568,983 S * 5/2008 Pan D23/411
D572,815 S * 7/2008 Hidalgo D23/411
D581,512 S * 11/2008 Hidalgo D23/411
D592,987 S * 5/2009 McGarity et al. D11/78.1
D599,469 S * 9/2009 Yang D23/411
D603,955 S * 11/2009 Patton D23/411
D614,758 S * 4/2010 Shurtleff D23/411

(Continued)

Primary Examiner — Susan Bennett Hattan

Assistant Examiner — Marie Fast Horse

(74) *Attorney, Agent, or Firm* — Ming Chow; Sinorica, LLC

(57) **CLAIM**

I claim the ornamental design for a fan blade bracket, as shown and described.

DESCRIPTION

FIG. 1 is a front perspective view of a fan blade bracket showing my new design;

FIG. 2 is a front elevational view thereof;

FIG. 3 is a rear elevational view thereof.

FIG. 4 is a left side elevational view thereof;

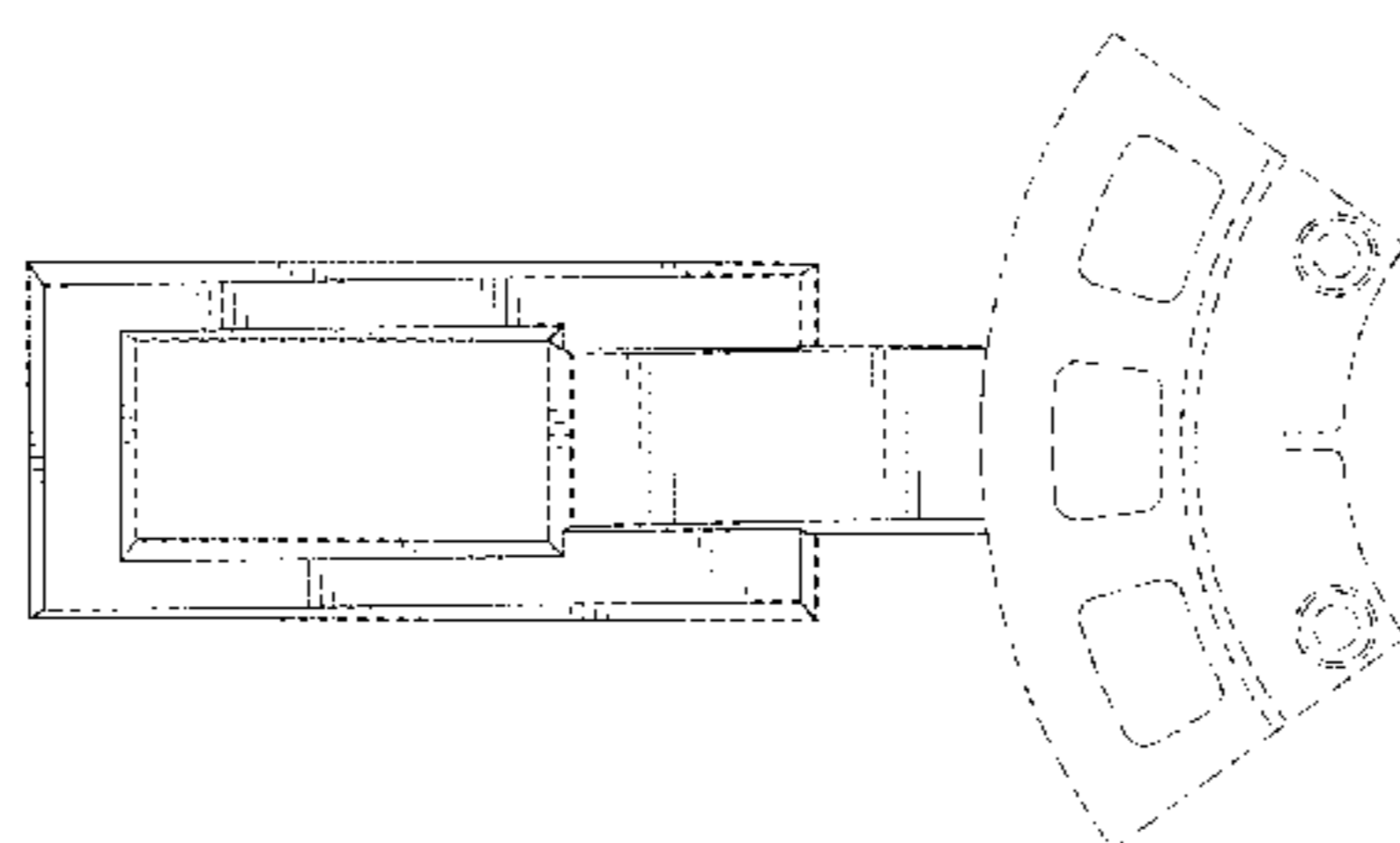
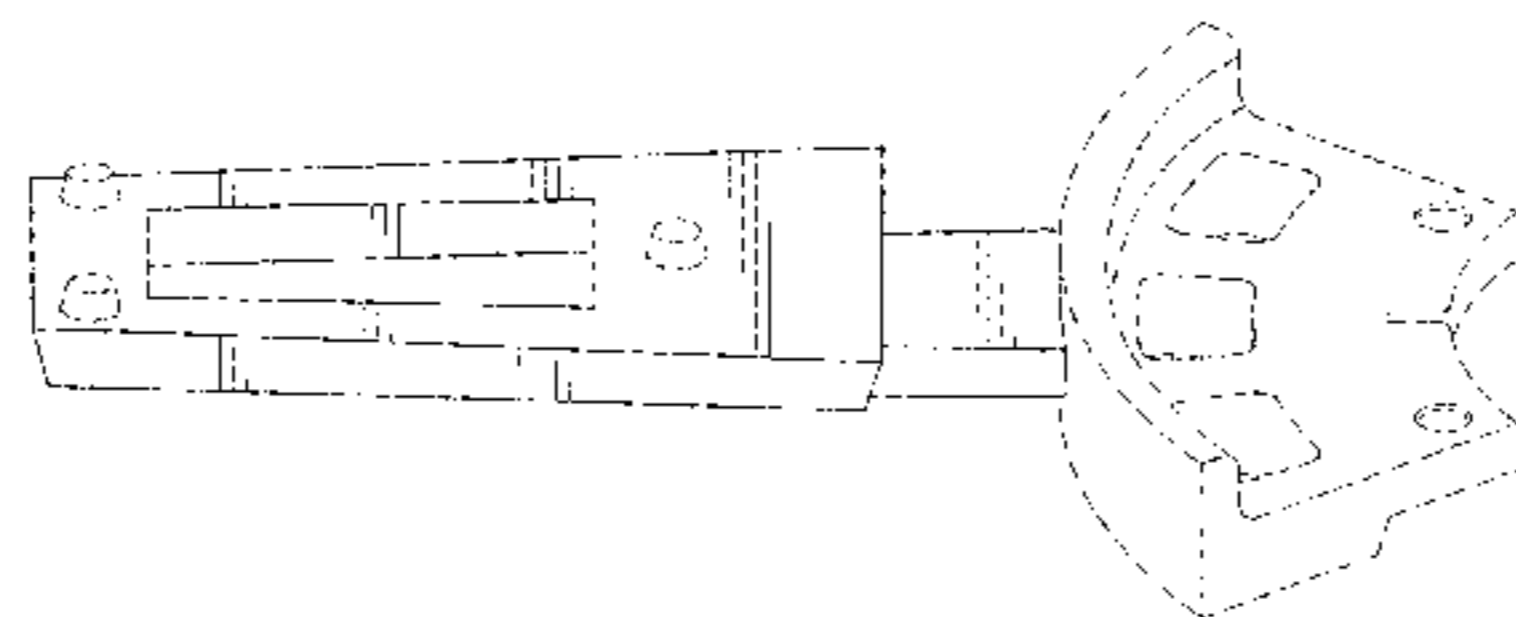
FIG. 5 is a right side elevational view thereof;

FIG. 6 is a top plan view thereof; and,

FIG. 7 is a bottom plan view thereof.

The broken lines in the drawings depict environmental subject matter only and form no part of the claimed design.

1 Claim, 5 Drawing Sheets



US D705,922 S

Page 2

(56)

References Cited

U.S. PATENT DOCUMENTS

D640,126 S * 6/2011 Plato D8/401
D671,202 S * 11/2012 Searle D23/377

2009/0004014 A1* 1/2009 Wang 416/210 R
2009/0004015 A1* 1/2009 Wang 416/210 R
2009/0035144 A1* 2/2009 Wang 416/220 R
2009/0246028 A1* 10/2009 Richardson 416/210 R

* cited by examiner

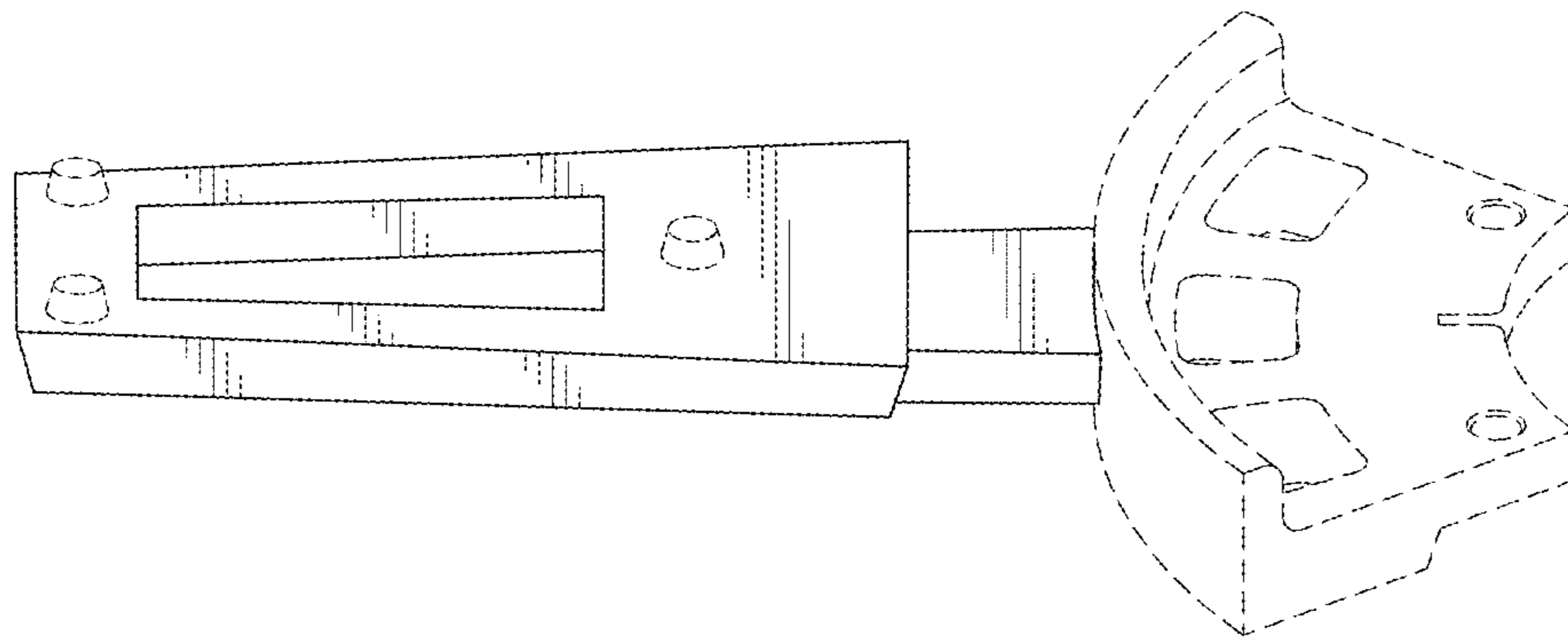


FIG. 1

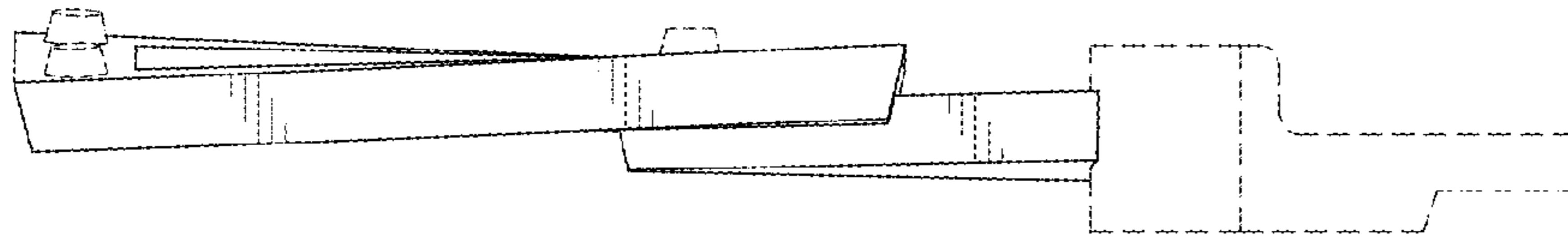


FIG. 2

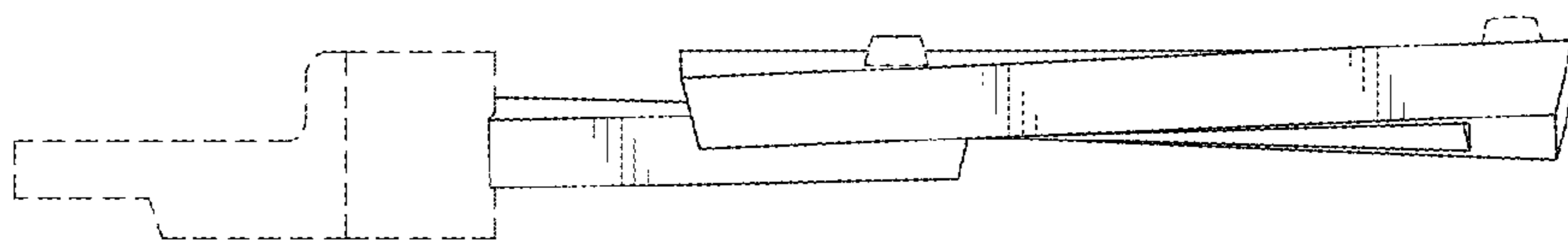


FIG. 3

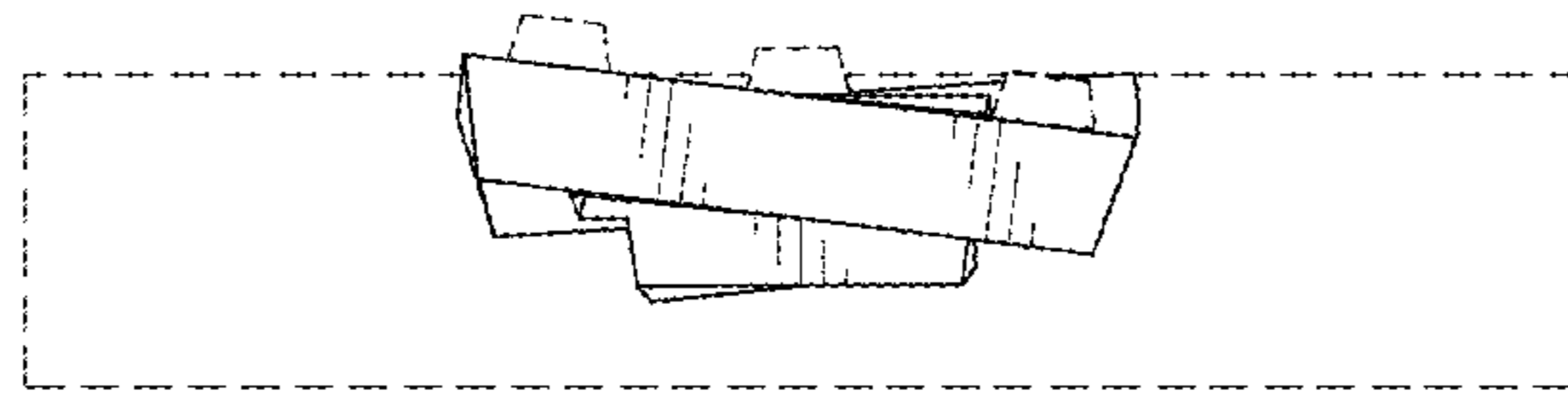


FIG. 4

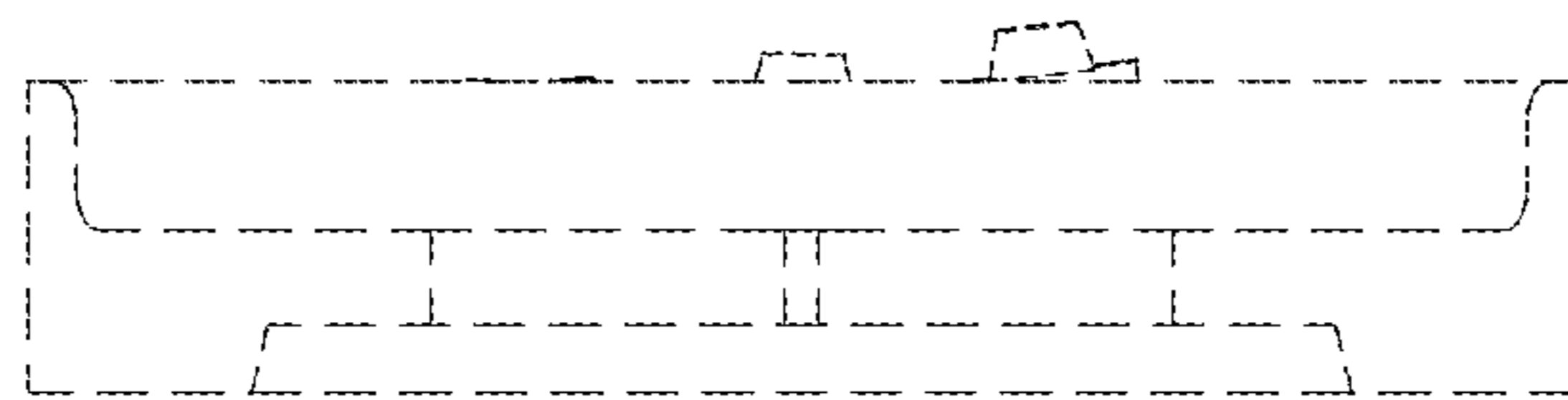


FIG. 5

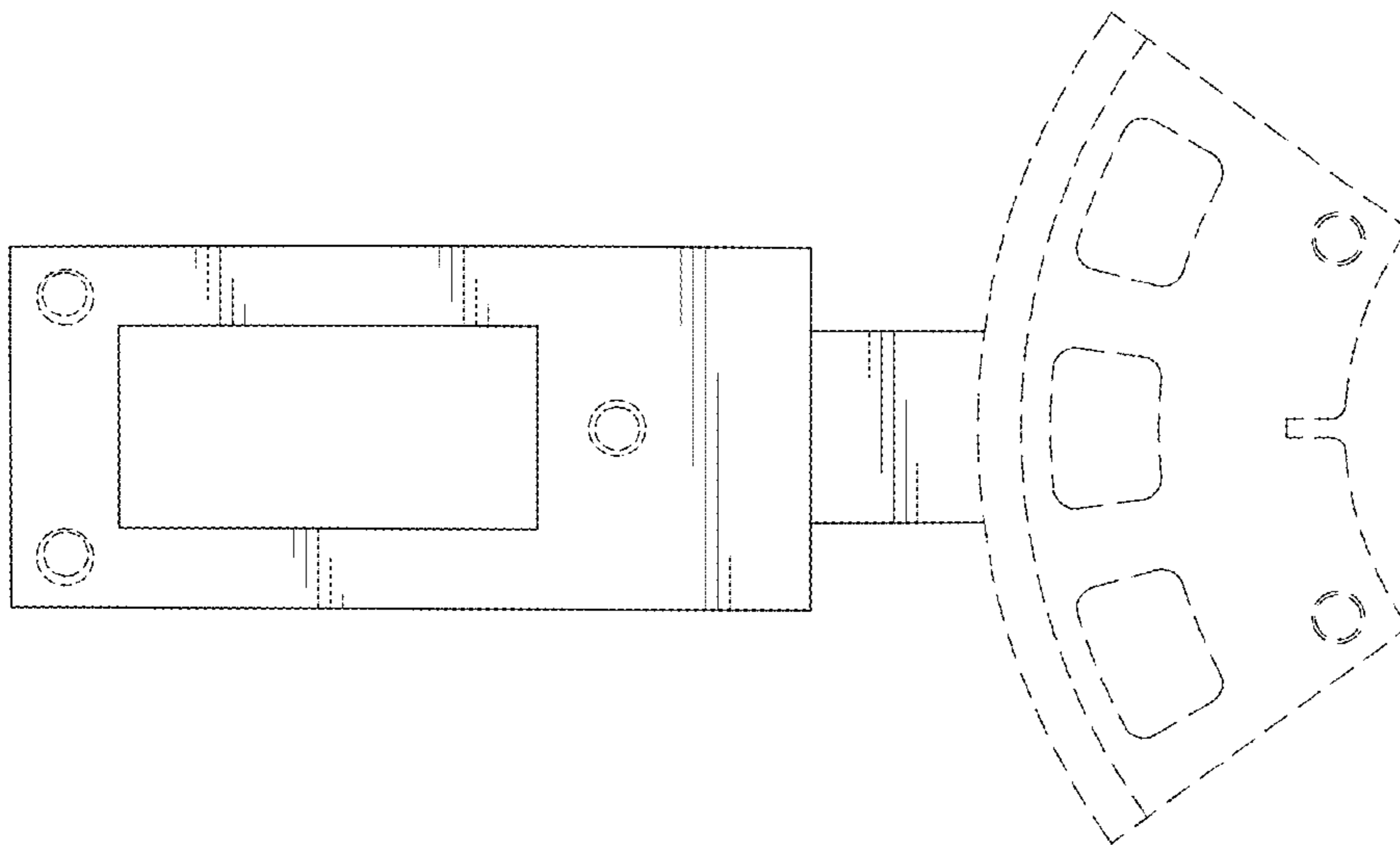


FIG. 6

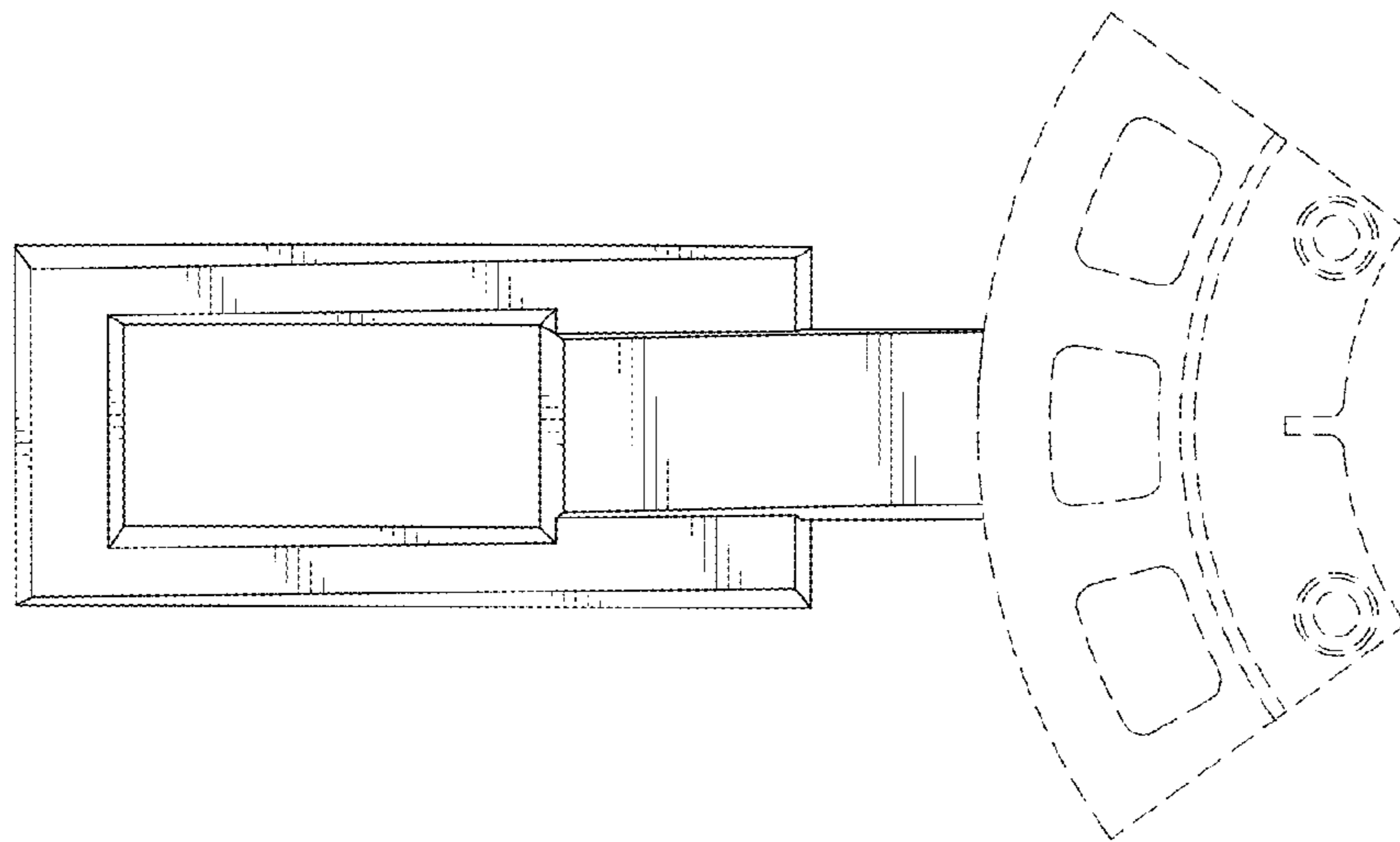


FIG. 7