



US00D705918S

(12) **United States Design Patent**
Robinson et al.

(10) **Patent No.:** **US D705,918 S**
(45) **Date of Patent:** **** May 27, 2014**

(54) **PORTABLE VAPORIZER**
(75) Inventors: **Alexander Robinson**, San Francisco, CA (US); **Joseph Taylor**, San Francisco, CA (US); **Mark Williams**, San Francisco, CA (US)

D508,119 S 8/2005 Shayan
D512,494 S * 12/2005 Haranaka D23/355
D513,070 S * 12/2005 Haranaka D23/355
6,990,978 B2 1/2006 Shayan
D523,414 S * 6/2006 Kobayashi D14/188
D536,090 S 1/2007 Nelson

(Continued)

(73) Assignee: **NWT Holdings, LLC.**, Seattle, WA (US)

OTHER PUBLICATIONS

Robinson et al., co-pending U.S. Appl. No. 13/167,968, filed Jun. 24, 2011.

(**) Term: **14 Years**

(Continued)

(21) Appl. No.: **29/413,427**

Primary Examiner — David Muller

(22) Filed: **Feb. 15, 2012**

(74) *Attorney, Agent, or Firm* — Steven R. Vosen

(51) **LOC (10) Cl.** **23-04**

(52) **U.S. Cl.**
USPC **D23/360**

(58) **Field of Classification Search**
USPC D23/355–366, 352, 369, 332, 333, 335,
D23/336, 342, 351; 422/120, 122; 55/356,
55/473, 504; 96/97; D14/188, 170, 172;
261/DIG. 17, DIG. 65, DIG. 88, DIG. 31;
D18/34.6

(57) **CLAIM**

We claim the ornamental design for a portable vaporizer, as shown and described.

See application file for complete search history.

DESCRIPTION

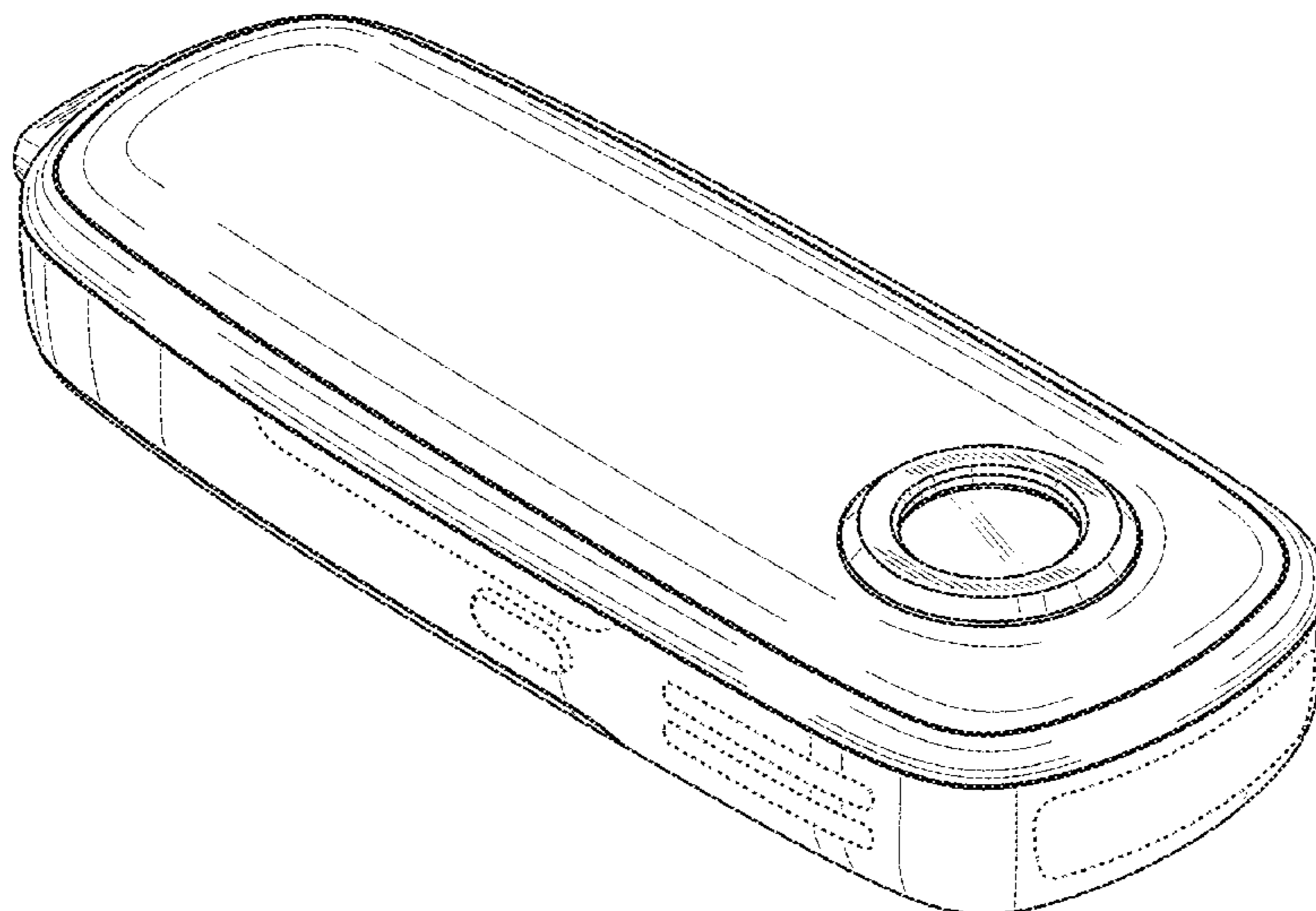
(56) **References Cited**

U.S. PATENT DOCUMENTS

4,303,083 A 12/1981 Burruss, Jr.
5,388,594 A 2/1995 Counts et al.
5,464,026 A 11/1995 Gardner et al.
5,564,442 A 10/1996 MacDonald et al.
D415,266 S * 10/1999 Glattstein D23/356
6,095,153 A 8/2000 Kessler et al.
6,250,301 B1 6/2001 Pate
D446,849 S * 8/2001 Weinberg D23/364
6,513,524 B1 2/2003 Storz
6,598,607 B2 7/2003 Adiga et al.
D489,448 S 5/2004 Shayan
6,761,164 B2 7/2004 Amirpour et al.
6,772,756 B2 8/2004 Shayan
D503,467 S * 3/2005 Flashinski et al. D23/366

FIG. 1 is an upper right rear perspective view of a portable vaporizer;
FIG. 2 is an exploded upper right rear perspective view of a portable vaporizer of FIG. 1;
FIG. 3 is a top plan view of the portable vaporizer of FIG. 1;
FIG. 4 is a left side elevational view of the portable vaporizer of FIG. 1;
FIG. 5 is a rear elevational view of the portable vaporizer of FIG. 1;
FIG. 6 is a front elevational view of the portable vaporizer of FIG. 1;
FIG. 7 is a bottom plan view of the portable vaporizer of FIG. 1; and,
FIG. 8 is a right side elevational view of the portable vaporizer of FIG. 1.
The broken lines which define the bounds of the claimed design form no part thereof.

1 Claim, 5 Drawing Sheets



(56)

References Cited

U.S. PATENT DOCUMENTS

D539,883 S * 4/2007 Lee et al. D23/351
 D575,860 S * 8/2008 Wu D23/366
 D581,506 S 11/2008 Kelnhofer
 D583,450 S * 12/2008 Choi D23/364
 D584,281 S * 1/2009 Kim et al. D14/188
 7,490,613 B2 2/2009 Jordan
 D603,033 S 10/2009 Kelnhofer
 D625,398 S * 10/2010 Choi D23/364
 D633,610 S * 3/2011 Wu D23/366
 7,905,236 B2 3/2011 Bryman et al.
 D636,474 S * 4/2011 Choi et al. D23/351
 D656,230 S 3/2012 Robinson et al.
 D664,636 S 7/2012 Robinson et al.
 2004/0163643 A1 8/2004 Wesner
 2007/0280652 A1 12/2007 Williams

2007/0283972 A1 12/2007 Monsees et al.
 2008/0023003 A1 1/2008 Rosenthal
 2008/0257367 A1 10/2008 Paterno et al.
 2009/0260641 A1 10/2009 Monsees et al.
 2009/0260642 A1 10/2009 Monsees et al.
 2009/0293888 A1 12/2009 Williams et al.
 2009/0293892 A1 12/2009 Williams et al.
 2010/0024834 A1 2/2010 Oglesby et al.
 2010/0163063 A1 7/2010 Fernando et al.
 2010/0322599 A1 12/2010 Landry
 2011/0073121 A1 3/2011 Levin et al.

OTHER PUBLICATIONS

Robinson et al., co-pending U.S. Appl. No. 29/413,429, filed Feb. 15, 2012.

* cited by examiner

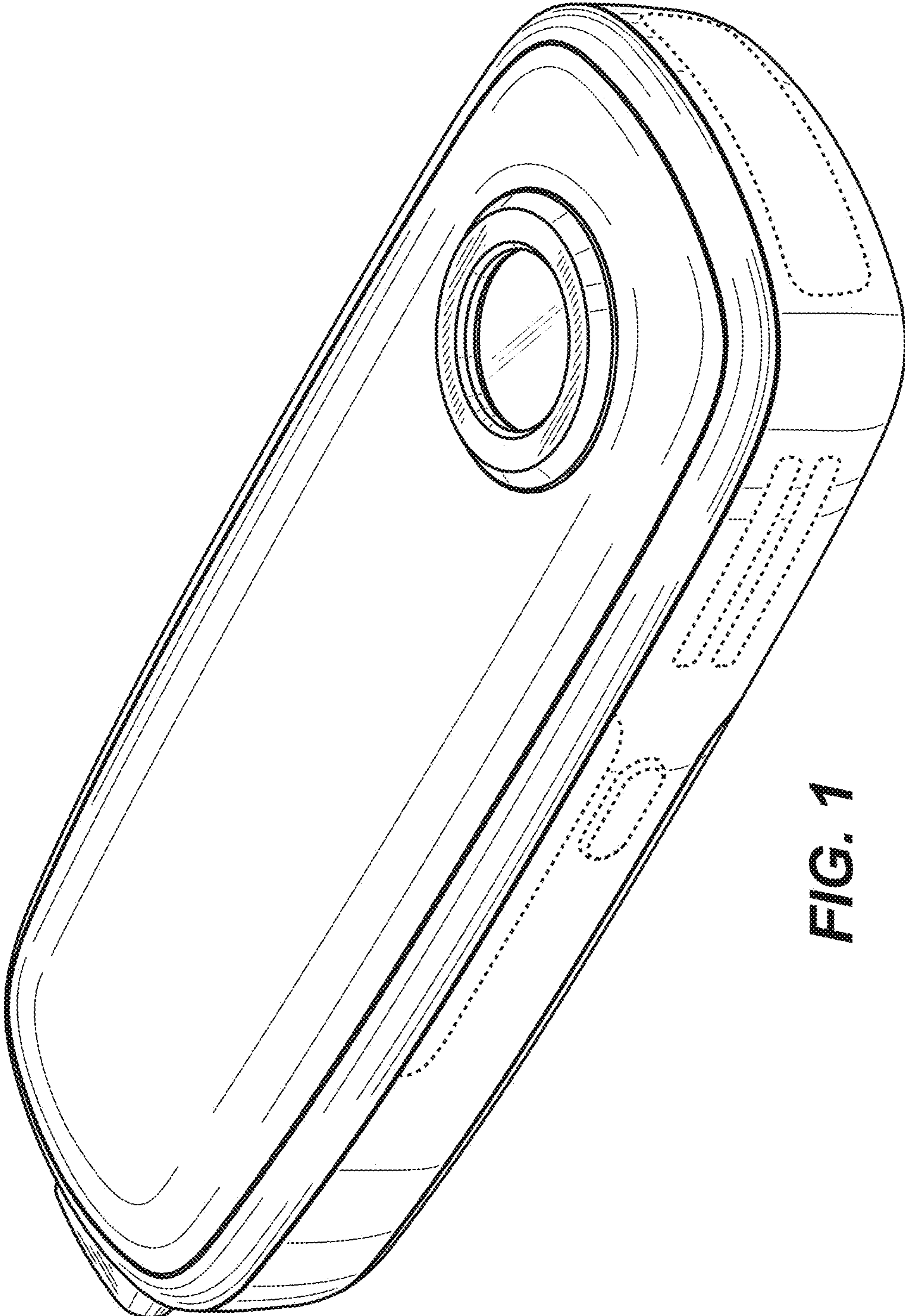


FIG. 1

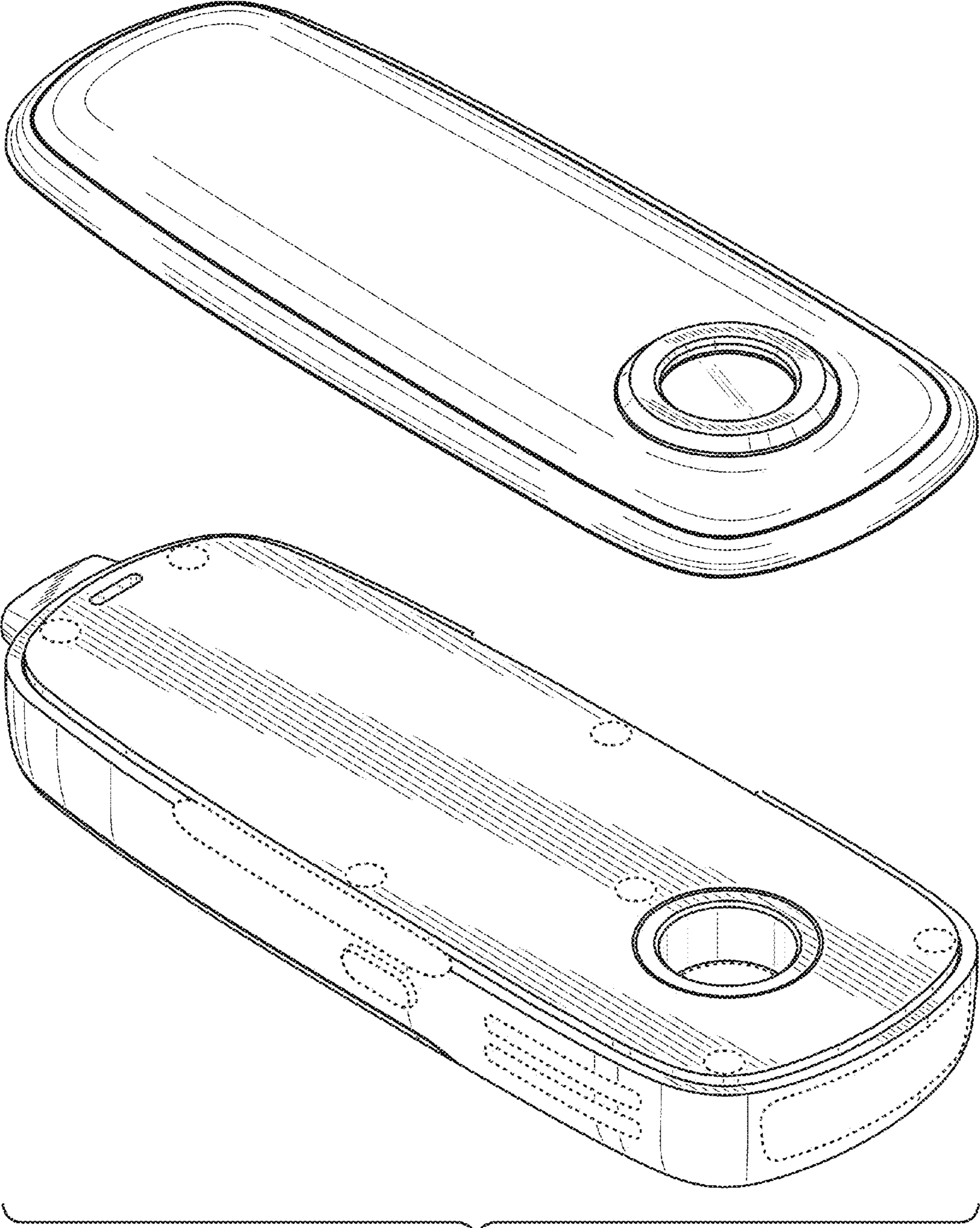


FIG. 2

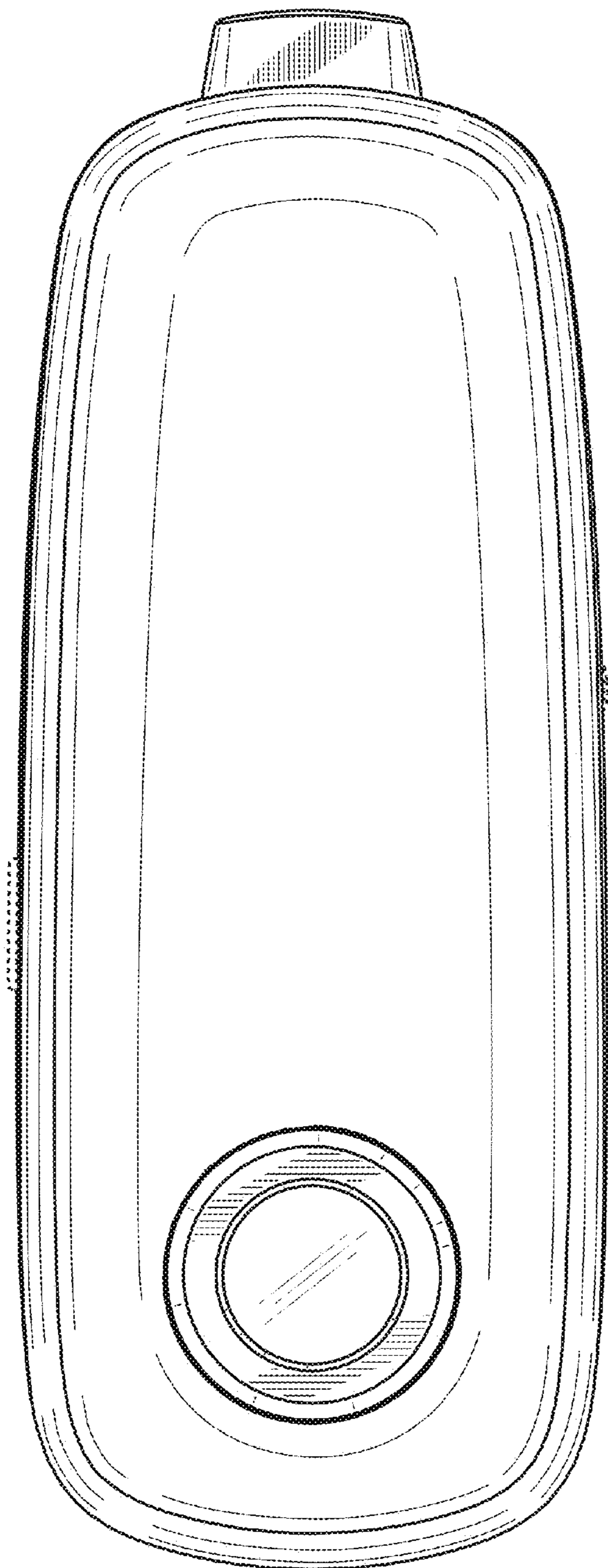


FIG. 3

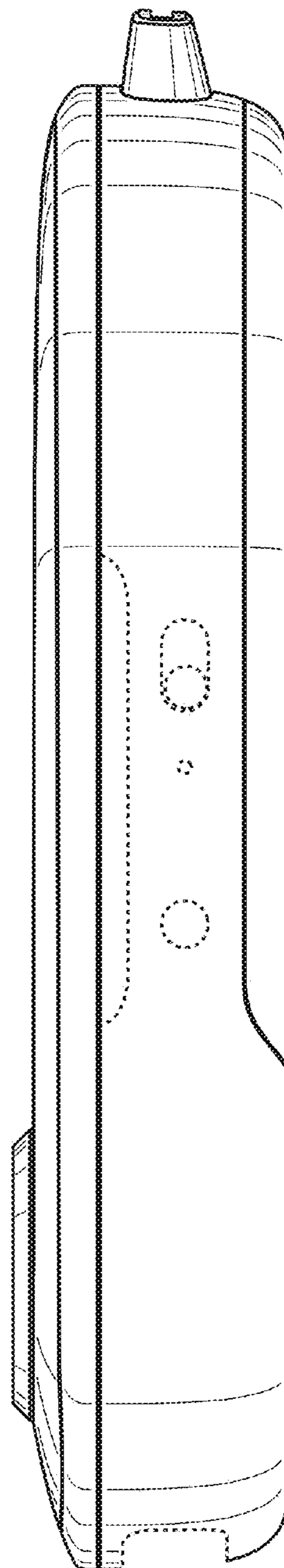


FIG. 4

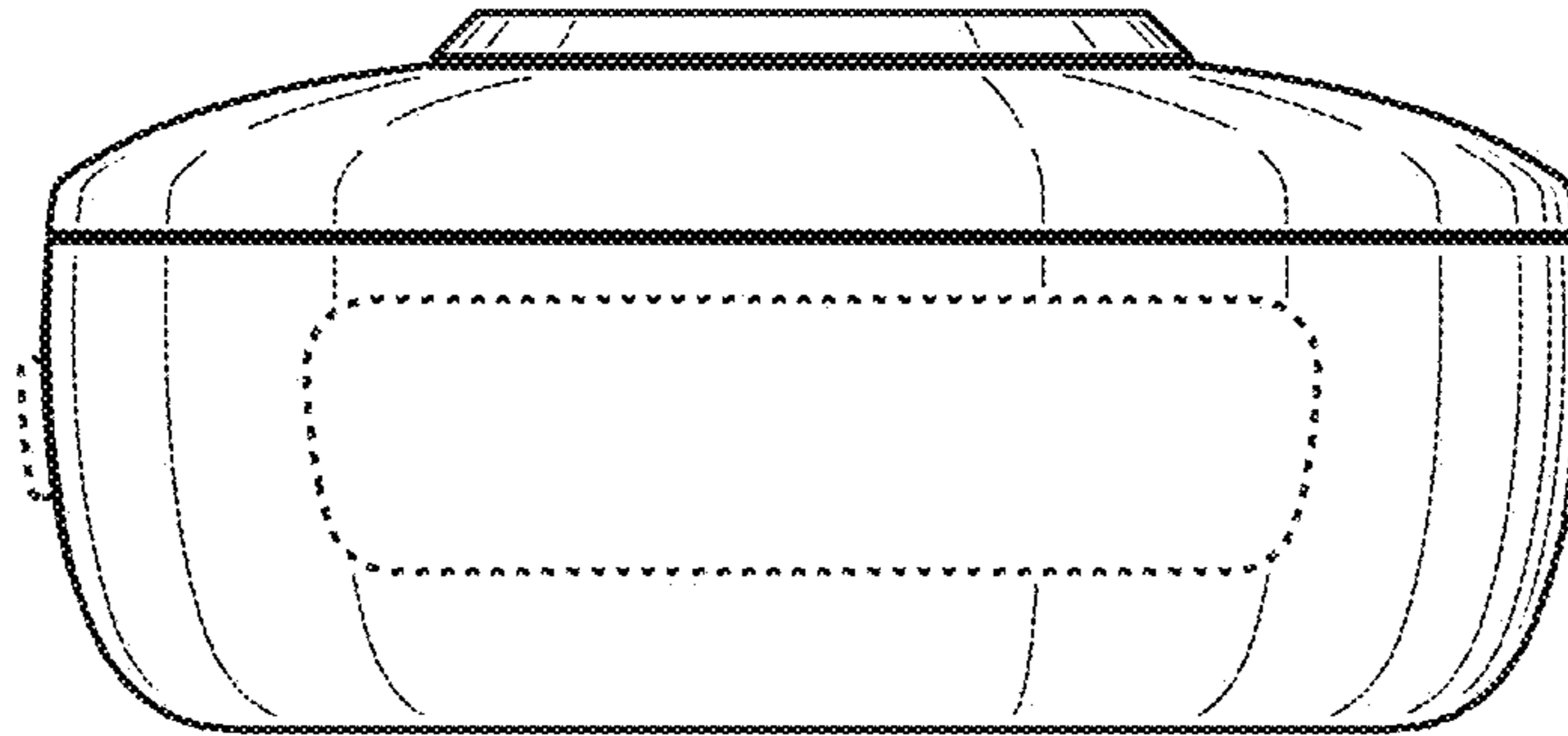


FIG. 5

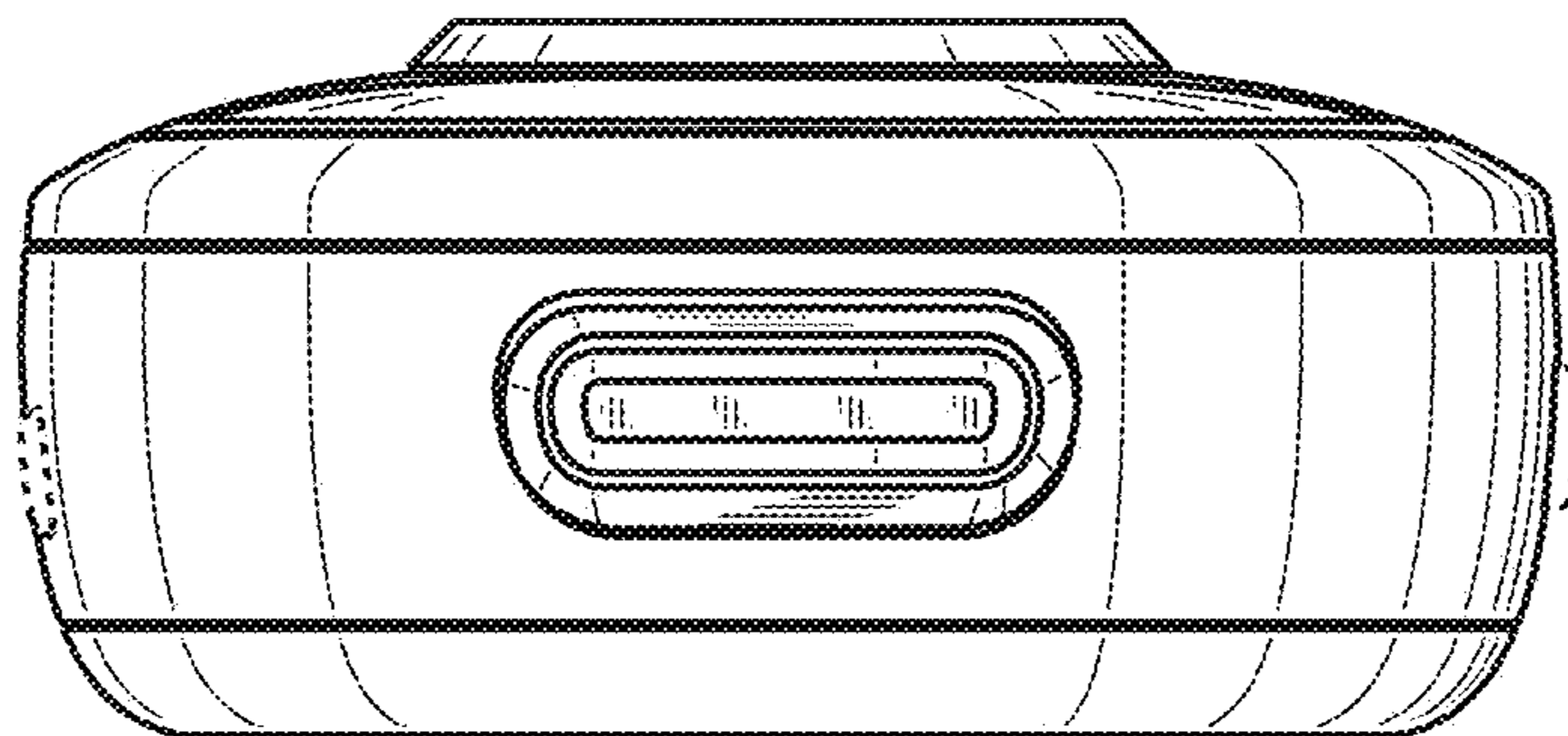


FIG. 6

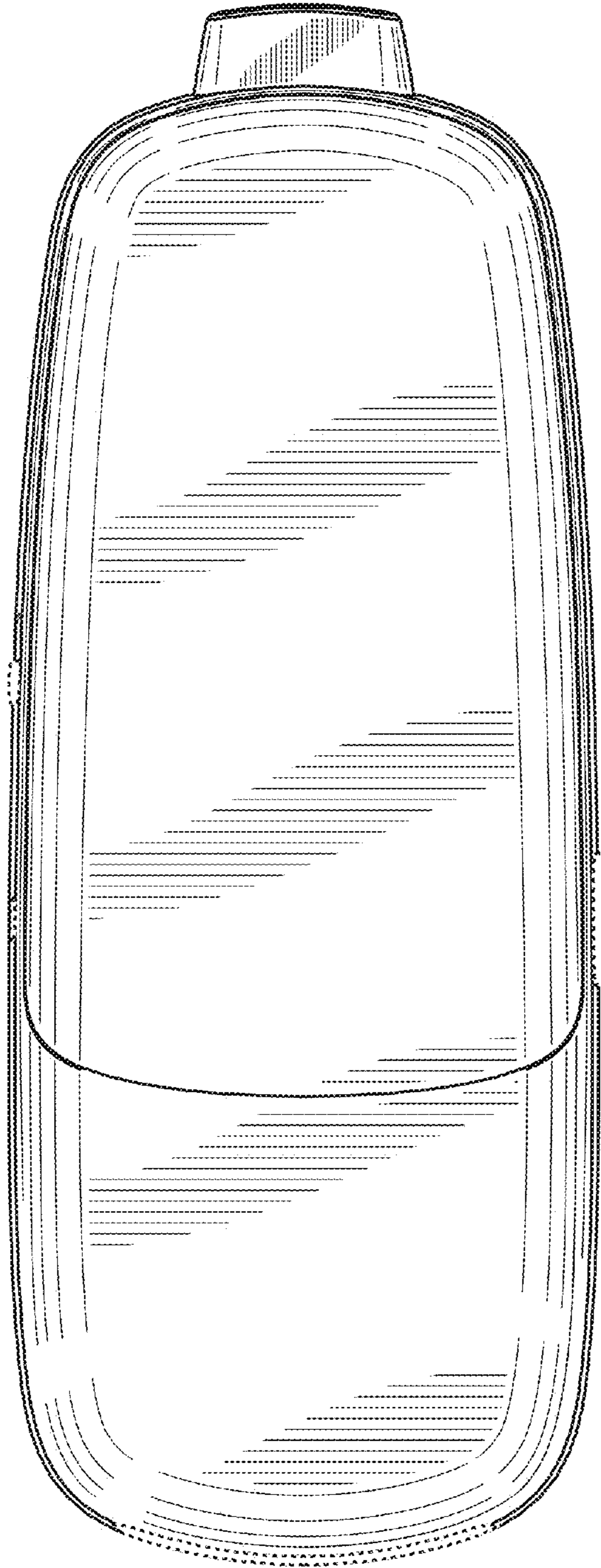


FIG. 7

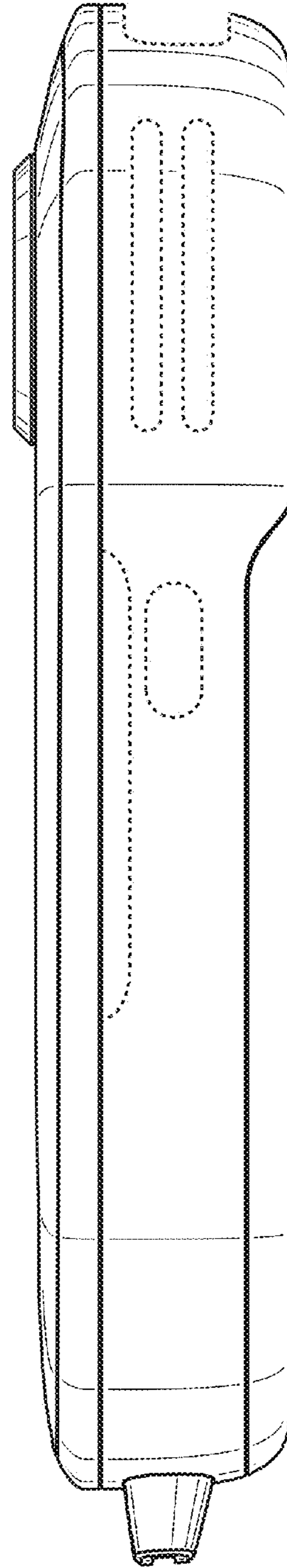


FIG. 8