



US00D705912S

(12) **United States Design Patent**
Koyama et al.

(10) **Patent No.:** **US D705,912 S**
(45) **Date of Patent:** **** May 27, 2014**

(54) **TOILET UNIT**

(71) Applicant: **The Yokohama Rubber Co., Ltd.**,
Tokyo (JP)

(72) Inventors: **Takashi Koyama**, Kanagawa (JP);
Masayuki Fushimi, Tokyo (JP)

(73) Assignee: **The Yokohama Rubber Co., Ltd.**,
Tokyo (JP)

(**) Term: **14 Years**

(21) Appl. No.: **29/445,115**

(22) Filed: **Feb. 7, 2013**

(30) **Foreign Application Priority Data**

Aug. 7, 2012 (JP) 2012-018951

(51) **LOC (10) Cl.** **23-02**

(52) **U.S. Cl.**
USPC **D23/303**; D12/345; D23/274

(58) **Field of Classification Search**
USPC D23/270–271, 274, 303; D12/345, 40,
D12/43; 244/119–120, 117 R; D6/641–642,
D6/698, 559, 601

See application file for complete search history.

(56) **References Cited**

U.S. PATENT DOCUMENTS

5,150,863 A * 9/1992 Hozumi D12/345
D593,643 S * 6/2009 Bock et al. D23/271
D593,644 S * 6/2009 Bock et al. D23/271

D593,645 S * 6/2009 Bock et al. D23/271
D593,646 S * 6/2009 Bock et al. D23/271
D593,647 S * 6/2009 Bock et al. D23/271
D609,160 S * 2/2010 Wilczynski et al. D12/345
D628,138 S * 11/2010 Collins et al. D12/345
D691,829 S * 10/2013 Berg D6/601

* cited by examiner

Primary Examiner — Robert Delehanty

(74) *Attorney, Agent, or Firm* — Banner & Witcoff, Ltd.

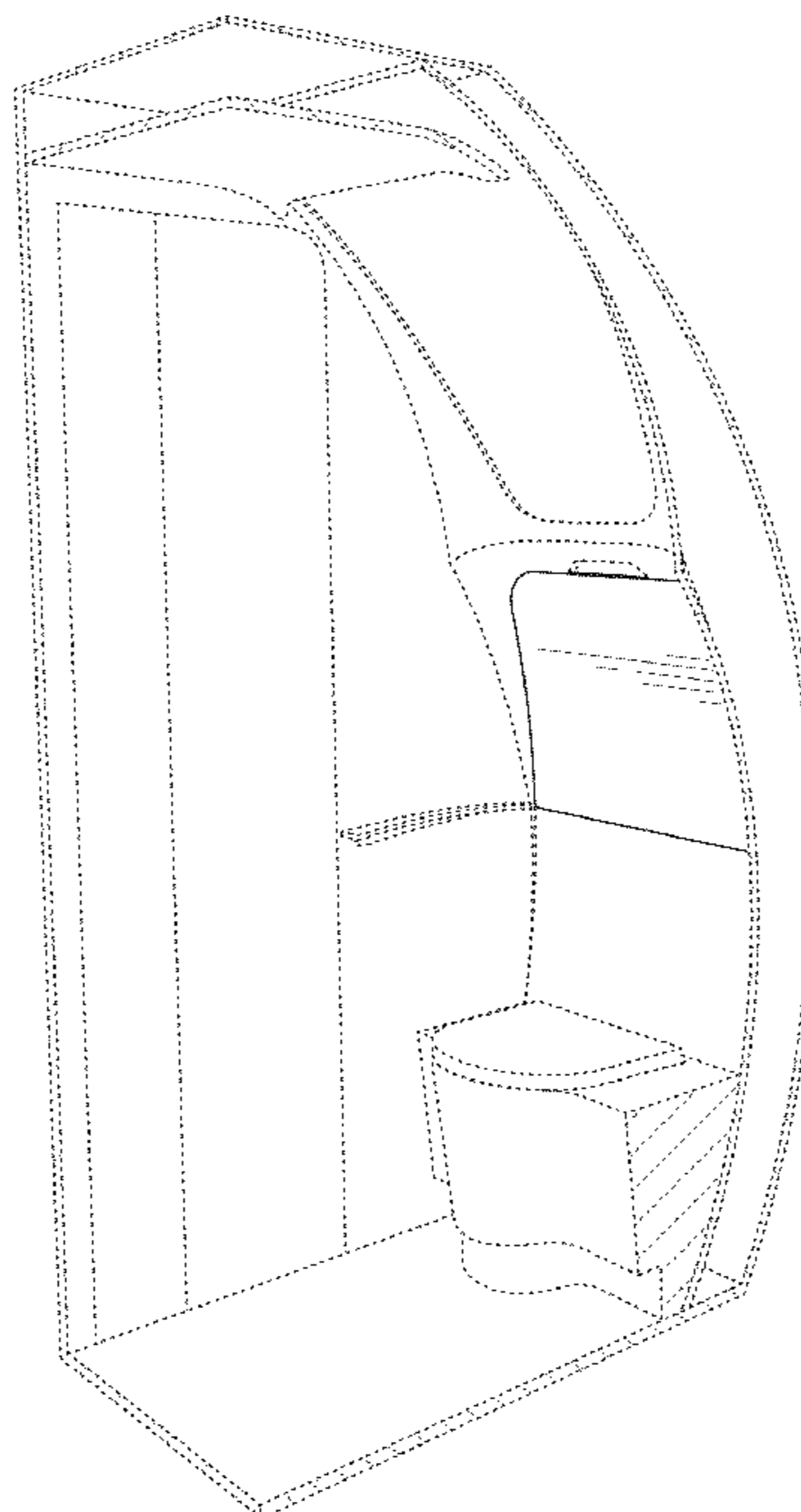
(57) **CLAIM**

The ornamental design for a toilet unit, as shown and described.

DESCRIPTION

FIG. 1 is a perspective view of front and right side of a toilet unit showing our new design;
FIG. 2 is a front view thereof;
FIG. 3 is a rear view thereof;
FIG. 4 is a left side view thereof;
FIG. 5 is a right side view thereof;
FIG. 6 is a top view thereof;
FIG. 7 is a bottom view thereof;
FIG. 8 is a perspective view showing an interior thereof;
FIG. 9 is another perspective view showing an interior thereof, and,
FIG. 10 is a perspective view showing a state in which a movable shelf is extracted thereof.
The portions of the article in broken lines are shown for illustrative purposes only and form no part of the claimed design.

1 Claim, 8 Drawing Sheets



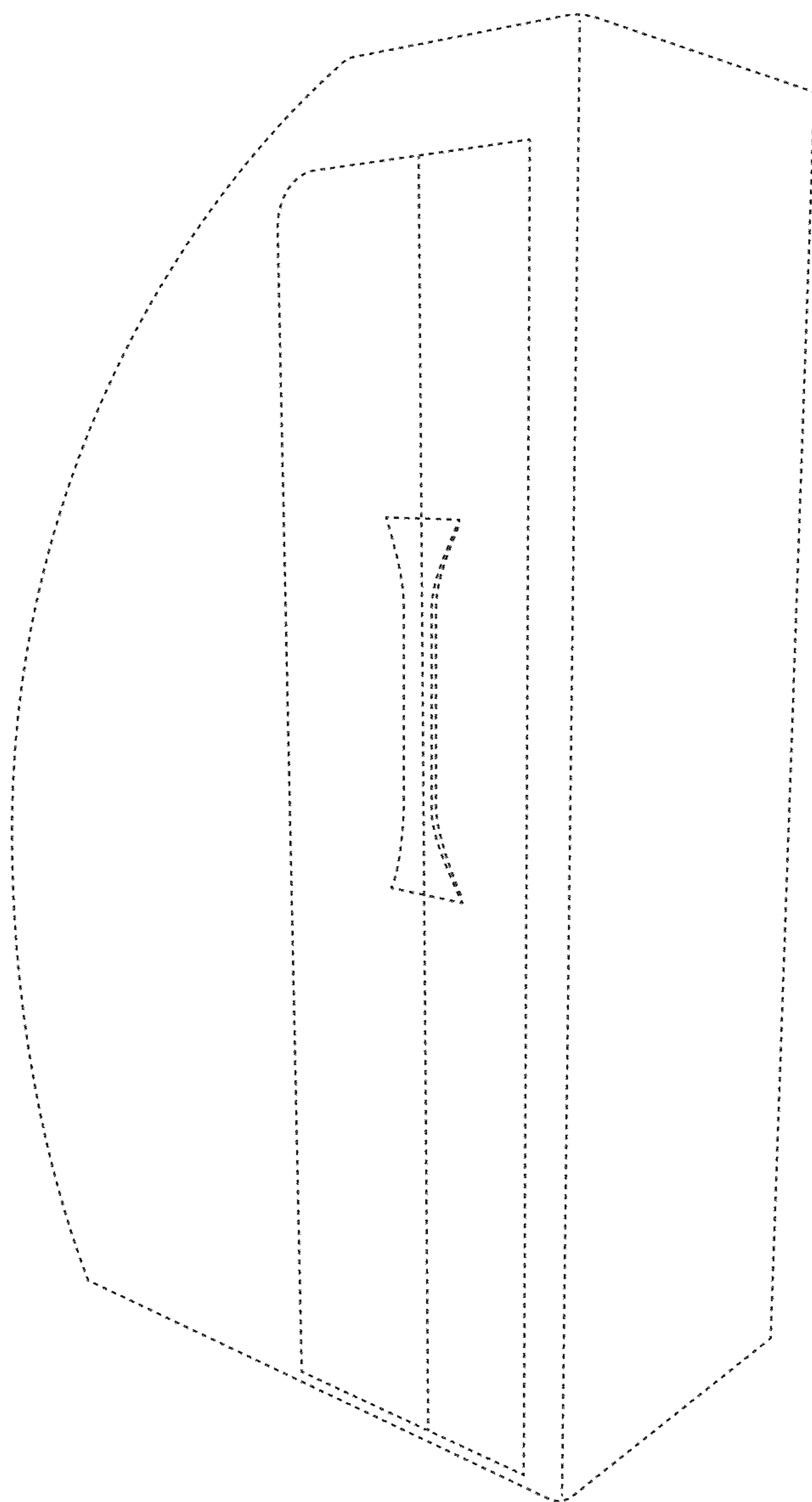


FIG. 1

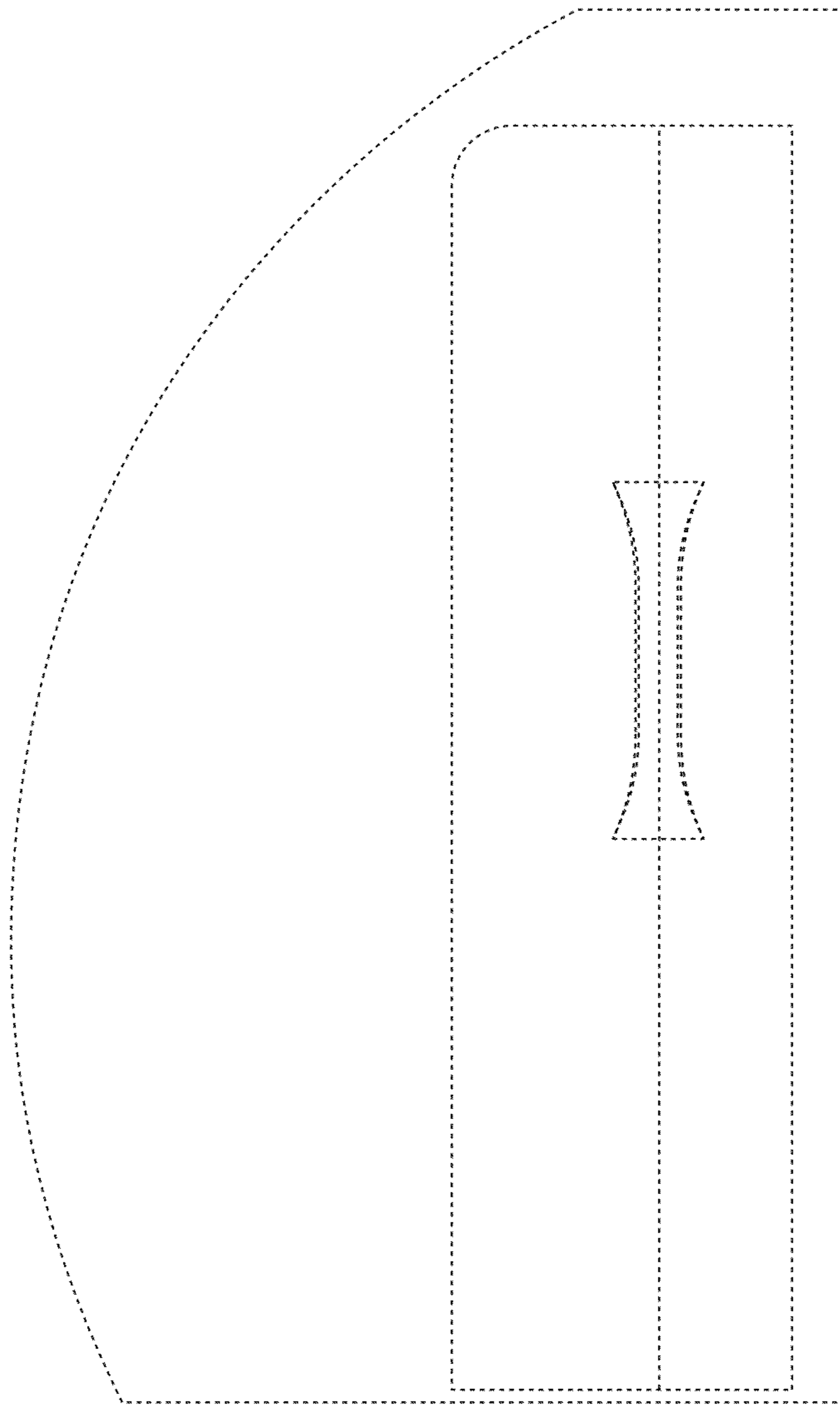


FIG. 2

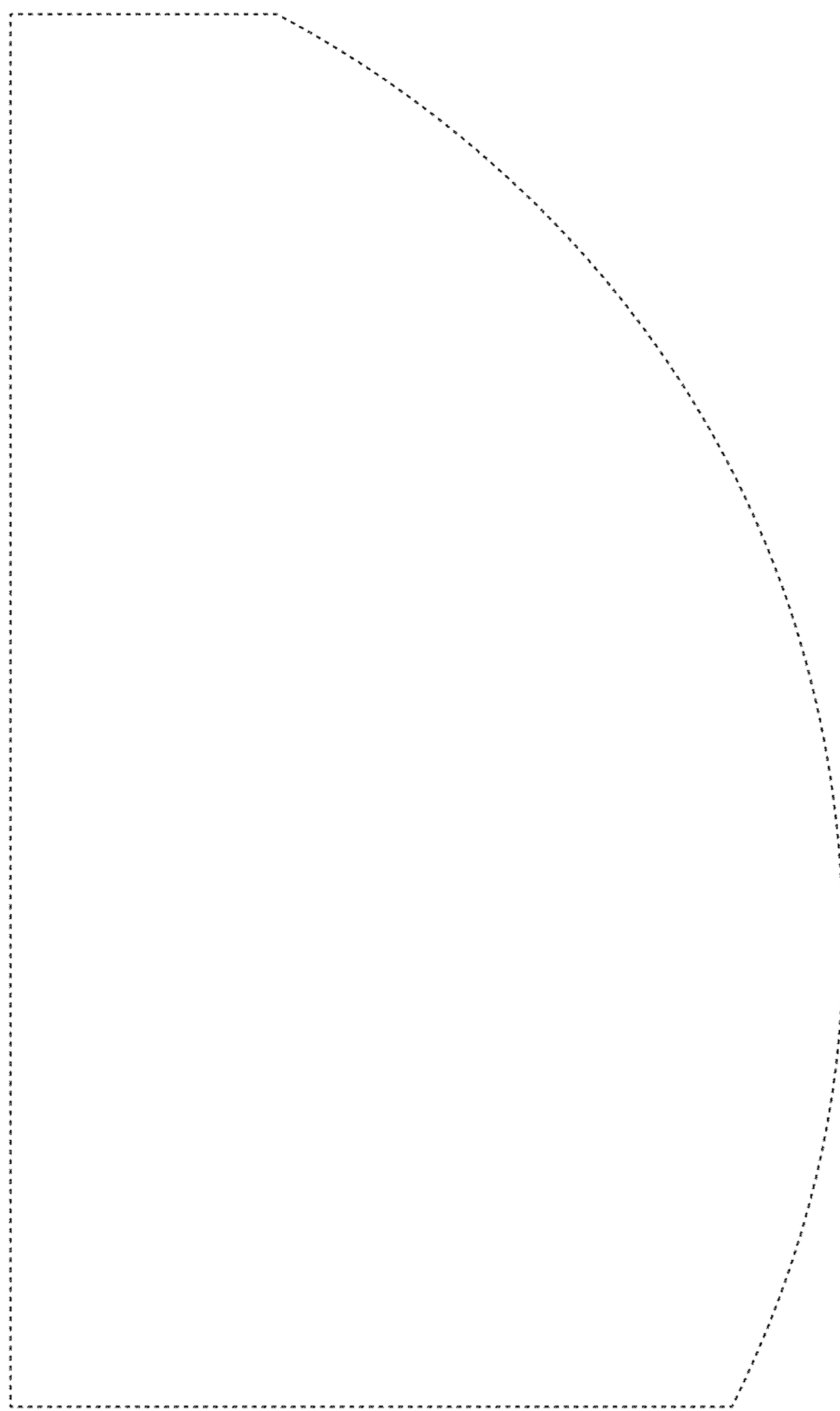


FIG. 3

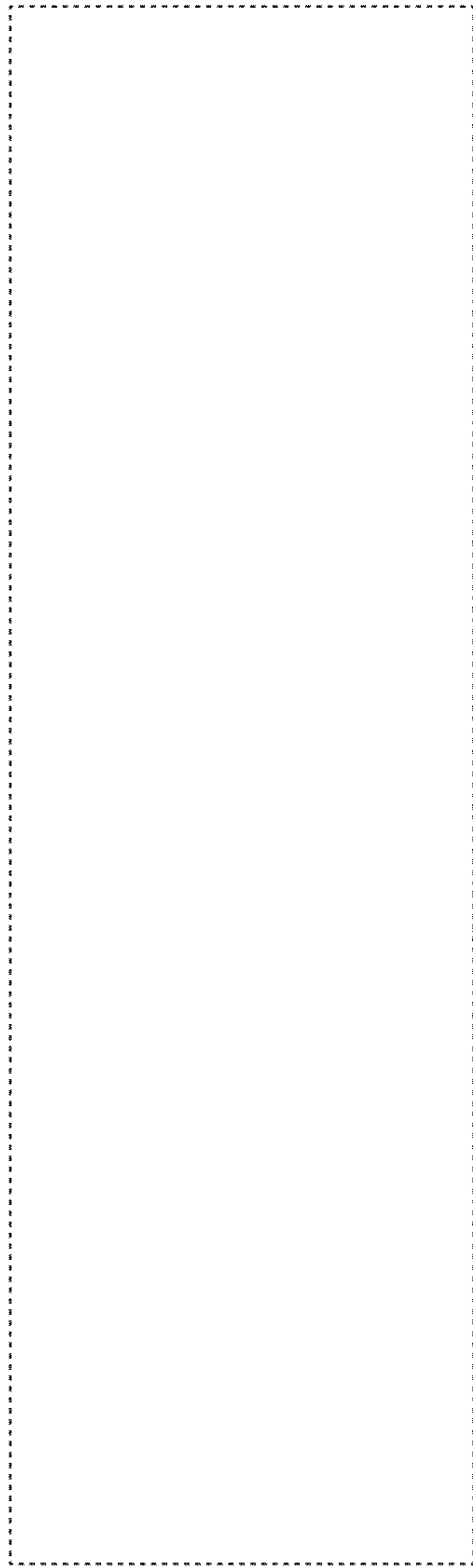


FIG. 4

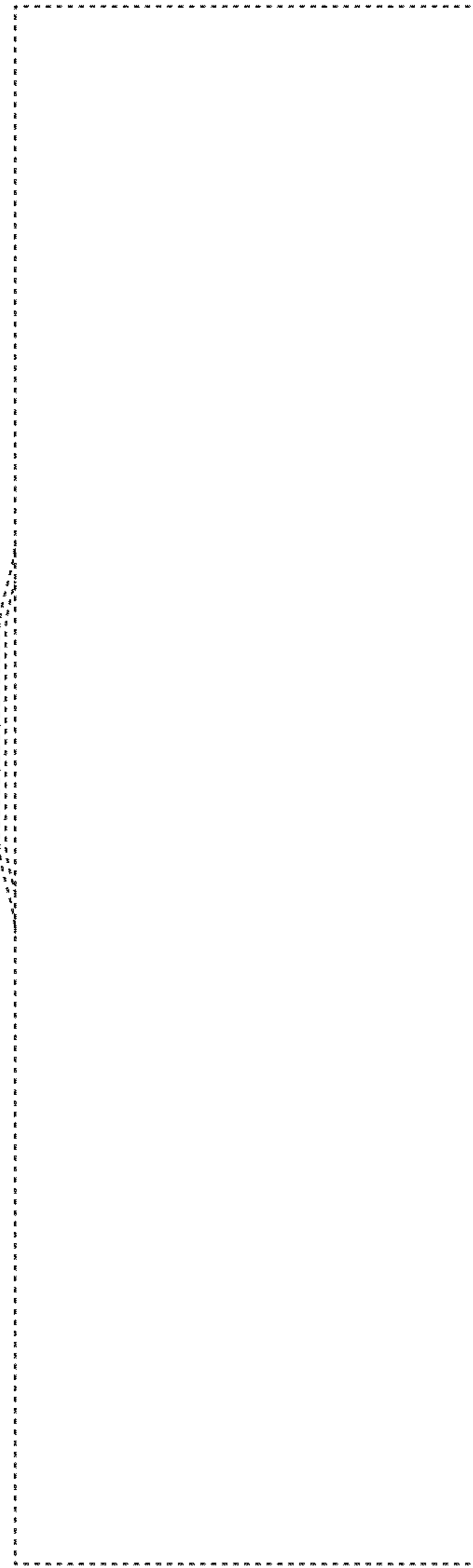


FIG. 5



FIG. 6



FIG. 7

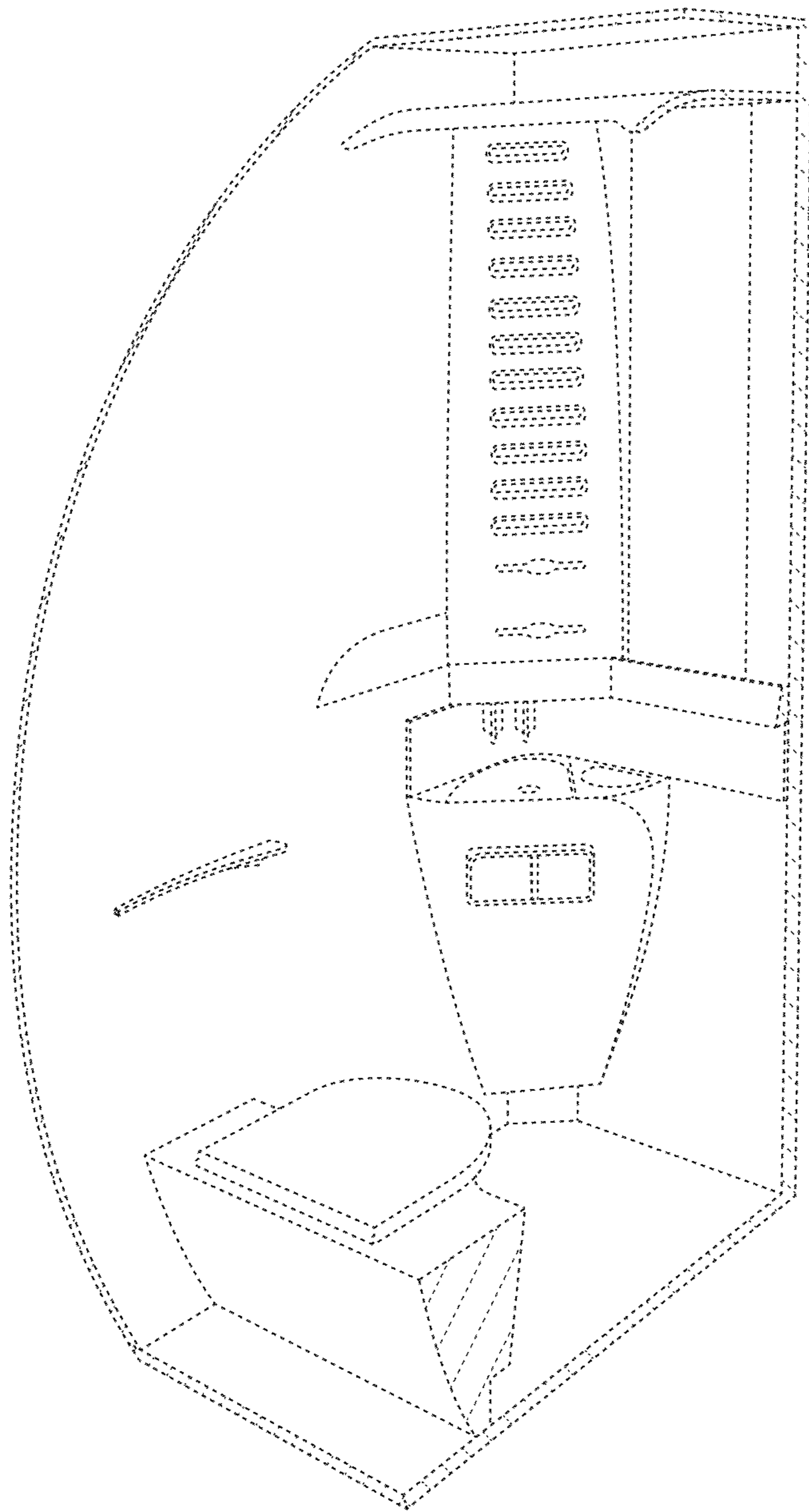


FIG. 8

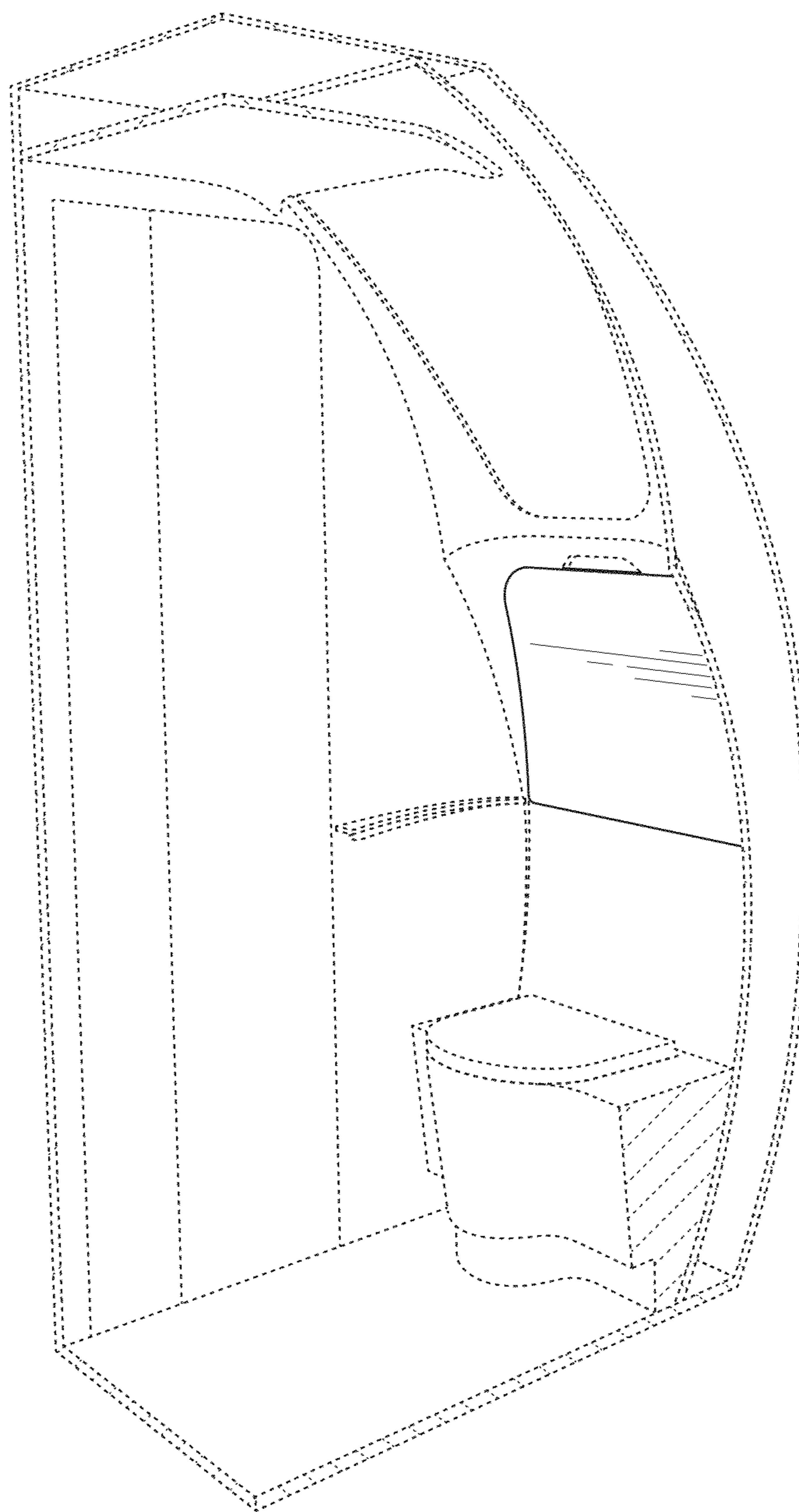


FIG. 9

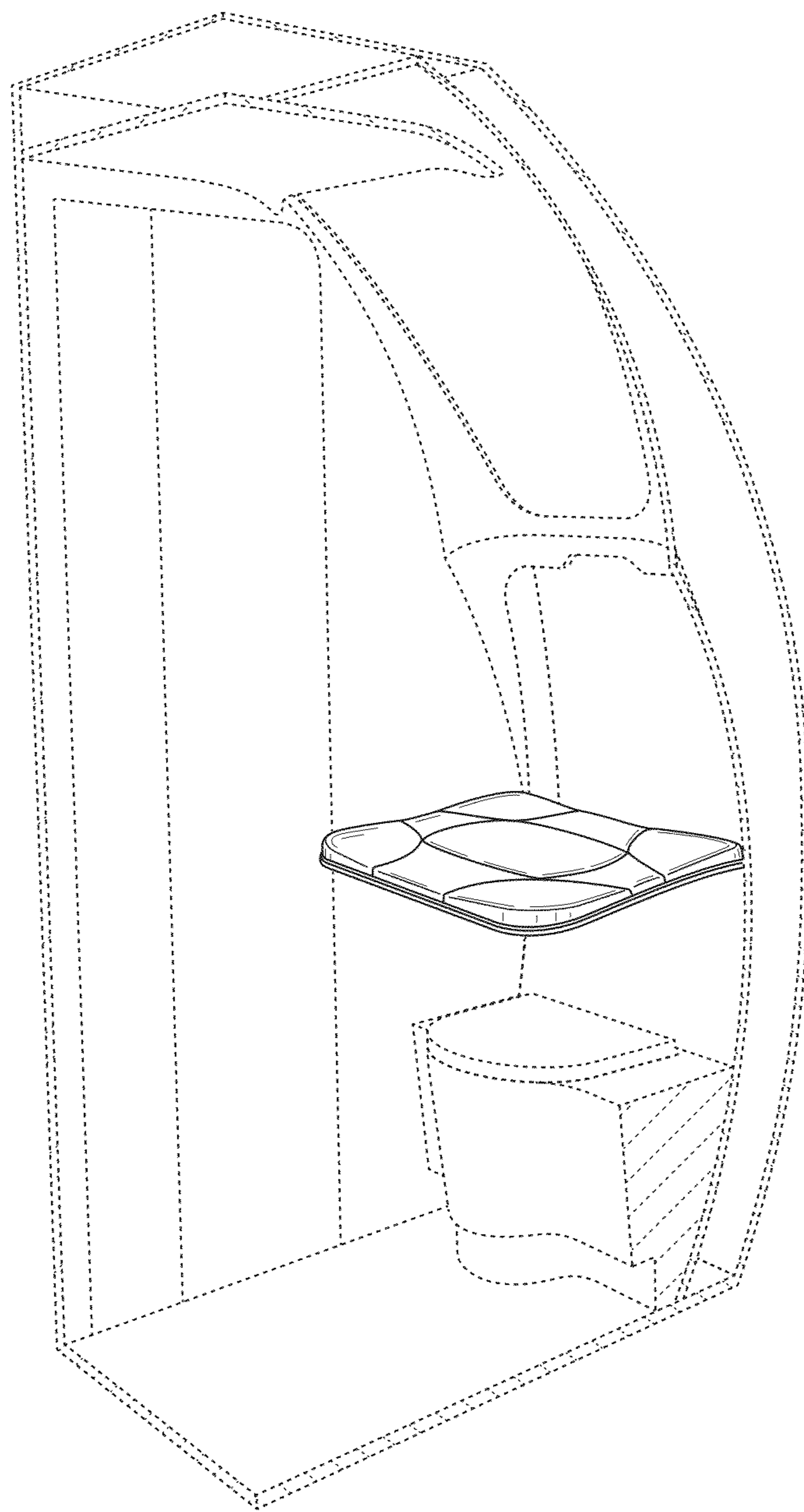


FIG. 10