



US00D705911S

(12) **United States Design Patent**  
**Koyama et al.**

(10) **Patent No.:** **US D705,911 S**

(45) **Date of Patent:** **\*\* May 27, 2014**

(54) **TOILET UNIT**

(71) Applicant: **The Yokohama Rubber Co., Ltd,**  
Tokyo (JP)

(72) Inventors: **Takashi Koyama,** Kanagawa (JP);  
**Masayuki Fushimi,** Tokyo (JP)

(73) Assignee: **The Yokohama Rubber Co., Ltd.,**  
Tokyo (JP)

(\*\*) Term: **14 Years**

(21) Appl. No.: **29/445,063**

(22) Filed: **Feb. 7, 2013**

(30) **Foreign Application Priority Data**

Aug. 7, 2012 (JP) ..... 2012-018954

(51) **LOC (10) Cl.** ..... **23-02**

(52) **U.S. Cl.**  
USPC ..... **D23/303**

(58) **Field of Classification Search**  
USPC ..... D23/270–271, 274, 286, 303;  
4/DIG. 15, 664, 210; D12/345,  
D12/317–318, 40, 43; 244/119–120, 117 R;  
D24/234; D6/641–642, 559

See application file for complete search history.

(56) **References Cited**

U.S. PATENT DOCUMENTS

D593,645 S \* 6/2009 Bock et al. .... D23/271  
D593,646 S \* 6/2009 Bock et al. .... D23/271  
D593,647 S \* 6/2009 Bock et al. .... D23/271  
D606,635 S \* 12/2009 Bock et al. .... D23/303

\* cited by examiner

*Primary Examiner* — Robert Delehanty

(74) *Attorney, Agent, or Firm* — Banner & Witcoff, Ltd.

(57) **CLAIM**

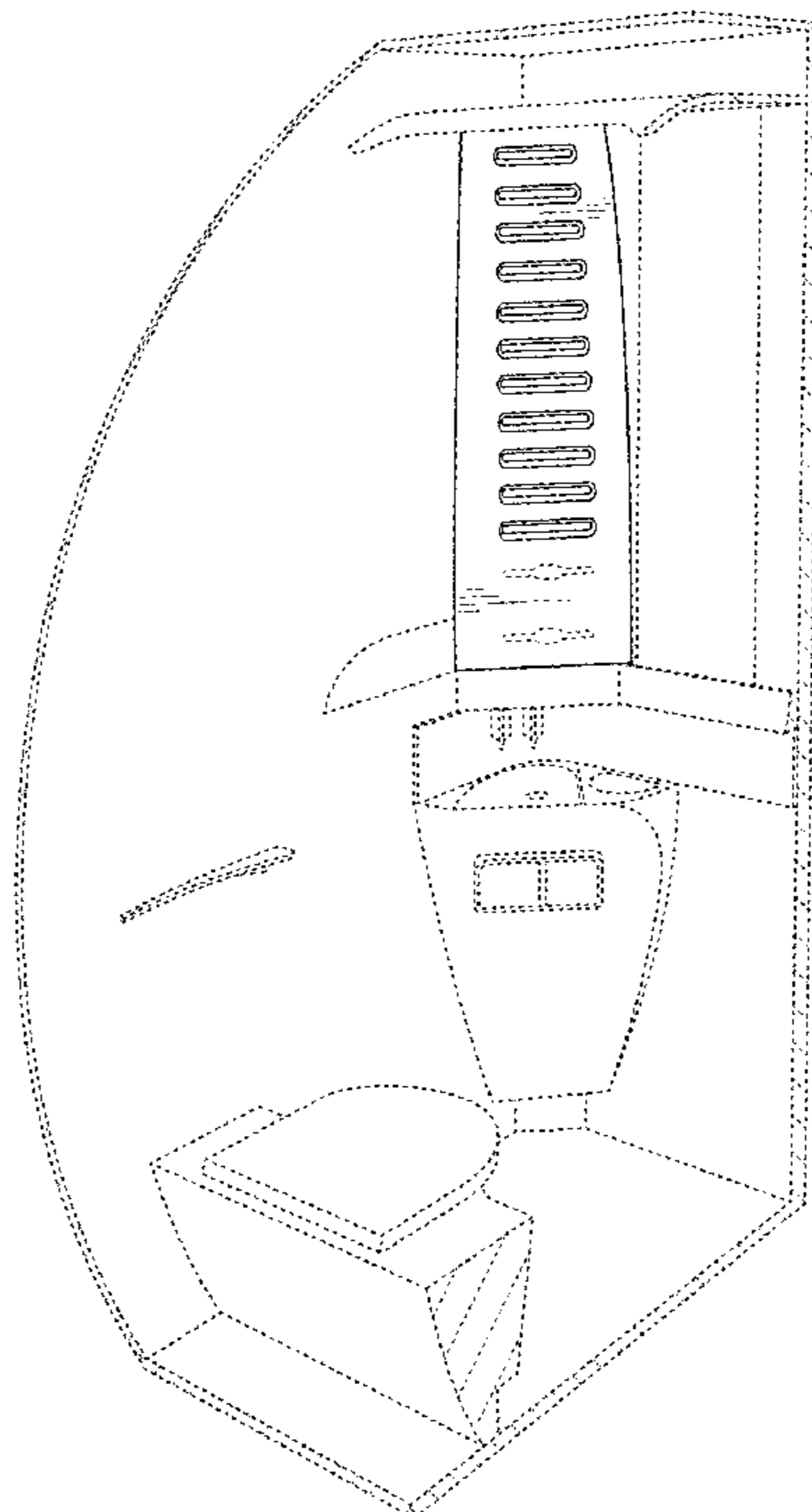
The ornamental design for a toilet unit, as shown and described.

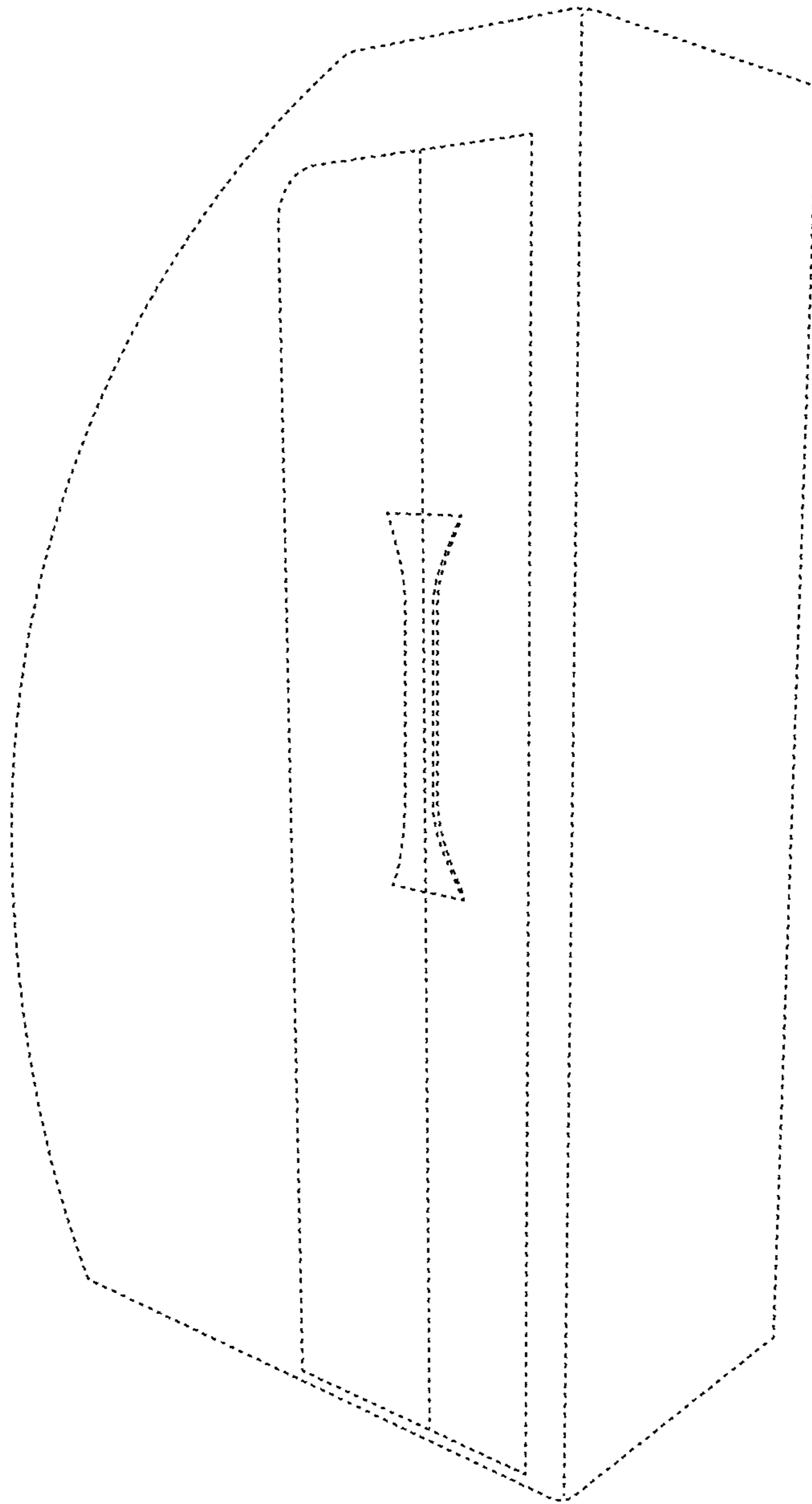
**DESCRIPTION**

FIG. 1 is a perspective view of front and right side of a toilet unit showing our new design;  
FIG. 2 is a front view thereof;  
FIG. 3 is a rear view thereof;  
FIG. 4 is a left side view thereof;  
FIG. 5 is a right side view thereof;  
FIG. 6 is a top view thereof;  
FIG. 7 is a bottom view thereof;  
FIG. 8 is a perspective view showing an interior thereof; and,  
FIG. 9 is another perspective view showing an interior thereof.

The portions of the article in broken lines are shown for illustrative purposes only and form no part of the claimed design.

**1 Claim, 7 Drawing Sheets**





**FIG. 1**

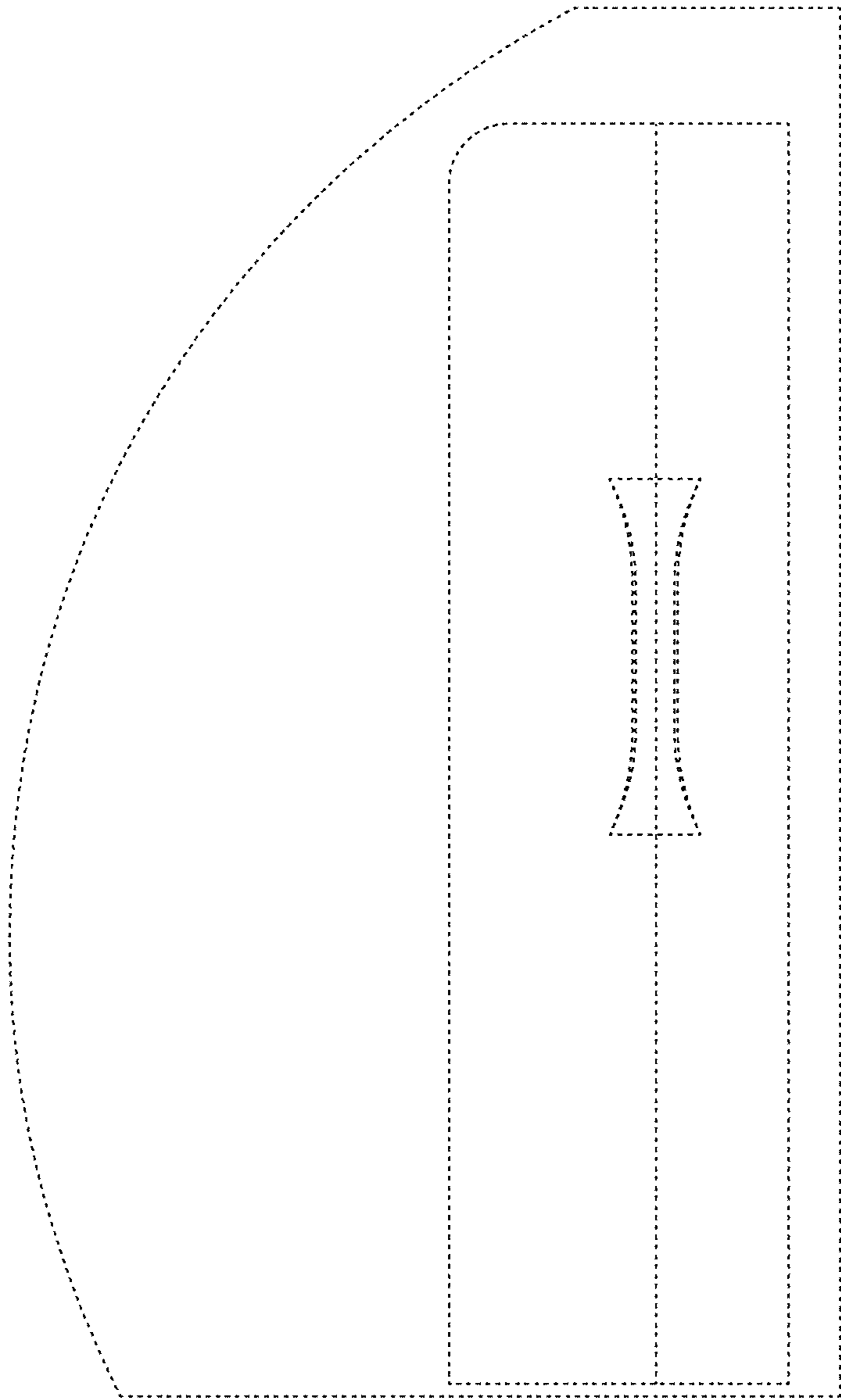
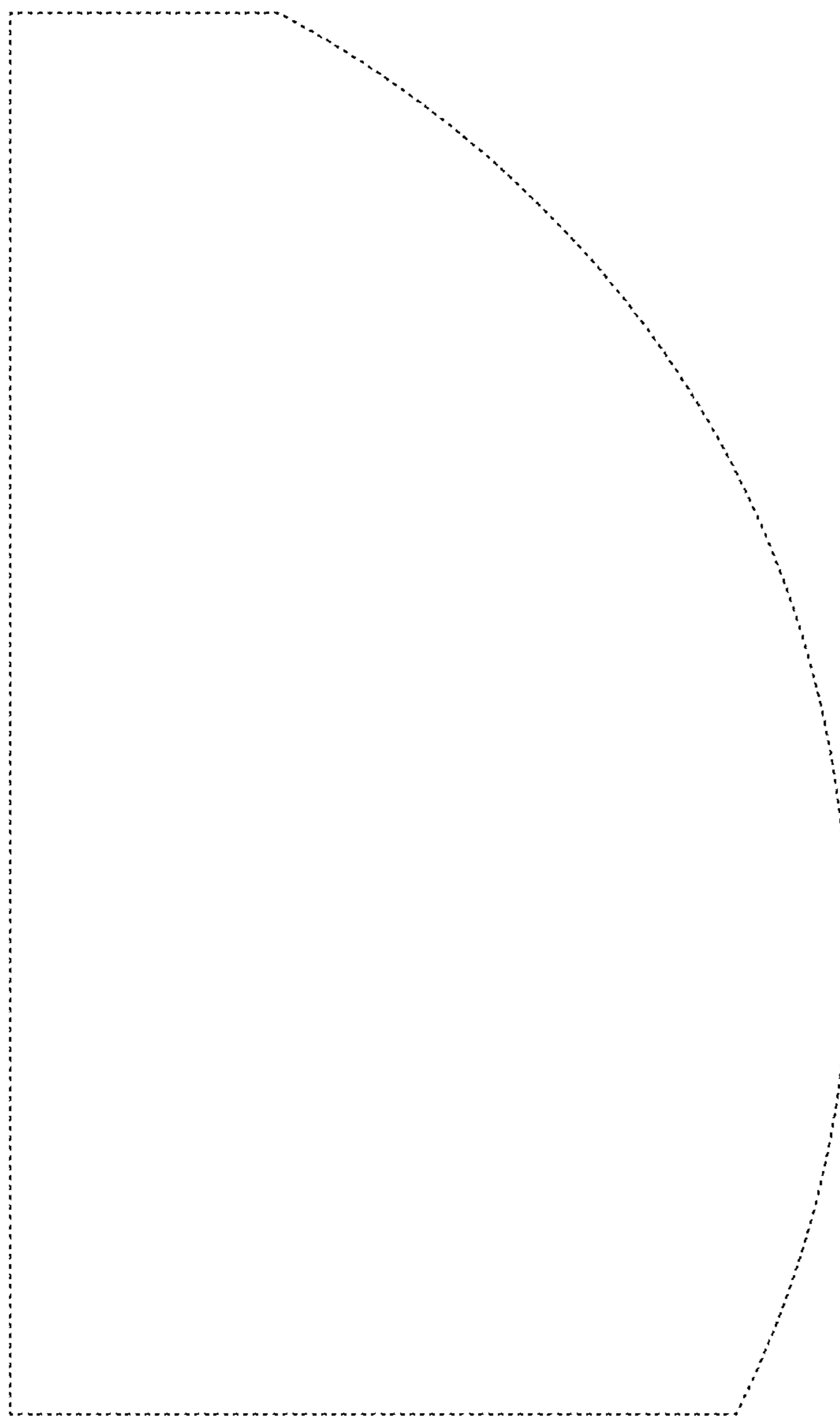
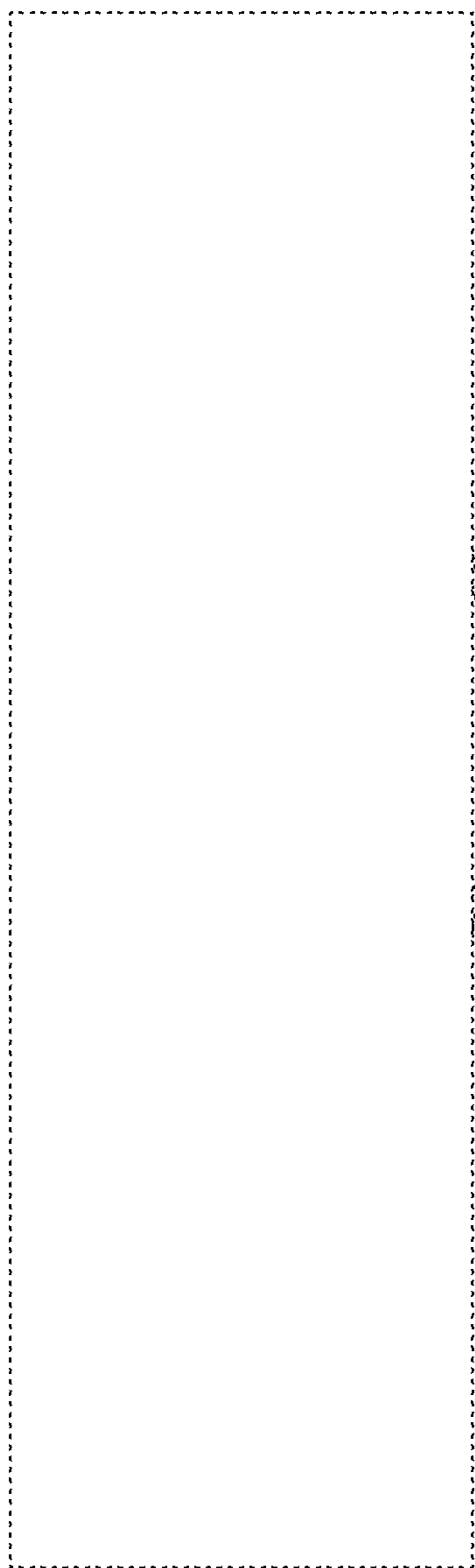


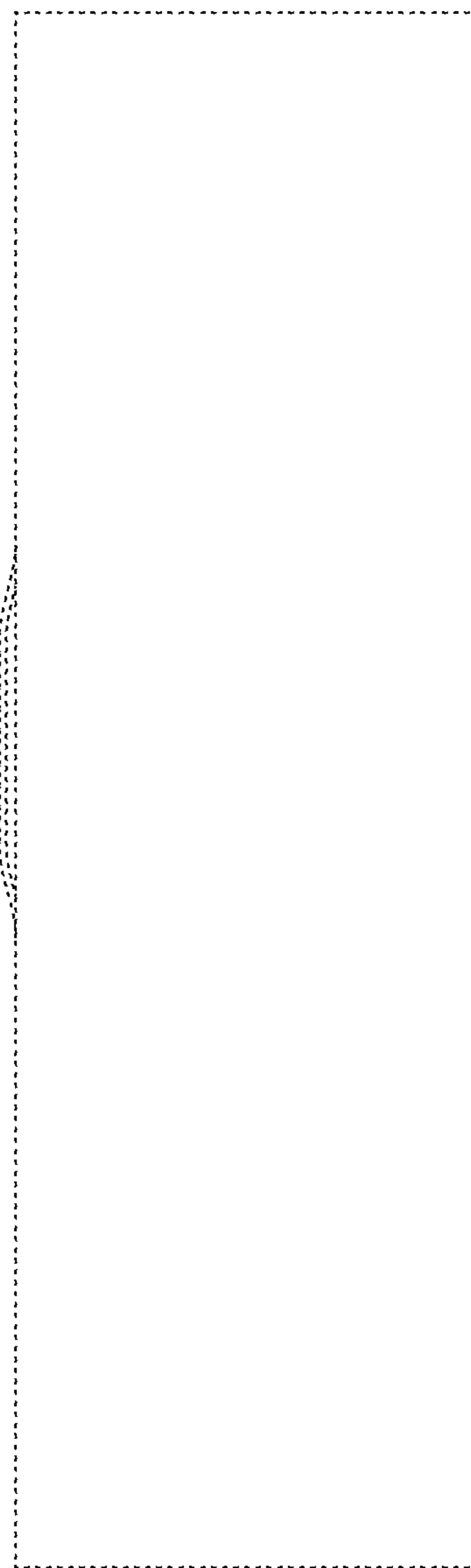
FIG. 2



*FIG. 3*



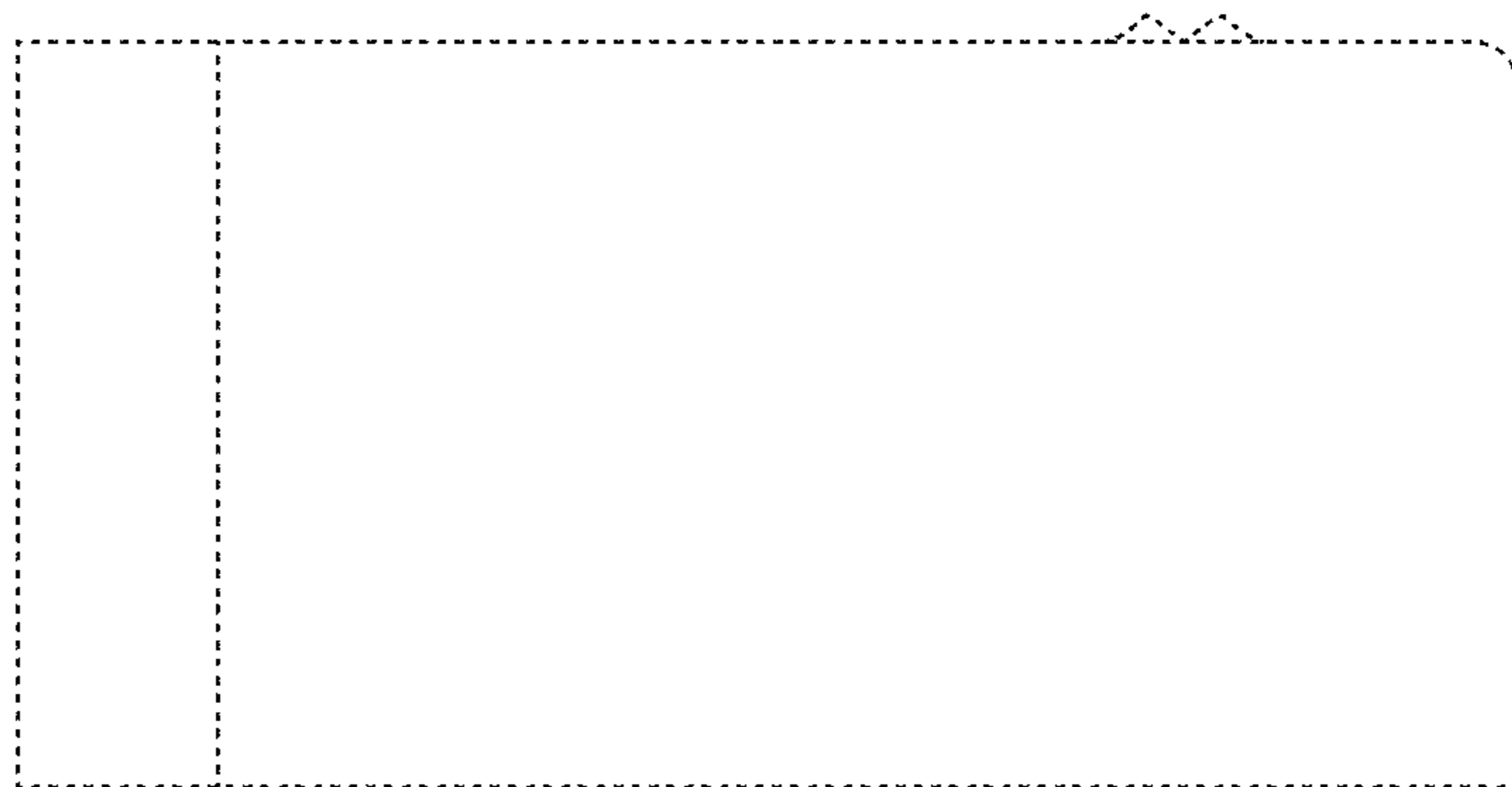
*FIG. 4*



*FIG. 5*



*FIG. 6*



*FIG. 7*

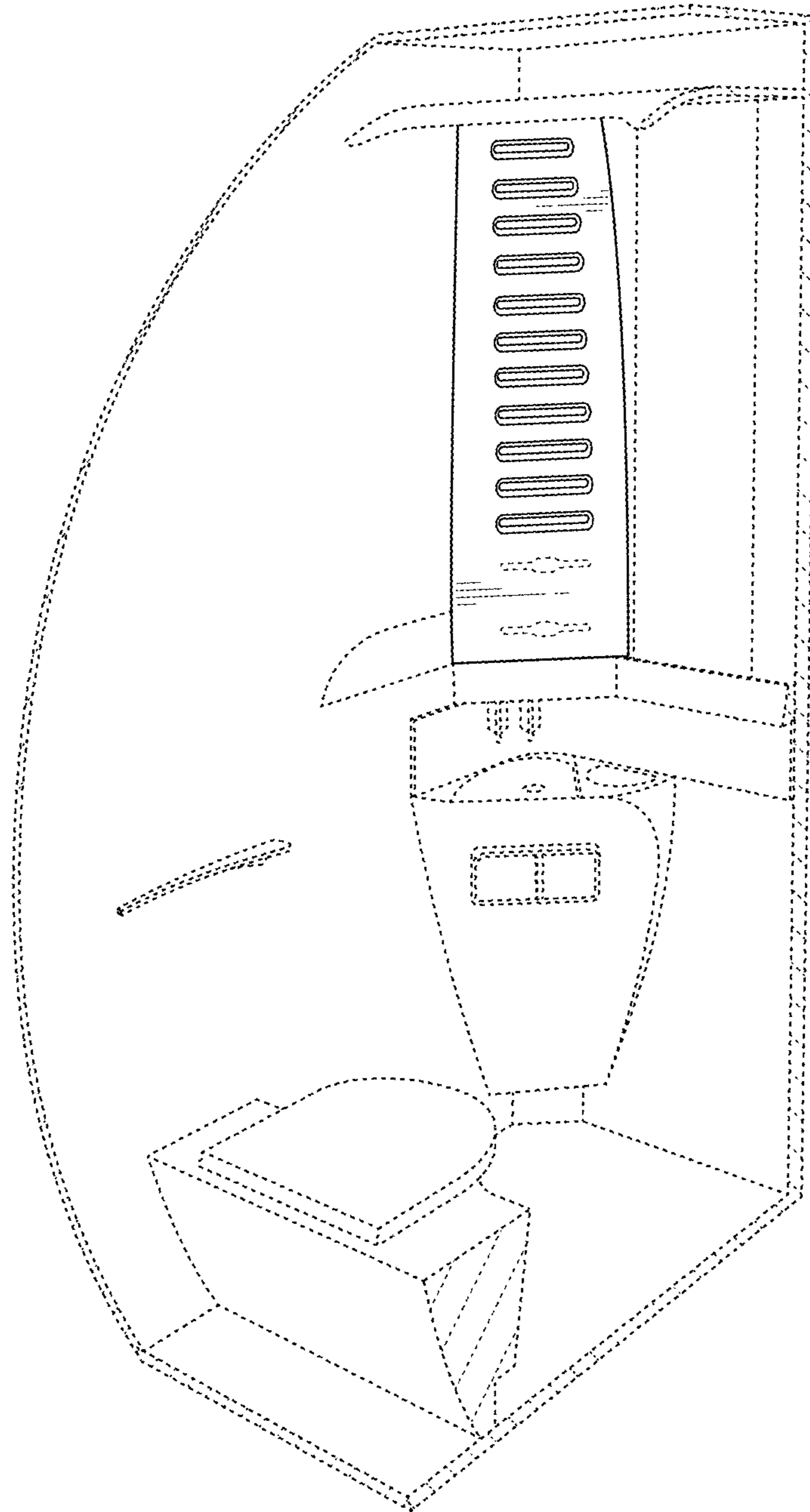
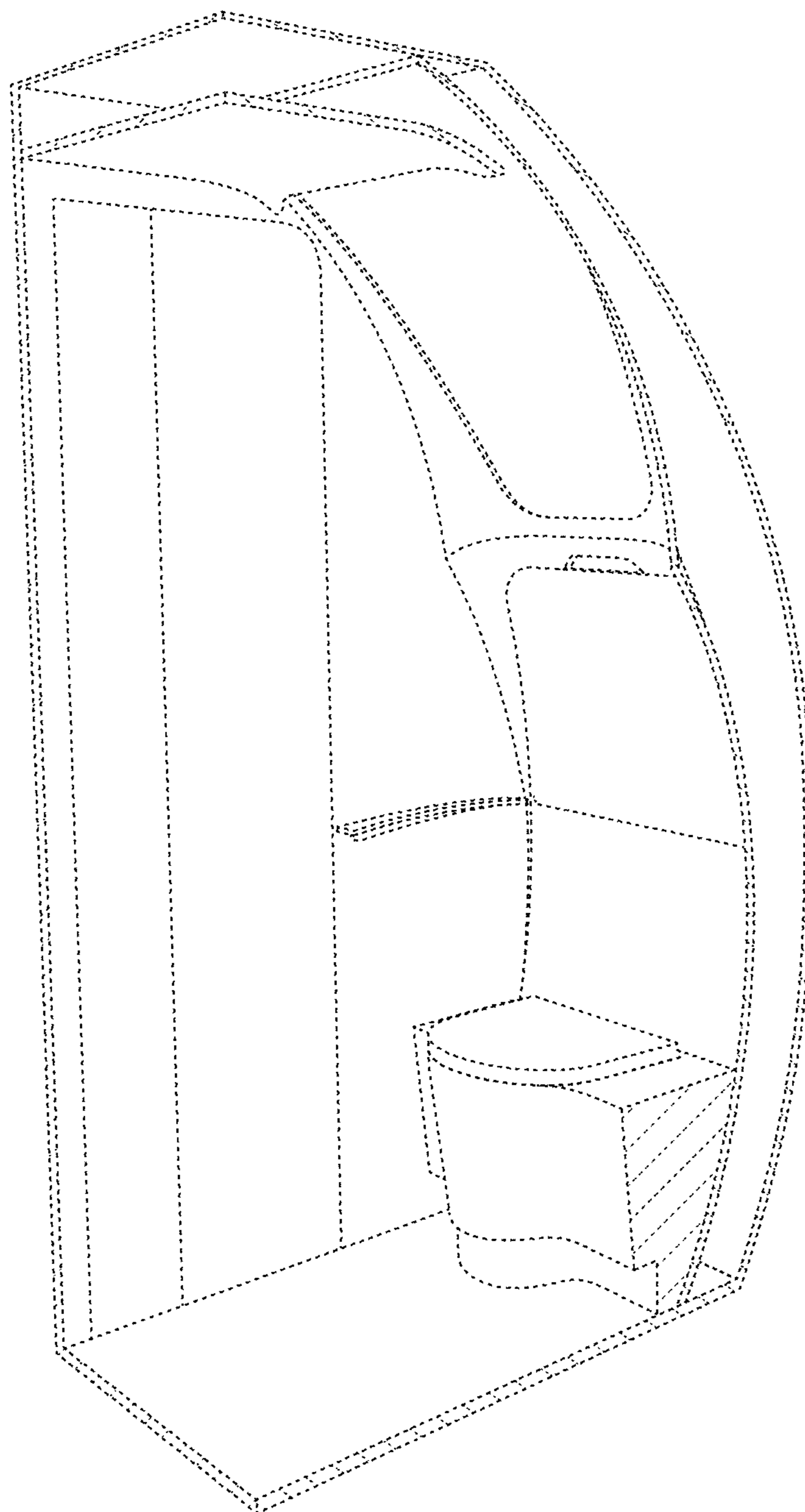


FIG. 8



**FIG. 9**