



US00D705909S

(12) **United States Design Patent**
Koyama et al.

(10) **Patent No.:** **US D705,909 S**
(45) **Date of Patent:** **** May 27, 2014**

(54) **AIRPLANE LAVATORY**

(71) Applicant: **The Yokohama Rubber Co., Ltd.**,
Tokyo (JP)

(72) Inventors: **Takashi Koyama**, Hiratsuka (JP);
Masayuki Fushimi, Koto-ku (JP)

(73) Assignee: **The Yokohama Rubber Co., Ltd.**,
Tokyo (JP)

(**) Term: **14 Years**

(21) Appl. No.: **29/468,354**

(22) Filed: **Sep. 30, 2013**

(30) **Foreign Application Priority Data**

Apr. 2, 2013 (JP) 2013-007428

(51) **LOC (10) Cl.** **23-02**

(52) **U.S. Cl.**
USPC **D23/274**

(58) **Field of Classification Search**

USPC D23/270–271, 274, 286, 303, 308;
D6/641–642, 648, 698; D12/345, 40,
D12/43; 244/119–120, 117 R

See application file for complete search history.

(56) **References Cited**

U.S. PATENT DOCUMENTS

D156,864 S * 1/1950 Brown et al. D23/284
5,150,863 A * 9/1992 Hozumi 244/118.5
D487,137 S * 2/2004 Itakura D23/274
D592,735 S * 5/2009 Scoley et al. D23/274
D593,647 S * 6/2009 Bock et al. D23/271

* cited by examiner

Primary Examiner — Robert Delehanty

(74) *Attorney, Agent, or Firm* — Banner & Witcoff, Ltd.

(57) **CLAIM**

The ornamental design for an airplane lavatory, as shown and described.

DESCRIPTION

FIG. 1 is a front, right perspective view of an airplane lavatory showing our new design;

FIG. 2 is a rear, left perspective view thereof;

FIG. 3 is a front view thereof;

FIG. 4 is a rear view thereof;

FIG. 5 is a left side view thereof;

FIG. 6 is a right side view thereof;

FIG. 7 is a top plan view thereof;

FIG. 8 is a bottom view thereof;

FIG. 9 is a sectional view taken along lines 9-9 shown in FIG. 3;

FIG. 10 is a sectional view taken along lines 10-10 shown in FIG. 5;

FIG. 11 is a sectional view taken along lines 11-11 shown in FIG. 5;

FIG. 12 is a sectional view taken along lines 12-12 shown in FIG. 7;

FIG. 13 is a front, left perspective view showing an interior part thereof;

FIG. 14 is a rear, left perspective view showing the interior part thereof; and,

FIG. 15 is a sectional view taken along lines 12-12 shown in FIG. 7 in a state where a folding shelf is unfolded.

The broken lines shown are included for the purpose of illustrating the unclaimed portions of the airplane lavatory and form no part of the claimed design.

1 Claim, 15 Drawing Sheets

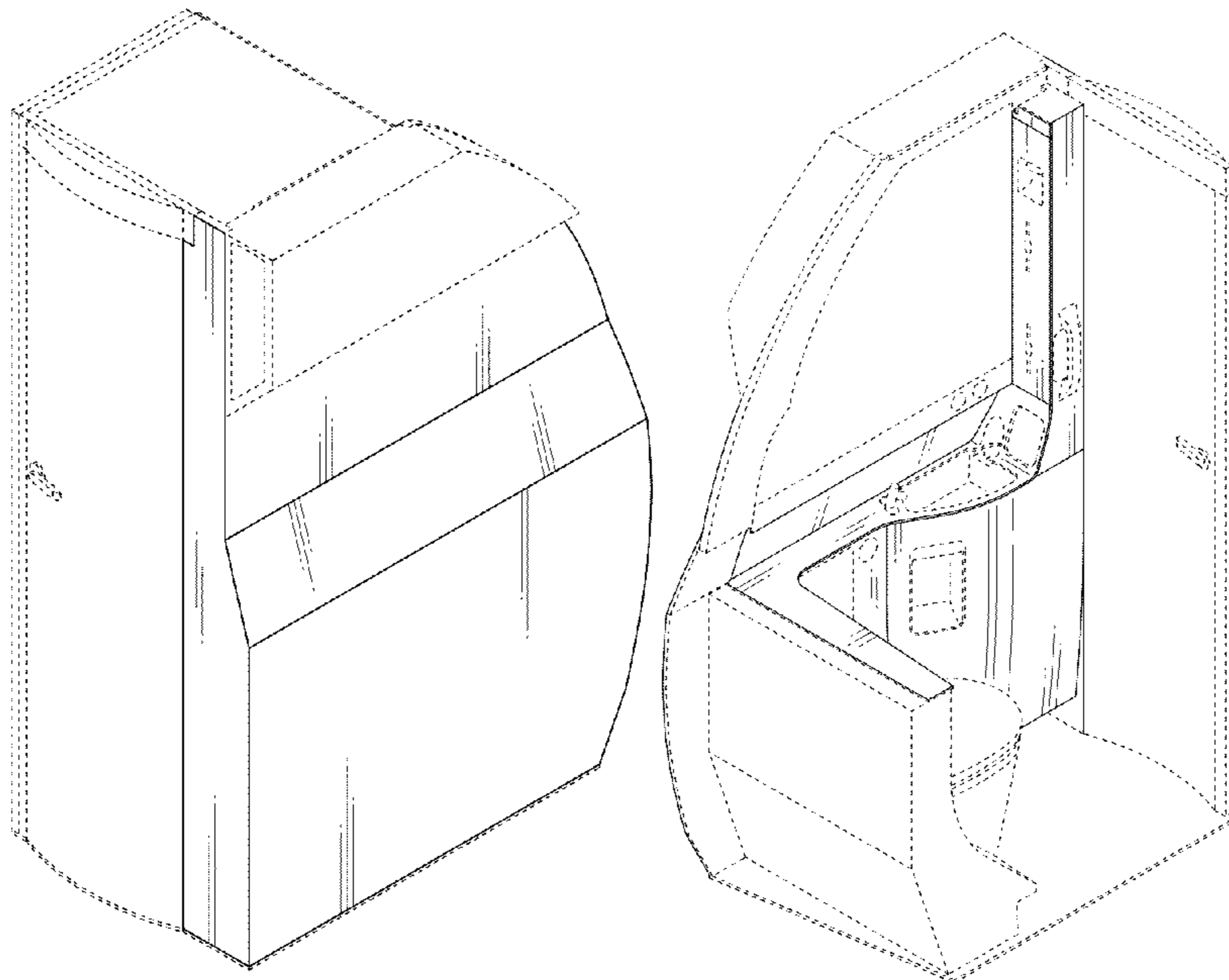


Fig. 1

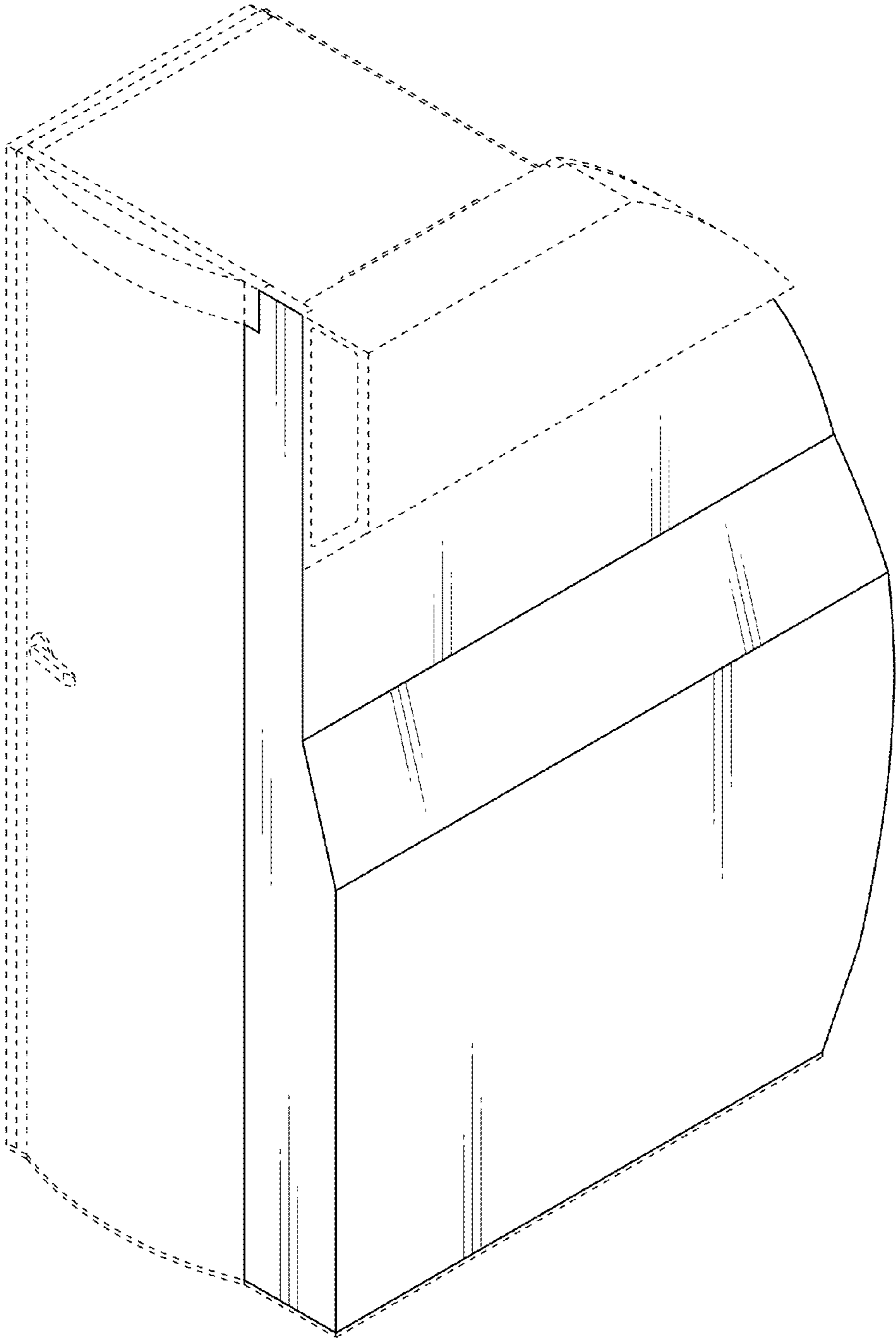


Fig. 2

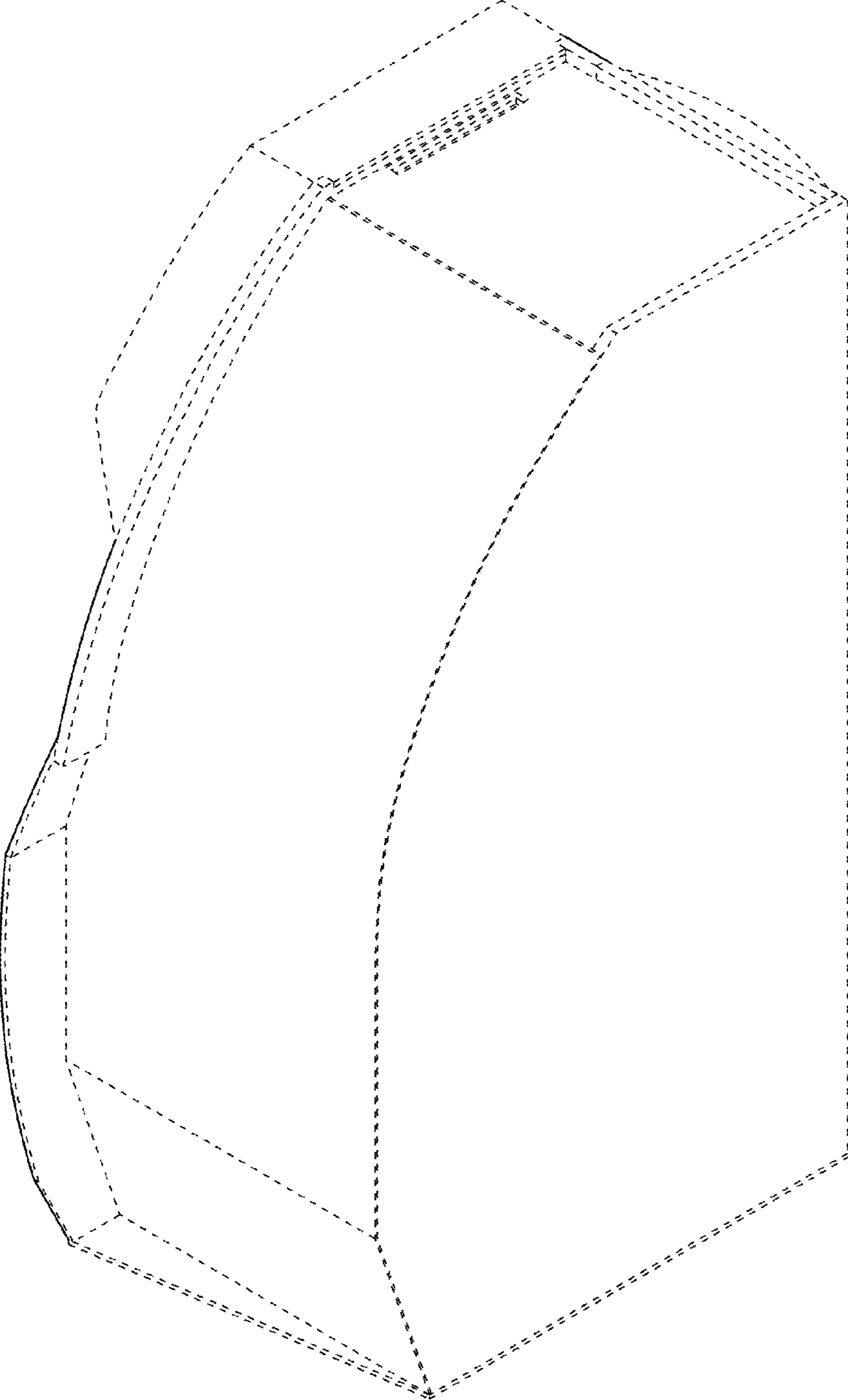


Fig. 3

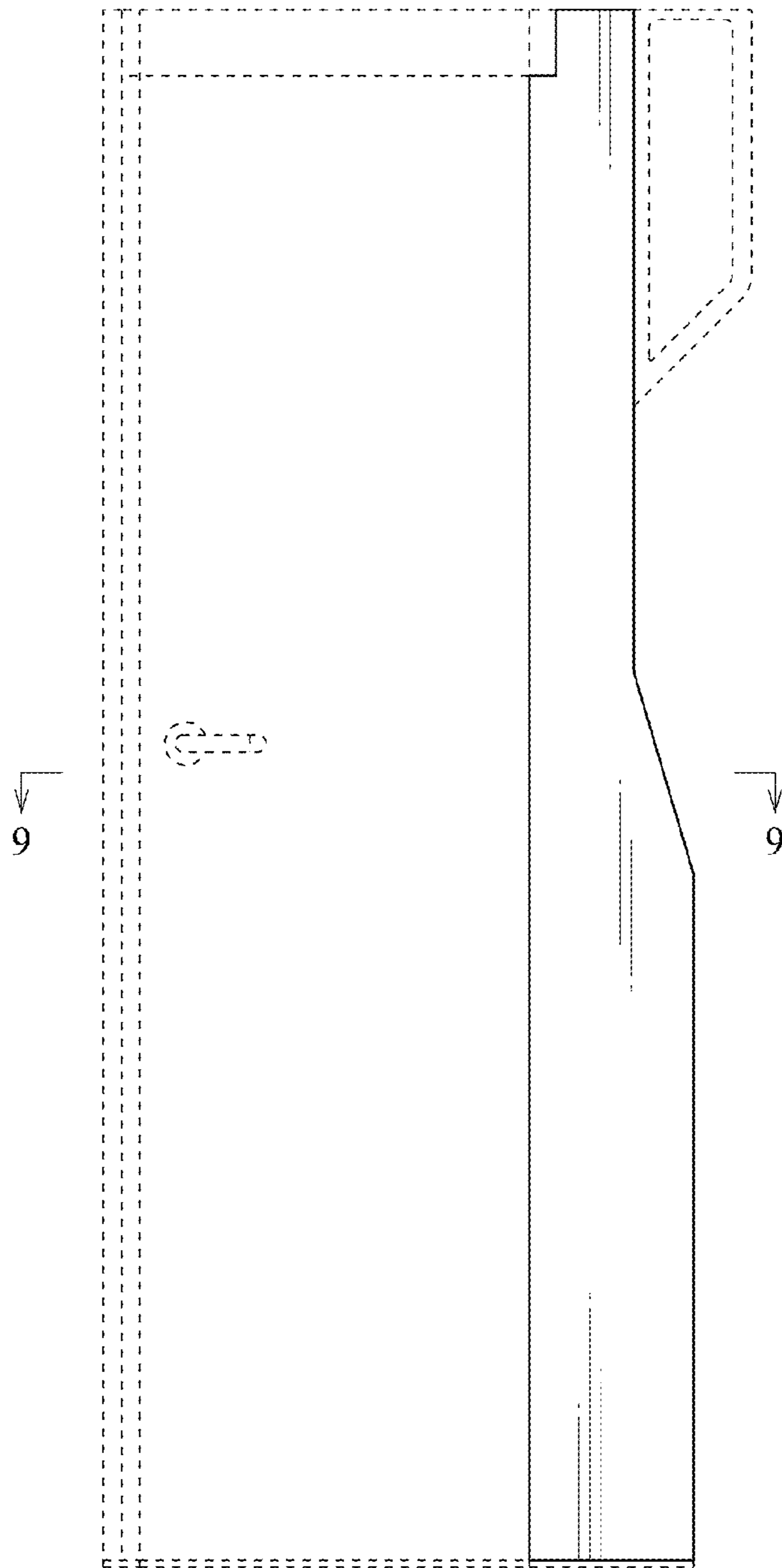


Fig. 4

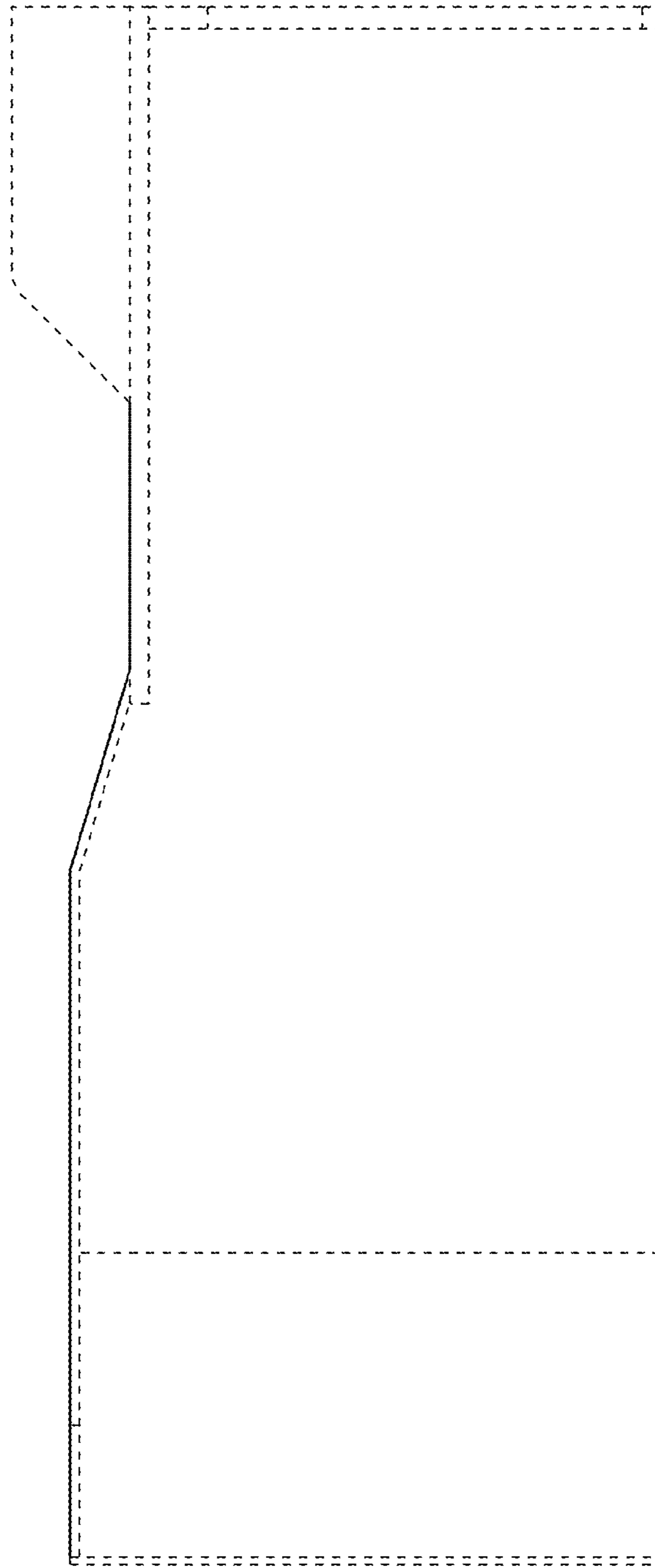


Fig. 5

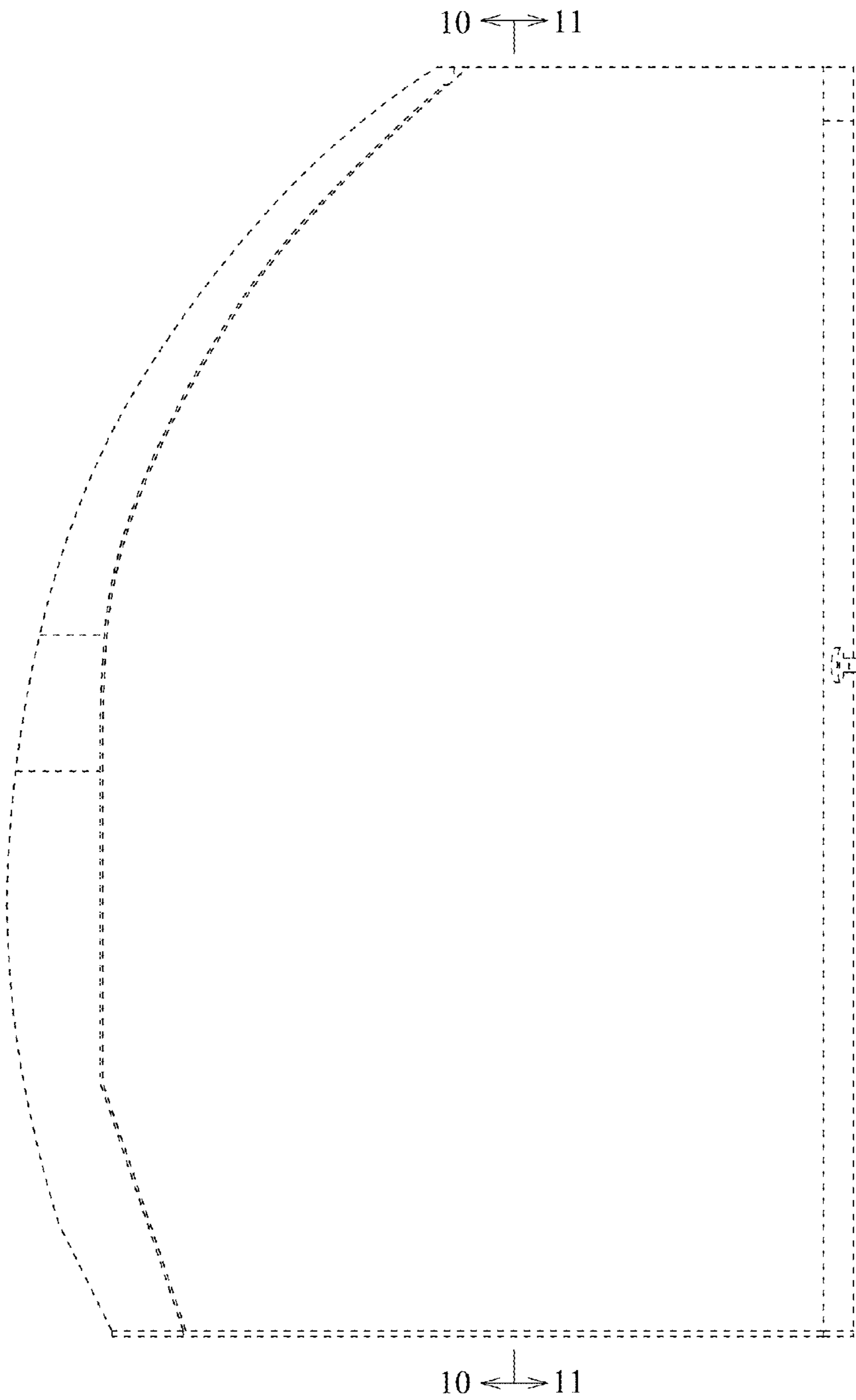


Fig. 6

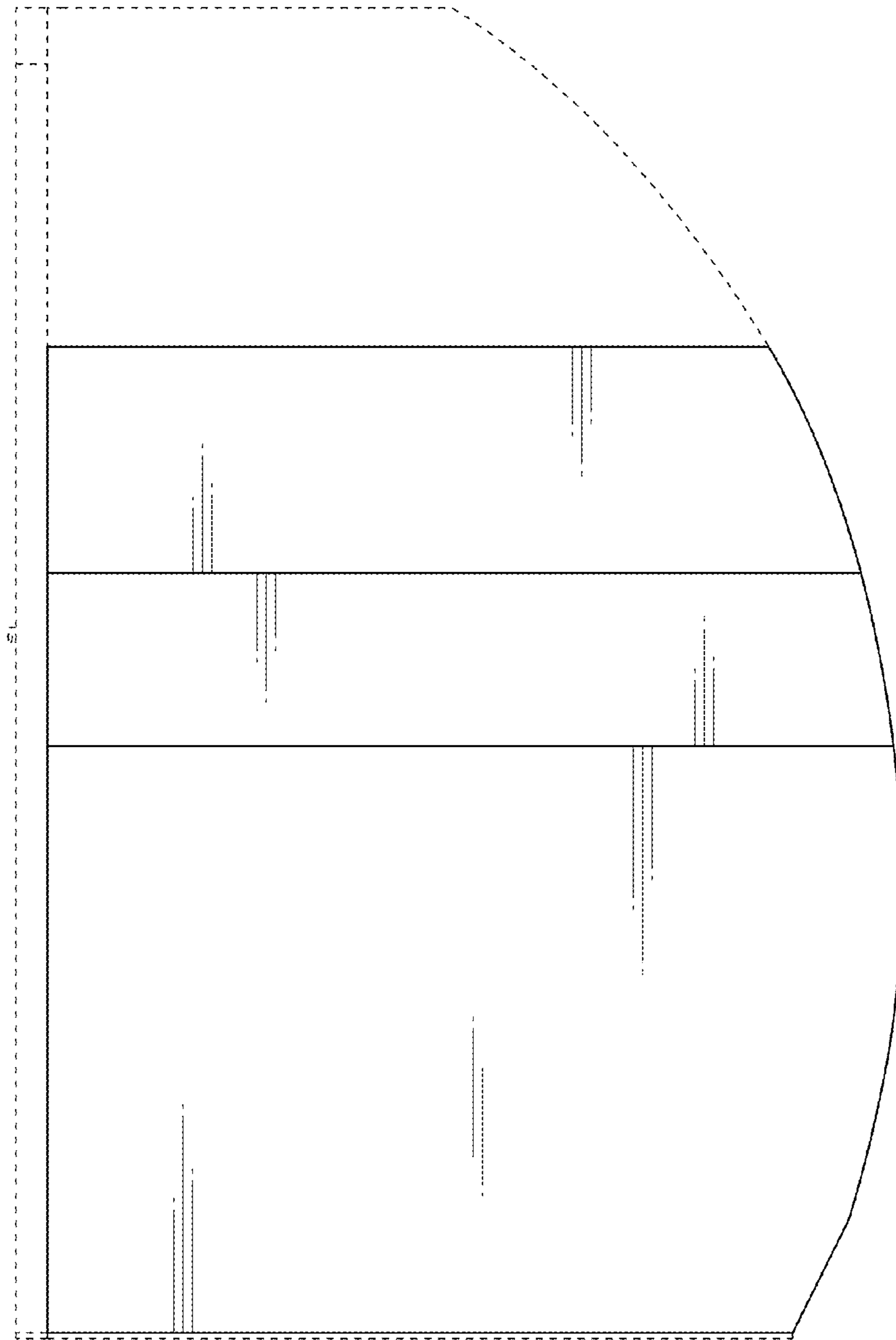


Fig. 7

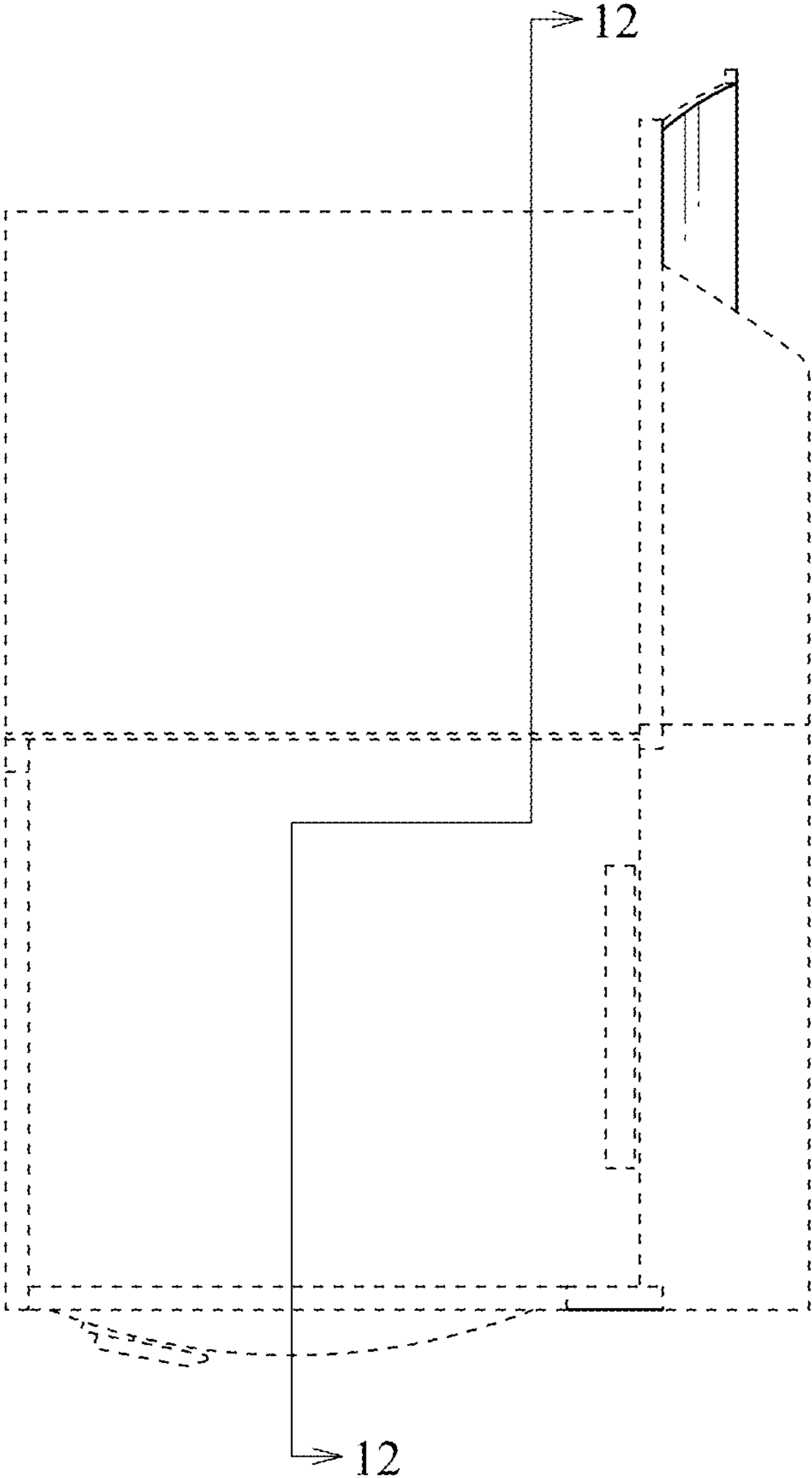


Fig. 8

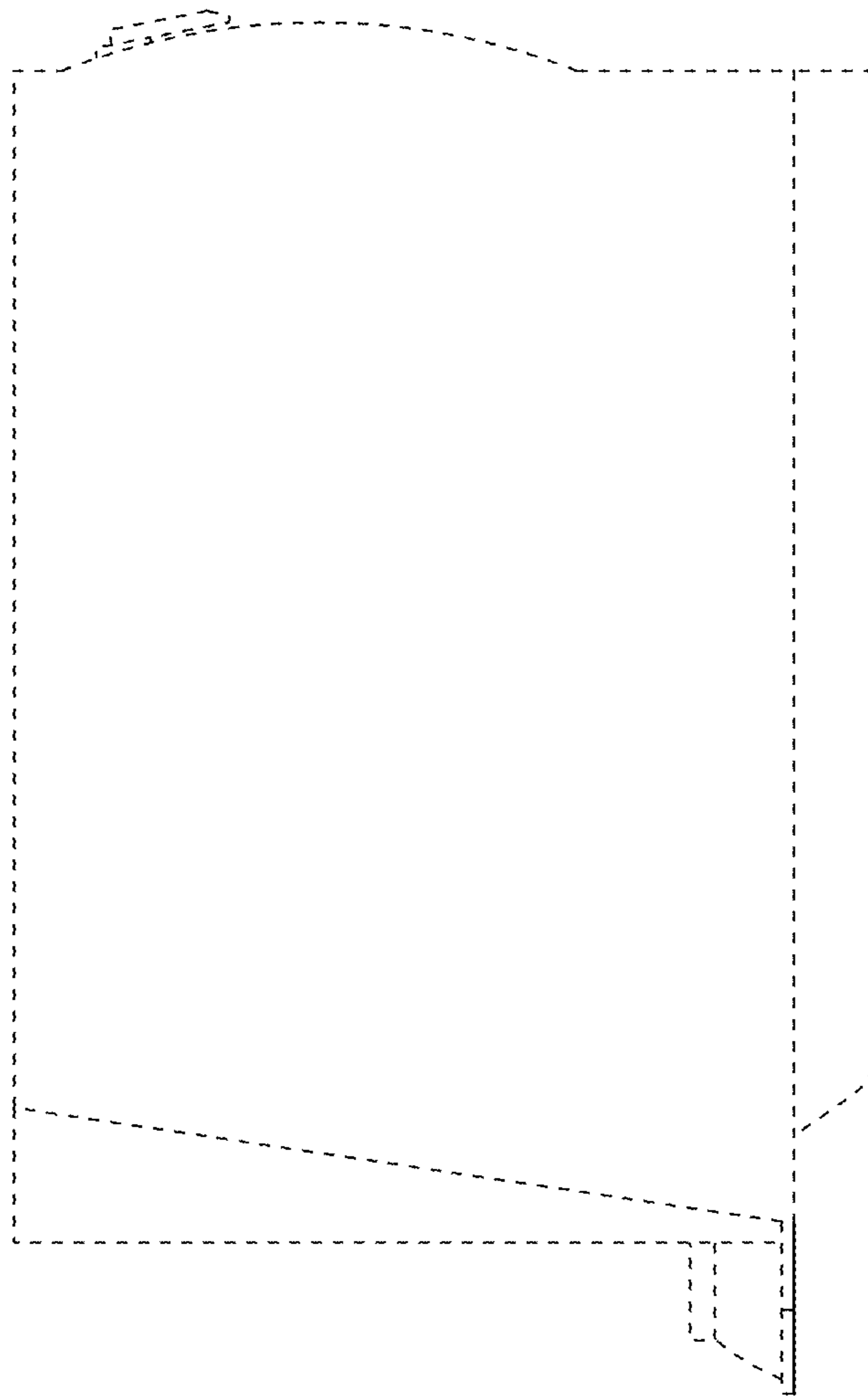


Fig. 9

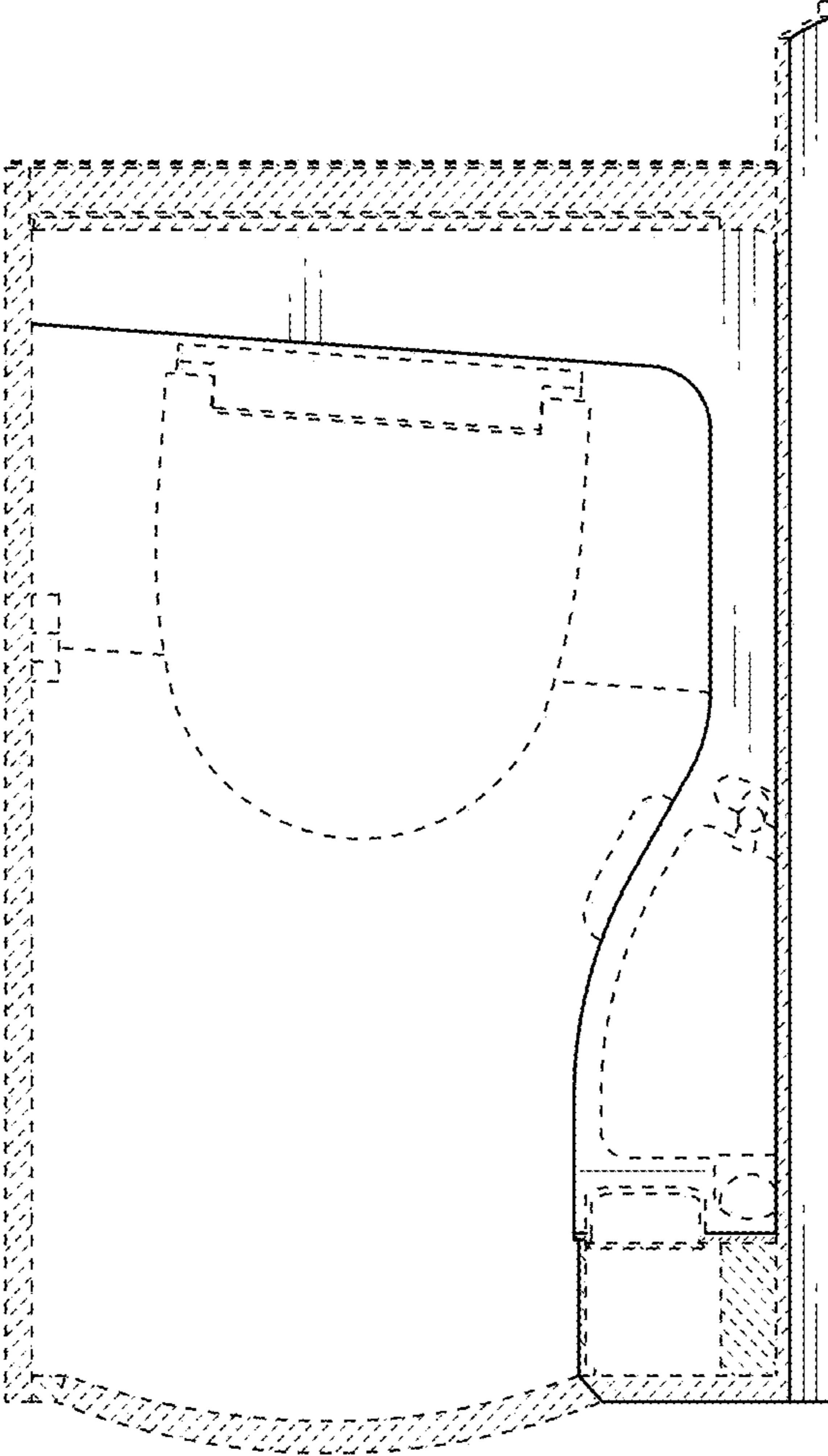


Fig. 10

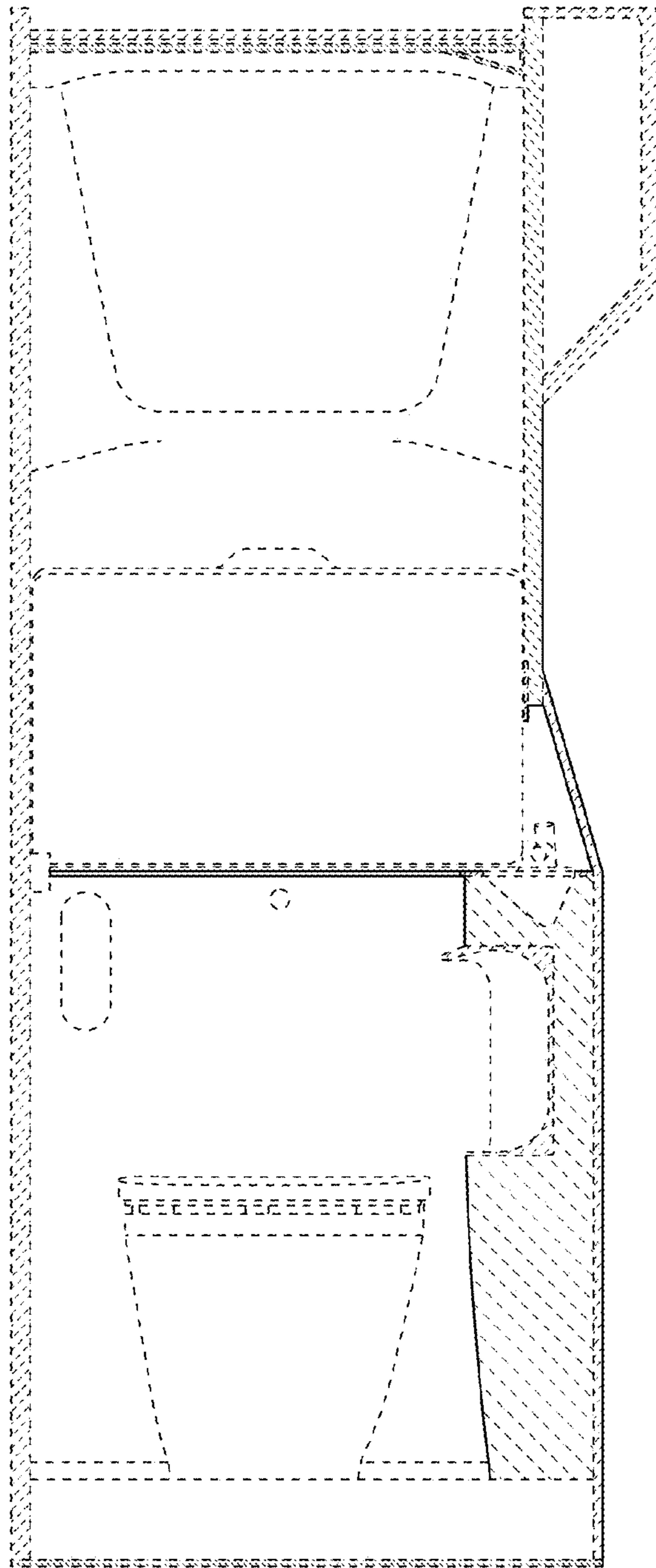


Fig. 11

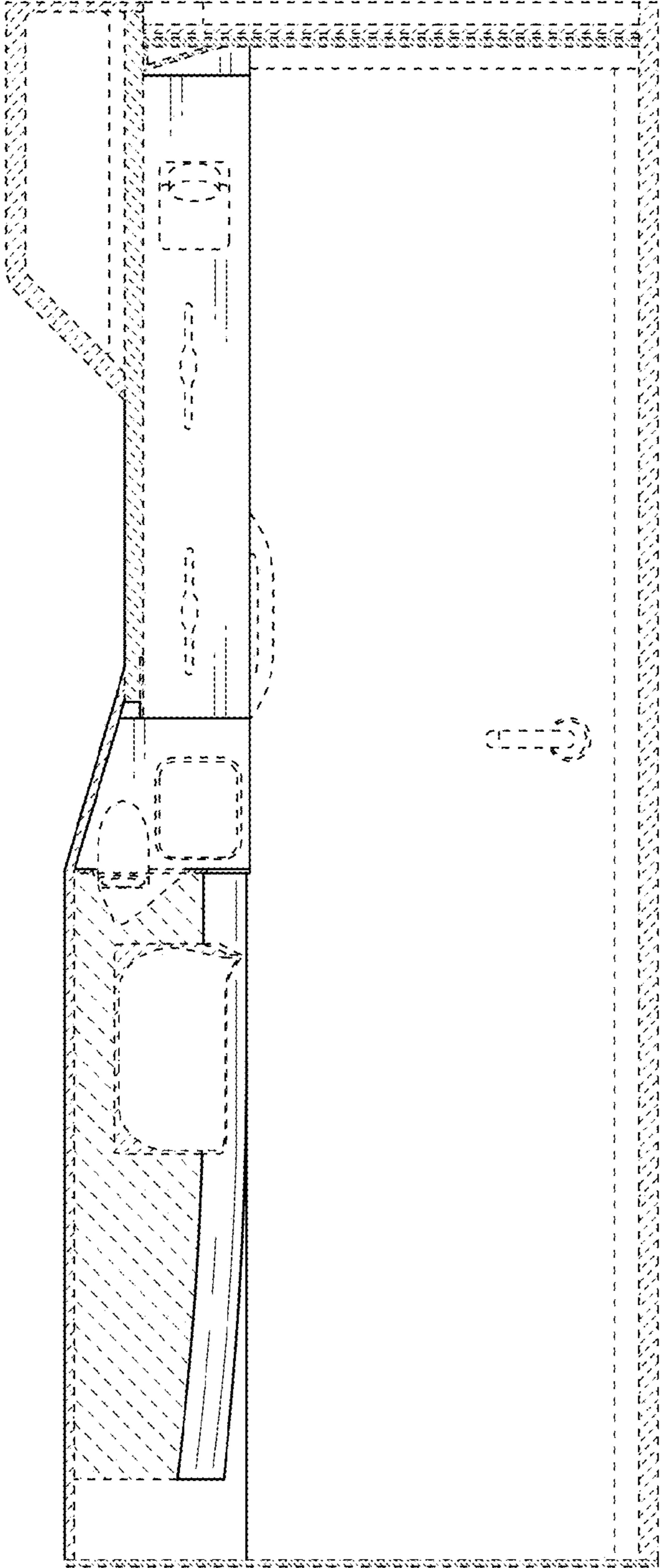


Fig. 12

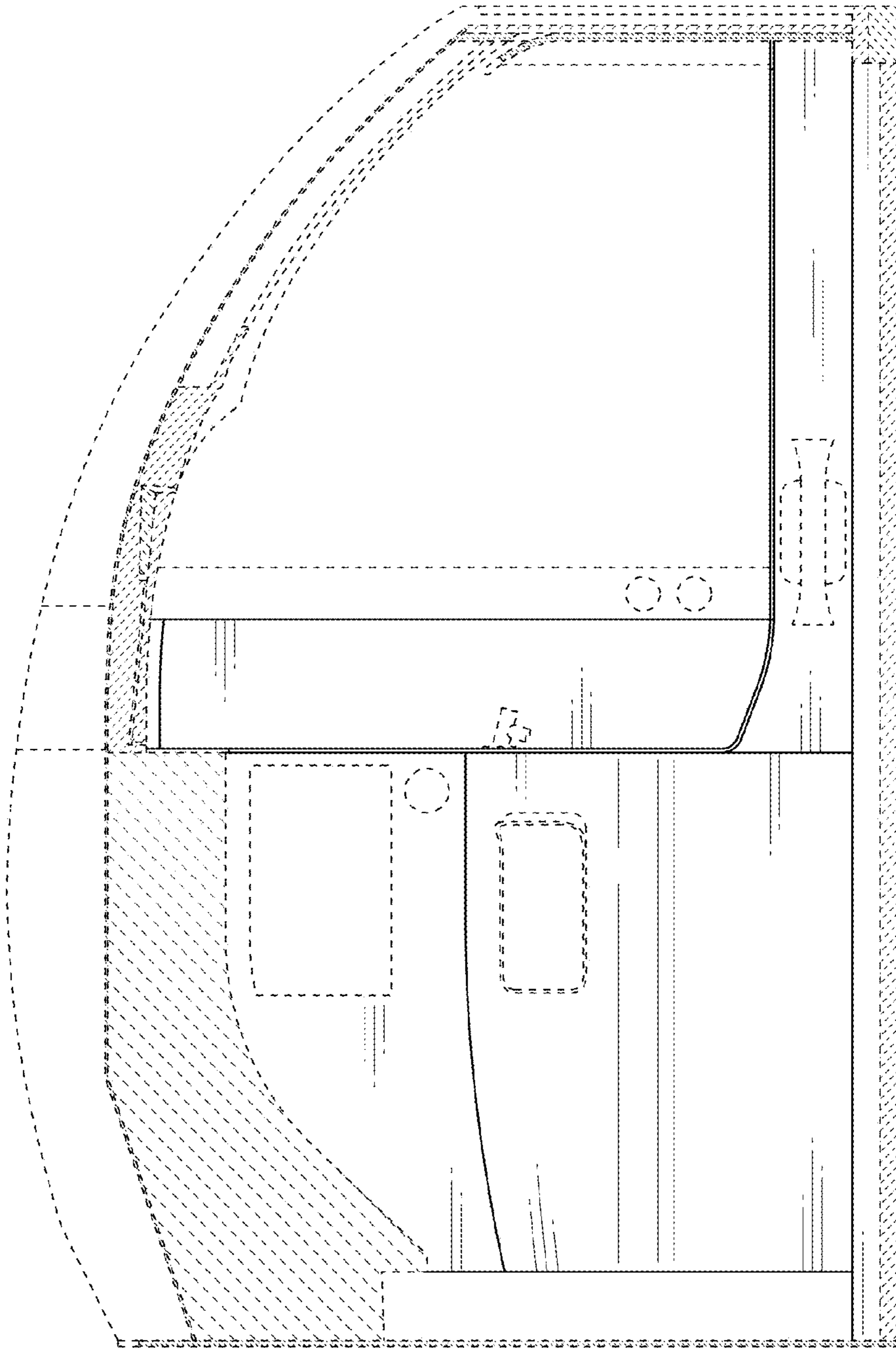


Fig. 13

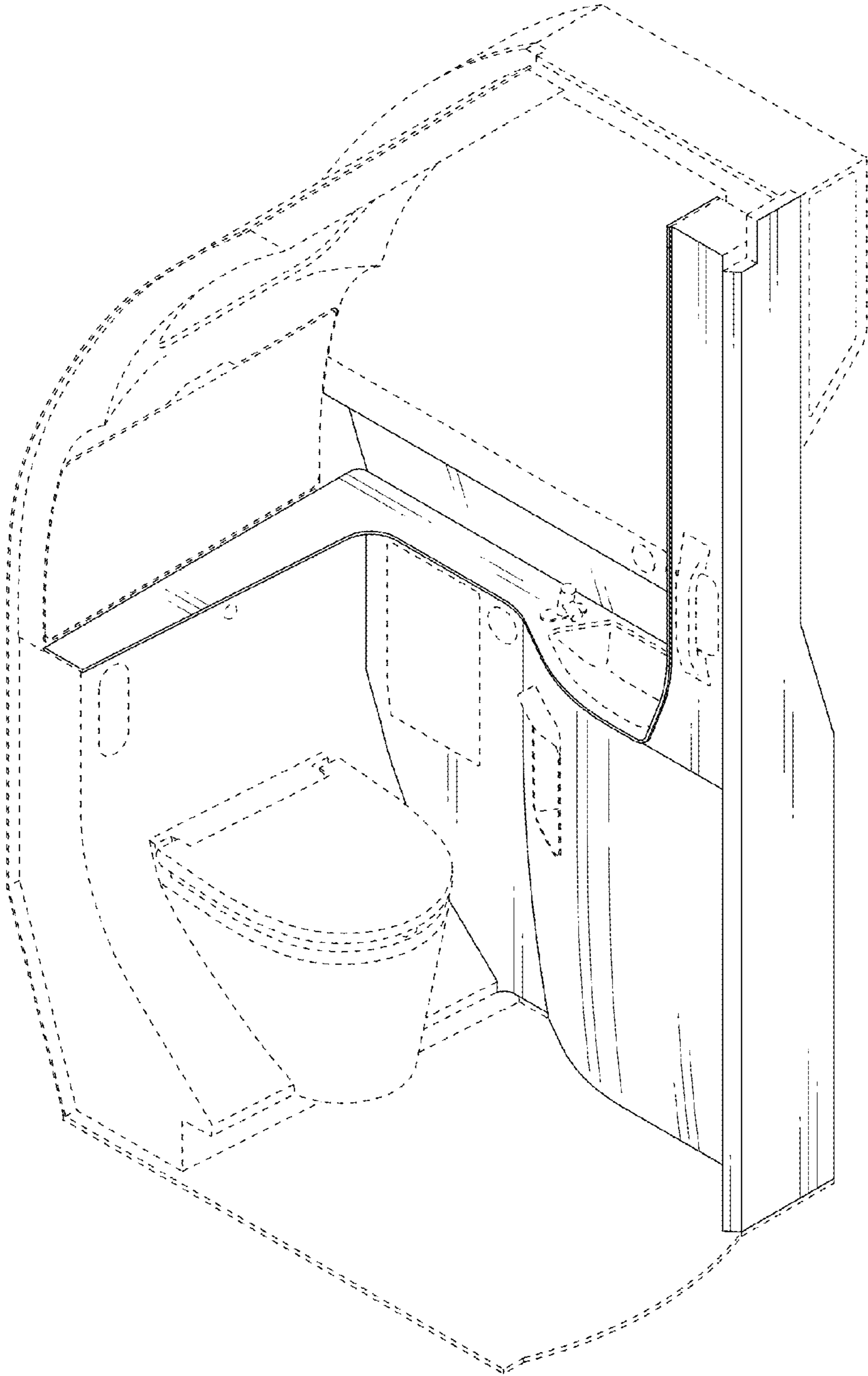


Fig. 14

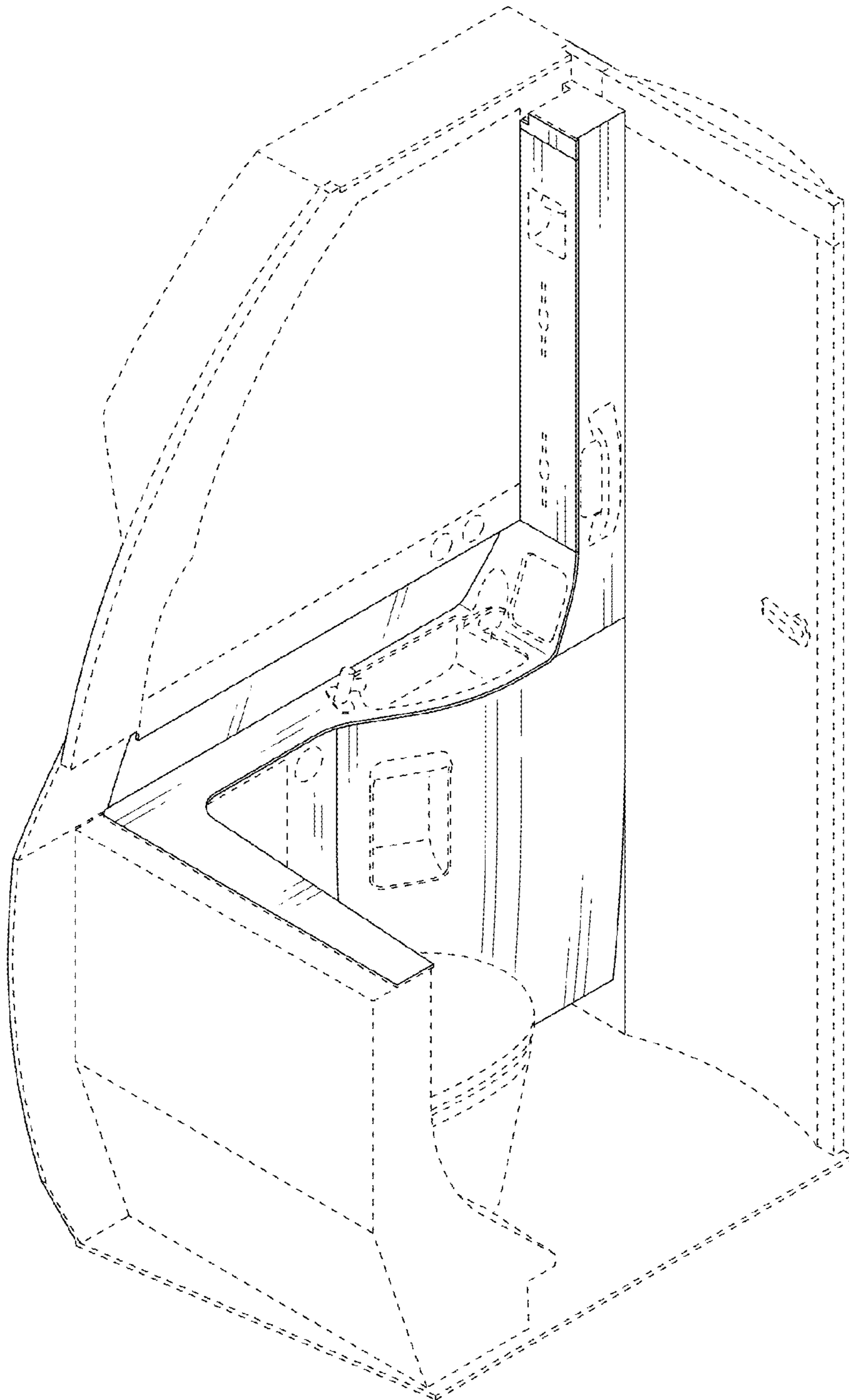


Fig. 15

