



US00D705906S

(12) **United States Design Patent**
Koyama et al.

(10) **Patent No.:** **US D705,906 S**

(45) **Date of Patent:** **** May 27, 2014**

(54) **TOILET UNIT**

(71) Applicant: **The Yokohama Rubber Co., Ltd.**,
Tokyo (JP)

(72) Inventors: **Takashi Koyama**, Kanagawa (JP);
Masayuki Fushimi, Tokyo (JP)

(73) Assignee: **The Yokohama Rubber Co., Ltd.**,
Tokyo (JP)

(**) Term: **14 Years**

(21) Appl. No.: **29/445,095**

(22) Filed: **Feb. 7, 2013**

(30) **Foreign Application Priority Data**

Aug. 7, 2012 (JP) 2012-018953

(51) **LOC (10) Cl.** **23-02**

(52) **U.S. Cl.**
USPC **D23/274**; D6/716.2

(58) **Field of Classification Search**
USPC D23/270-271, 274, 303; 4/210,
4/DIG. 15, 664; D12/345, 317-318, 40,
D12/43; 244/119-120, 117 R; D24/234;
D6/716.2, 379

See application file for complete search history.

(56) **References Cited**

U.S. PATENT DOCUMENTS

345,890 A * 7/1886 Farson 4/664
D343,537 S * 1/1994 Harde D6/501

D420,233 S * 2/2000 Smith et al. D6/501
D472,410 S * 4/2003 Yeh D6/501
D476,513 S * 7/2003 Lee D6/501
D551,870 S * 10/2007 Jongerius et al. D6/379
D583,296 S * 12/2008 Tsay et al. D12/345
D593,646 S * 6/2009 Bock et al. D23/271
D613,667 S * 4/2010 Bock D12/345
D615,476 S * 5/2010 Bock D12/345

* cited by examiner

Primary Examiner — Robert Delehanty

(74) *Attorney, Agent, or Firm* — Banner & Witcoff, Ltd.

(57) **CLAIM**

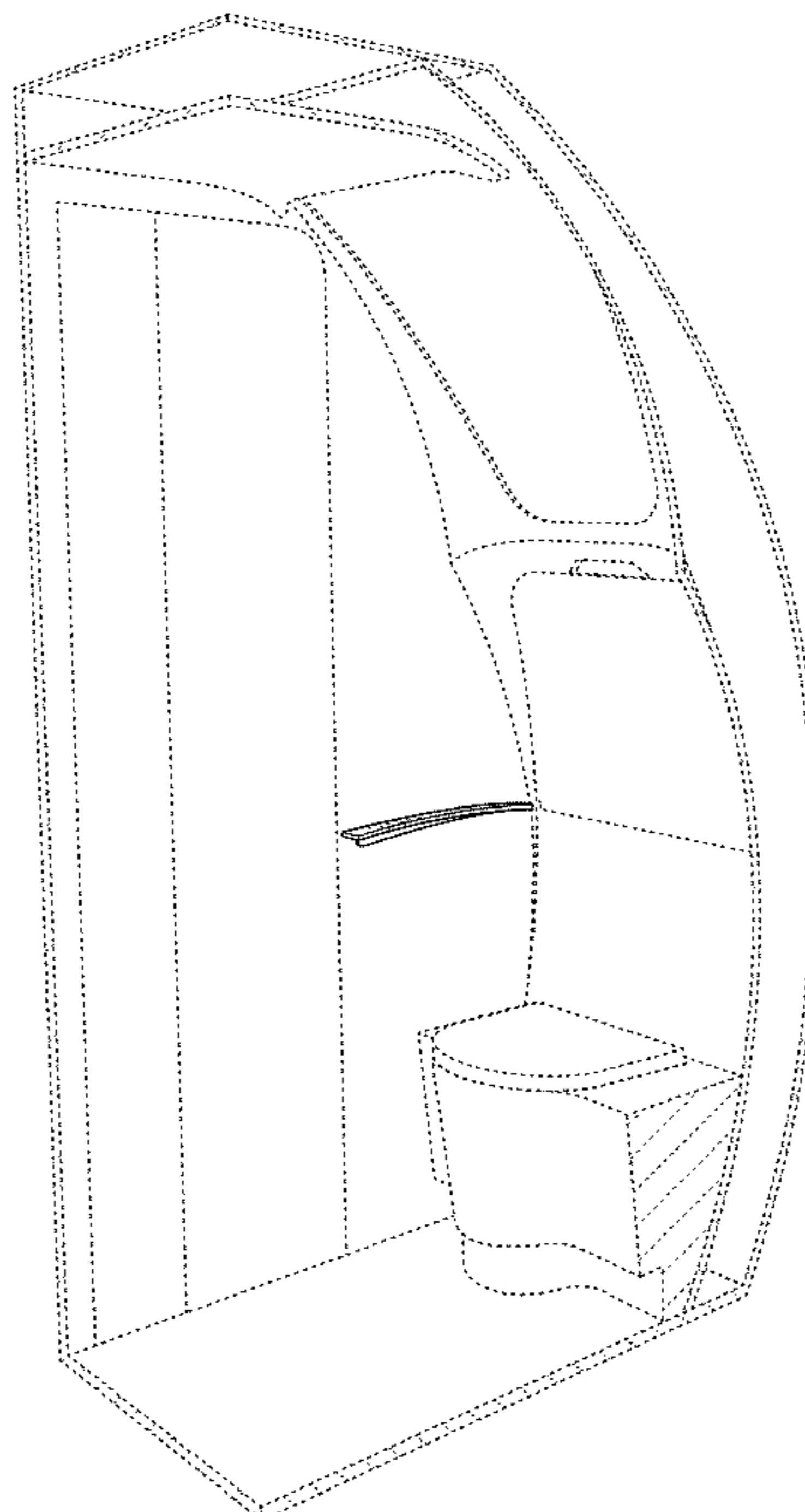
The ornamental design for a toilet unit as shown and described.

DESCRIPTION

FIG. 1 is a perspective view of front and right side of a toilet unit showing our new design;
FIG. 2 is a front view thereof;
FIG. 3 is a rear view thereof;
FIG. 4 is a left side view thereof;
FIG. 5 is a right side view thereof;
FIG. 6 is a top view thereof;
FIG. 7 is a bottom view thereof;
FIG. 8 is a perspective view showing an interior thereof; and,
FIG. 9 is another perspective view showing an interior thereof.

The portions of the article in broken lines are shown for illustrative purposes only and form no part of the claimed design.

1 Claim, 7 Drawing Sheets



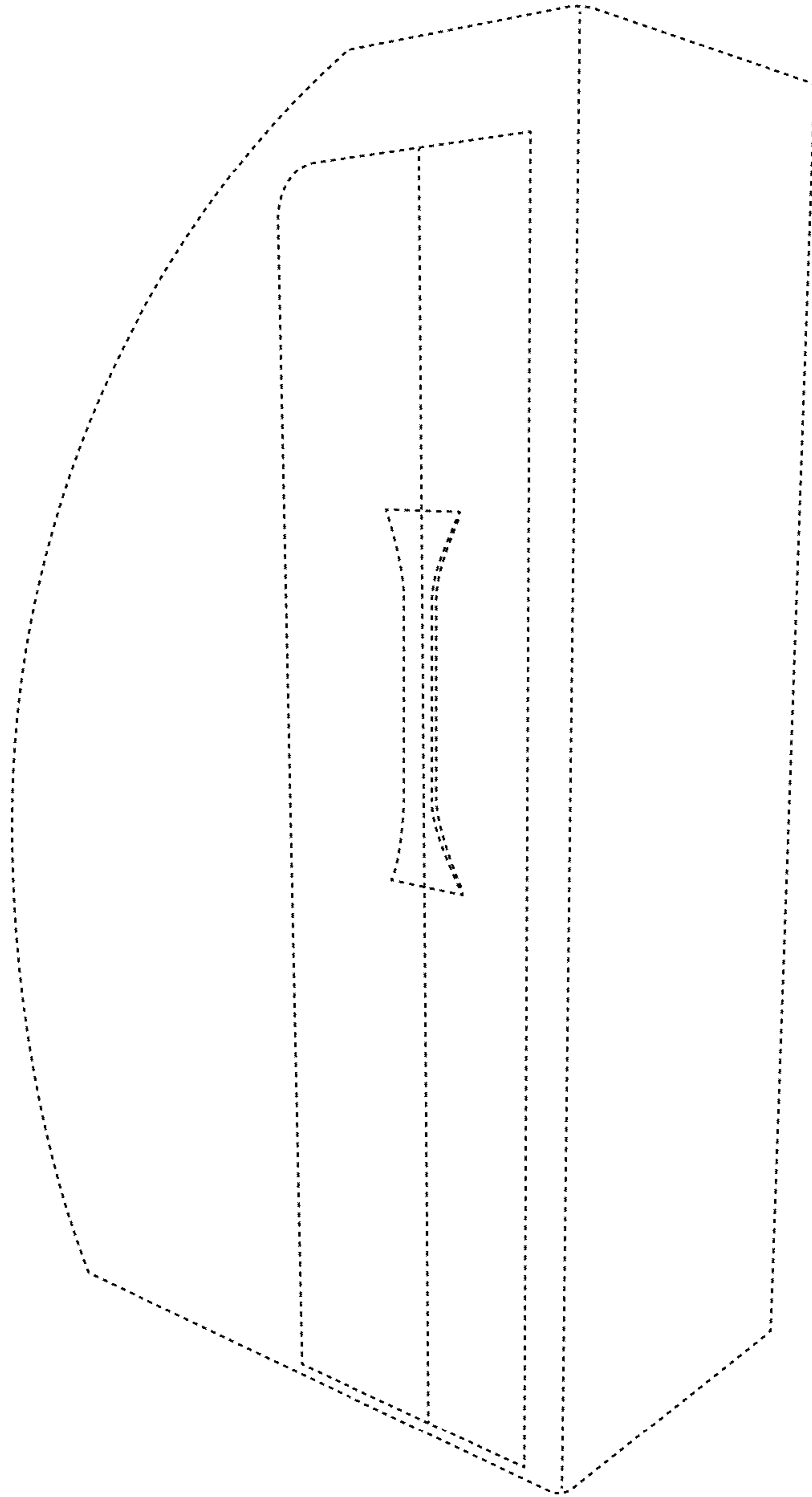


FIG. 1

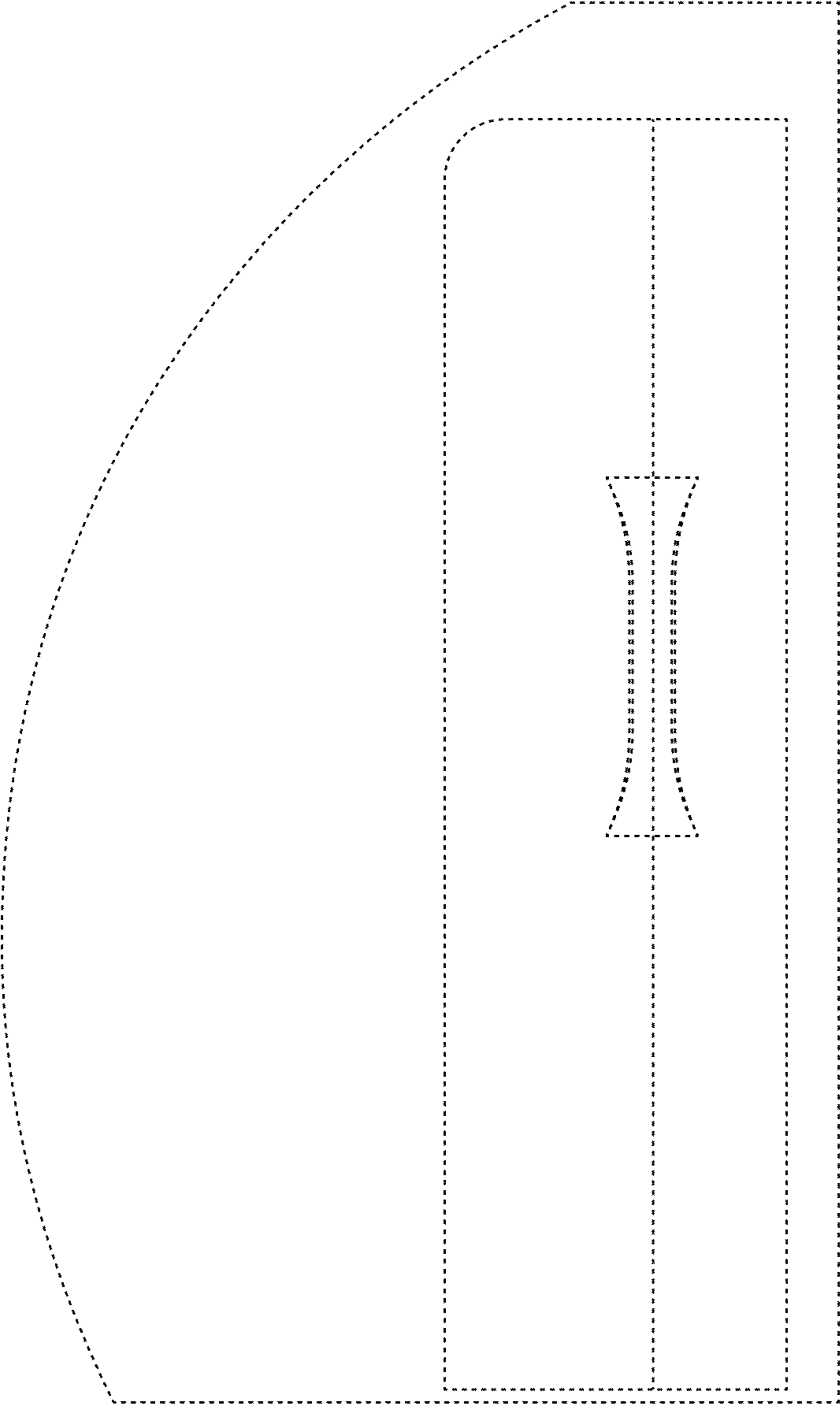


FIG. 2

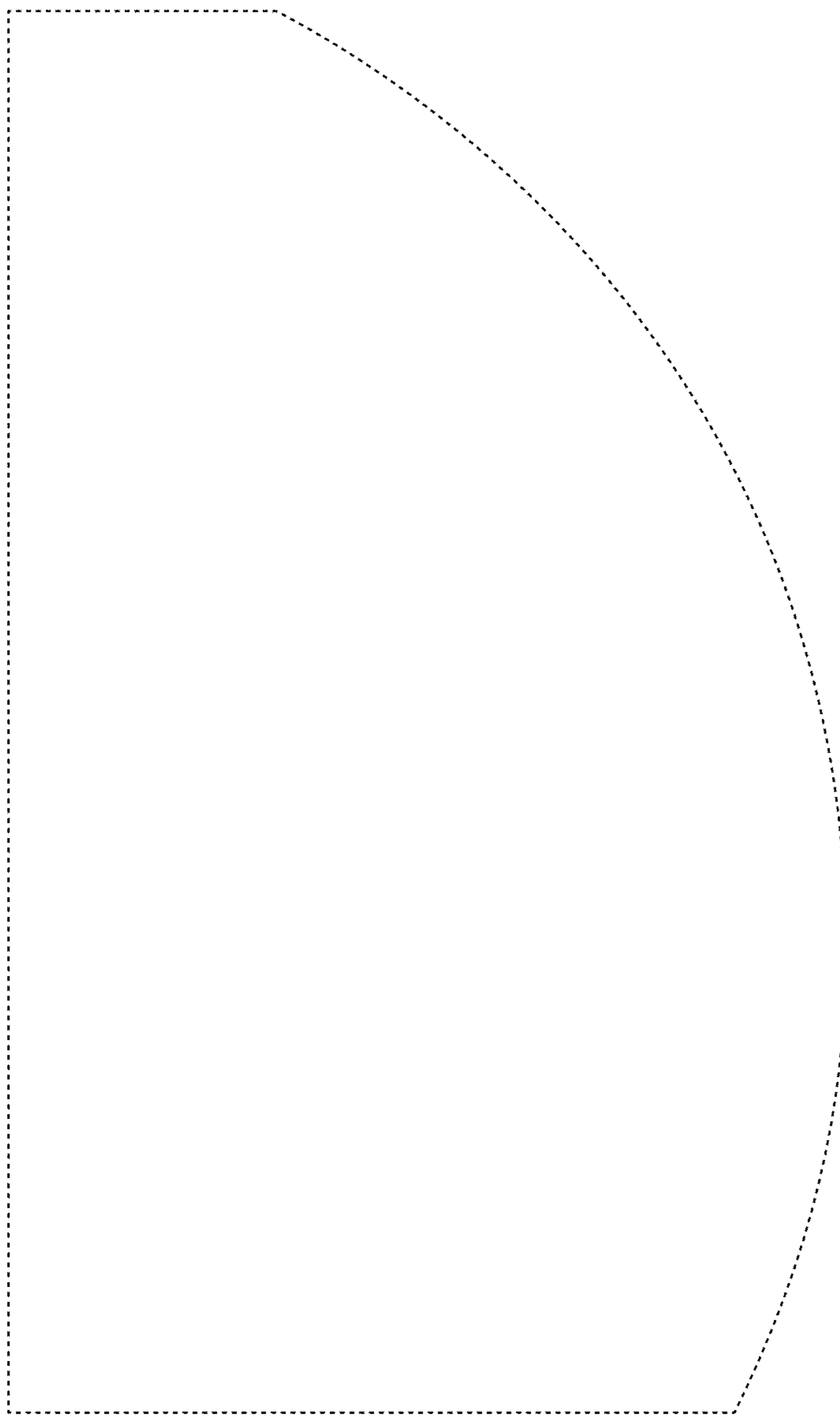


FIG. 3

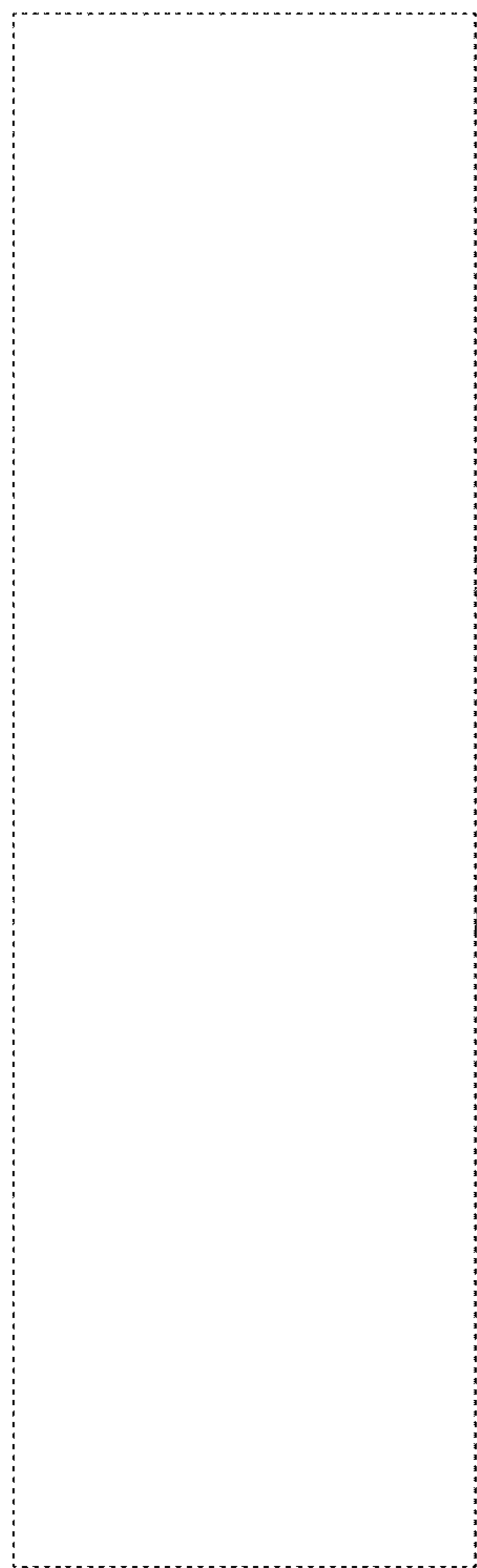


FIG. 4

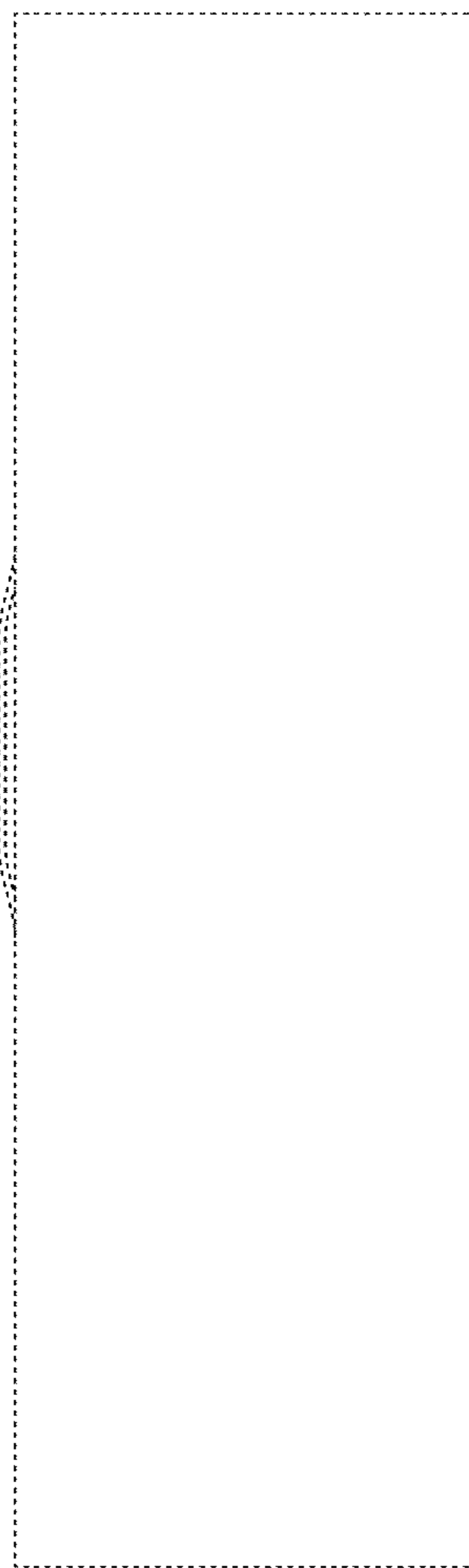


FIG. 5

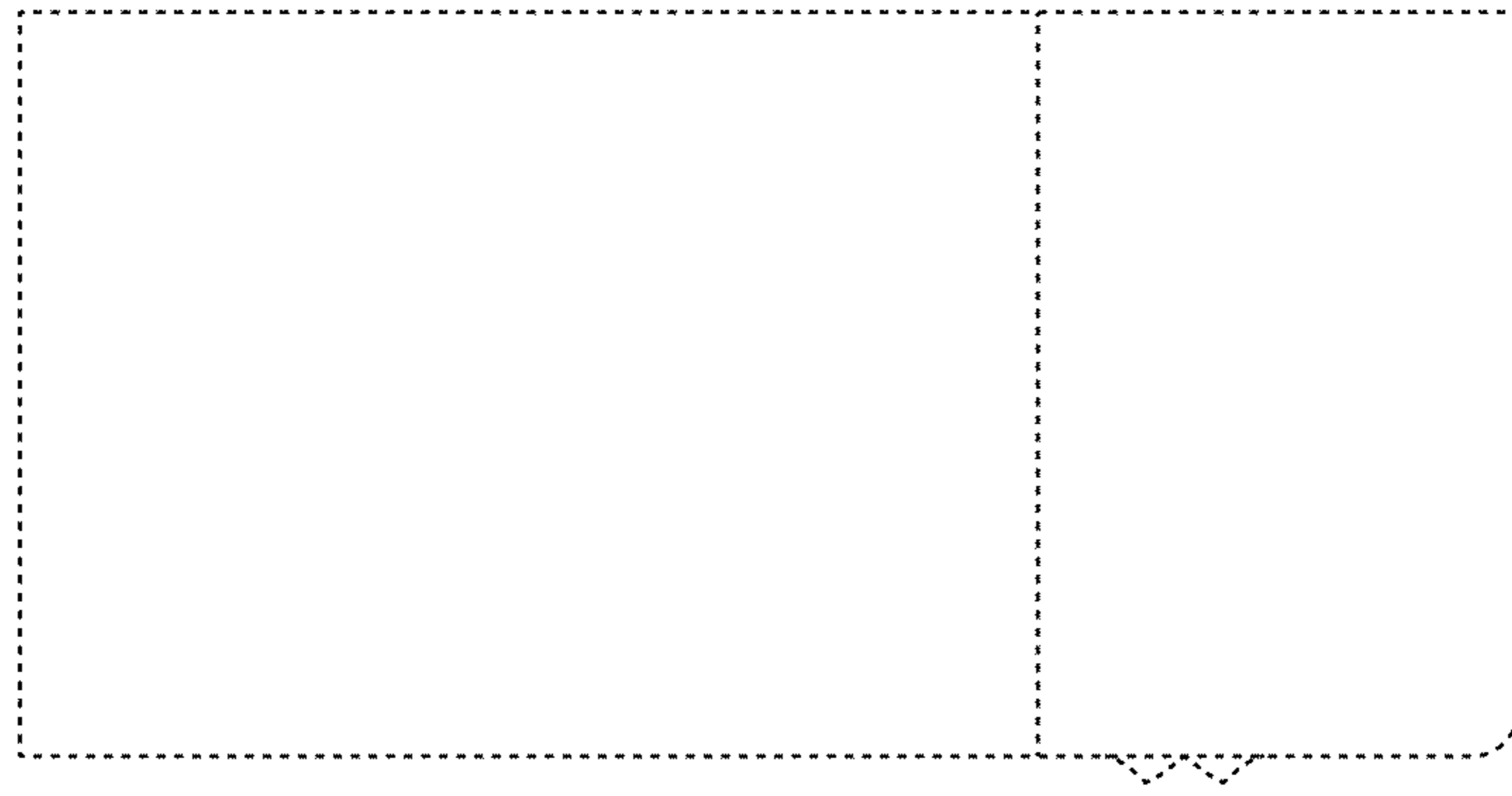


FIG. 6

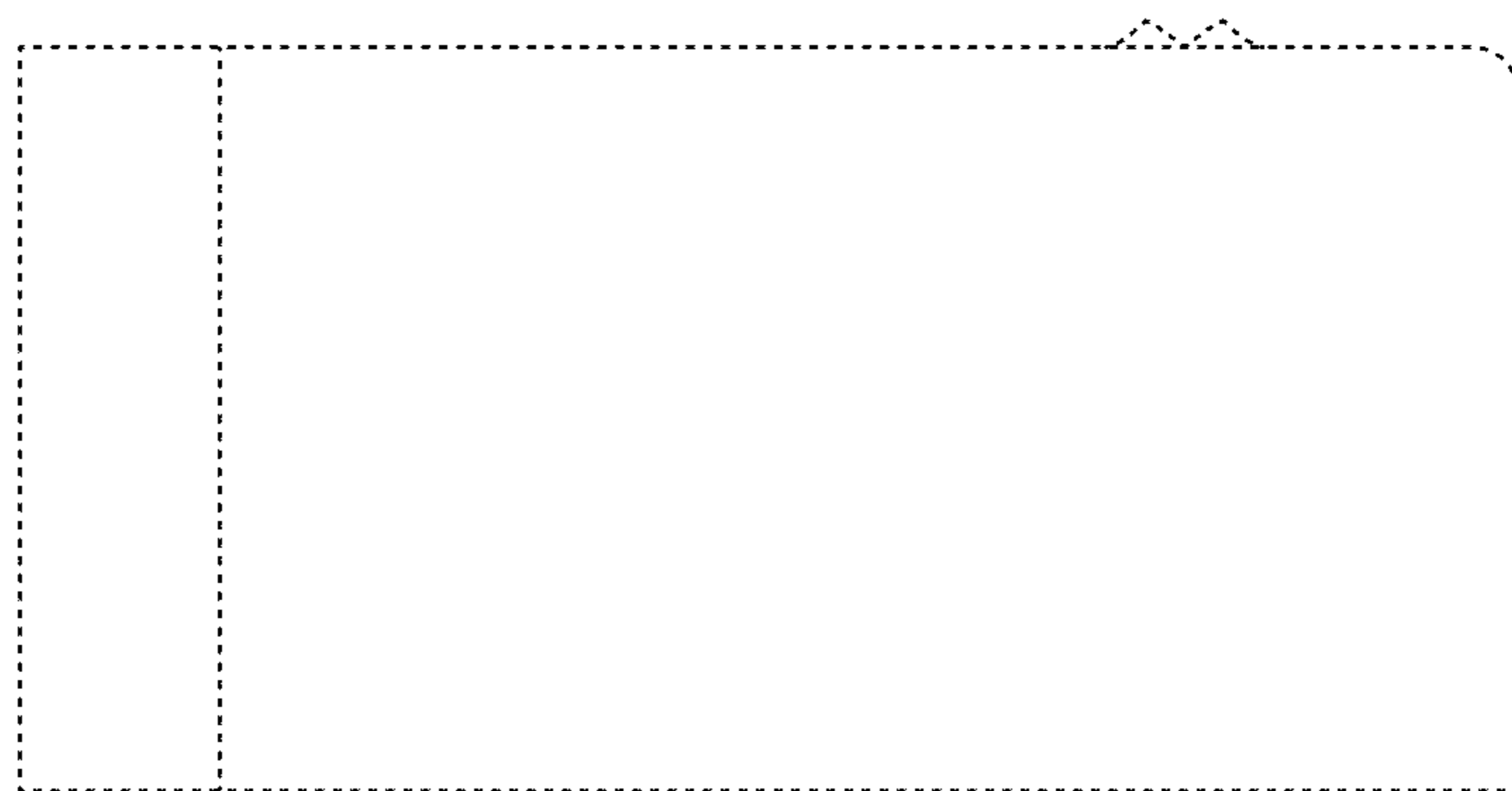


FIG. 7

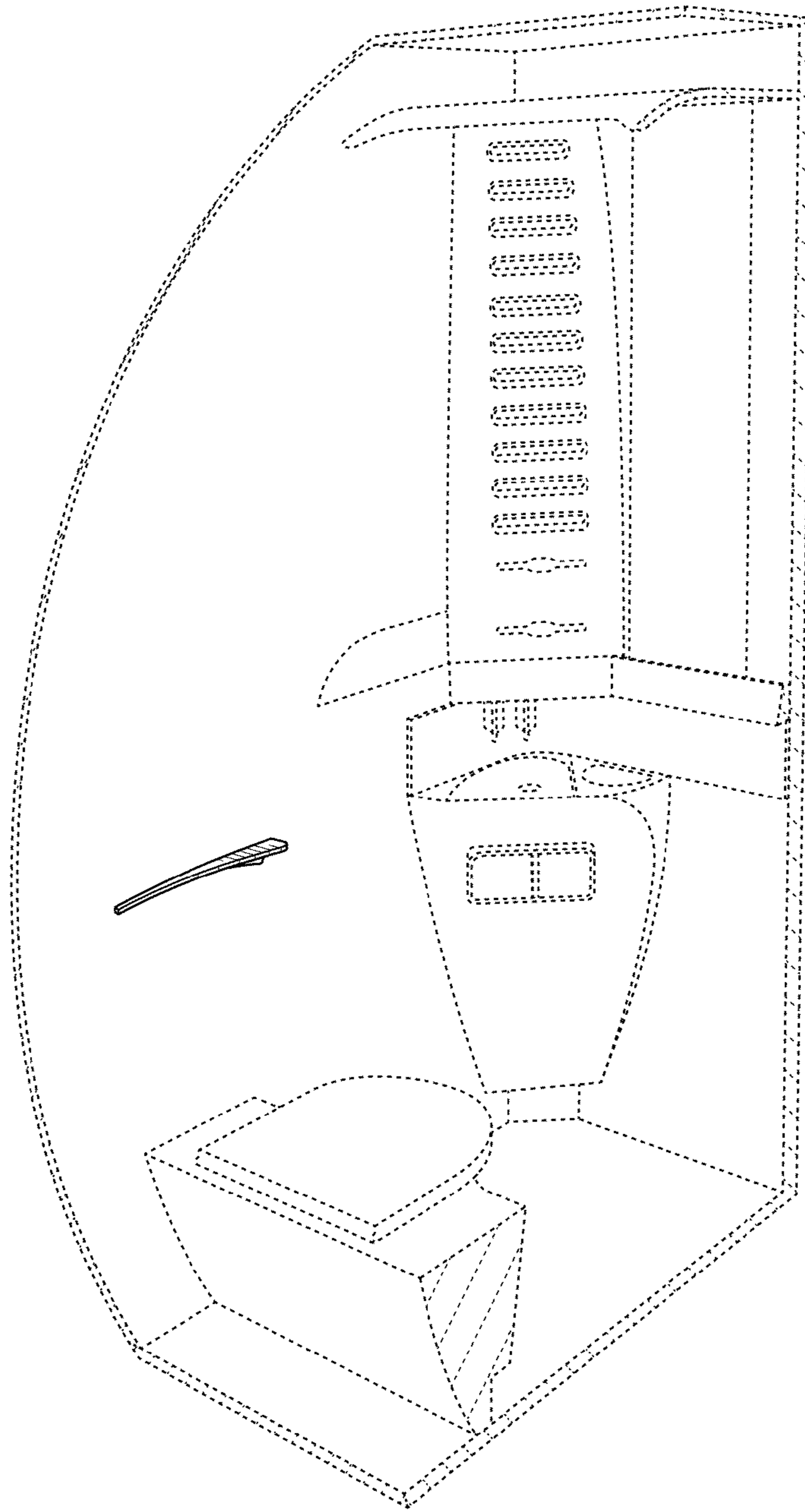


FIG. 8

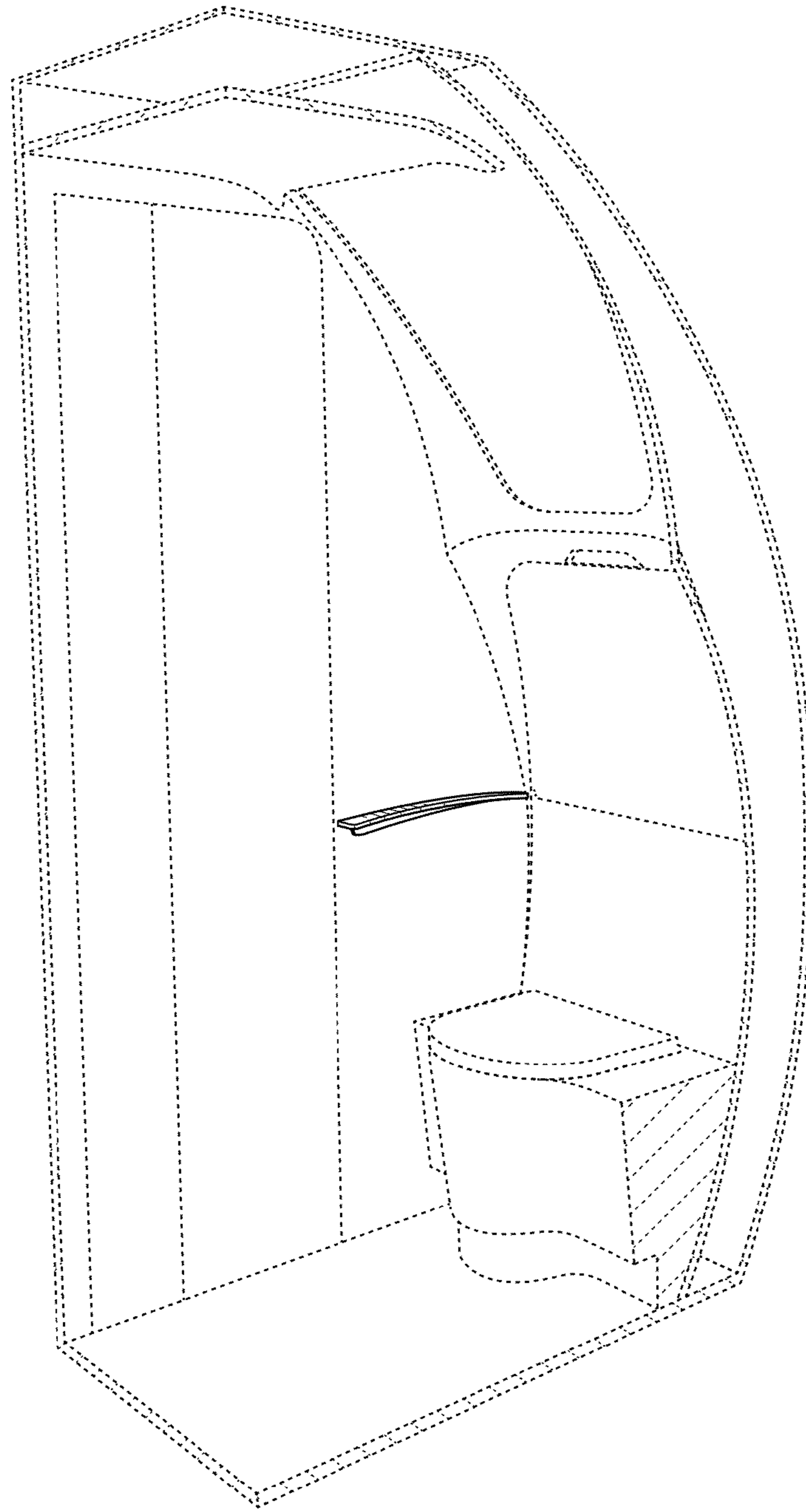


FIG. 9