



US00D705901S

(12) **United States Design Patent**
Johnson

(10) **Patent No.:** **US D705,901 S**

(45) **Date of Patent:** **** *May 27, 2014**

(54) **TUBE FITMENT FOR USE WITH A VALVE
FITMENT FOR DISPENSING FLUIDS**

(75) Inventor: **James W. Johnson**, Delaware, OH (US)

(73) Assignee: **Liqui-Box Corporation**, Worthington,
OH (US)

(*) Notice: This patent is subject to a terminal dis-
claimer.

(**) Term: **14 Years**

(21) Appl. No.: **29/419,597**

(22) Filed: **Apr. 30, 2012**

(51) **LOC (10) Cl.** **23-01**

(52) **U.S. Cl.**
USPC **D23/233**

(58) **Field of Classification Search**
USPC D23/233-237, 244-249; 251/205, 208,
251/215, 309, 310, 312, 62, 63, 63.5,
251/129.01, 129.1, 8, 904; 137/398, 545,
137/547, 549

See application file for complete search history.

(56) **References Cited**

U.S. PATENT DOCUMENTS

D177,198	S	*	3/1956	Terry	D23/248
3,115,154	A	*	12/1963	Dillon	137/493.8
3,145,731	A	*	8/1964	Kaatz et al.	137/510
3,748,837	A	*	7/1973	Billeter	55/418
D234,637	S	*	3/1975	Flynn	D24/110.6
D449,872	S	*	10/2001	Lohde et al.	D23/233
D463,011	S	*	9/2002	Hirose et al.	D23/245
D504,715	S	*	5/2005	Hagihara	D23/235
D623,273	S	*	9/2010	Cavagna	D23/233
D632,362	S	*	2/2011	Ito et al.	D23/233
D634,813	S	*	3/2011	Hernandez, IV	D23/233

D637,270	S	*	5/2011	Nicolia et al.	D23/235
D639,392	S	*	6/2011	Yamada	D23/233
D652,116	S	*	1/2012	Fukushima	D23/235
D658,205	S	*	4/2012	Taylor	D15/5
D661,785	S	*	6/2012	Johnson	D23/262
D667,082	S	*	9/2012	Fukushima	D23/235
D667,930	S	*	9/2012	Yamada	D23/235
D677,363	S	*	3/2013	Norlander et al.	D23/233
D679,780	S	*	4/2013	Oike et al.	D23/247
D690,390	S	*	9/2013	Garm et al.	D23/233
D690,800	S	*	10/2013	Ren	D23/233
2011/0062358	A1	*	3/2011	Kawamura et al.	251/129.01

* cited by examiner

Primary Examiner — Cynthia Ramirez

(74) *Attorney, Agent, or Firm* — Potter Anderson Corroon
LLP; Rakesh H. Mehta, Esq.

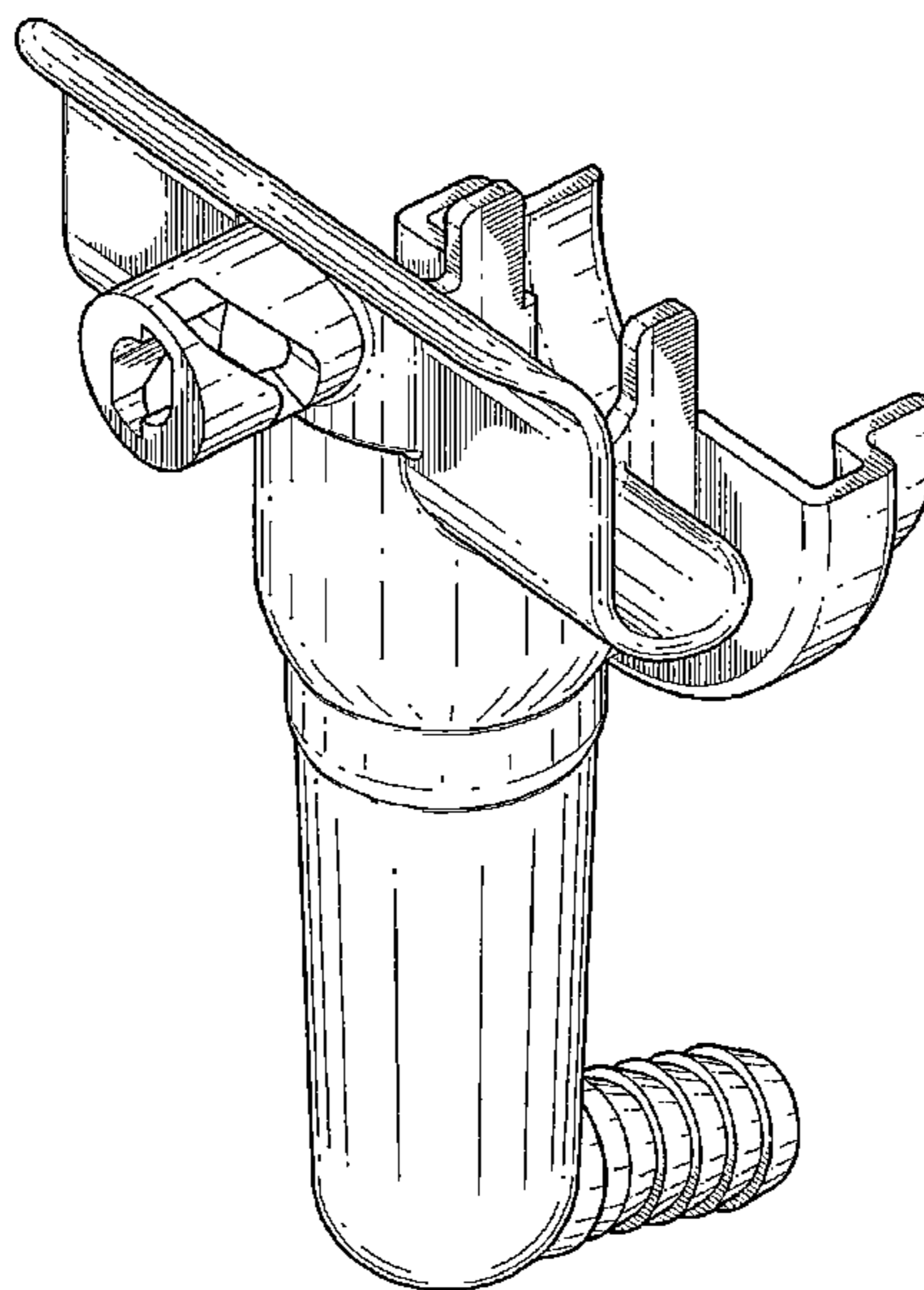
(57) **CLAIM**

The ornamental design for a tube fitment for use with a valve
fitment for dispensing fluids, as shown and described.

DESCRIPTION

FIG. 1 illustrates a perspective view of the tube fitment show-
ing our new design;
FIG. 2 illustrates a view of the tube fitment from the front
thereof;
FIG. 3 illustrates a view of the tube fitment from the left side
thereof;
FIG. 4 illustrates a view of the tube fitment from the back
thereof;
FIG. 5 illustrates a right side view of the tube fitment thereof;
FIG. 6 illustrates a top view of the tube fitment thereof;
FIG. 7 illustrates a bottom view of the tube fitment thereof;
and,
FIG. 8 illustrates a perspective view of the tube fitment in the
back view thereof.

1 Claim, 8 Drawing Sheets



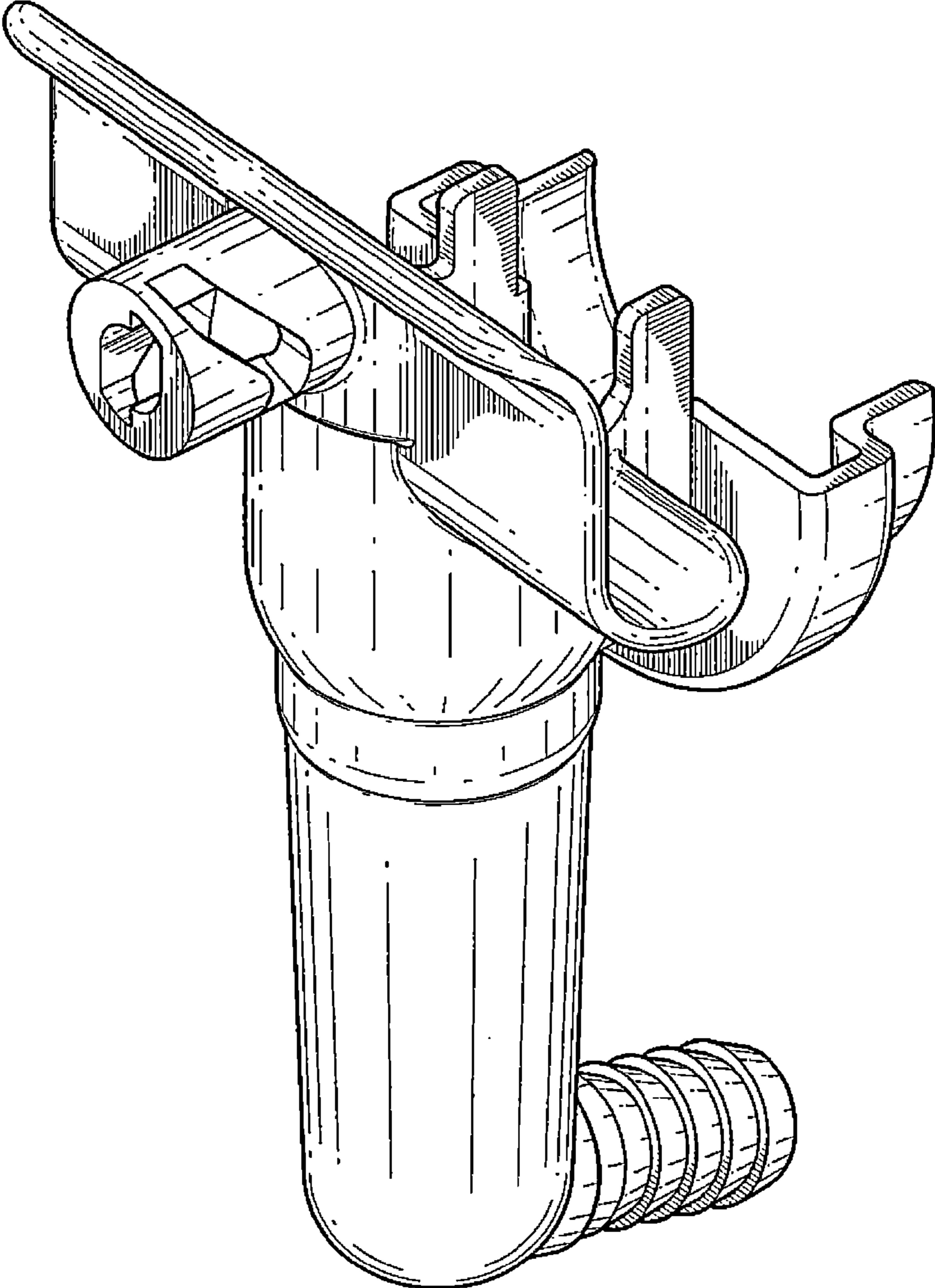


FIG. 1

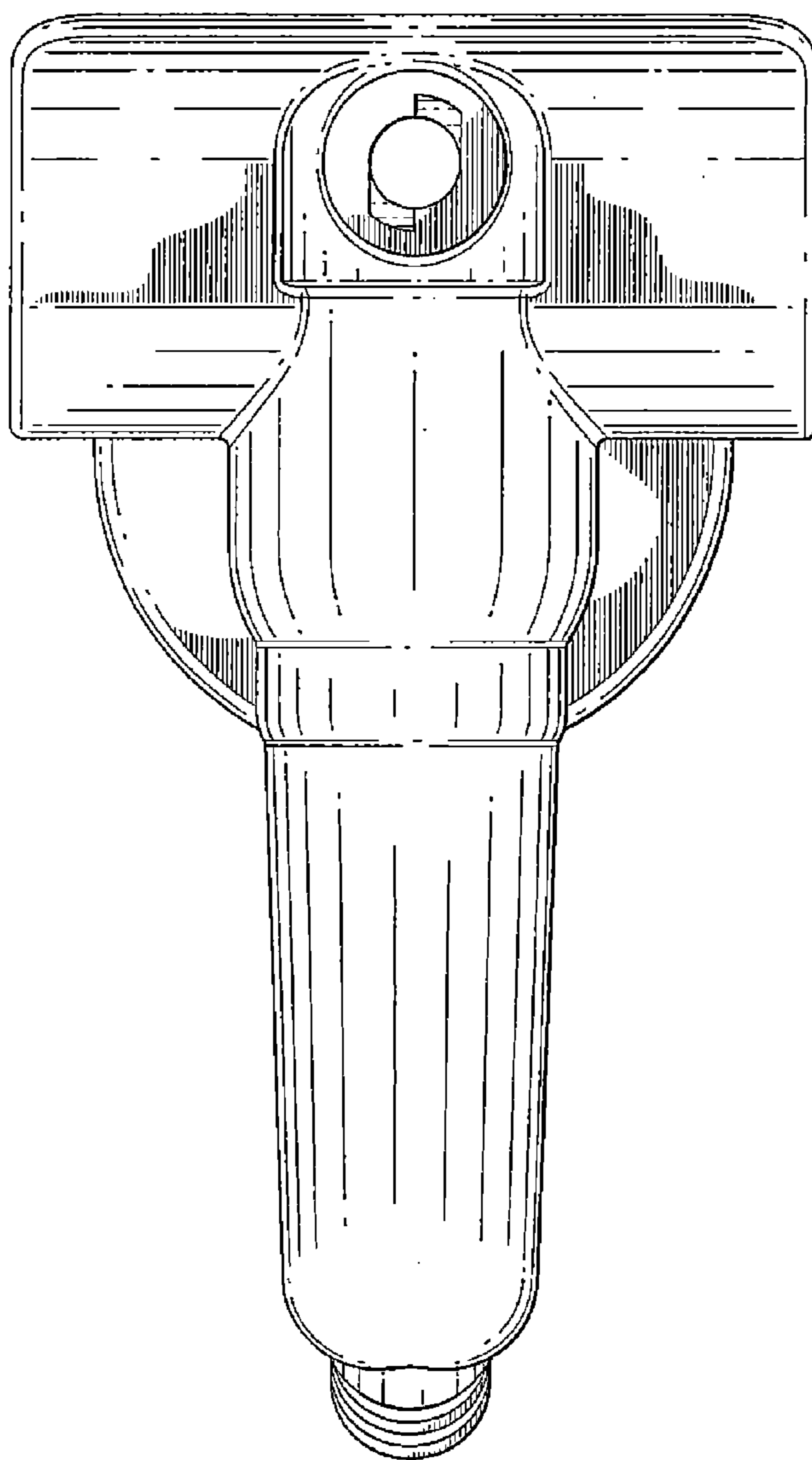


FIG. 2

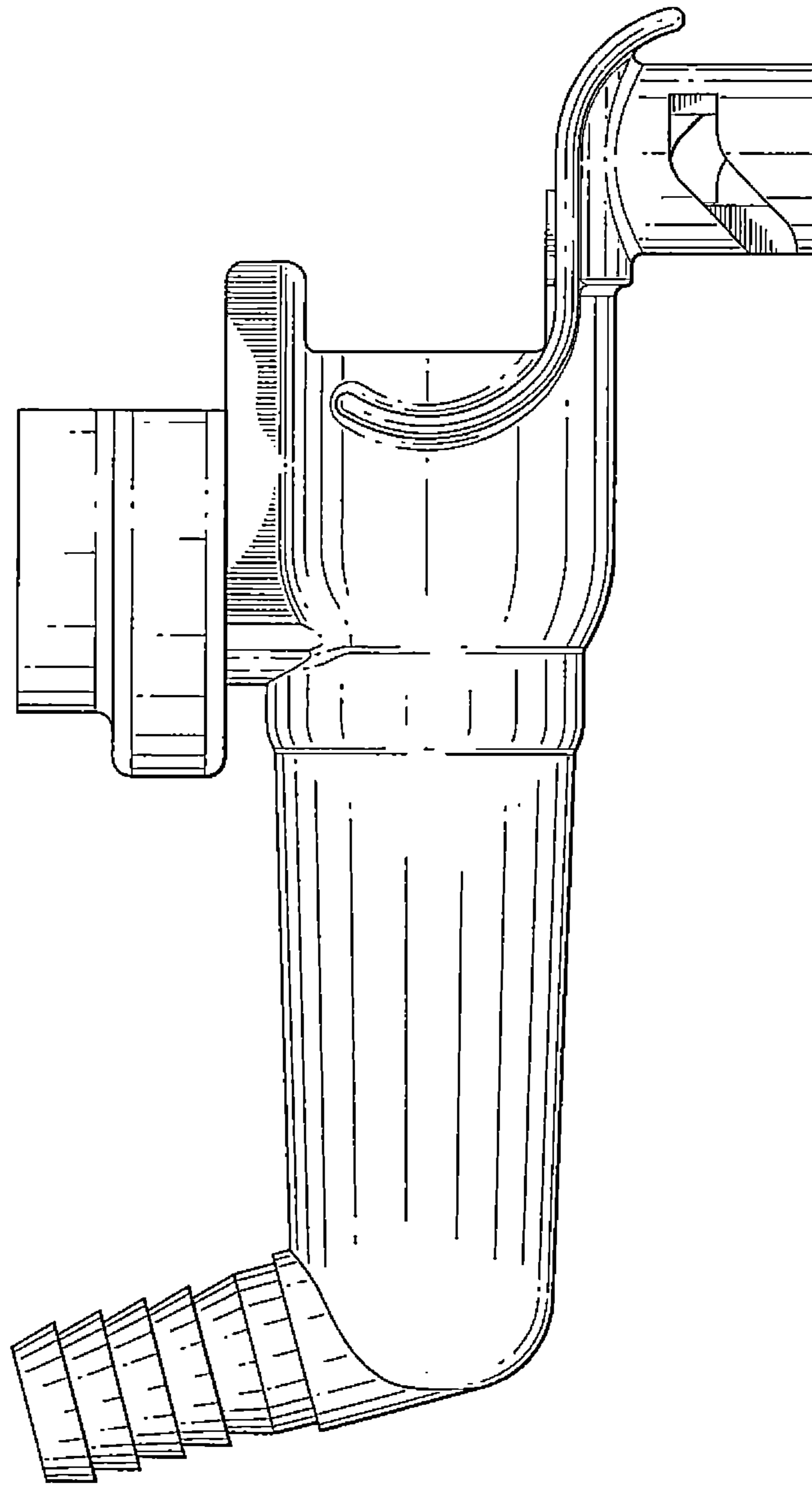


FIG. 3

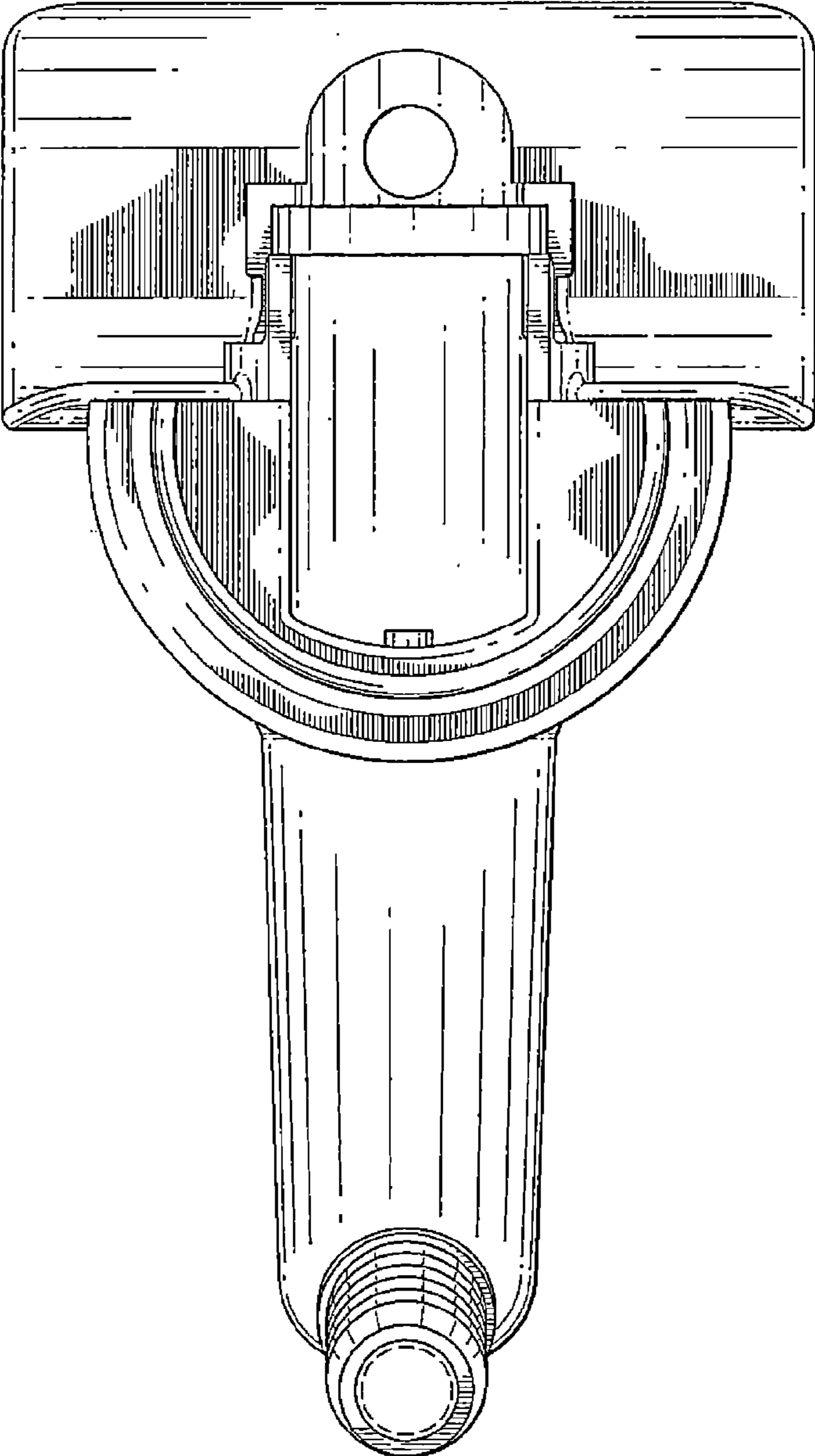


FIG. 4

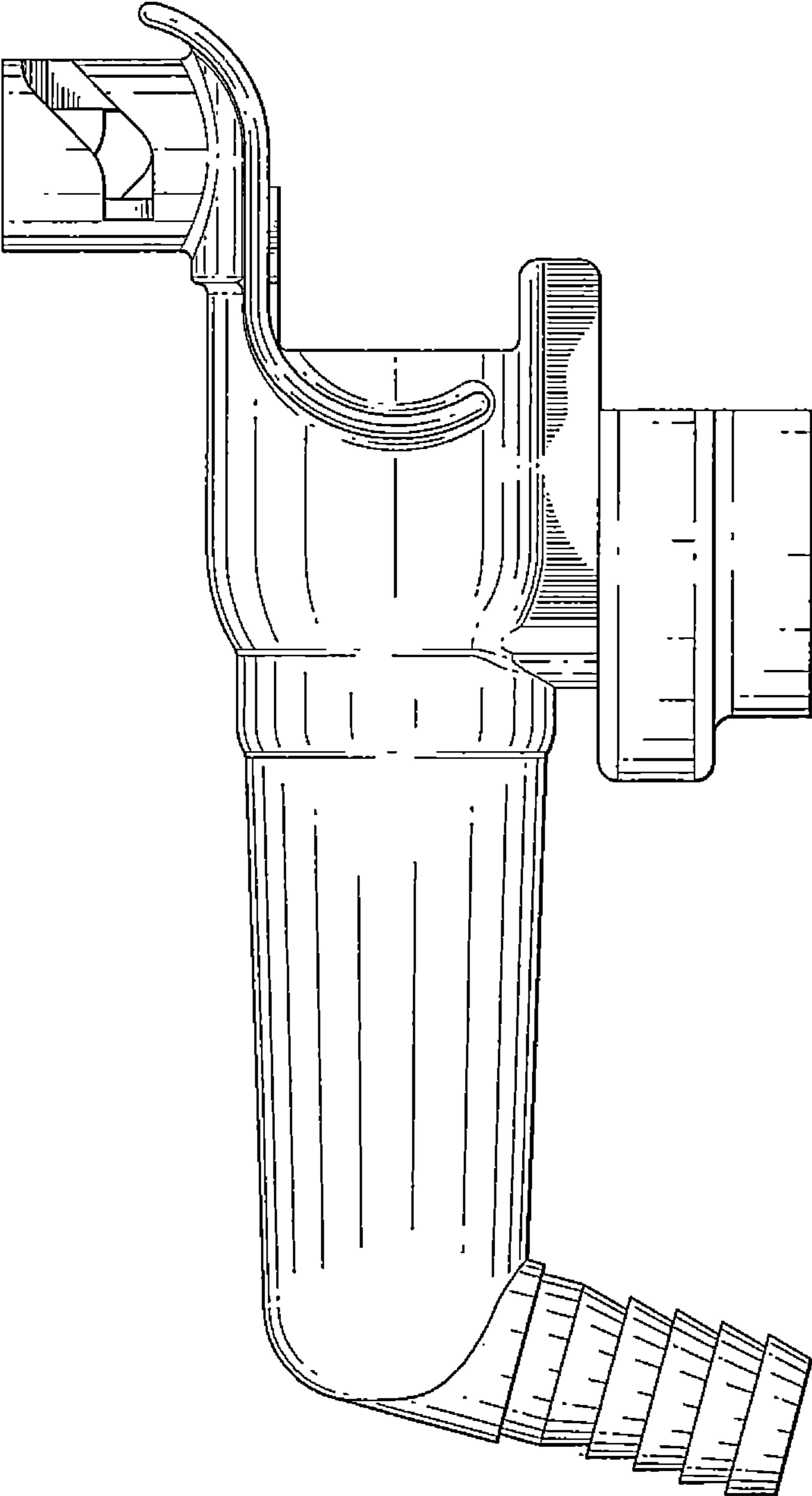


FIG. 5

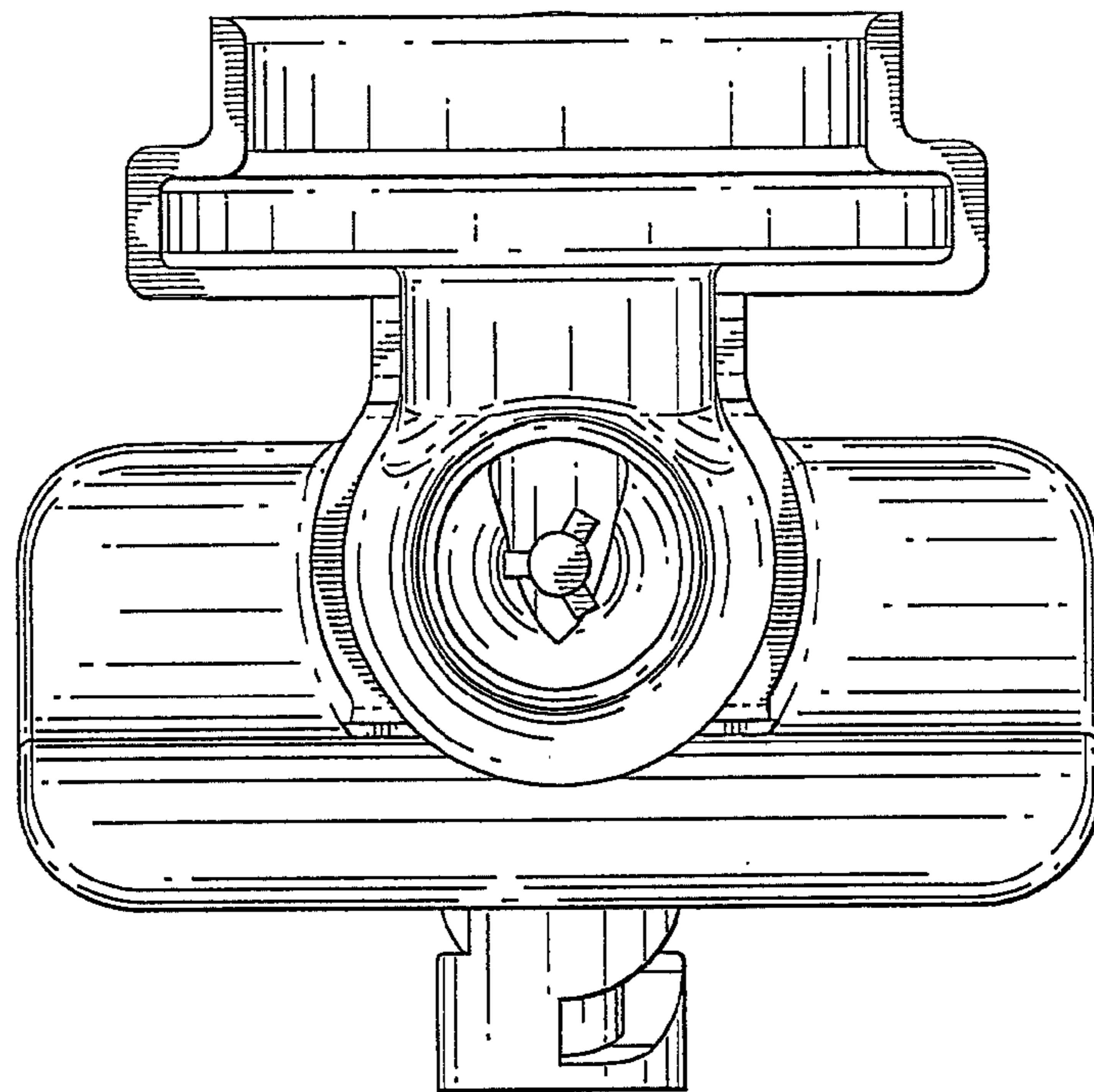


FIG. 6

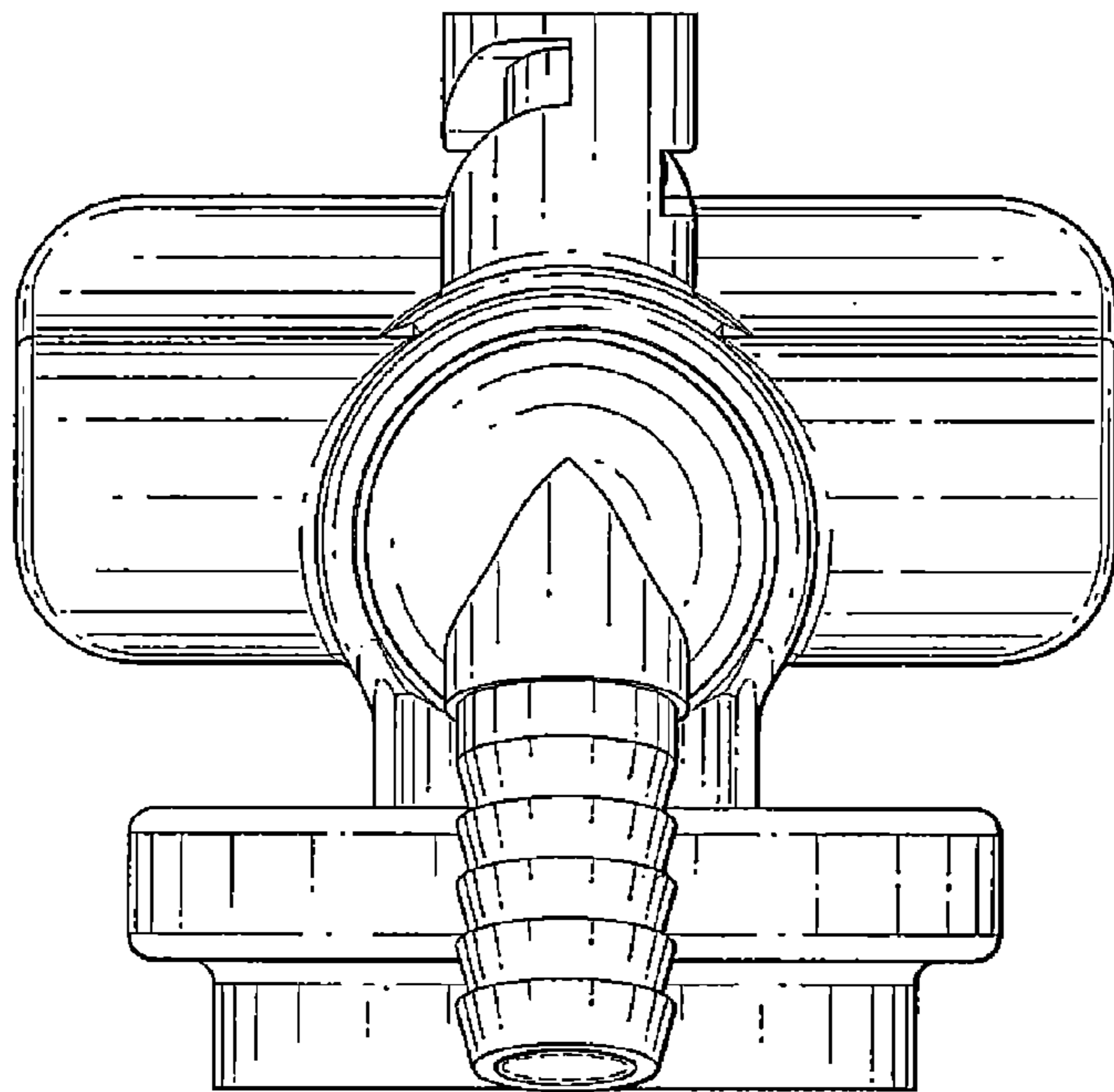


FIG. 7

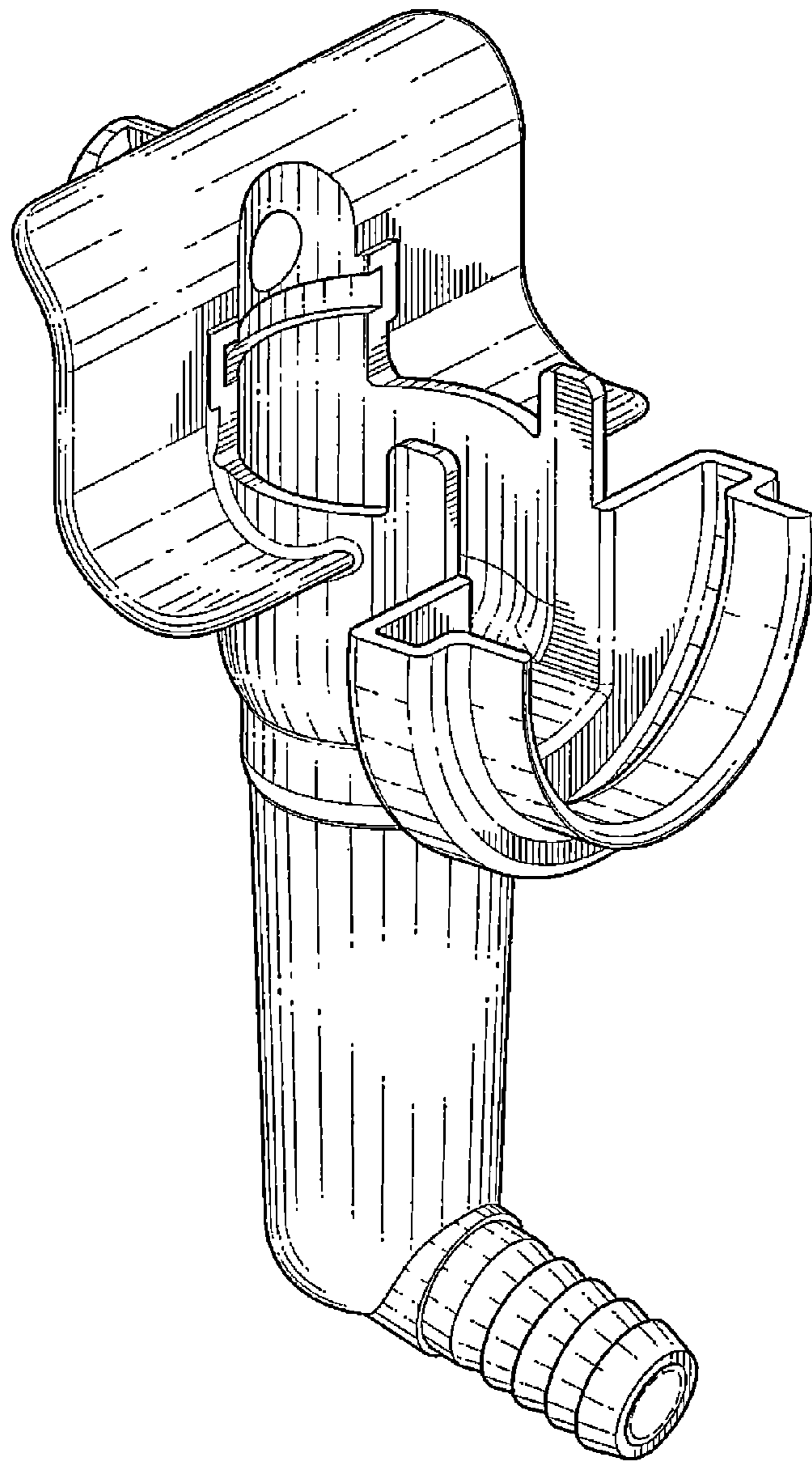


FIG. 8