



US00D705900S

(12) **United States Design Patent**
Bailey

(10) **Patent No.:** **US D705,900 S**

(45) **Date of Patent:** **** May 27, 2014**

(54) **SHOWER BAR**

(71) Applicant: **Waxman Consumer Products Group, Inc.**, Bedford Heights, OH (US)

(72) Inventor: **Mitchell Bailey**, Westlake, OH (US)

(73) Assignee: **Waxman Consumer Products Group Inc.**, Bedford Heights, OH (US)

(**) Term: **14 Years**

(21) Appl. No.: **29/455,203**

(22) Filed: **May 17, 2013**

(51) **LOC (10) Cl.** **23-01**

(52) **U.S. Cl.**
USPC **D23/228**

(58) **Field of Classification Search**
CPC B05B 15/06
USPC D23/213, 223, 228, 203, 304; 4/567,
4/601, 605, 615, 612, 661; 239/444, 282,
239/283

See application file for complete search history.

(56) **References Cited**

U.S. PATENT DOCUMENTS

4,901,927	A	2/1990	Valdivia	
D559,949	S *	1/2008	Bickler et al.	D23/228
D621,002	S *	8/2010	Yongyan	D23/228
7,857,241	B2 *	12/2010	Deng	239/444
D639,391	S *	6/2011	Yongyan	D23/228
D665,873	S *	8/2012	Wilson	D23/228

8,429,769	B2 *	4/2013	Gross	4/601
2007/0158460	A1	7/2007	Lev	
2009/0266913	A1	10/2009	Tsai	
2010/0024909	A1	2/2010	Lu et al.	

OTHER PUBLICATIONS

Catalog Entitled "Ateck® 2001-2011", published by Ateck (Xiamen) Showers Co., Ltd., No. 2 Factory, Dianqianshe, Gaodian, Dianqian St., Huli, Xiamen, Fujian, China. (28 pages).

* cited by examiner

Primary Examiner — Robin V Webster

(74) *Attorney, Agent, or Firm* — Tarolli, Sundheim, Covell & Tummino, LLP

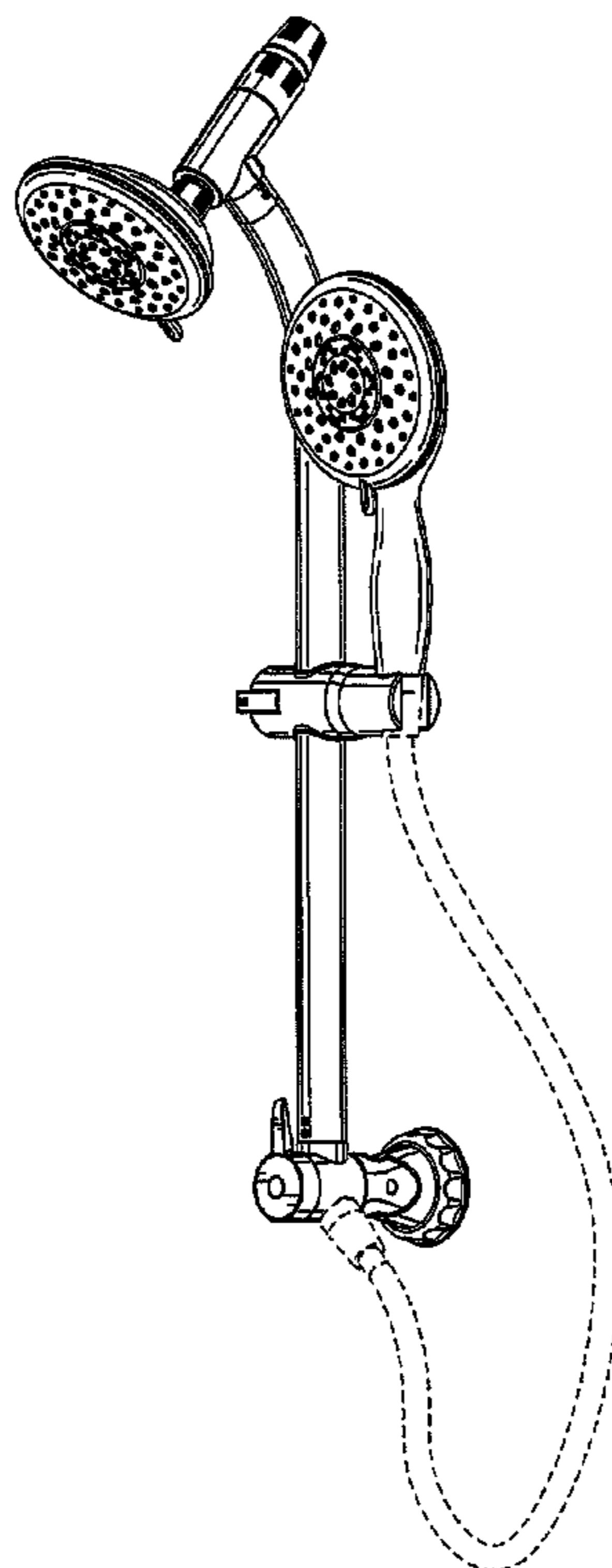
(57) **CLAIM**

The ornamental design for a shower bar, as shown and described.

DESCRIPTION

FIG. 1 is a right front perspective view of a shower bar; FIG. 2 is a left front perspective view thereof; FIG. 3 is a left rear perspective view thereof; FIG. 4 is a right rear perspective view thereof; FIG. 5 is a front elevation view thereof; FIG. 6 is a rear elevation view thereof; FIG. 7 is a left side elevation view thereof; FIG. 8 is a right side elevation view thereof; FIG. 9 is a top plan view thereof, and, FIG. 10 is a bottom plan view thereof. The dotted and dashed broken lines shown are for environmental purposes only and form no part of the claimed design.

1 Claim, 9 Drawing Sheets



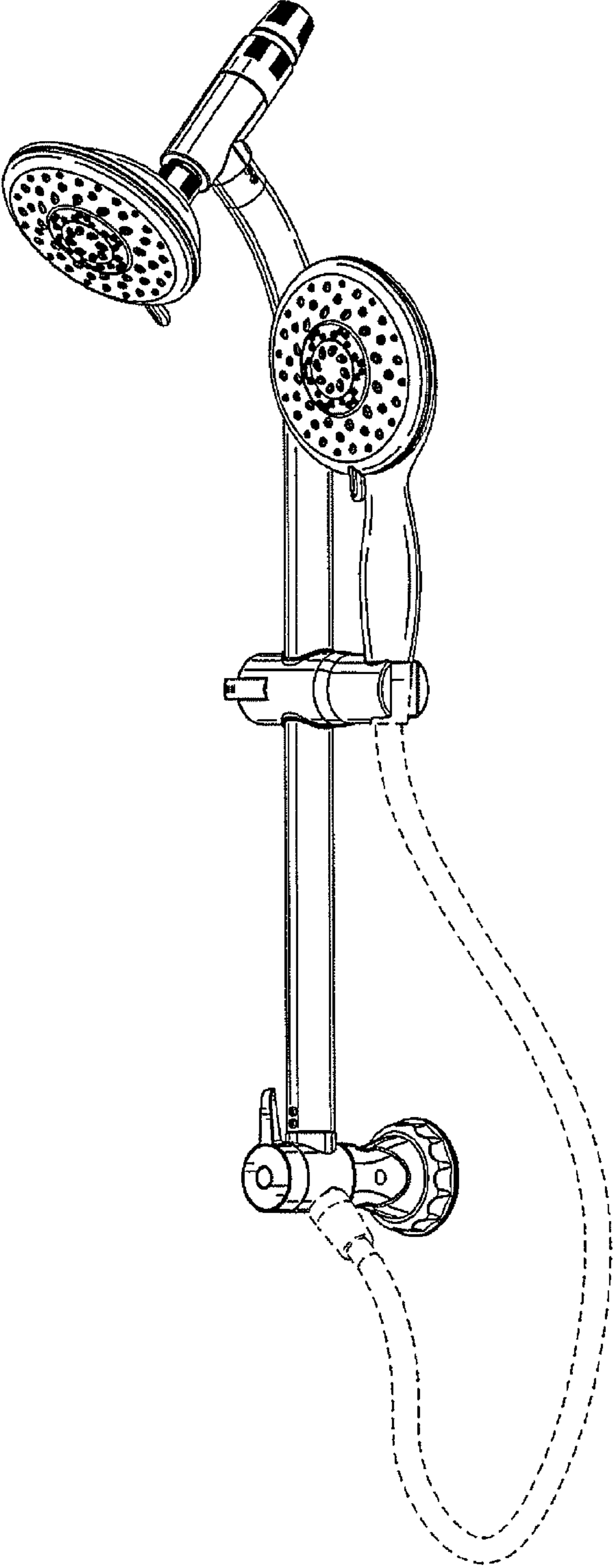


FIG. 1

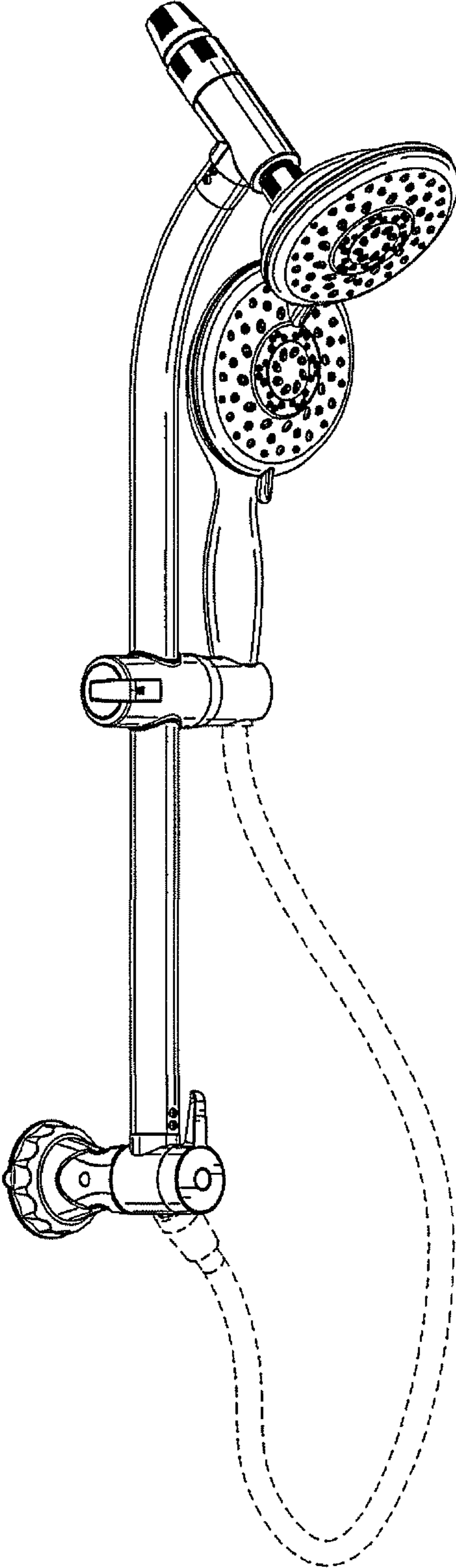


FIG. 2

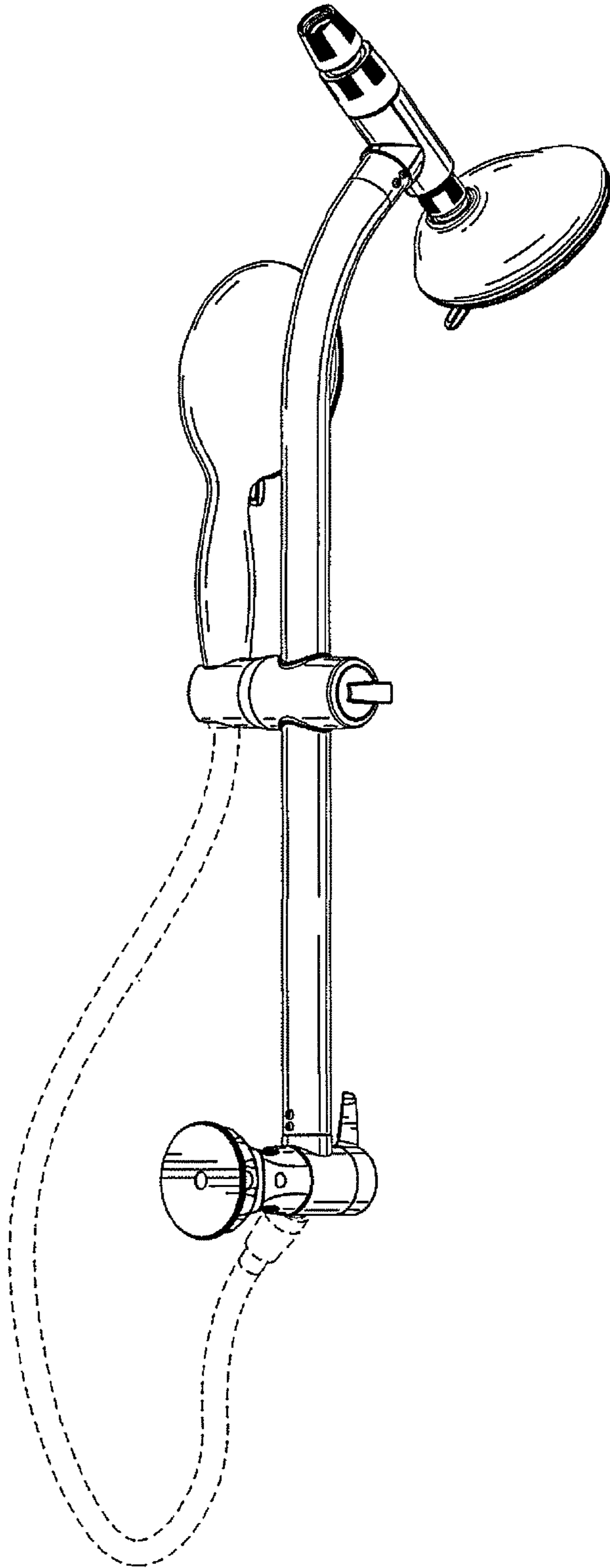


FIG. 3

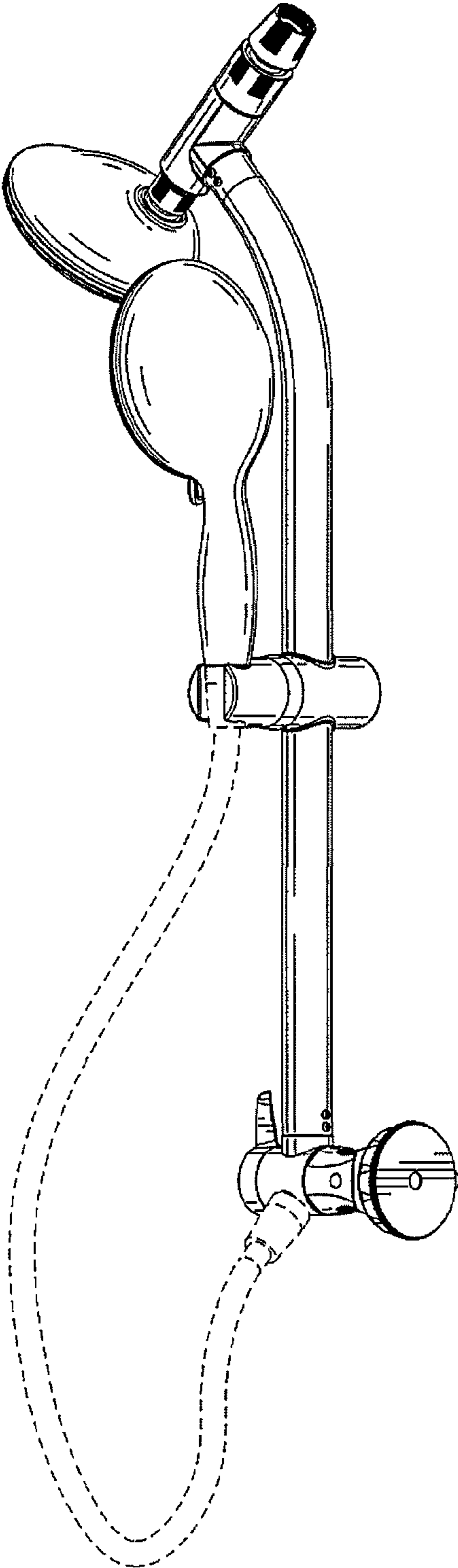


FIG. 4

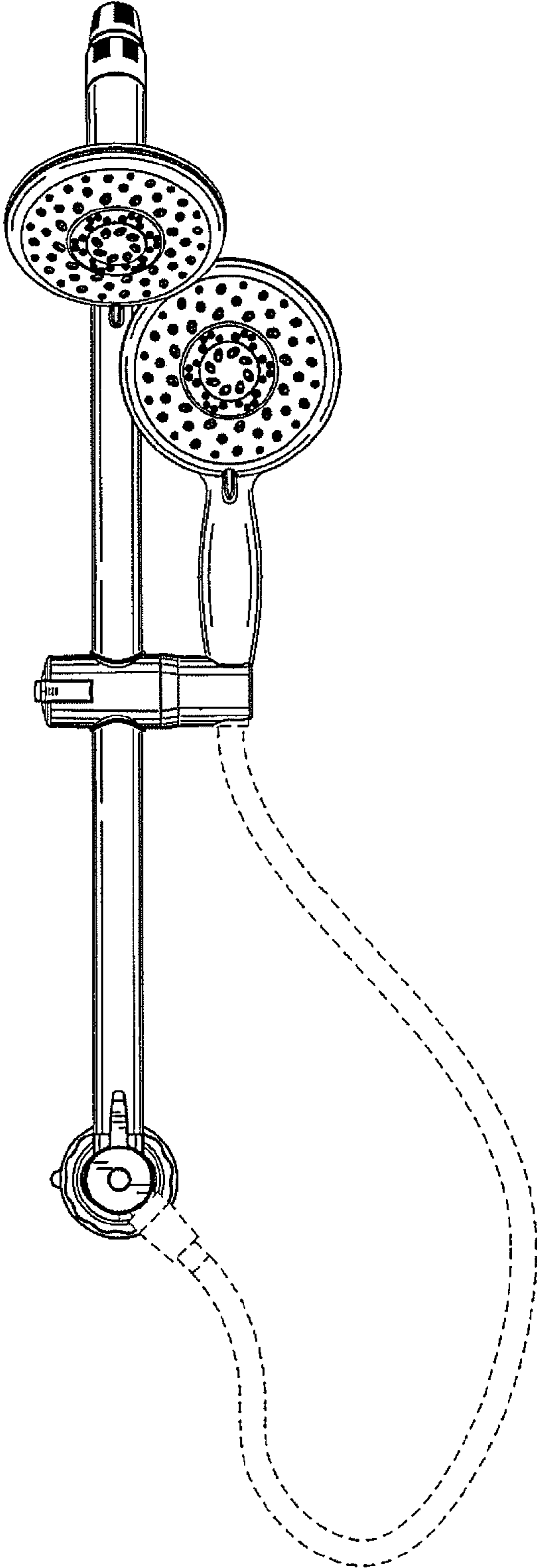


FIG. 5

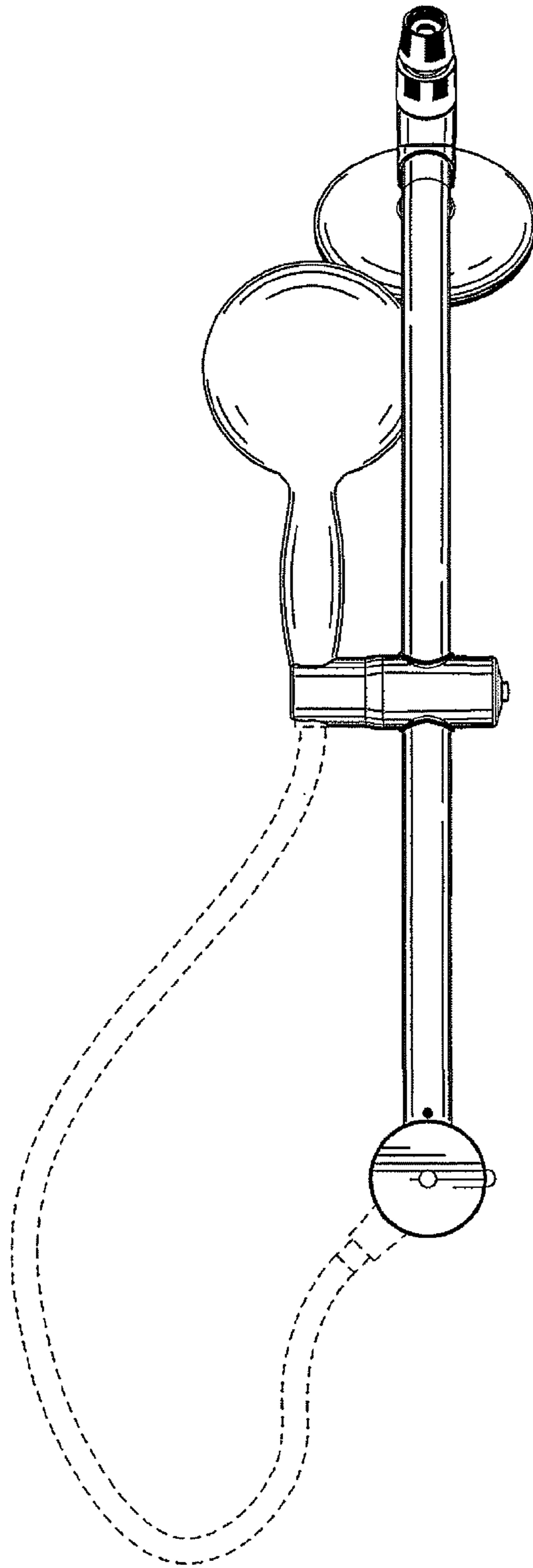


FIG. 6

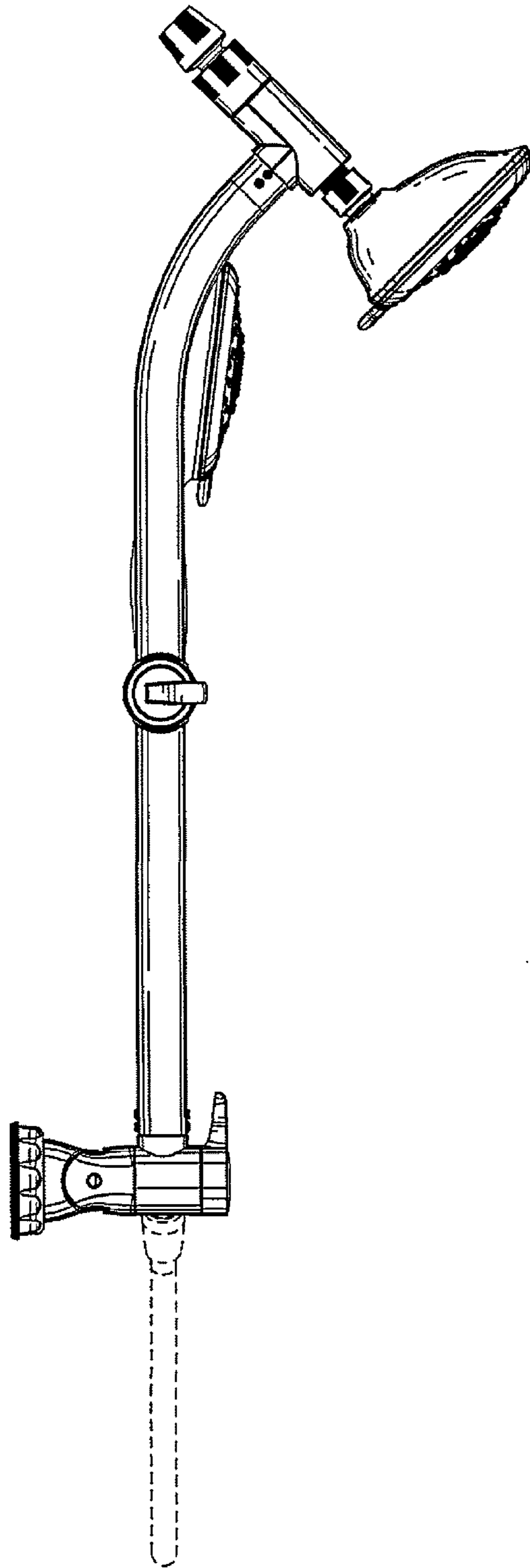


FIG. 7

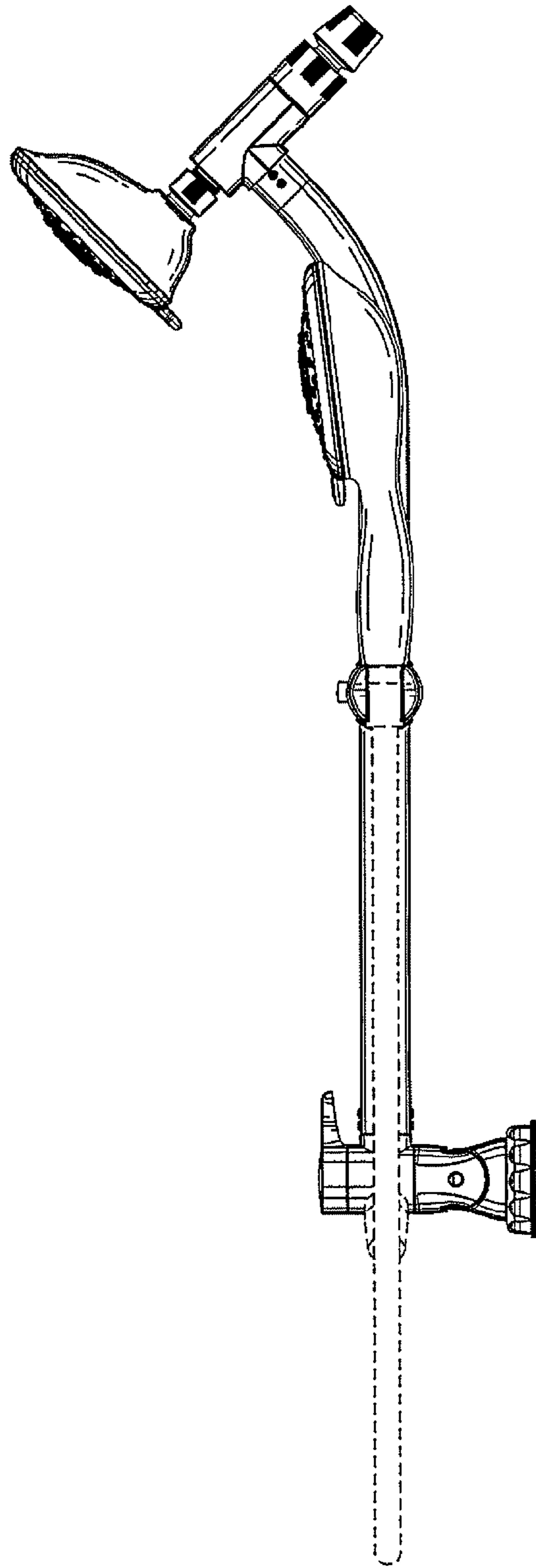


FIG. 8

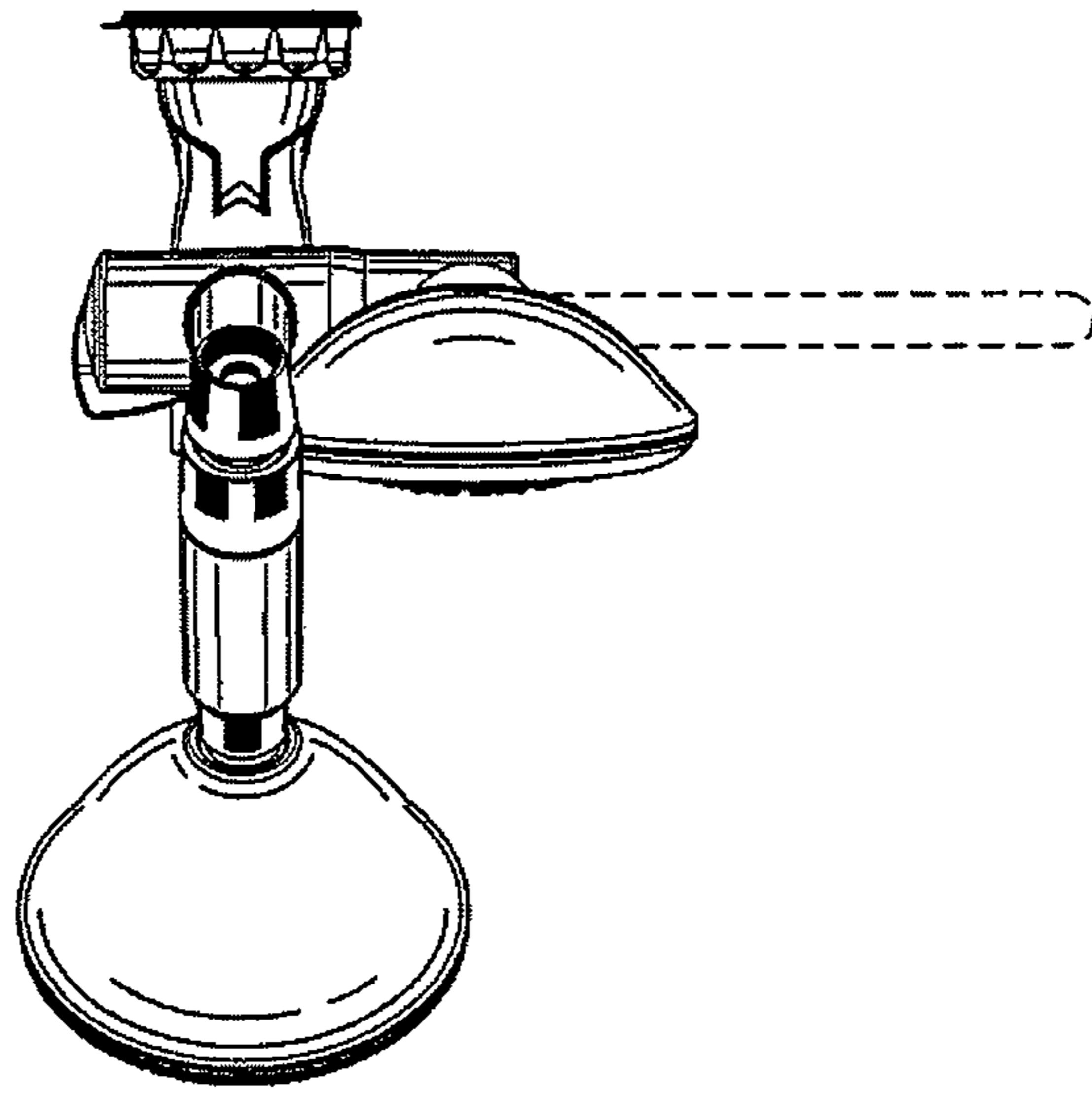


FIG. 9

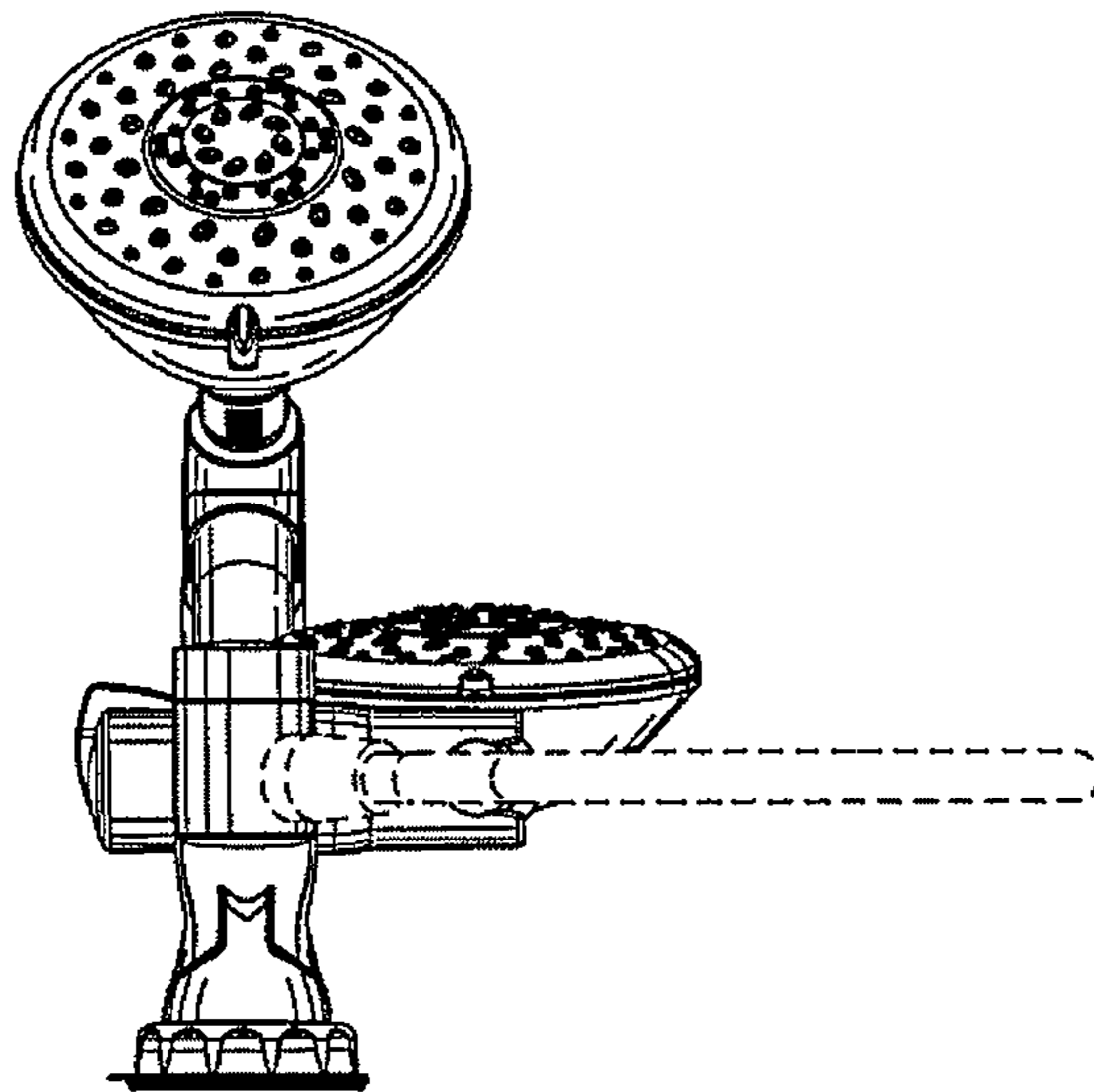


FIG. 10