



US00D705899S

(12) **United States Design Patent**
Abernethy et al.

(10) **Patent No.:** **US D705,899 S**

(45) **Date of Patent:** **** May 27, 2014**

(54) **SHROUD FOR A MANUALLY OPERATED
SPRAY TANK**

(71) Applicant: **The Fountainhead Group, Inc.**, New York Mills, NY (US)

(72) Inventors: **Todd B. Abernethy**, Skaneateles, NY (US); **Mario J. Restive**, Frankfort, NY (US); **George A. Mitchell**, Utica, NY (US); **Donwoong Kang**, Camillus, NY (US); **David J. Hine**, Skaneateles, NY (US)

(73) Assignee: **The Fountainhead Group, Inc.**, New York Mills, NY (US)

(**) Term: **14 Years**

(21) Appl. No.: **29/461,432**

(22) Filed: **Jul. 23, 2013**

(51) **LOC (10) Cl.** **23-01**

(52) **U.S. Cl.**
USPC **D23/225**

(58) **Field of Classification Search**
USPC D23/213, 225; 239/152-154, 302, 337, 239/310; 222/465.1, 383.1, 137, 626

See application file for complete search history.

(56) **References Cited**

U.S. PATENT DOCUMENTS

D231,783	S	*	6/1974	Morehouse et al.	D23/225
D428,470	S	*	7/2000	Bower et al.	D23/225
D474,256	S	*	5/2003	Hubmann et al.	D23/213
D542,373	S	*	5/2007	Cooper	D23/225
D639,389	S	*	6/2011	Plantz et al.	D23/225
D649,624	S	*	11/2011	Hudson et al.	D23/225
D664,236	S	*	7/2012	Hudson et al.	D23/225

* cited by examiner

Primary Examiner — Robin V Webster

(74) *Attorney, Agent, or Firm* — George R. McGuire; Bond Schoeneck & King, PLLC

(57) **CLAIM**

The ornamental design for a shroud for a manually operated spray tank, as shown and described.

DESCRIPTION

FIG. 1 is a perspective view of a new and ornamental design for a shroud for a manually operated spray tank, the spray tank and hose being shown in phantom lines for environmental purposes only;

FIG. 2 is a front elevation view thereof;

FIG. 3 is a rear elevation view thereof;

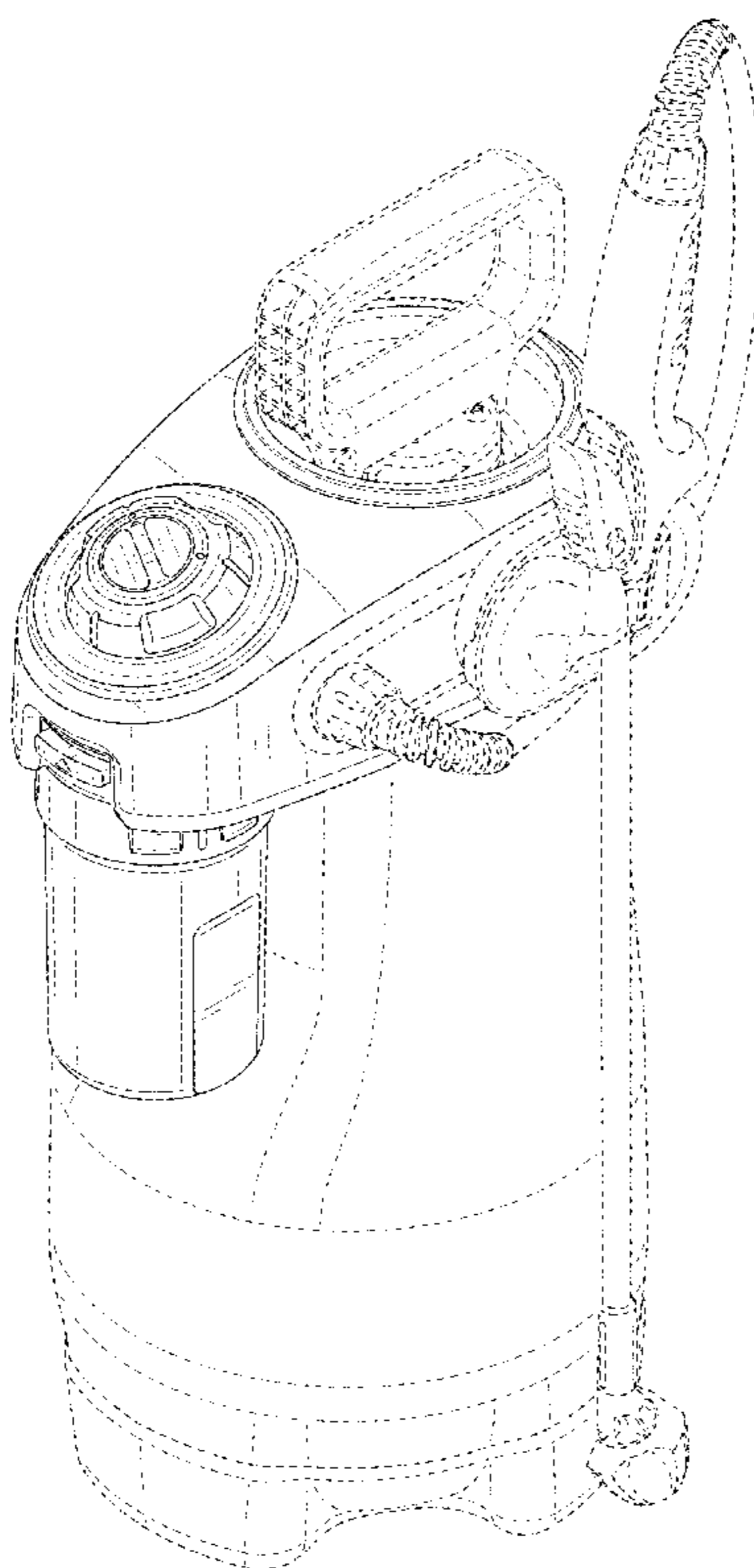
FIG. 4 is a first side elevation view thereof;

FIG. 5 is a second side elevation view thereof;

FIG. 6 is a top plan view thereof; and,

FIG. 7 is a bottom plan view thereof.

1 Claim, 6 Drawing Sheets



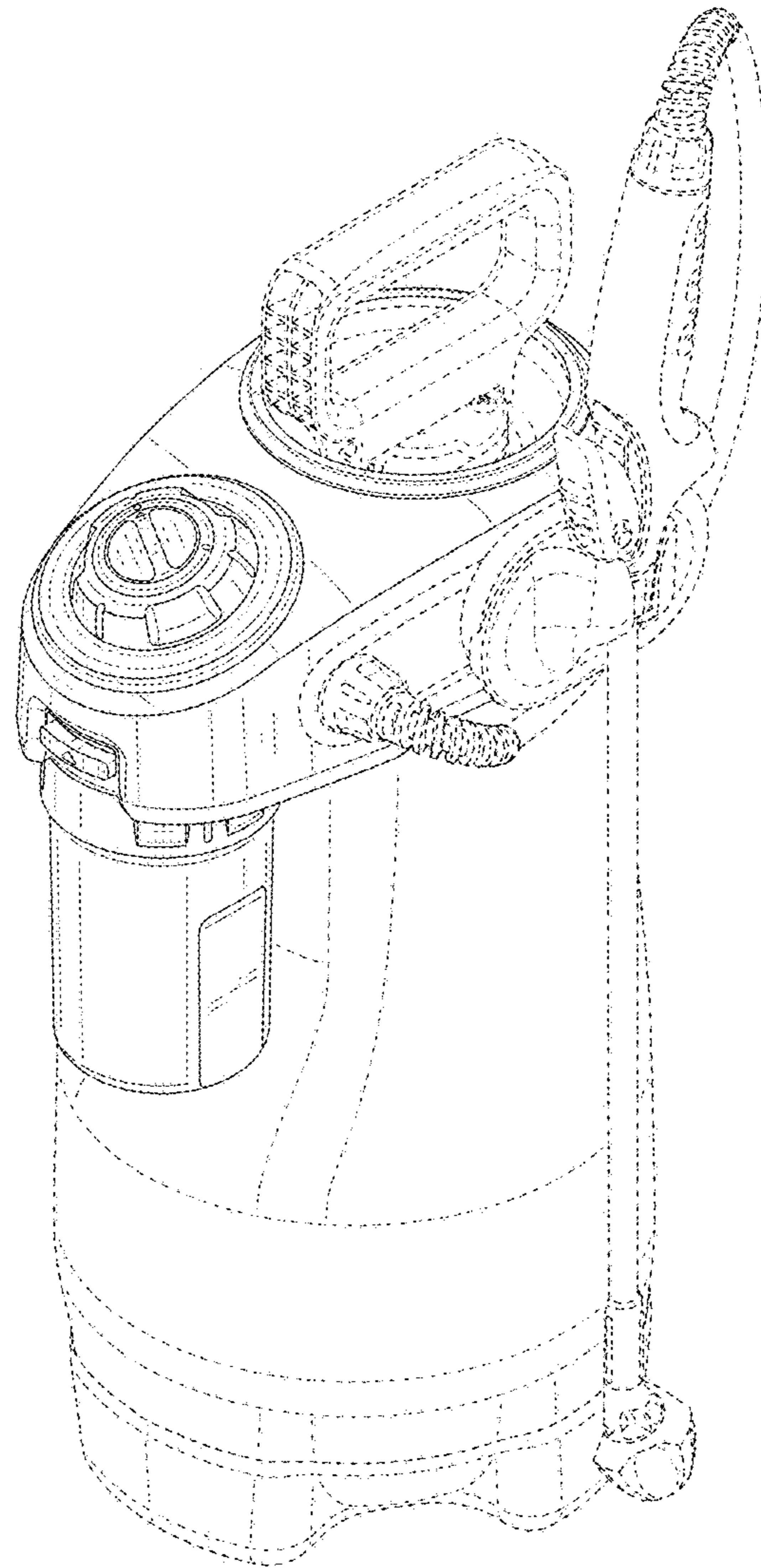


FIG. 1

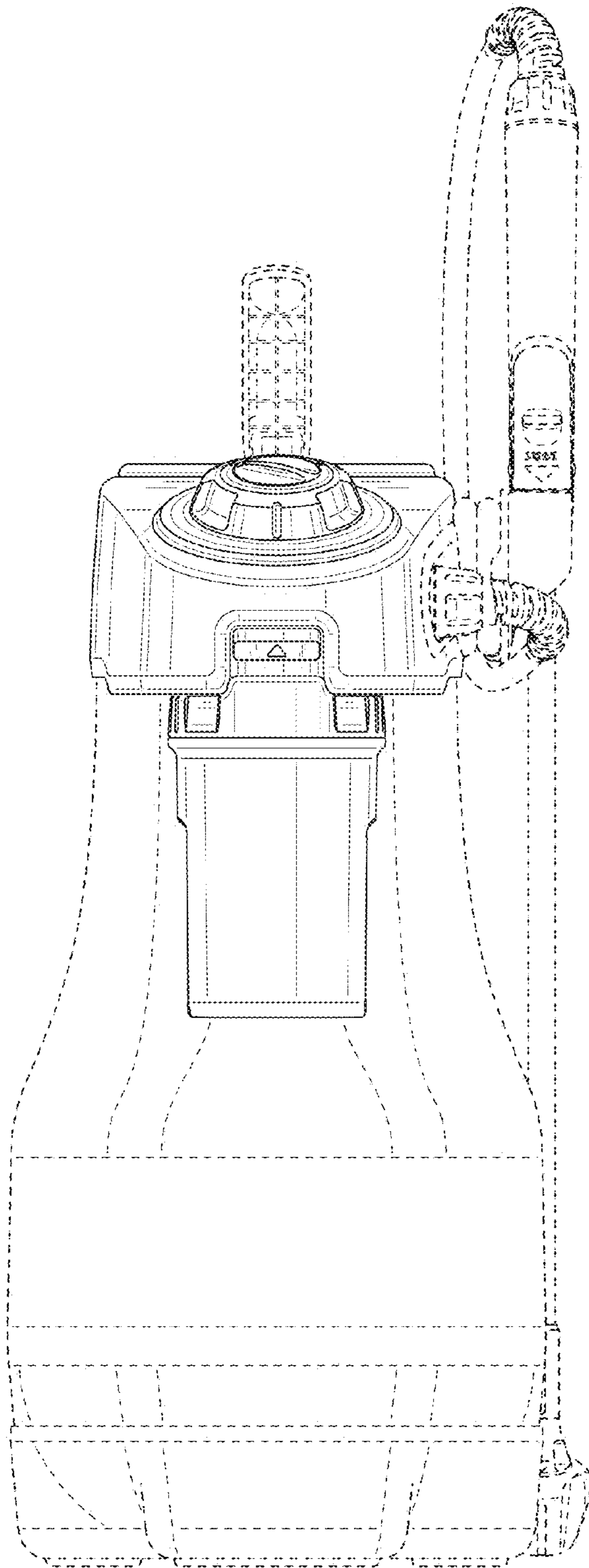


FIG. 2

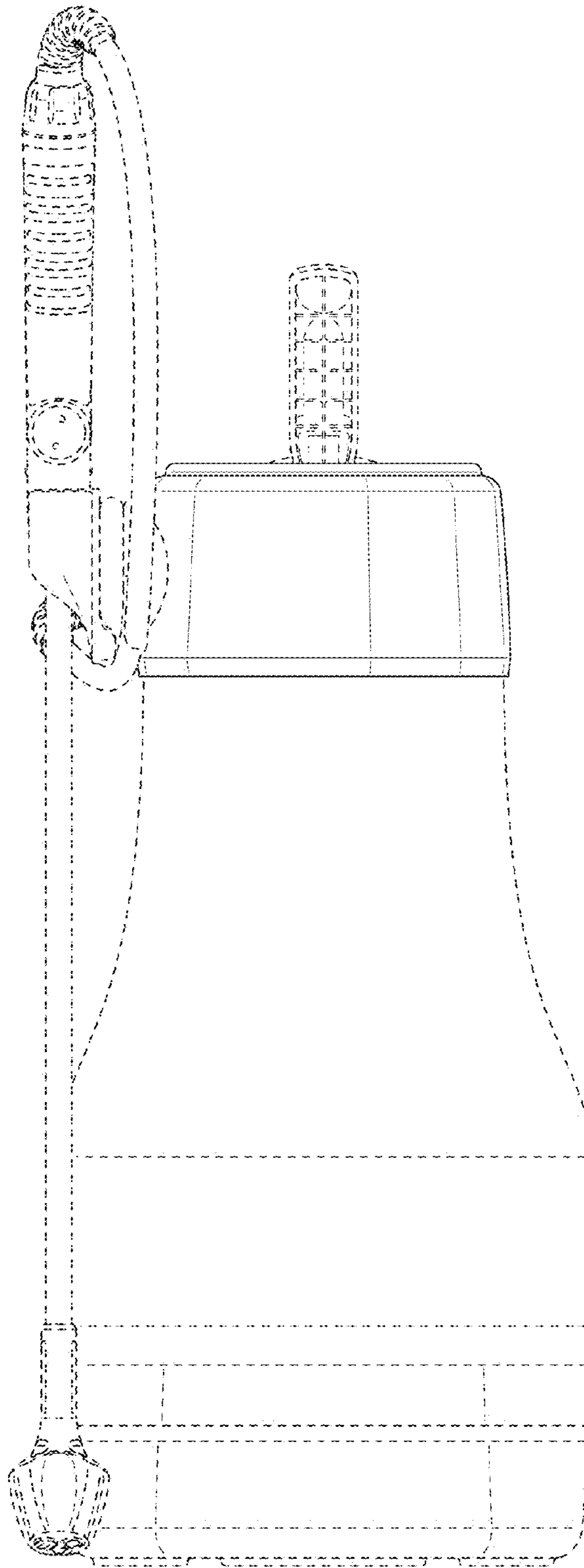


FIG. 3

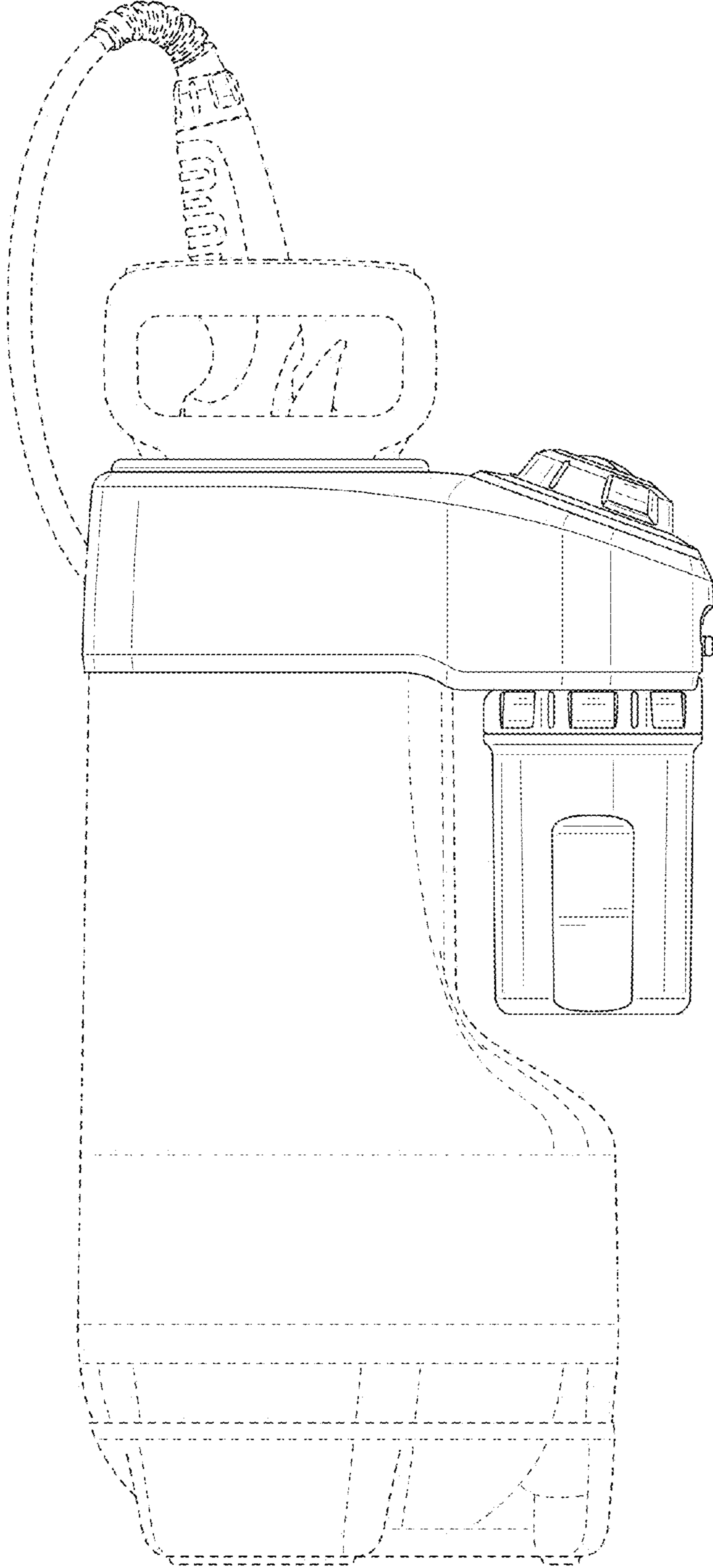


FIG. 4

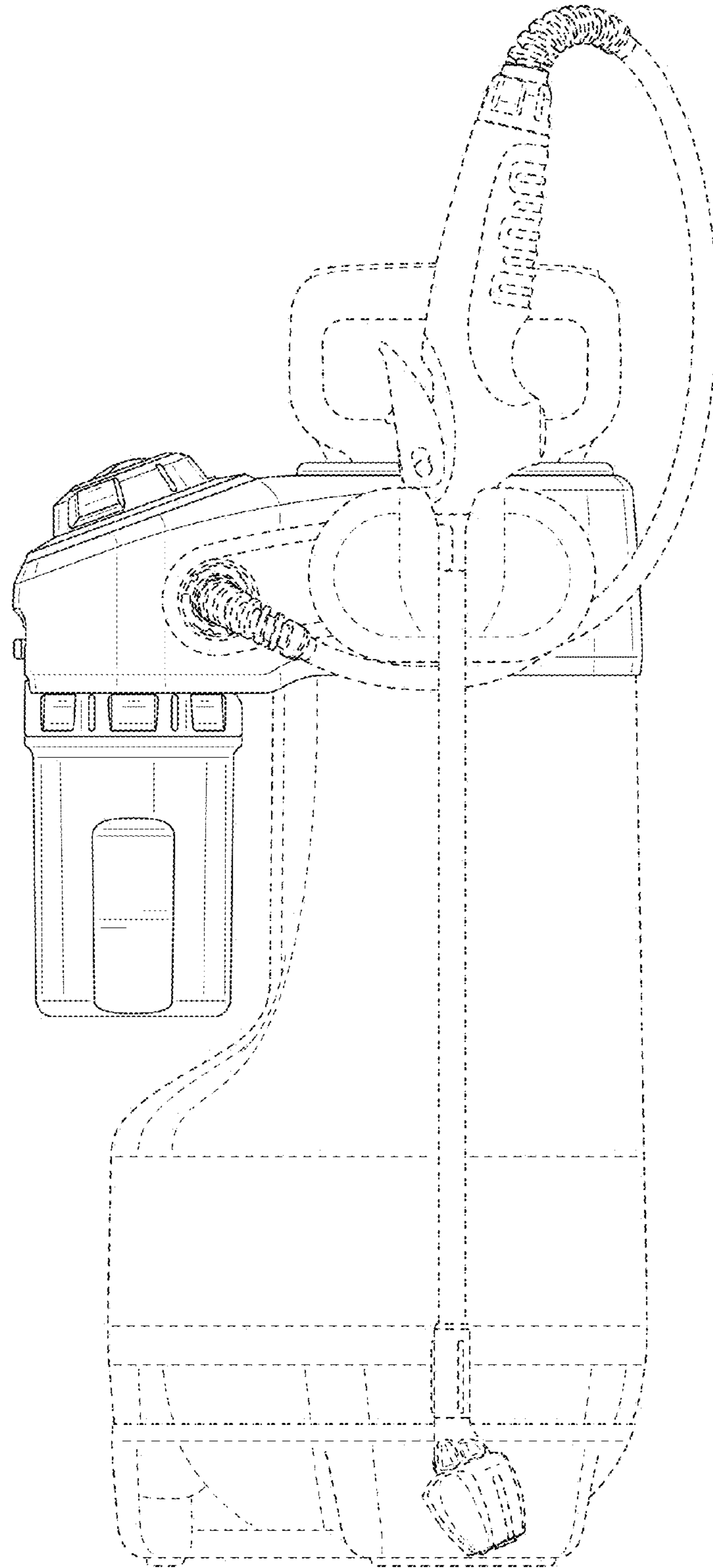


FIG. 5

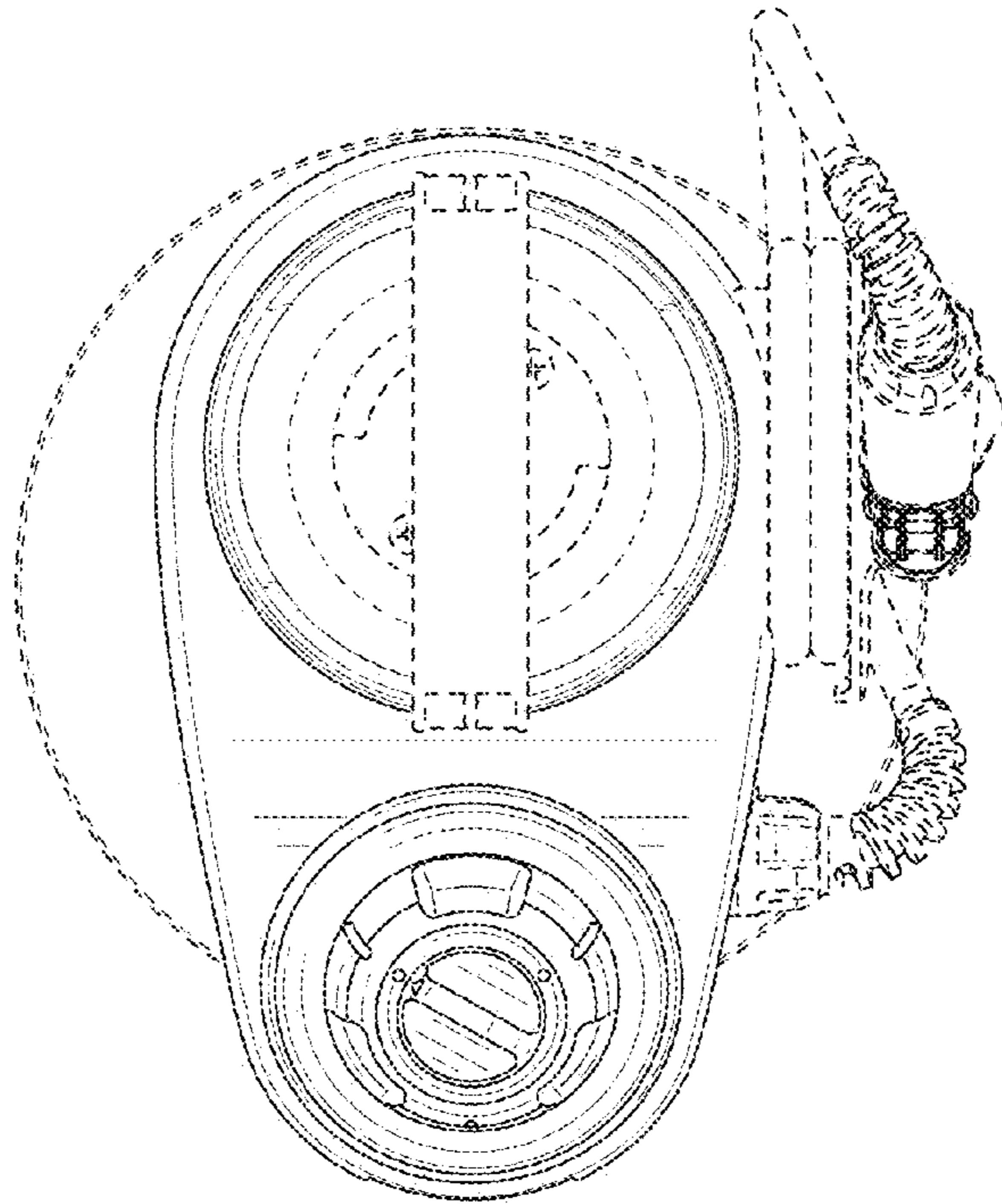


FIG. 6

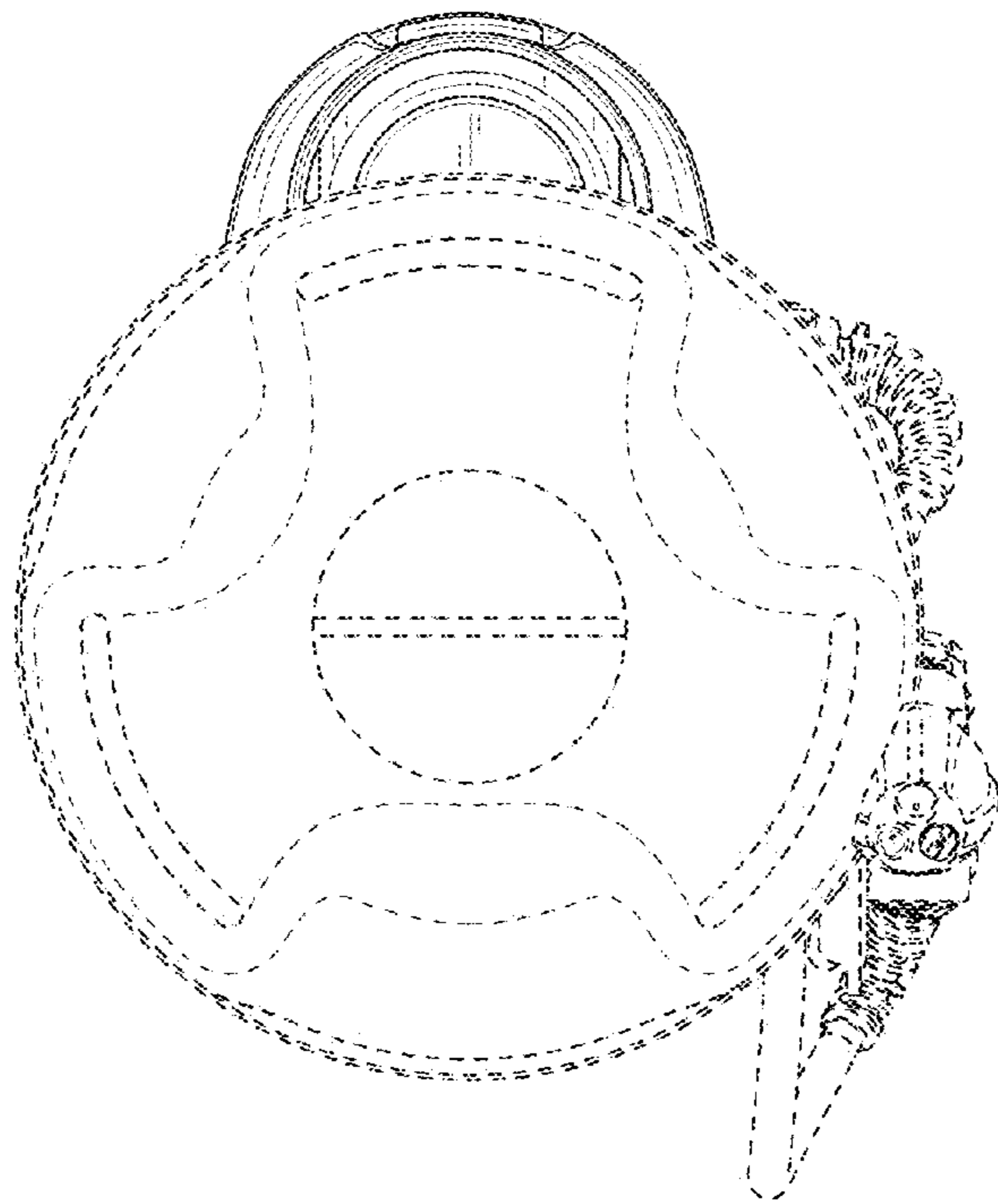


FIG. 7