



US00D705898S

(12) **United States Design Patent**
Chen

(10) **Patent No.:** **US D705,898 S**

(45) **Date of Patent:** **** May 27, 2014**

(54) **GARDEN SPRAYER**

D554,231 S * 10/2007 Chih D23/213
D584,381 S * 1/2009 Hung D23/223
D691,239 S * 10/2013 Huang D23/223

(71) Applicant: **Shin Tai Spurt Water of the Garden Tools Co., Ltd.**, Chang-Hua Hsien (TW)

* cited by examiner

(72) Inventor: **Chin-Yuan Chen**, Chang-Hua Hsien (TW)

Primary Examiner — Robin V Webster

(73) Assignee: **Shin Tai Spurt Water of the Garden Tools Co., Ltd.**, Chang-Hua Hsien (TW)

(57) **CLAIM**

The ornamental design for a garden sprayer, as shown and described.

(**) Term: **14 Years**

DESCRIPTION

(21) Appl. No.: **29/450,344**

FIG. 1 is a perspective view of a garden sprayer showing my new design;

(22) Filed: **Mar. 17, 2013**

FIG. 2 is a front elevational view thereof;

(51) **LOC (10) Cl.** **23-01**

FIG. 3 is a rear elevational view thereof;

(52) **U.S. Cl.**

FIG. 4 is a left side elevational view thereof;

USPC **D23/223**

FIG. 5 is a right side elevational view thereof;

(58) **Field of Classification Search**

FIG. 6 is a top plan view thereof;

USPC D23/213, 223, 226; 239/525–527

FIG. 7 is a bottom plan view thereof;

See application file for complete search history.

FIG. 8 is a perspective schematic view illustrating an application of a garden sprayer showing my design; and,

(56) **References Cited**

FIG. 9 is another perspective schematic view illustrating an application of a garden sprayer showing my design.

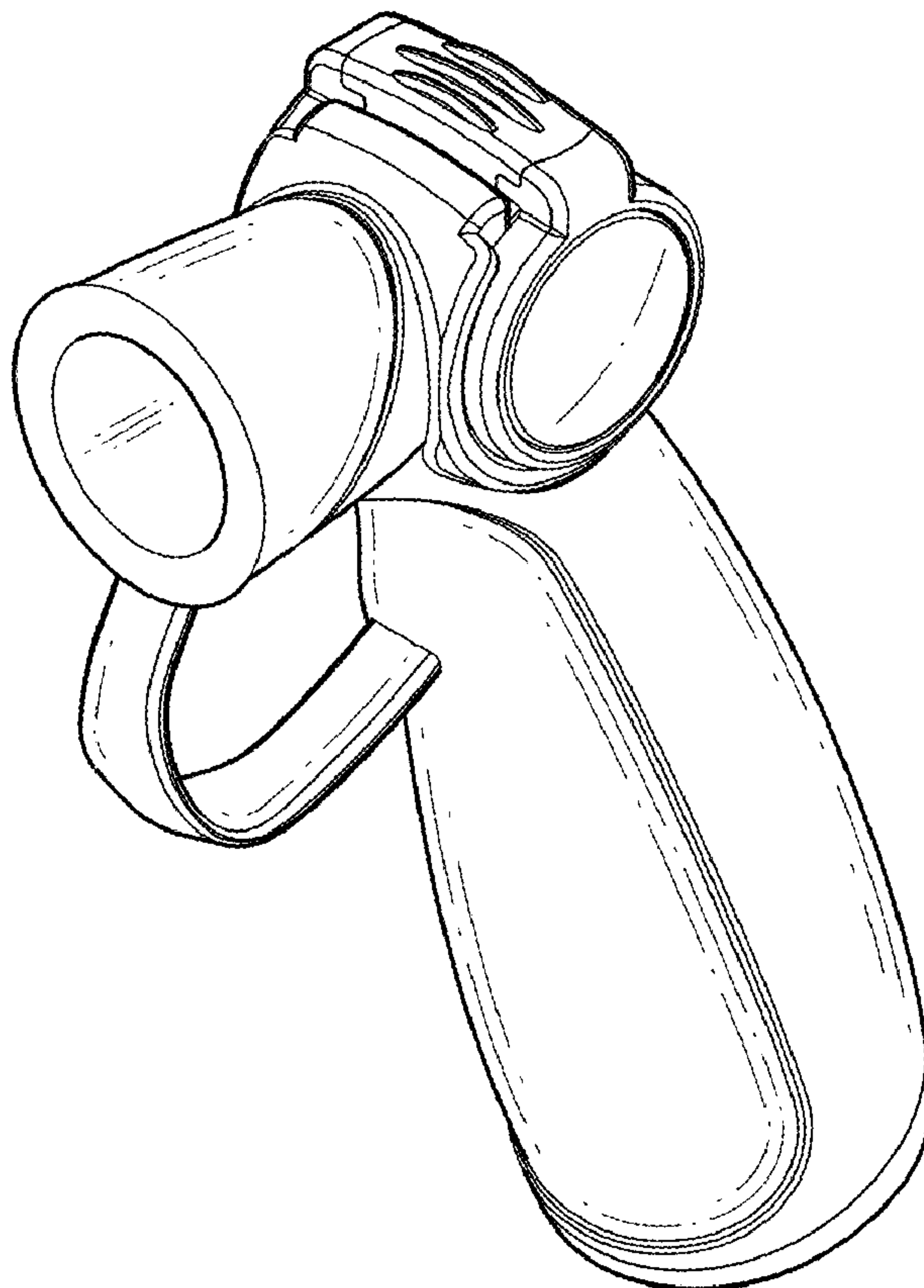
U.S. PATENT DOCUMENTS

The broken lines in FIGS. 8-9 are for illustrative purposes only and form no part of the claimed design.

D472,303 S * 3/2003 Presman et al. D23/223

D502,533 S * 3/2005 Chen D23/226

1 Claim, 6 Drawing Sheets



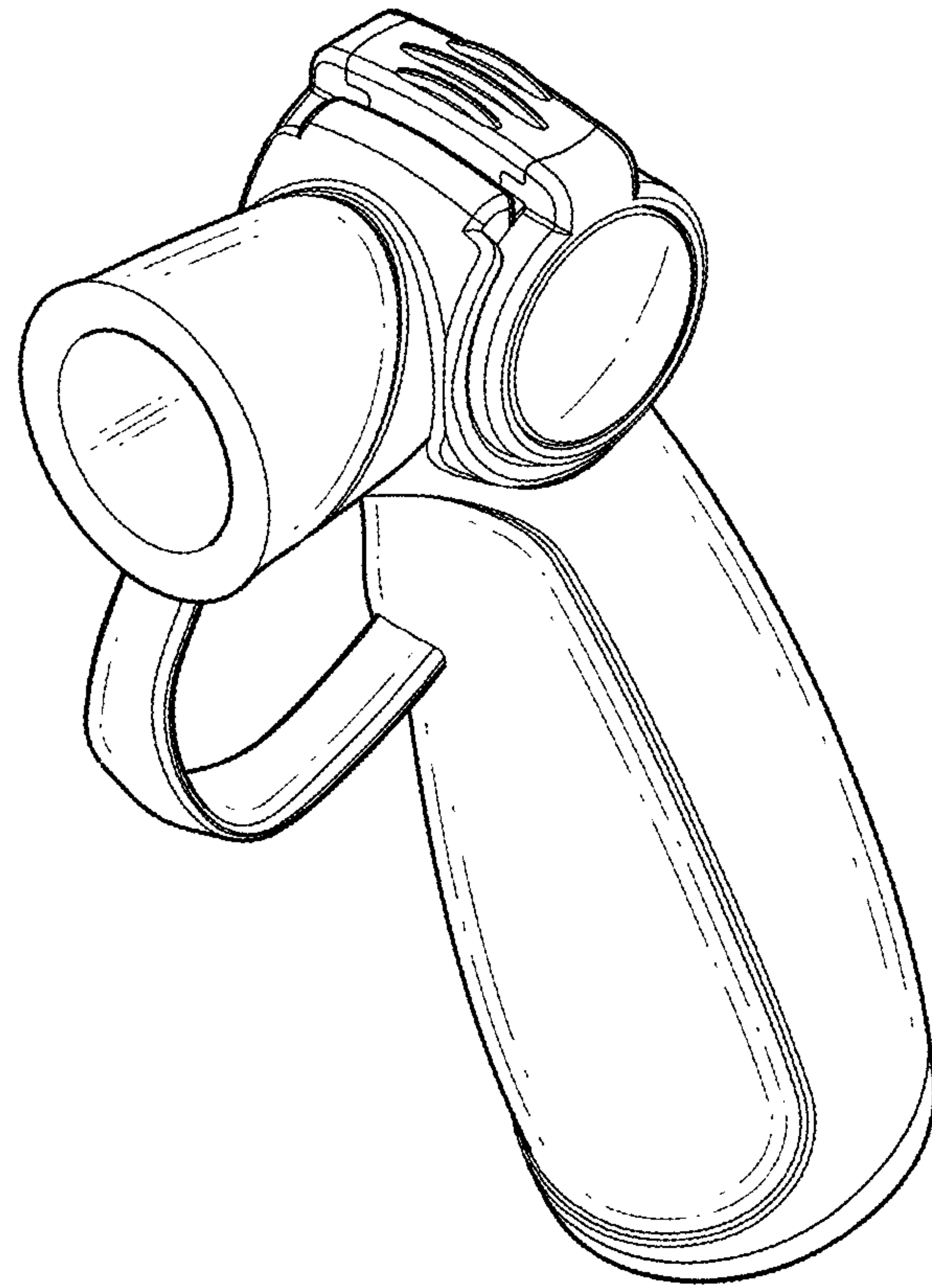


FIG. 1

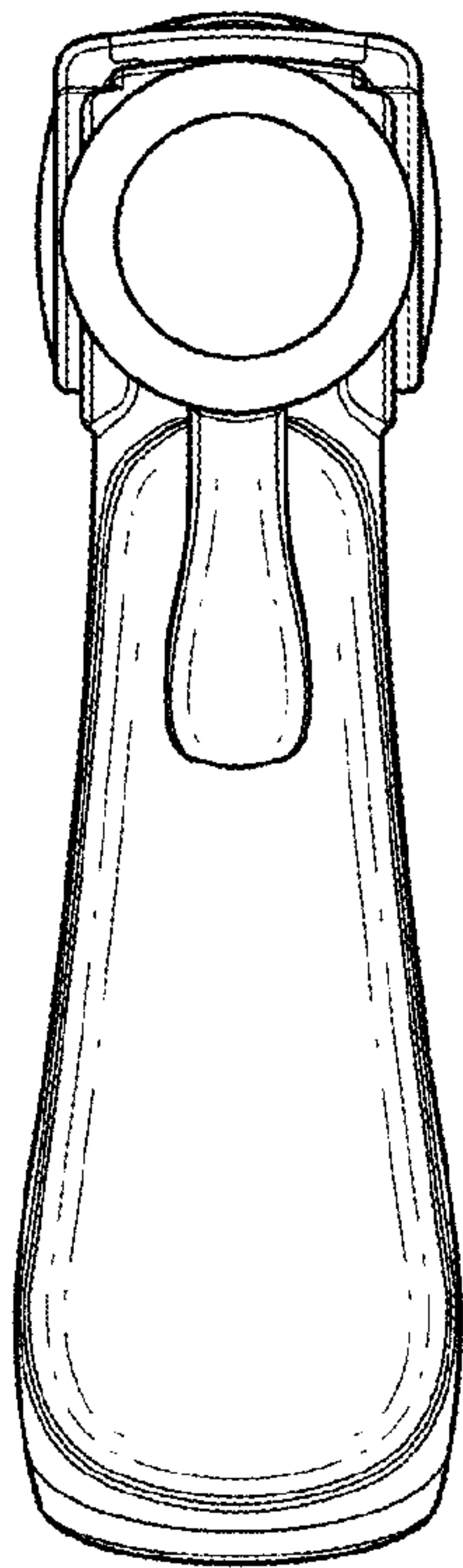


FIG. 2

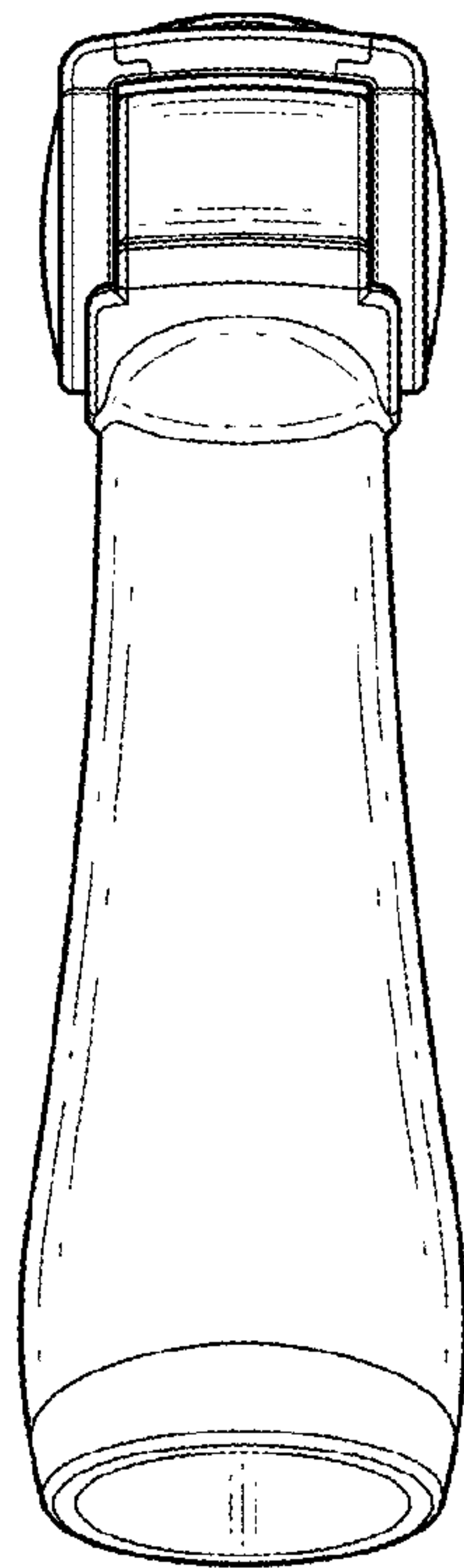


FIG. 3

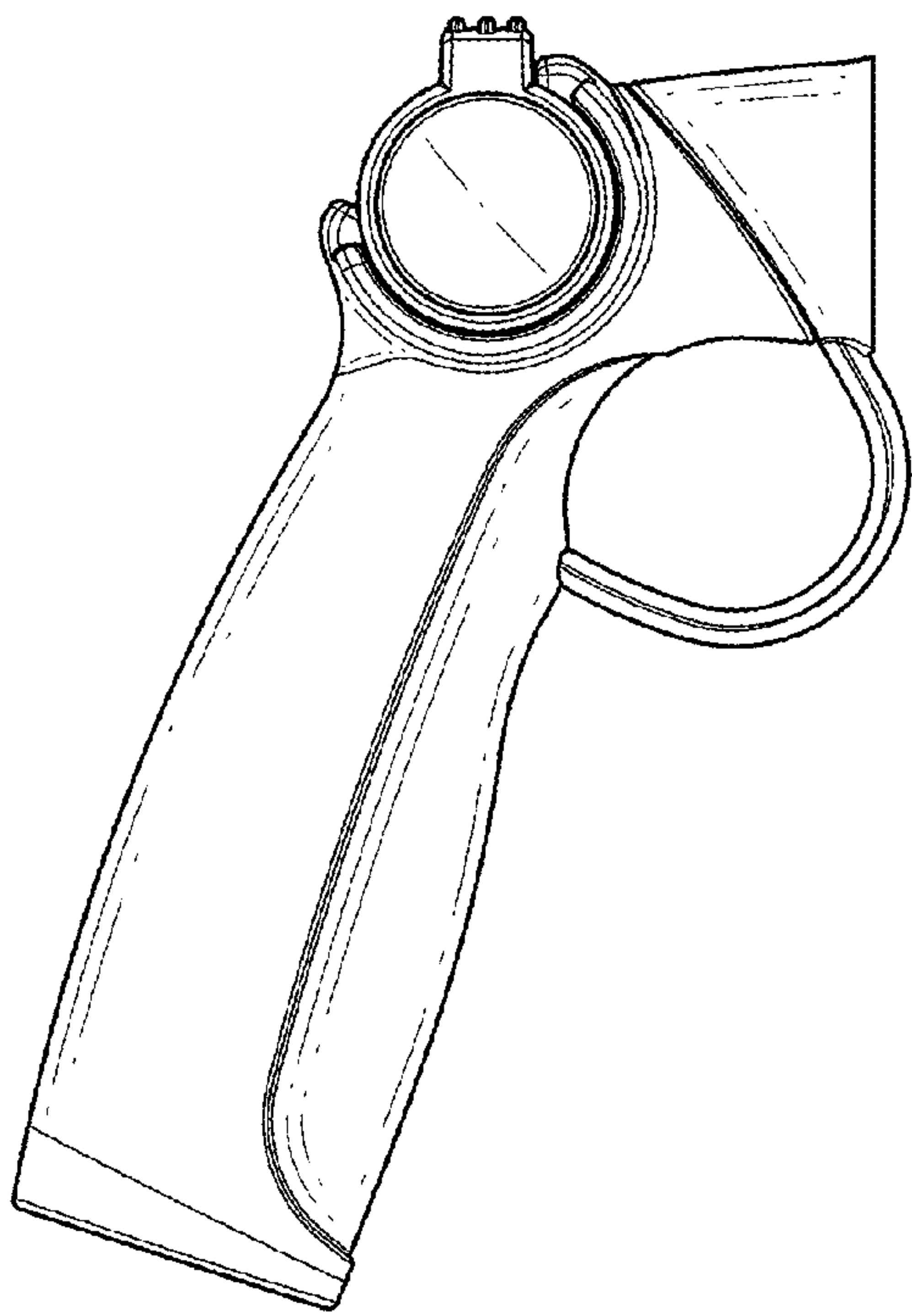


FIG. 4

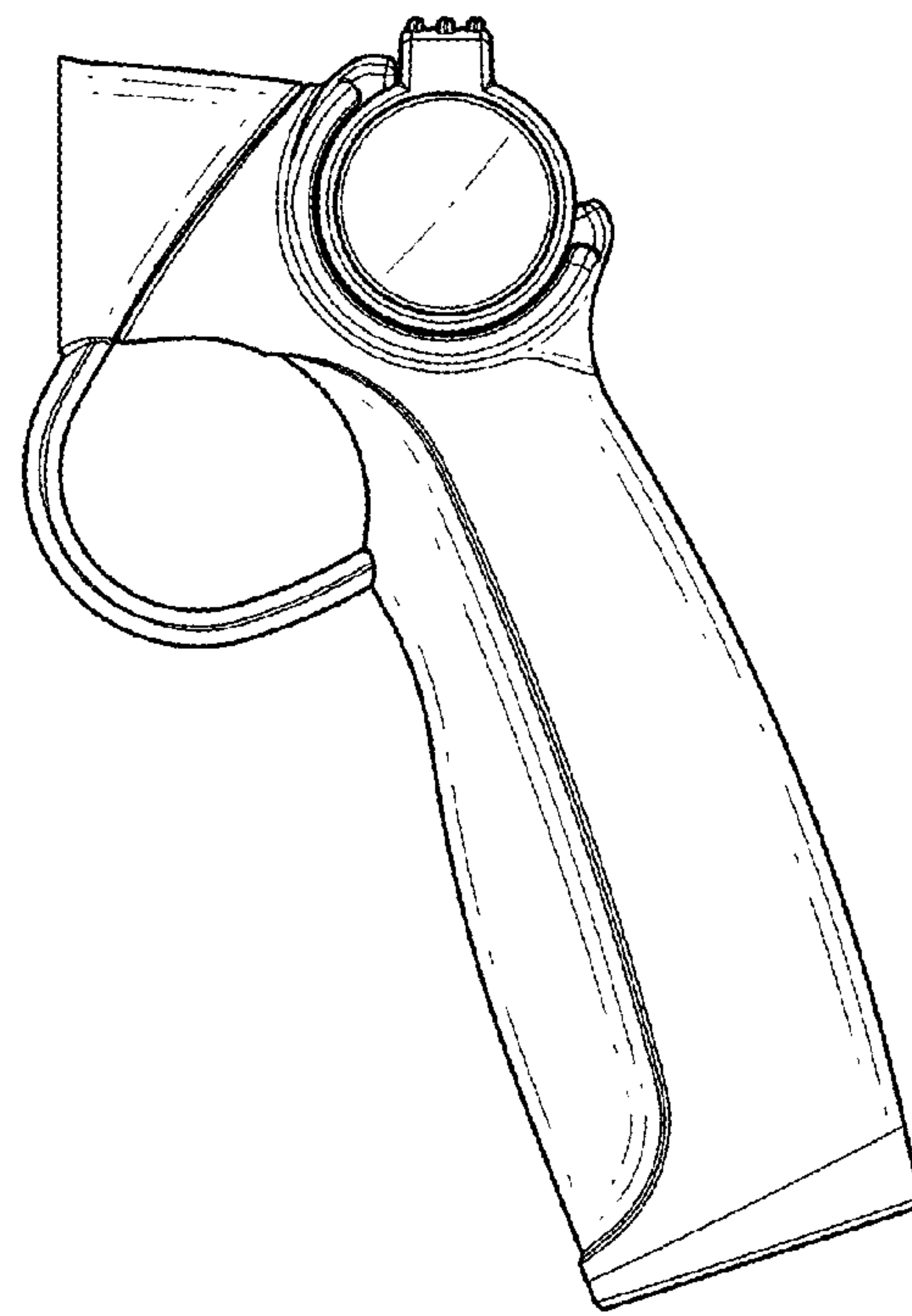


FIG. 5

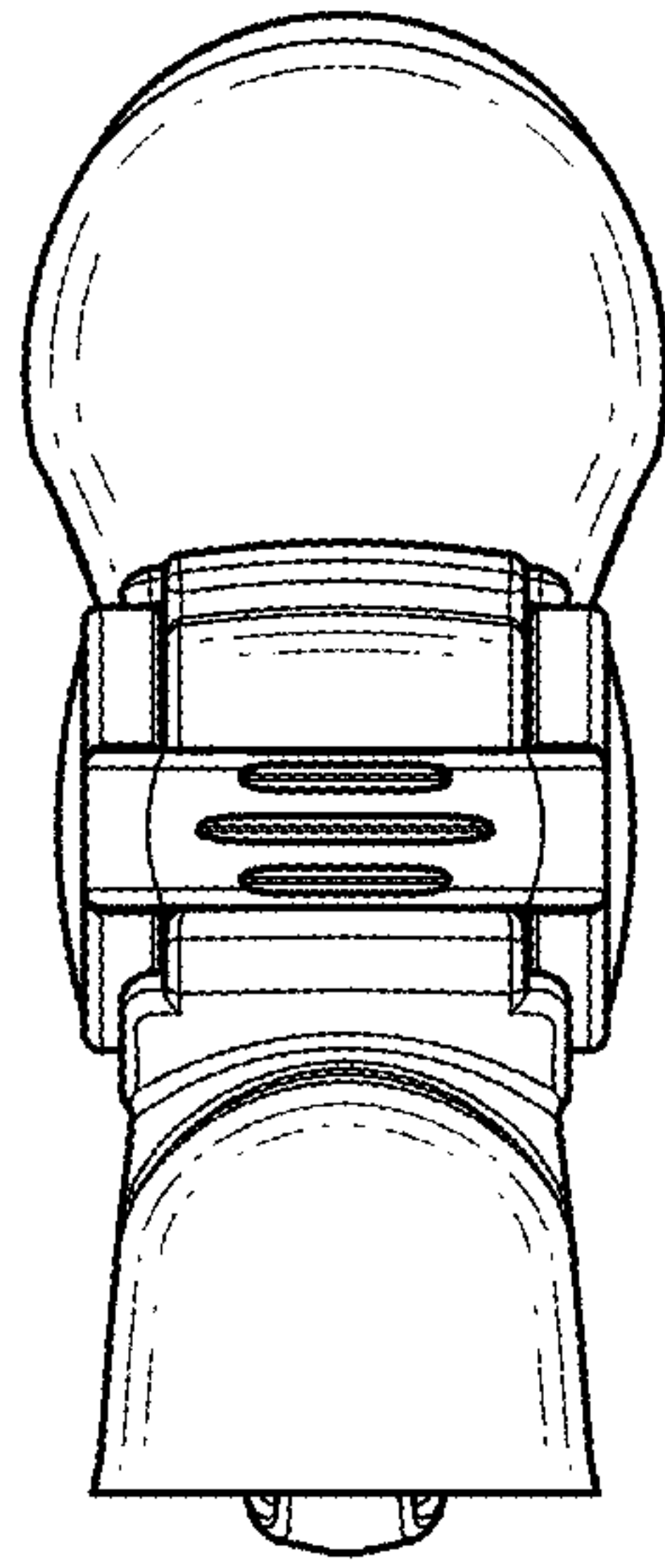


FIG. 6

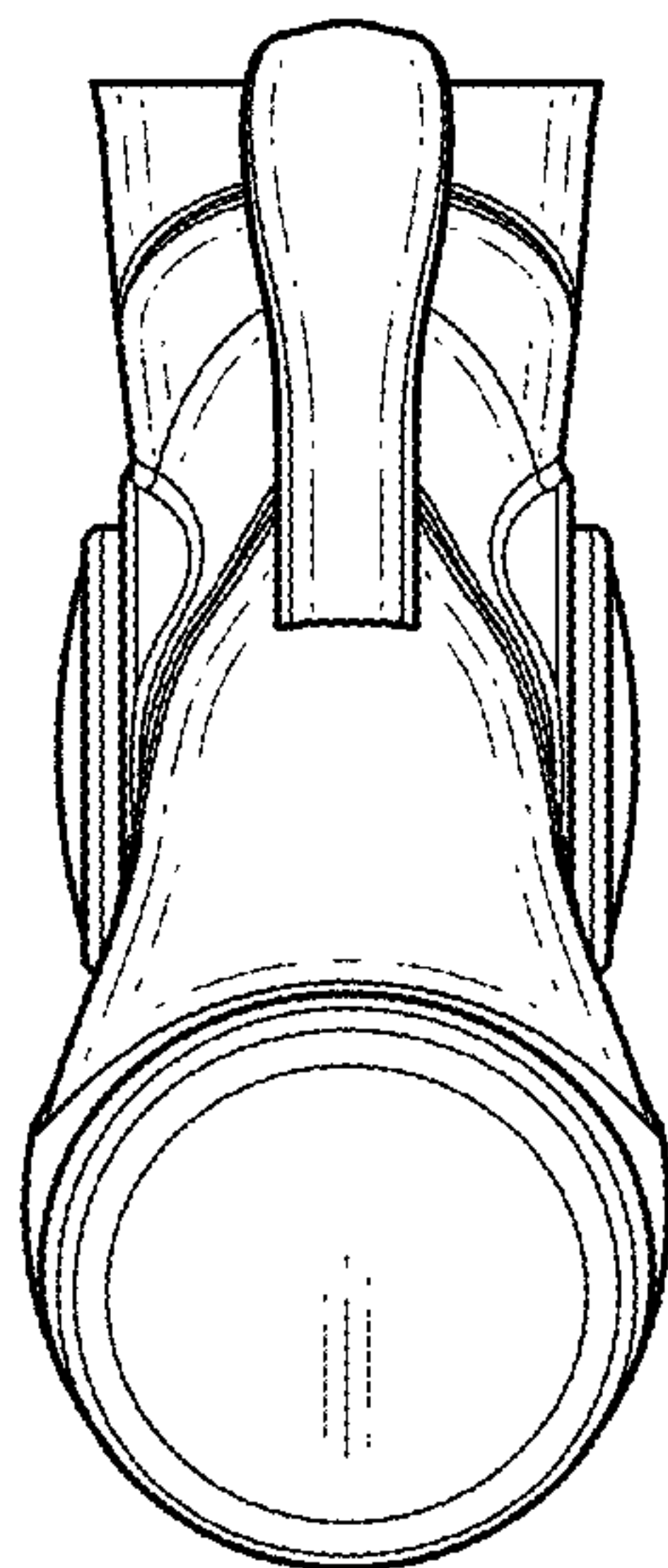


FIG. 7

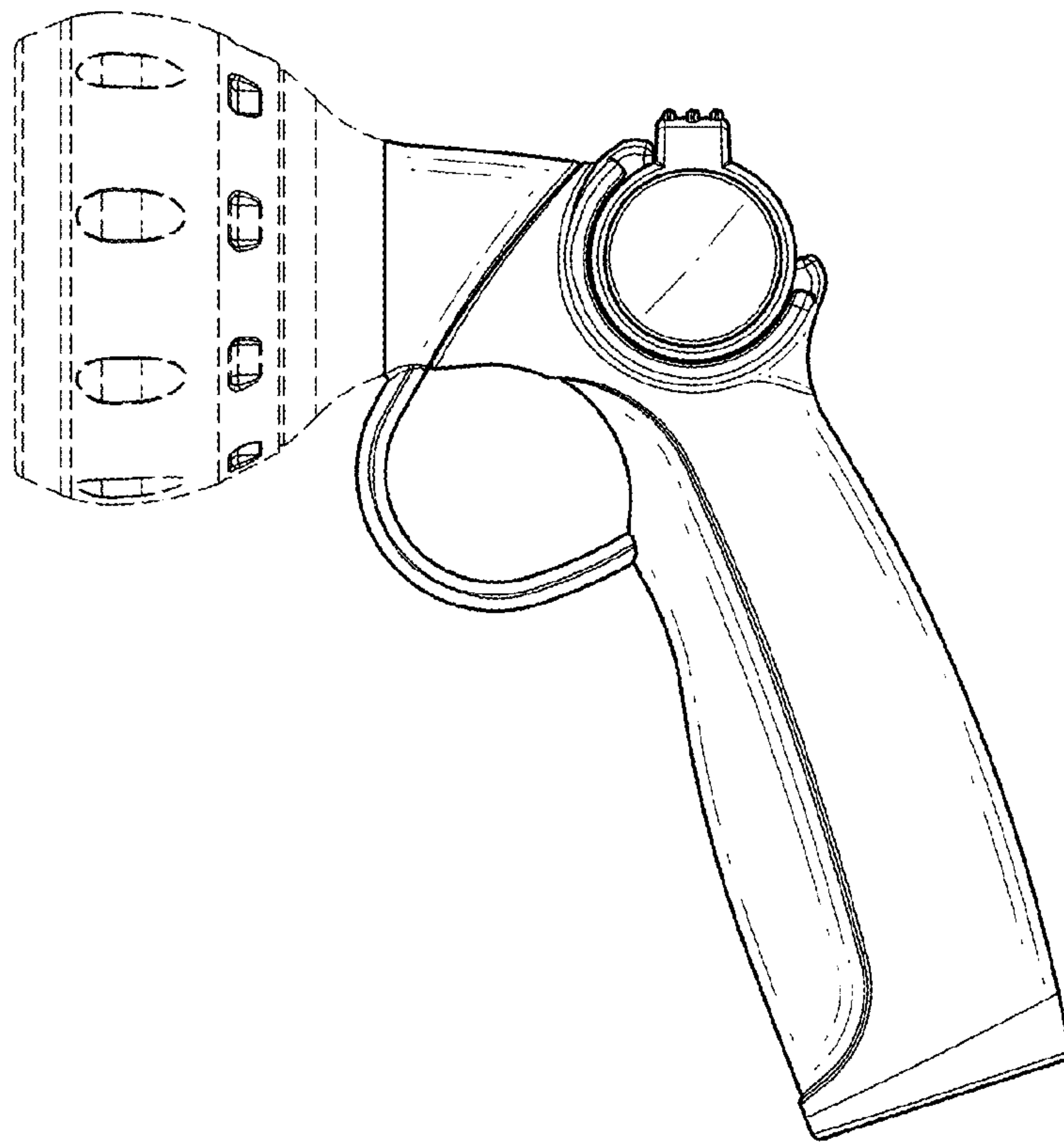


FIG. 8

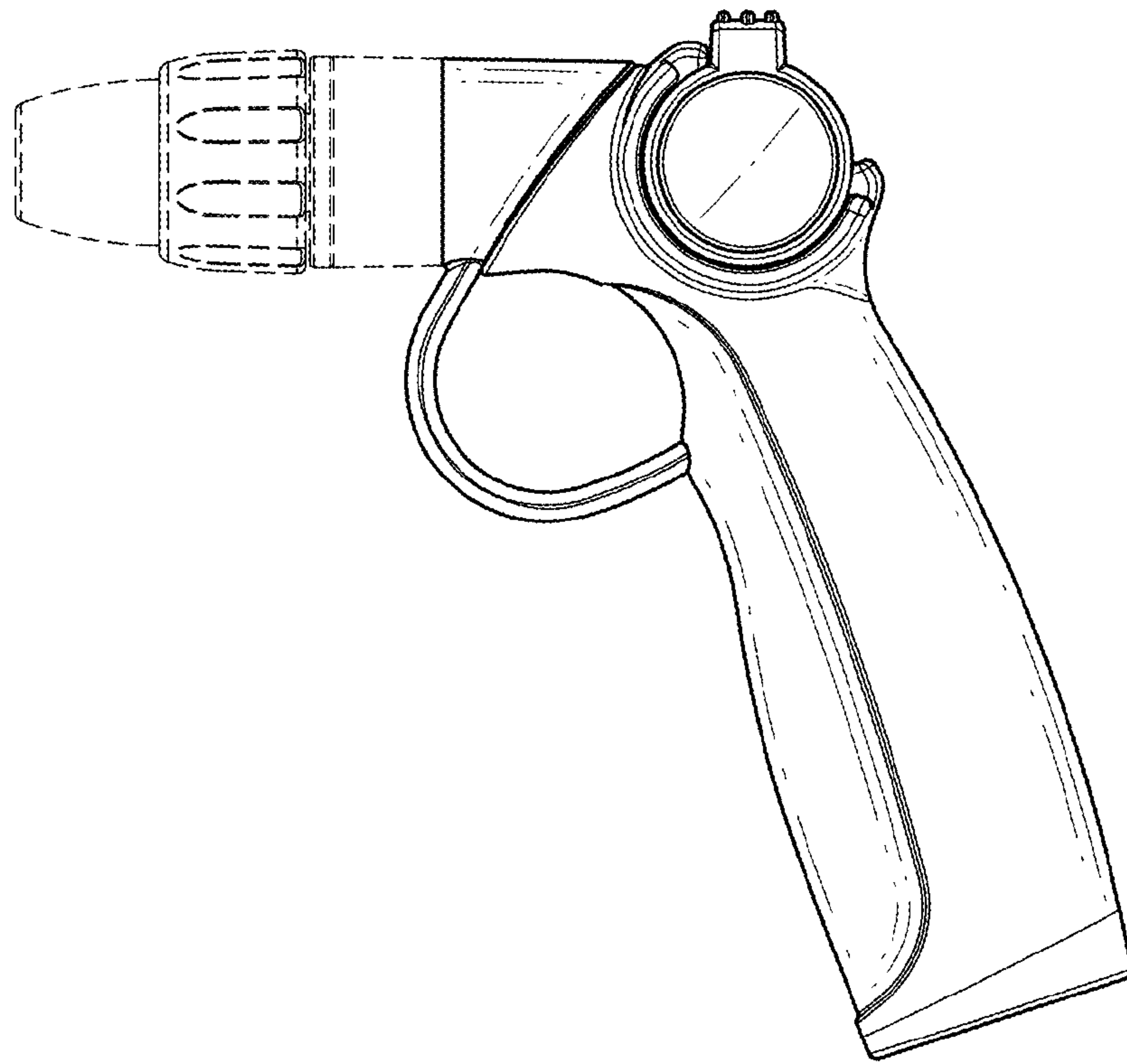


FIG. 9